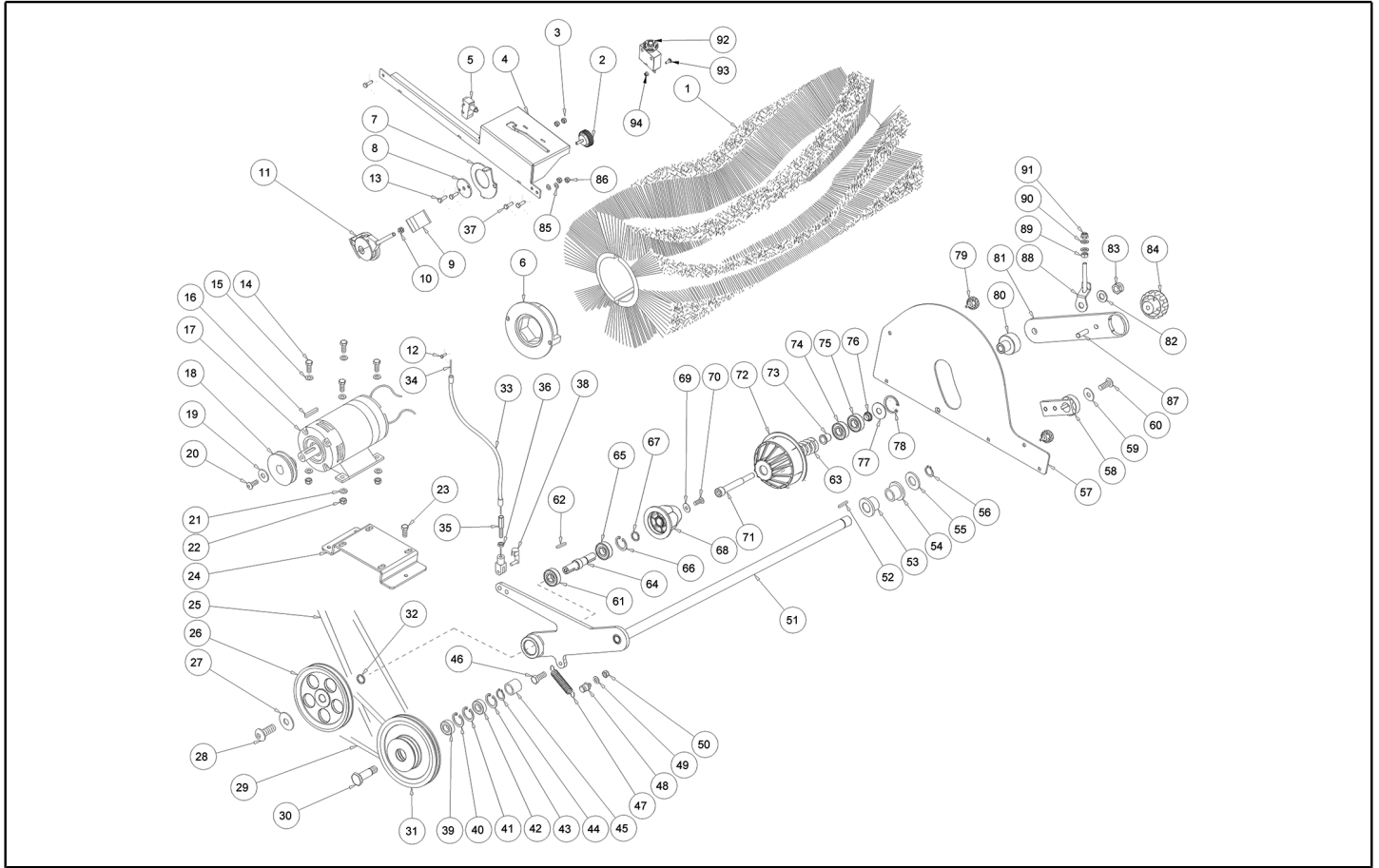




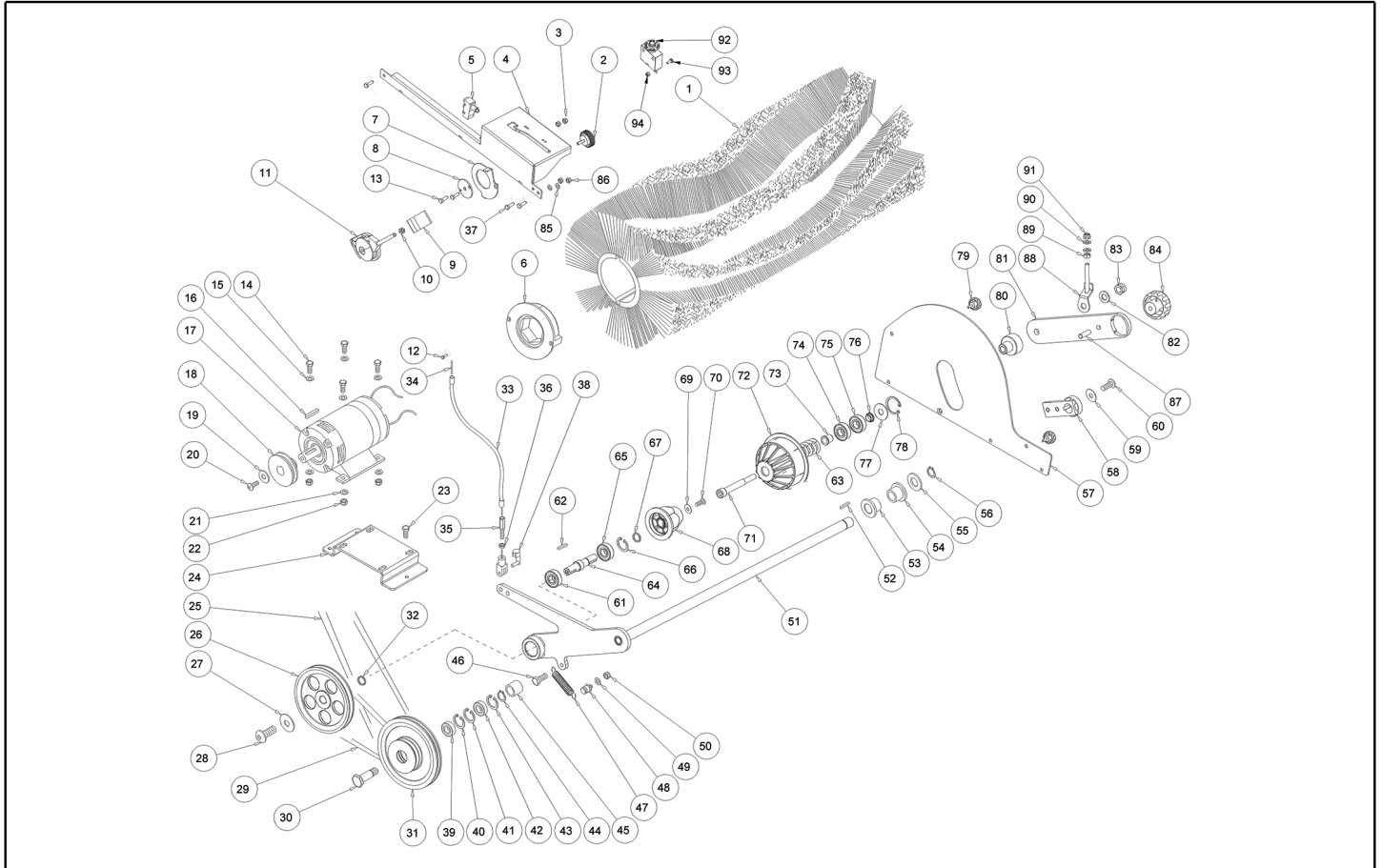
**IPC**

**Spare Parts List**

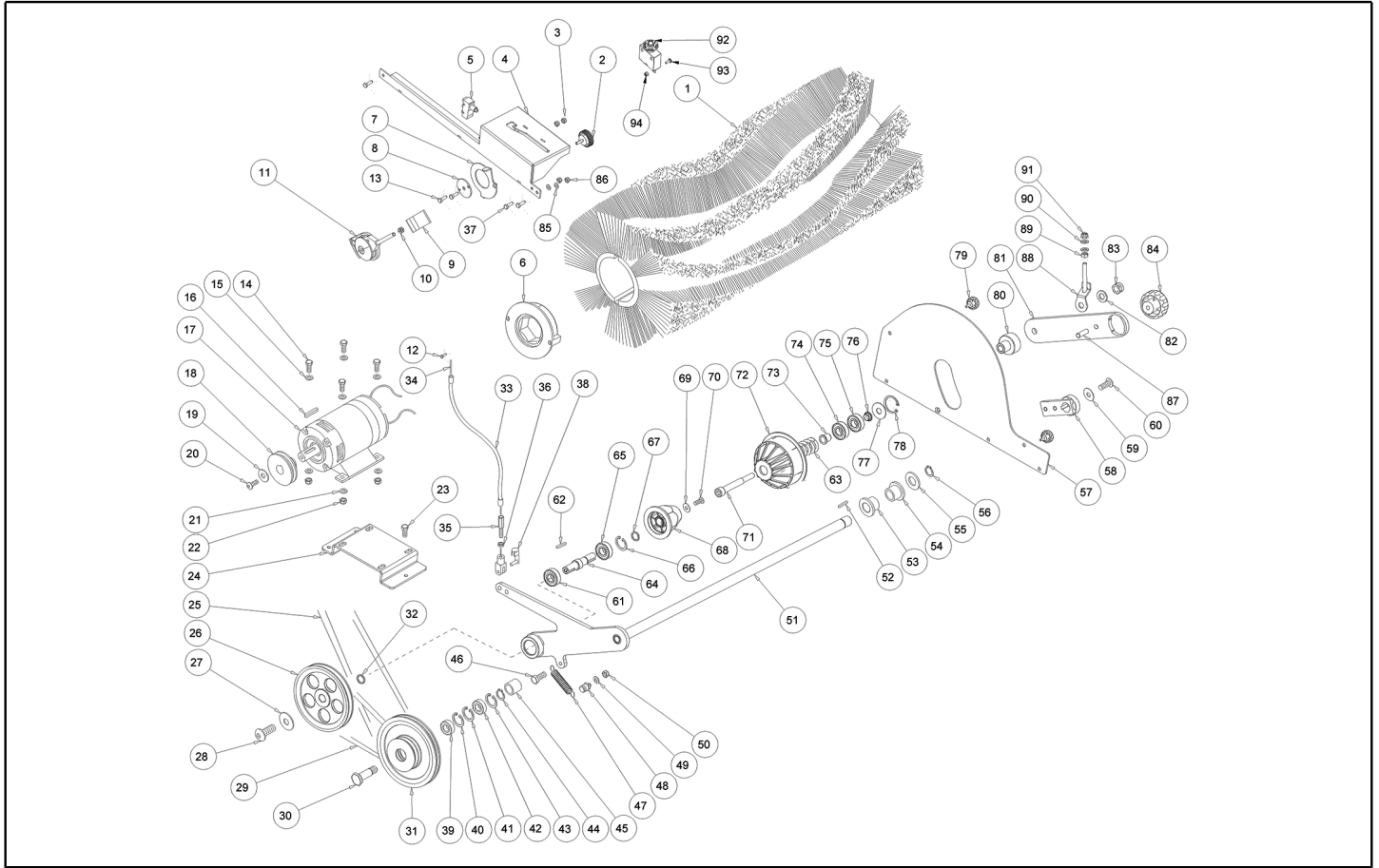
Ref: MSUB00629  
Model: BALAYEUSE 1250 E



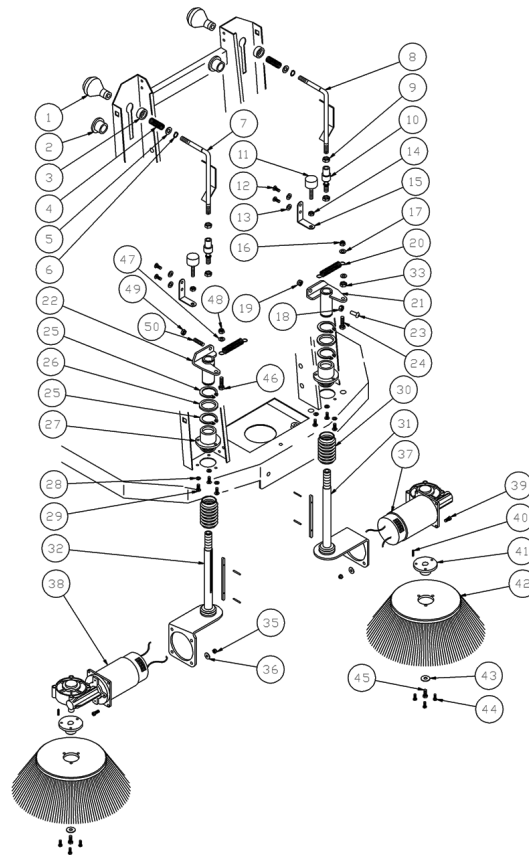
| Ref. K | Part N.   | Customer Part N. | Description                        | Quantity | Validity |    | Price |
|--------|-----------|------------------|------------------------------------|----------|----------|----|-------|
|        |           |                  |                                    |          | From     | To |       |
| 0001   | SPPV75791 | 1350024          | BROSSE CENTRALE 680 TK1000 PPL     | 1,00     |          |    | --    |
| 0002   | VTVT00125 | 1320106          | PETIT VOLANT D.40 M6X15            | 1,00     |          |    | --    |
| 0003   | VTDD00491 |                  | ECROU M 6 TEF                      | 2,00     |          |    | --    |
| 0004   | LAFN08182 |                  | LEVIER -                           | 1,00     |          |    | --    |
| 0005   | MECI75801 | 1380001          | MICROINTERRUPT. TK                 | 1,00     |          |    | --    |
| 0006   | LAFN45099 | 22501036         | DISQUE D'ENTR. TK1400              | 1,00     |          |    | --    |
| 0007   | LAFN08186 |                  | TOLE -                             | 1,00     |          |    | --    |
| 0008   | LAFN08176 |                  | EPAISSEUR -                        | 1,00     |          |    | --    |
| 0009   | CMCV33356 | RP33356          | LEVIER MANOEUV. INOX C/POM.SX NRO  | 1,00     |          |    | --    |
| 0010   | VTDD00483 | 05092            | ECROU M 8 ZIN UNI 5588             | 1,00     |          |    | --    |
| 0011   | CMCV33356 | RP33356          | LEVIER MANOEUV. INOX C/POM.SX NRO  | 1,00     |          |    | --    |
| 0012   | VTVT34115 | 75019            | VIS TE M 5X 10 UNI 5739            | 1,00     |          |    | --    |
| 0013   | VTVT00444 | 05012            | VIS TE 6X20 UNI5739                | 2,00     |          |    | --    |
| 0014   | VTVT00448 | 05156            | VIS TE 8X30 UNI5739                | 4,00     |          |    | --    |
| 0015   | VTRS00504 | 05242            | RONDELLE D. 8 TE ZC. UNI 6592      | 4,00     |          |    | --    |
| 0016   | VTVR13165 | 1105467          | CLE UNI 6604 5X5X20                | 1,00     |          |    | --    |
| 0017   | MOCC87164 | 1340015          | MOTEUR MP80 5/2 24V 3500G          | 1,00     |          |    | --    |
| 0018   | MTPL00215 |                  | POULIE -                           | 1,00     |          |    | --    |
| 0019   | VTRS63242 | 1105325          | RONDELLE UNI 6593 6X24X2 ZB        | 1,00     |          |    | --    |
| 0020   | VTVT01531 | 05259            | VIS TE 6X 16 UNI 5739              | 1,00     |          |    | --    |
| 0021   | VTRS00504 | 05242            | RONDELLE D. 8 TE ZC. UNI 6592      | 4,00     |          |    | --    |
| 0022   | VTDD00124 | SL05001          | ECROU M 8 BASSO                    | 4,00     |          |    | --    |
| 0023   | VTVT62920 | 1105162          | VIS TE FR 6X16 ZB ZIGRINATE        | 3,00     |          |    | --    |
| 0024   | LAFN08171 |                  | TOLE TK1000                        | 1,00     |          |    | --    |
| 0025   | MTCG00139 |                  | COURROIE -                         | 1,00     |          |    | --    |
| 0026   | MTPL75998 | 22501001         | POULIE SW1000                      | 1,00     |          |    | --    |
| 0027   | VTRS00513 | 1105327          | RONDELLE UNI 6593 8X32X2,5 ZB      | 1,00     |          |    | --    |
| 0028   | VTVT87271 | 1105239          | VIS TBCE ISO 7380 8X16 ZB          | 1,00     |          |    | --    |
| 0029   | MTCG00138 |                  | COURROIE -                         | 1,00     |          |    | --    |
| 0030   | LAFN00465 | 22301010         | PIVOT FISSAG.PULEGGIA RINVIO       | 1,00     |          |    | --    |
| 0031   | MTPL75999 | 22501008         | POULIE SWEPP1000ET                 | 1,00     |          |    | --    |
| 0032   | LAFN06823 |                  | ENTRETOISE L.14                    | 1,00     |          |    | --    |
| 0033   | CMCV75904 | 21251000         | GAINE FREINE TK 1000E/S            | 1,00     |          |    | --    |
| 0034   | CMCV00451 |                  | CABLE -                            | 1,00     |          |    | --    |
| 0035   | LAFN76659 | 22301012         | PIVOT                              | 1,00     |          |    | --    |
| 0036   | VTDD86871 | 1105127          | ECROU UNI 5589 M7 ZB               | 1,00     |          |    | --    |
| 0037   | VTVT62920 | 1105162          | VIS TE FR 6X16 ZB ZIGRINATE        | 3,00     |          |    | --    |
| 0038   | CMCV75718 | 11051101         | AGRAFE UNI 1676 M8                 | 1,00     |          |    | --    |
| 0039   | CUVR00005 | 1390009          | ROULEMENT 6202 2RS                 | 1,00     |          |    | --    |
| 0040   | VTAE17002 | SL11033          | BAGUE D'ARRET D. 35 UNI 7437       | 1,00     |          |    | --    |
| 0041   | VTAE17002 | SL11033          | BAGUE D'ARRET D. 35 UNI 7437       | 1,00     |          |    | --    |
| 0042   | CUVR00005 | 1390009          | ROULEMENT 6202 2RS                 | 1,00     |          |    | --    |
| 0043   | VTAE17002 | SL11033          | BAGUE D'ARRET D. 35 UNI 7437       | 1,00     |          |    | --    |
| 0044   | VTAE17003 | 1105405          | BAGUE D'ARRET ESTERNO DIN 471 D.15 | 1,00     |          |    | --    |



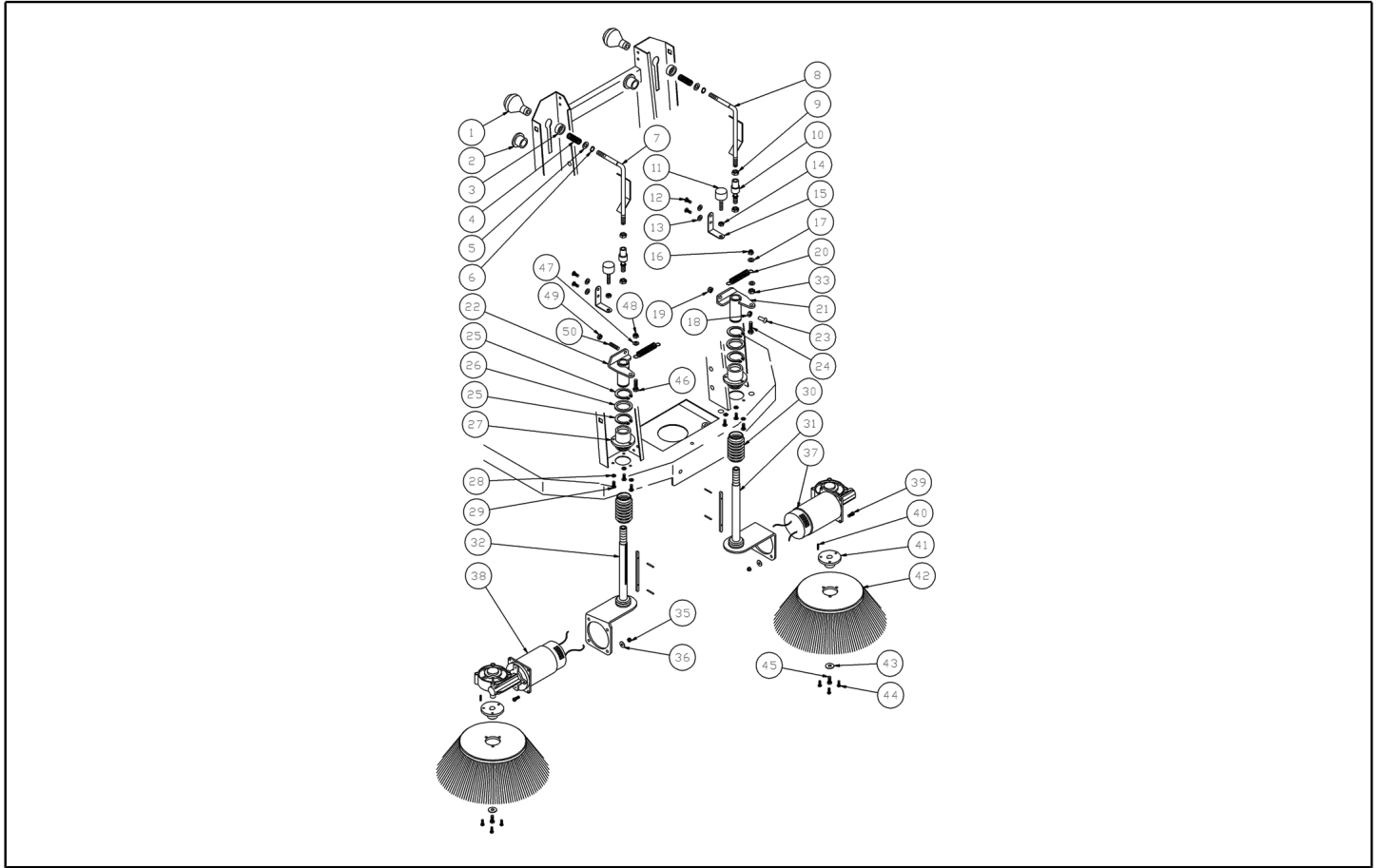
| Ref. K | Part N.   | Customer Part N. | Description                       | Quantity | Validity   |            | Price |
|--------|-----------|------------------|-----------------------------------|----------|------------|------------|-------|
|        |           |                  |                                   |          | From       | To         |       |
| 0045   | LAFN00091 | 21101024         | DOUILLE PER PULEGGIA TRAINO       | 1,00     |            |            | --    |
| 0046   | VTVT63129 | 1105181          | VIS TE FR 8X16 ZB ZIGRINATE       | 1,00     |            |            | --    |
| 0047   | MLML87162 | 2205009          | RESSORT D. 17X150 X 2             | 1,00     |            |            | --    |
| 0048   | LAFN00464 | 22301008         | PIVOT MOLLA RITORN.SPAZZ.CENTR.   | 1,00     |            |            | --    |
| 0049   | VTRS00504 | 05242            | RONDELLE D. 8 TE ZC. UNI 6592     | 1,00     |            |            | --    |
| 0050   | VTDD00124 | SL05001          | ECROU M 8 BASSO                   | 1,00     |            |            | --    |
| 0051   | LAFN08197 |                  | BRAS -                            | 1,00     |            |            | --    |
| 0052   | VTVR28706 | 1105472          | CLE UNI 6604 6X6X20               | 1,00     |            |            | --    |
| 0053   | MPVR85319 | 21101013         | DOUILLE SW1000 NYL 21101013       | 1,00     |            |            | --    |
| 0054   | MPVR85319 | 21101013         | DOUILLE SW1000 NYL 21101013       | 1,00     |            |            | --    |
| 0055   | VTRS00509 | 05115            | RONDELLE D.20 PIANA Z. UNI6592    | 1,00     |            |            | --    |
| 0056   | VTAE06193 | RP06193          | BAGUE D'ARRET D. 20 UNI 7435      | 1,00     |            |            | --    |
| 0057   | LAFN36064 |                  | FERMETURE BRUSH COMPARTMENT       | 1,00     |            |            | --    |
| 0058   | LAFN00699 | 22601027         | BLOCAGE BRACCIO BLOC.SPAZZ.TK1000 | 1,00     |            |            | --    |
| 0059   | VTRS00514 | 1105367          | RONDELLE UNI 6593 10X30X2,5 ZB    | 1,00     |            |            | --    |
| 0060   | VTVT47025 | 1105232          | VIS TBCE ISO 7380 10X16 ZB        | 1,00     |            |            | --    |
| 0061   | CUVR17004 | SL12018          | ROULEM.A BILLES 6202 -2RS1        | 1,00     |            |            | --    |
| 0062   | VTVR13165 | 1105467          | CLE UNI 6604 5X5X20               | 1,00     |            |            | --    |
| 0063   | MLML00295 |                  | RESSORT SPAZZOLA CENTRALE         | 1,00     |            |            | --    |
| 0064   | LAFN08198 |                  | ARBRE -                           | 1,00     |            |            | --    |
| 0065   | CUVR17004 | SL12018          | ROULEM.A BILLES 6202 -2RS1        | 1,00     |            |            | --    |
| 0066   | VTAE17002 | SL11033          | BAGUE D'ARRET D. 35 UNI 7437      | 1,00     |            |            | --    |
| 0067   | LAFN06823 |                  | ENTRETOISE L.14                   | 1,00     |            |            | --    |
| 0068   | MPVR04915 |                  | MOYEU TRASCINATORE SPAZZ. CENT.   | 1,00     |            |            | --    |
| 0069   | VTRS04026 |                  | RONDELLE D. 6X18X2,38             | 1,00     |            |            | --    |
| 0070   | VTVT62920 | 1105162          | VIS TE FR 6X16 ZB ZIGRINATE       | 1,00     |            |            | --    |
| 0071   | VTVT01128 |                  | VIS TCCE UNI 5931 12X120 ZB       | 1,00     |            |            | --    |
| 0072   | MPVR04923 |                  | SUPPORT SPAZZOLA CENTRALE         | 1,00     |            |            | --    |
| 0073   | LAFN06782 |                  | DOUILLE PER CUSCINETTO            | 1,00     |            |            | --    |
| 0074   | CUVR17004 | SL12018          | ROULEM.A BILLES 6202 -2RS1        | 1,00     |            |            | --    |
| 0075   | CUVR17004 | SL12018          | ROULEM.A BILLES 6202 -2RS1        | 1,00     |            |            | --    |
| 0076   | LAFN06783 |                  | DOUILLE PER CUSCINETTO 1          | 1,00     |            |            | --    |
| 0077   | VTRS00553 |                  | RONDELLE PARAPOLVERE              | 1,00     |            |            | --    |
| 0078   | VTAE17002 | SL11033          | BAGUE D'ARRET D. 35 UNI 7437      | 1,00     |            |            | --    |
| 0079   | RTRT00022 | 1320018          | PETIT VOLANT D.30 M6X15           | 2,00     |            |            | --    |
| 0080   | LAFN06836 |                  | PIVOT CENTRAGGIO PROTEZIONE       | 1,00     |            | 03/09/2015 | --    |
| 0080   | LAFN09473 |                  | DOUILLE -                         | 1,00     | 04/09/2015 |            | --    |
| 0081   | LAFN08193 |                  | BRAS -                            | 1,00     |            |            | --    |
| 0082   | VTRS00506 | 05126            | RONDELLE D.12 UNI 6592            | 1,00     |            |            | --    |
| 0083   | VTDD00012 | 1105136          | ECROU AUTOBLOK DIN 985 M12 ZB     | 1,00     |            |            | --    |
| 0084   | VTVR00047 | 1320099          | PETIT VOLANT D.50 M8              | 1,00     |            |            | --    |
| 0085   | VTRS00504 | 05242            | RONDELLE D. 8 TE ZC. UNI 6592     | 2,00     |            |            | --    |
| 0086   | VTDD00491 |                  | ECROU M 6 TEF                     | 2,00     |            |            | --    |
| 0087   | VTVT00046 | 1105484          | VIS SANS TETE UNI 5923 8X35 ZB    | 1,00     |            |            | --    |



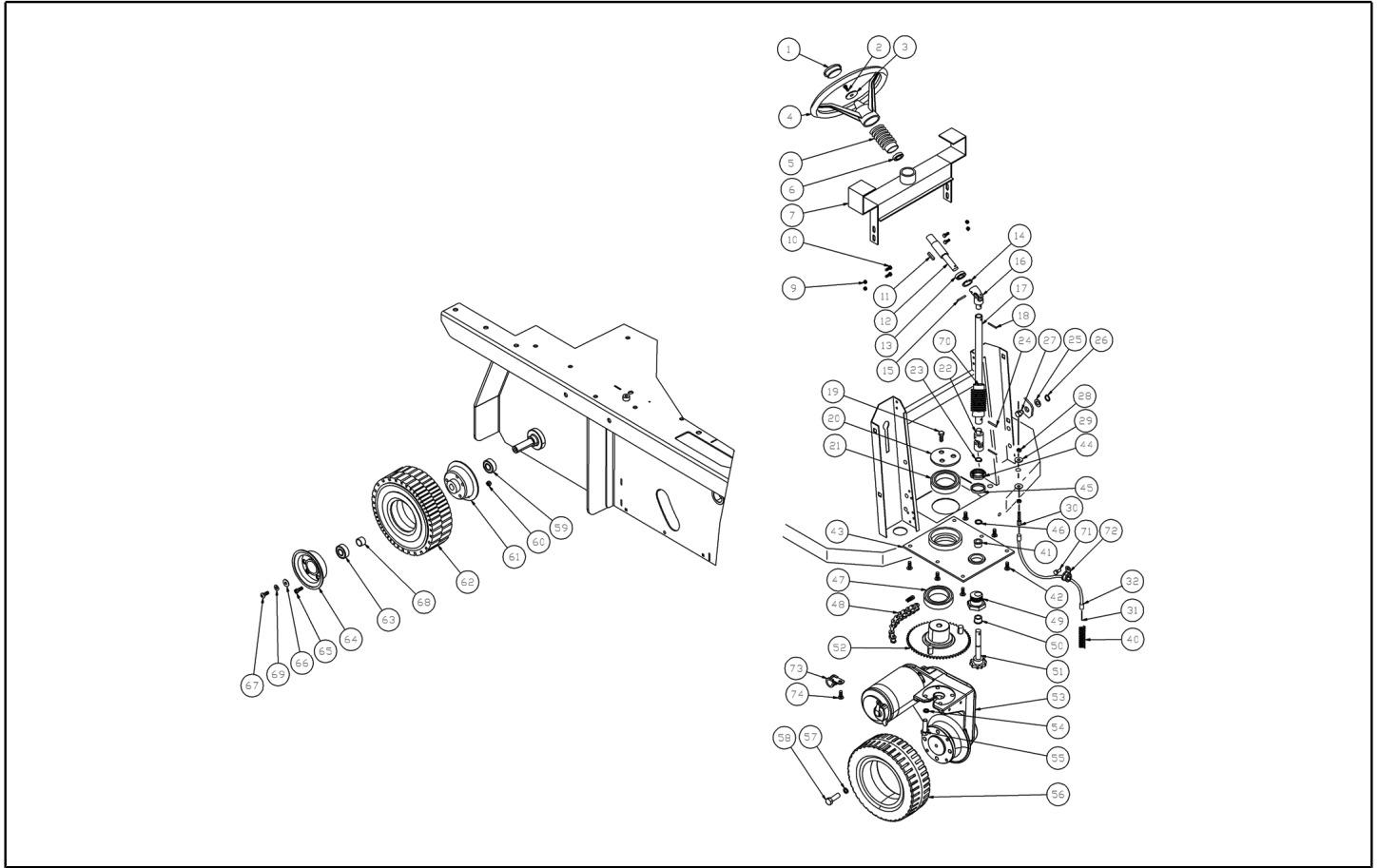
| Ref. K | Part N.   | Customer Part N. | Description                    | Quantity | Validity   |    | Price |
|--------|-----------|------------------|--------------------------------|----------|------------|----|-------|
|        |           |                  |                                |          | From       | To |       |
| 0088   | LAFN08826 |                  | REGLEUR -                      | 1,00     | 19/05/2015 |    | --    |
| 0089   | VTDD00483 | 05092            | ECROU M 8 ZIN UNI 5588         | 1,00     | 19/05/2015 |    | --    |
| 0090   | VTRS00504 | 05242            | RONDELLE D. 8 TE ZC. UNI 6592  | 2,00     | 19/05/2015 |    | --    |
| 0091   | VTDD00124 | SL05001          | ECROU M 8 BASSO                | 1,00     | 19/05/2015 |    | --    |
| 0092   | MEVR02899 |                  | FUSIBLE 35A                    | 1,00     | 13/12/2016 |    | --    |
| 0093   | VTVT00722 | SL04179          | VIS                            | 2,00     | 13/12/2016 |    | --    |
| 0094   | VTDD00210 |                  | ECROU M 3 AUTOBL.DIN 985 IX.A2 | 2,00     | 13/12/2016 |    | --    |



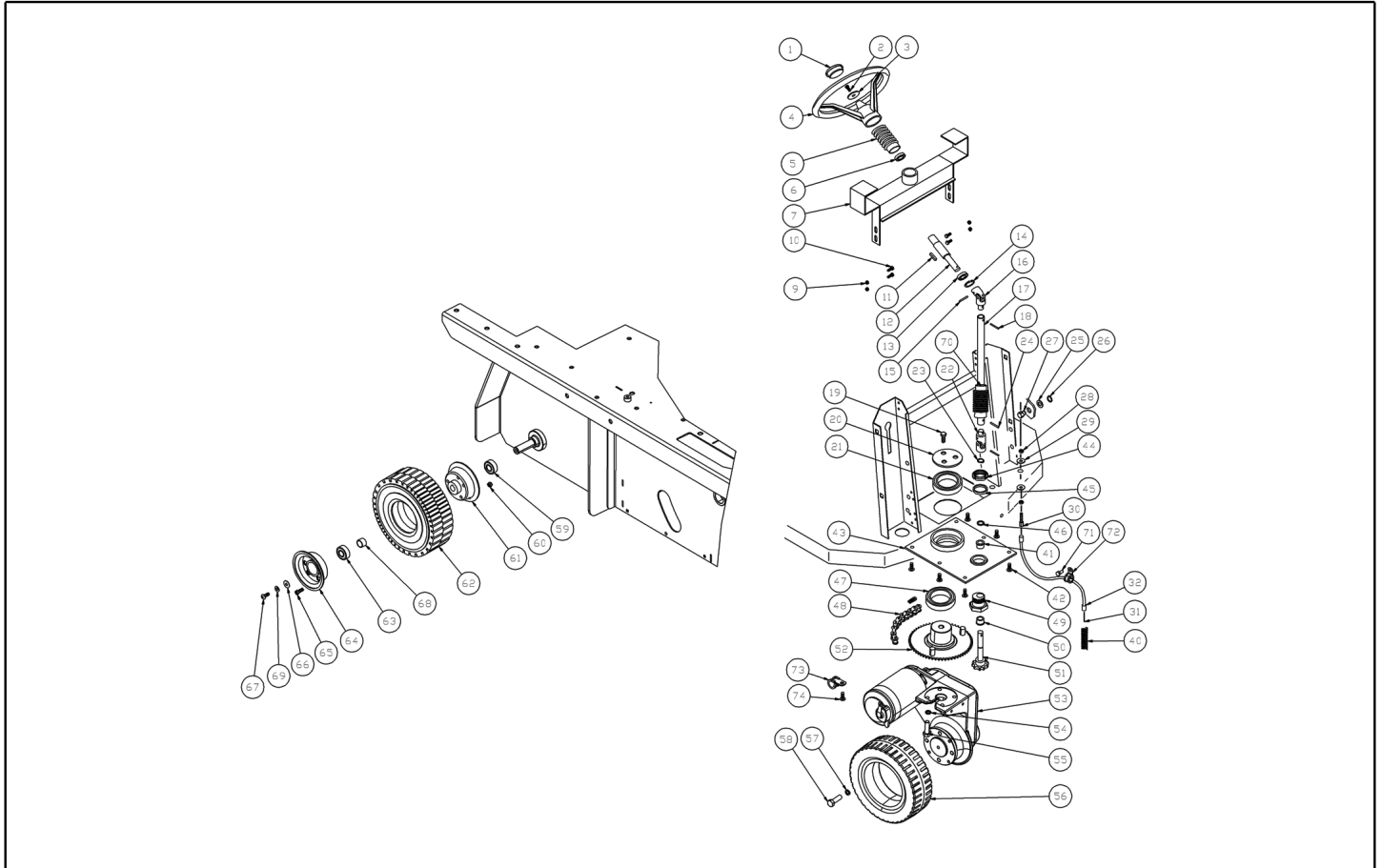
| Ref. K | Part N.   | Customer Part N. | Description                             | Quantity | Validity   |            | Price |
|--------|-----------|------------------|---|----------|------------|------------|-------|
|        |           |                  |   |          | From       | To         |       |
| 0001   | MPVR87264 | 23201008         | POIGNEE ALZASPAZZ.LAT.TK1000            | 2,00     |            |            | --    |
| 0002   | MPVR47076 | 21101016         | DOUILLE L.14 EXT.                       | 2,00     |            |            | --    |
| 0003   | MPVR47074 | 21101015         | DOUILLE L.14 INT.                       | 2,00     |            |            | --    |
| 0004   | MLML47075 | 22051004         | RESSORT D.15X 24 X1.5                   | 2,00     |            |            | --    |
| 0005   | VTRS00505 | 05116            | RONDELLE D.10 TE UNI 6592               | 2,00     |            |            | --    |
| 0006   | VTAE87276 | 1105410          | SEEGER EXT. D10 DIN471                  | 2,00     |            |            | --    |
| 0007   | LAFN00700 | 22601028         | BRAS DX ALZA SPAZ. TK1000 ZINC          | 1,00     |            |            | --    |
| 0008   | LAFN87265 | 22601030         | BRAS ALZASP.LAT.SX TK1000 ZN            | 1,00     |            |            | --    |
| 0009   | VTDD00484 | 05101            | ECROU M10 ZIN UNI 5588                  | 2,00     |            | 29/12/2014 | --    |
| 0009   | VTDD00008 | 1105129          | ECROU M10 UNI 5589 ZB                   | 4,00     | 30/12/2014 |            | --    |
| 0010   | VTVR47072 | 1155005          | JOINT A ROTULES ASSIALE M10             | 2,00     |            |            | --    |
| 0011   | MPVR75799 | 1370003          | PETIT PIED 20x9 M 6x18                  | 2,00     |            | 29/12/2014 | --    |
| 0011   | ABGO00008 | 1370012          | AMORTISSEUR PM 20X20 M6X20              | 2,00     | 30/12/2014 |            | --    |
| 0012   | VTVT75726 | 1105236          | VIS TBCE ISO 7380 6X16 ZB               | 4,00     |            |            | --    |
| 0013   | VTRS04026 |                  | RONDELLE D. 6X18X2.38                   | 4,00     |            |            | --    |
| 0014   | VTDD00482 | 05096            | ECROU M 6 ZIN UNI 5588                  | 2,00     |            |            | --    |
| 0015   | MPVR86579 | 21501101         | SUPPORT TK                              | 2,00     |            |            | --    |
| 0016   | VTDD00124 | SL05001          | ECROU M 8 BASSO                         | 2,00     |            |            | --    |
| 0017   | VTRS00504 | 05242            | RONDELLE D. 8 TE ZC. UNI 6592           | 2,00     |            |            | --    |
| 0018   | VTDD00483 | 05092            | ECROU M 8 ZIN UNI 5588                  | 1,00     |            |            | --    |
| 0019   | VTDD00124 | SL05001          | ECROU M 8 BASSO                         | 1,00     |            |            | --    |
| 0020   | MLML00015 | 22051006         | RESSORT RIT.BR.LAT.D.19X3,25X57zb       | 2,00     |            |            | --    |
| 0021   | LAFN08975 |                  | GUIDE -                                 | 1,00     |            |            | --    |
| 0022   | LAFN08974 |                  | GUIDE -                                 | 1,00     |            |            | --    |
| 0023   | VTVT00447 | 1105231          | VIS TBCE ISO 7380 8X22 ZB               | 1,00     |            |            | --    |
| 0024   | VTVT00447 | 05003            | VIS TE 8X25 UNI5739                     | 1,00     |            |            | --    |
| 0025   | VTAE12644 | 1105419          | BAGUE D'ARRET ESTERNO DIN 471 D.30      | 4,00     |            |            | --    |
| 0026   | LAFN47081 | 21301004         | ENTRETOISE L.14                         | 2,00     |            |            | --    |
| 0027   | LAFN08973 |                  | BRIDE -                                 | 2,00     |            |            | --    |
| 0028   | VTRS00504 | 05242            | RONDELLE D. 8 TE ZC. UNI 6592           | 6,00     |            |            | --    |
| 0029   | VTVT75725 | 1105234          | VIS TBCE ISO 7380 6X10 ZB               | 6,00     |            |            | --    |
| 0030   | MPVR47066 | 13201005         | PROTECTION L.14                         | 2,00     |            |            | --    |
| 0031   | LAFN08196 |                  | SUPPORT -                               | 1,00     |            |            | --    |
| 0032   | LAFN08195 |                  | SUPPORT -                               | 1,00     |            |            | --    |
| 0033   | VTDD00483 | 05092            | ECROU M 8 ZIN UNI 5588                  | 1,00     |            |            | --    |
| 0035   | VTDD00491 |                  | ECROU M 6 TEF                           | 8,00     |            | 10/11/2016 | --    |
| 0036   | VTRS00503 | 05118            | RONDELLE D. 6 TE UNI 6798               | 8,00     |            |            | --    |
| 0037   | RDGR75785 | 1340024          | MOTOREDUCTEUR AOMPI40 24V 90W SX TK1000 | 1,00     |            | 22/03/2015 | --    |
| 0037   | MOCC00443 |                  | MOTEUR LEFT SIDE BRUSH MOT.1250B        | 1,00     | 23/03/2015 |            | --    |
| 0038   | RDGR75784 | 1340016          | MOTOREDUCTEUR AOMPI40 24V 90W DX TK1000 | 1,00     |            | 22/03/2015 | --    |
| 0038   | MOCC00442 |                  | MOTEUR RIGHT SIDE BRUSH MOT.1250        | 1,00     | 13/03/2015 |            | --    |
| 0039   | VTVT06237 | 1105506          | VIS TCCE UNI 5931 6X20 ZB               | 8,00     |            | 10/11/2016 | --    |
| 0039   | VTVT09913 | 1105507          | VIS TCCE UNI 5931 6X16 ZB               | 8,00     | 11/11/2016 |            | --    |
| 0040   | VTVR33667 | 1105464          | CLE UNI 6604 5X5X25                     | 2,00     |            |            | --    |



| Ref. K | Part N.   | Customer Part N. | Description                    | Quantity | Validity |    | Price |
|--------|-----------|------------------|--------------------------------|----------|----------|----|-------|
|        |           |                  |                                |          | From     | To |       |
| 0041   | LAFN45010 | 21501005         | BRIDE L.1400 LT.               | 2,00     |          |    | --    |
| 0042   | SPPV00018 | 1350047          | BROSSE LATERALE TK1300/TK1200  | 2,00     |          |    | --    |
| 0043   | VTRS63242 | 1105325          | RONDELLE UNI 6593 6X24X2 ZB    | 2,00     |          |    | --    |
| 0044   | VTVT62920 | 1105162          | VIS TE FR 6X16 ZB ZIGRINATE    | 6,00     |          |    | --    |
| 0045   | VTVT00527 |                  | VIS TE FR 6X10 ZB ZIG.         | 2,00     |          |    | --    |
| 0046   | VTVT63129 | 1105181          | VIS TE FR 8X16 ZB ZIGRINATE    | 1,00     |          |    | --    |
| 0047   | VTRS00504 | 05242            | RONDELLE D. 8 TE ZC. UNI 6592  | 1,00     |          |    | --    |
| 0048   | VTDD00492 | 1105788          | ECROU AUTOBLOK DIN 982 M8 ALTO | 1,00     |          |    | --    |
| 0049   | VTDD00483 | 05092            | ECROU M 8 ZIN UNI 5588         | 1,00     |          |    | --    |
| 0050   | VTVT00046 | 1105484          | VIS SANS TETE UNI 5923 8X35 ZB | 1,00     |          |    | --    |

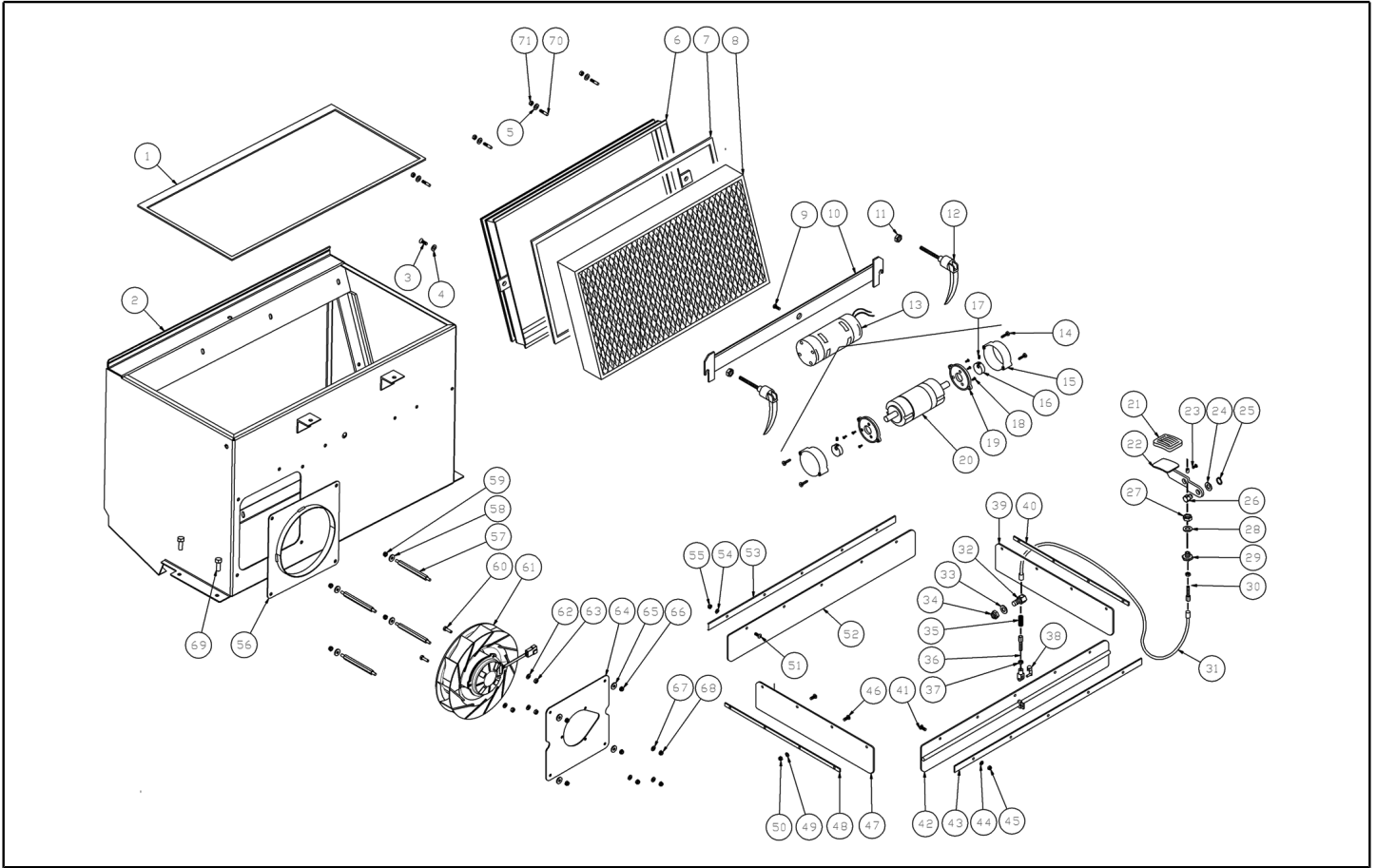


| Ref. K | Part N.   | Customer Part N. | Description                        | Quantity | Validity   |            | Price |
|--------|-----------|------------------|------------------------------------|----------|------------|------------|-------|
|        |           |                  |                                    |          | From       | To         |       |
| 0001   | MPVR47026 | 13201002         | BOUCHON NOIR L.14                  | 1,00     |            |            | --    |
| 0002   | VTVT47025 | 1105232          | VIS TBCE ISO 7380 10X16 ZB         | 1,00     |            |            | --    |
| 0003   | VTRS44254 | 1105329          | RONDELLE UNI 6593 10X40X2,5 ZB     | 1,00     |            |            | --    |
| 0004   | MPVR47027 | 13201001         | VOLANT D. 320 L.14                 | 1,00     |            |            | --    |
| 0005   | MPVR47066 | 13201005         | PROTECTION L.14                    | 1,00     |            |            | --    |
| 0006   | CUVR00005 | 1390009          | ROULEMENT 6202 2RS                 | 1,00     |            |            | --    |
| 0007   | LAFN09337 |                  | SUPPORT 1250-1280                  | 1,00     |            |            | --    |
| 0009   | VTDD07887 |                  | ECROU M 6 SERPRESS                 | 4,00     |            |            | --    |
| 0010   | VTVT62920 | 1105162          | VIS TE FR 6X16 ZB ZIGRINATE        | 4,00     |            |            | --    |
| 0011   | VTVR13164 | 1105460          | CLE UNI 6604 5X5X30                | 1,00     |            |            | --    |
| 0012   | ALTR00011 | 21001003         | ARBRE PER VOLANTE TK1000           | 1,00     |            |            | --    |
| 0013   | CUVR00005 | 1390009          | ROULEMENT 6202 2RS                 | 1,00     |            |            | --    |
| 0014   | VTAE17002 | SL11033          | BAGUE D'ARRET D. 35 UNI 7437       | 1,00     |            |            | --    |
| 0015   | VTVR46987 | 1105603          | PRISE ELASTIQUE DIN 1481 5X25      | 1,00     |            | 01/05/2017 | --    |
| 0015   | VTVR00327 |                  | GOUPILLE -                         | 1,00     | 02/05/2017 |            | --    |
| 0016   | VTVR00562 |                  | JOINT A ROTULES -                  | 1,00     |            |            | --    |
| 0017   | PMTR00021 | 23101038         | ARBRE STERZO 1000 T.NUOVO COMPL    | 1,00     |            |            | --    |
| 0018   | VTVR46987 | 1105603          | PRISE ELASTIQUE DIN 1481 5X25      | 1,00     |            | 01/05/2017 | --    |
| 0018   | VTVR00327 |                  | GOUPILLE -                         | 1,00     | 02/05/2017 |            | --    |
| 0019   | VTVT00014 | 1105063          | VIS TE UNI 5739 8X20 CL.10.9       | 3,00     |            |            | --    |
| 0020   | LAFN47004 | 21051011         | BRIDE TK1400                       | 1,00     |            |            | --    |
| 0021   | CUVR75816 | 1390019          | ROULEMENT 51112                    | 1,00     |            |            | --    |
| 0022   | VTVR00562 |                  | JOINT A ROTULES -                  | 1,00     |            |            | --    |
| 0023   | VTAE17003 | 1105405          | BAGUE D'ARRET ESTERNO DIN 471 D.15 | 1,00     |            |            | --    |
| 0024   | VTVR46987 | 1105603          | PRISE ELASTIQUE DIN 1481 5X25      | 1,00     |            | 01/05/2017 | --    |
| 0024   | VTVR00327 |                  | GOUPILLE -                         | 1,00     | 02/05/2017 |            | --    |
| 0025   | VTRS00506 | 05126            | RONDELLE D.12 UNI 6592             | 1,00     |            |            | --    |
| 0026   | VTAE14016 | 1105420          | SEEGER ESTERNO DIN 471 D.12        | 1,00     |            |            | --    |
| 0027   | LAFN75973 | 22301003         | PIVOT FLAP TK                      | 1,00     |            |            | --    |
| 0028   | VTDD00482 | 05096            | ECROU M 6 ZIN UNI 5588             | 2,00     |            |            | --    |
| 0029   | VTRS04026 |                  | RONDELLE D. 6X18X2.38              | 2,00     |            |            | --    |
| 0030   | CMCV02396 | RP02396          | REGLEUR CH. 8X 6MAX30              | 1,00     |            |            | --    |
| 0031   | CMCV00468 |                  | CABLE 1250-1280 E-DP               | 1,00     |            |            | --    |
| 0032   | CMCV00467 |                  | GAINÉ 1250-1280 E-DP               | 1,00     |            |            | --    |
| 0040   | MLML00033 | 2205400          | RESSORT ALZAFLAP SILVER ZB         | 1,00     |            |            | --    |
| 0041   | LAFN75841 | 21101002         | DOUILLE TK 1000                    | 1,00     |            |            | --    |
| 0042   | VTVT00456 | 1105522          | VIS TE UNI 5739 10X25 ZB           | 6,00     |            |            | --    |
| 0043   | LAFN85521 | 21501004         | BRIDE SW1000 21501004              | 1,00     |            |            | --    |
| 0044   | VTVR75747 | 1165009          | FRETTE AUTOBLOK M35X1,5 GUK        | 1,00     |            |            | --    |
| 0045   | LAFN75913 | 21301003         | ENTRETOISE TK                      | 1,00     |            |            | --    |
| 0046   | MPVR75734 | 1105952          | EPAISSEUR D.15X22X0.5              | 1,00     |            |            | --    |
| 0047   | CUVR75816 | 1390019          | ROULEMENT 51112                    | 1,00     |            |            | --    |
| 0048   | MTCR85008 | 23301001         | CHAINE SWEEP 1000 ET               | 1,00     |            |            | --    |
| 0049   | LAFN75842 | 21101004         | DOUILLE TK 1000                    | 1,00     |            |            | --    |

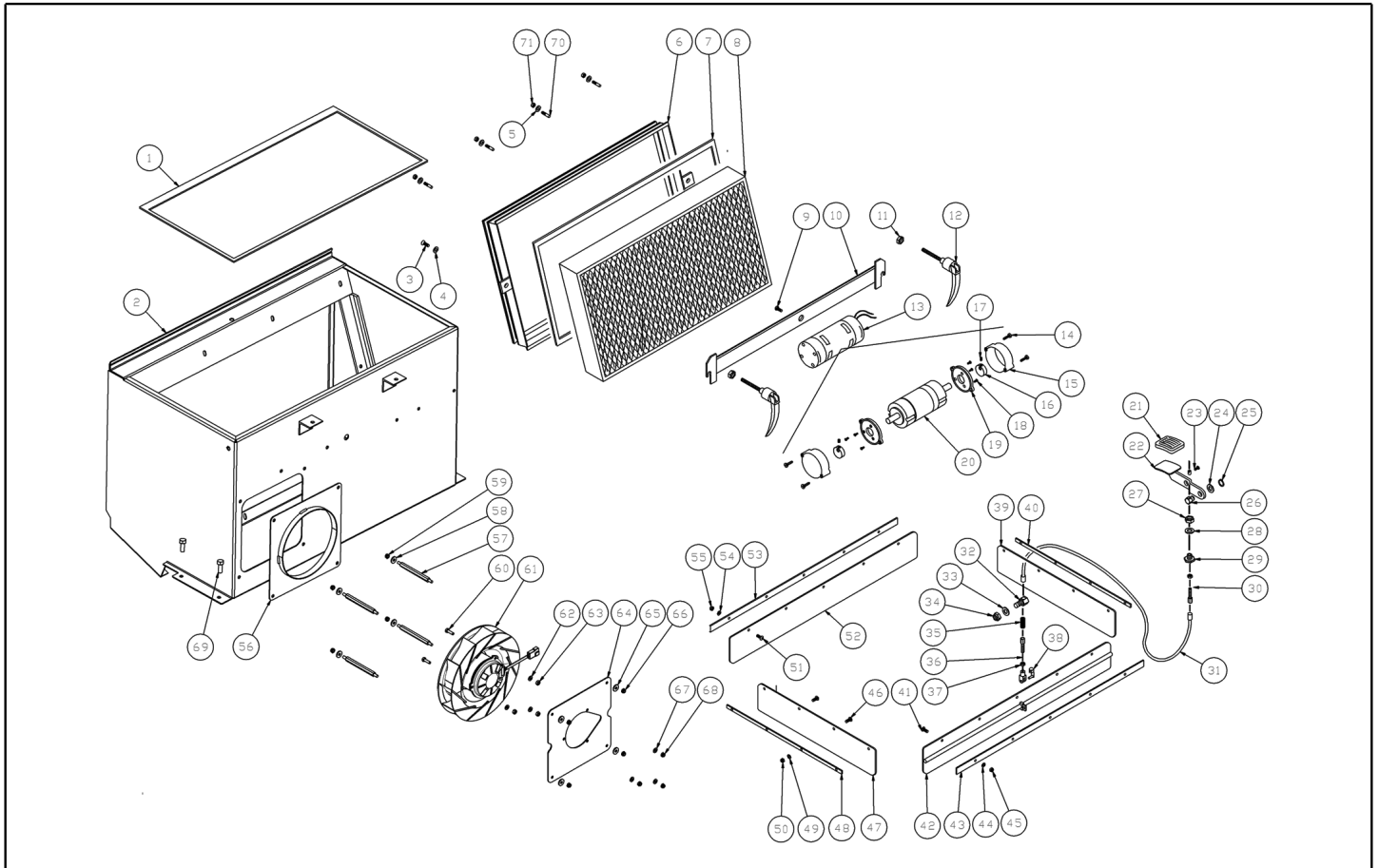


| Ref. K | Part N.   | Customer Part N. | Description                          | Quantity | Validity   |            | Price |
|--------|-----------|------------------|--------------------------------------|----------|------------|------------|-------|
|        |           |                  |                                      |          | From       | To         |       |
| 0050   | LAFN75841 | 21101002         | DOUILLE TK 1000                      | 1,00     |            |            | --    |
| 0051   | KTRI46514 | 23151000         | PIVOT TK 1000 + BUSCH.               | 1,00     |            |            | --    |
| 0052   | LAFN08185 |                  | FREIN -                              | 1,00     |            |            | --    |
| 0053   | MOCC00434 |                  | MOTEUR CM1                           | 1,00     |            |            | --    |
| 0054   | VTRS00107 | 75046            | RONDELLE M10 Grover                  | 4,00     |            |            | --    |
| 0055   | VTVT00456 | 1105522          | VIS TE UNI 5739 10X25 ZB             | 4,00     |            |            | --    |
| 0056   | RTRT00548 |                  | ROUE FRONT 1250-1280 E-DP            | 1,00     |            |            | --    |
| 0057   | VTRS15919 |                  | RONDELLE D.12 GROVER UNI 1751 INX    | 4,00     |            |            | --    |
| 0058   | VTVT00025 | 1105092          | VIS TE UNI 5739 12X16 ZB             | 4,00     |            |            | --    |
| 0059   | CUVR00008 | 1390018          | ROULEMENT 6003 2RS                   | 2,00     |            | 24/07/2016 | --    |
| 0059   | CUVR00104 | SL12030          | ROULEMENT SKF 6003- 2RSH             | 2,00     | 25/07/2016 |            | --    |
| 0060   | VTDD00124 | SL05001          | ECROU M 8 BASSO                      | 10,00    |            |            | --    |
| 0061   | LAFN85380 | 22501005         | MOYEU SW 1000E/S 22501005            | 2,00     |            |            | --    |
| 0062   | KTRI75744 | 1160075          | ROUES ARRIERES TK1000                | 2,00     |            |            | --    |
| 0063   | CUVR00008 | 1390018          | ROULEMENT 6003 2RS                   | 2,00     |            | 24/07/2016 | --    |
| 0063   | CUVR00104 | SL12030          | ROULEMENT SKF 6003- 2RSH             | 2,00     | 25/07/2016 |            | --    |
| 0064   | LAFN85290 | 22501004         | MOYEU SW 1000 22501004               | 2,00     |            |            | --    |
| 0065   | VTVT00066 | 1105517          | VIS TCCE UNI 5931 8X25 ZB            | 10,00    |            |            | --    |
| 0066   | VTRS00512 | RS01113          | RONDELLE D. 8 X24 ZC.                | 2,00     |            |            | --    |
| 0067   | VTVT01110 | 05000            | VIS TE 8X16 UNI5739                  | 2,00     |            |            | --    |
| 0068   | LAFN00275 | 21301024         | ENTRETOISE INTERNO RUOTA POST.TK1300 | 2,00     |            |            | --    |
| 0069   | VTRS01080 | 05136            | RONDELLE D. 8 GRW                    | 2,00     |            |            | --    |
| 0070   | MPVR47066 | 13201005         | PROTECTION L.14                      | 1,00     |            |            | --    |
| 0071   | VTVT62920 | 1105162          | VIS TE FR 6X16 ZB ZIGRINATE          | 1,00     |            |            | --    |
| 0072   | FSVR00005 | 1500017          | COLLIER TIPO "ECO"FORO MM8 D.1 W0    | 1,00     |            |            | --    |
| 0073   | FSVR00043 | 70985            | COLLIER d.16                         | 1,00     |            |            | --    |
| 0074   | VTVT62920 | 1105162          | VIS TE FR 6X16 ZB ZIGRINATE          | 1,00     |            |            | --    |

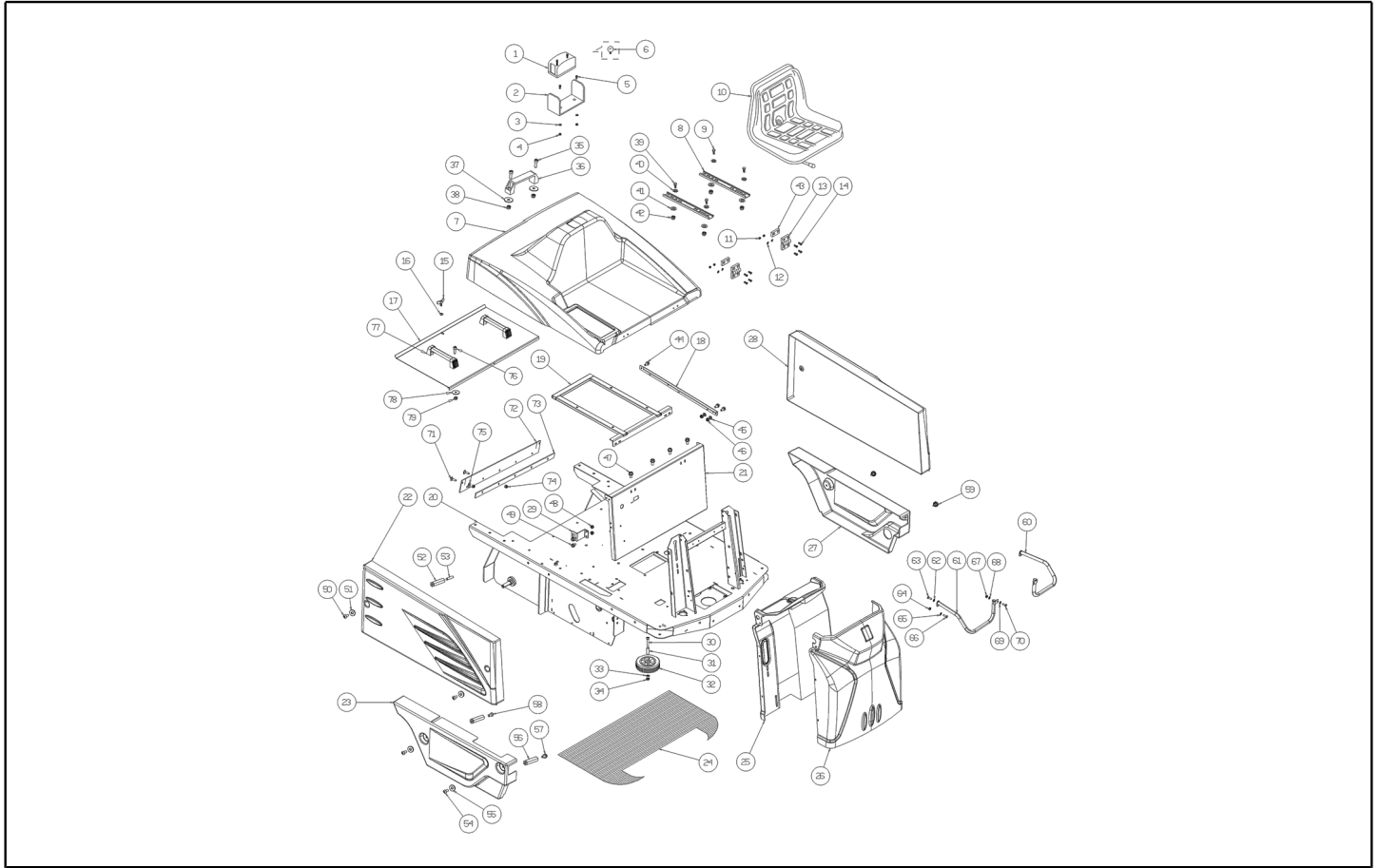




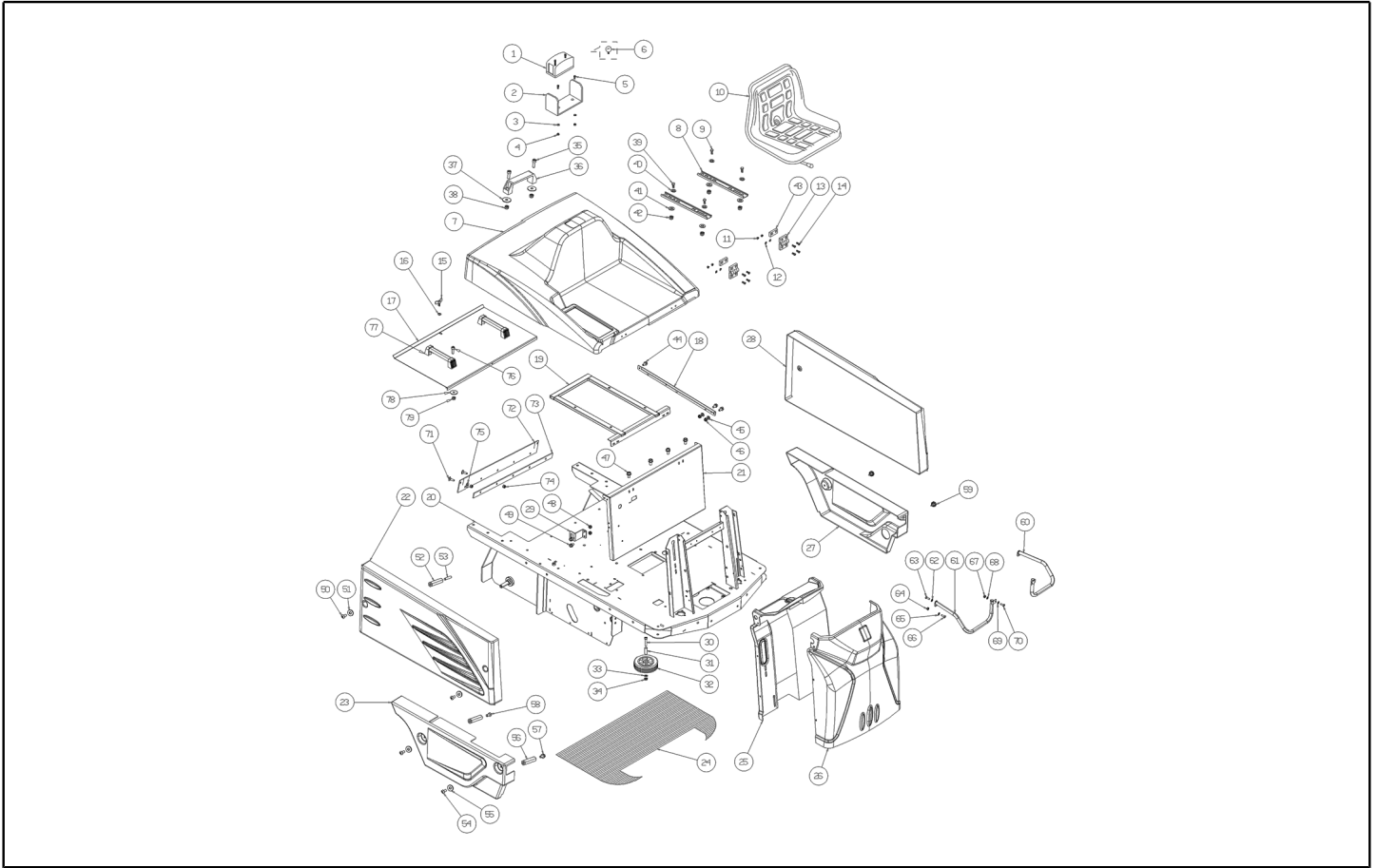
| Ref. K | Part N.   | Customer Part N. | Description                              | Quantity | Validity |    | Price |
|--------|-----------|------------------|--|----------|----------|----|-------|
|        |           |                  |  |          | From     | To |       |
| 0001   | MPVR86607 | 23101005         | KIT KIT GUARN.MOUSSE FILTRO              | 1,00     |          |    | --    |
| 0002   | LAFN36059 |                  | CONTENEUR FILTER PANEL                   | 1,00     |          |    | --    |
| 0003   | VTVT75726 | 1105236          | VIS TBCE ISO 7380 6X16 ZB                | 4,00     |          |    | --    |
| 0004   | VTRS04026 |                  | RONDELLE D. 6X18X2.38                    | 4,00     |          |    | --    |
| 0005   | VTRS04026 |                  | RONDELLE D. 6X18X2.38                    | 6,00     |          |    | --    |
| 0006   | LAFN01014 | 22701006         | CHASSIS PORTA FILTRO TK1000 VIBR.        | 1,00     |          |    | --    |
| 0007   | MPVR86606 | 23101004         | KIT KIT GUARN.MOUSSE FILTRO              | 1,00     |          |    | --    |
| 0008   | FTDP76067 | 2360004          | FILTRE SW1000                            | 1,00     |          |    | --    |
| 0009   | VTVT47143 | 1105559          | VIS TSCE UNI 5933 10X16 ZB               | 1,00     |          |    | --    |
| 0010   | LAFN00720 | 22601060         | SUPPORT MOTEUR S/FILTRO TK1000 NUOVO VER | 1,00     |          |    | --    |
| 0011   | VTDD00057 |                  | ECROU UNI 5589 M8 BASSO ZB               | 2,00     |          |    | --    |
| 0012   | PMVR00215 | 23101056         | POIGNEE BLOCCAGGIO FILTR.1000E-S         | 2,00     |          |    | --    |
| 0013   | MOCC45112 |                  | MOTEUR FILTER SHAKER 24V                 | 1,00     |          |    | --    |
| 0014   | VTVT47138 | 1105365          | VIS AUTOF.TSP UNI 6955 3,9X32            | 4,00     |          |    | --    |
| 0015   | LAFN47139 | 2120288          | COUVERCLE MOT. L.14 FILT.                | 2,00     |          |    | --    |
| 0016   | LAFN47140 | 2110045          | DOUILLE L.14                             | 2,00     |          |    | --    |
| 0017   | VTVT75731 | 1105482          | VIS SANS TETE UNI 5923 6X5               | 2,00     |          |    | --    |
| 0018   | VTVT00474 |                  | VIS TSCE uni 5933 4x12 ZB                | 6,00     |          |    | --    |
| 0019   | MFVR47141 | 2150031          | BRIDE MOTEUR L.14                        | 2,00     |          |    | --    |
| 0020   | MOCC00004 | 1340029          | MOTEUR D.63 24V G3800 W35                | 1,00     |          |    | --    |
| 0021   | MPVR45096 | 13201007         | CAOUTCHOUC V 1201 GR.                    | 1,00     |          |    | --    |
| 0022   | LAFN76008 | 22601001         | PEDALE FLAP TK1000                       | 1,00     |          |    | --    |
| 0023   | VTVR00028 | 1125013          | BORNE PER CASSETTO G1300                 | 1,00     |          |    | --    |
| 0024   | VTRS00506 | 05126            | RONDELLE D.12 UNI 6592                   | 1,00     |          |    | --    |
| 0025   | VTAE14016 | 1105420          | SEEGER ESTERNO DIN 471 D.12              | 1,00     |          |    | --    |
| 0026   | LAFN75973 | 22301003         | PIVOT FLAP TK                            | 1,00     |          |    | --    |
| 0027   | VTDD01682 | 05103            | ECROU M12 ZC UNI 5588                    | 1,00     |          |    | --    |
| 0028   | VTRS00505 | 05116            | RONDELLE D.10 TE UNI 6592                | 1,00     |          |    | --    |
| 0029   | LAFN75975 | 22301009         | PIVOT TK                                 | 1,00     |          |    | --    |
| 0030   | CMCV75723 | 1105229          | REGLEUR D.7                              | 1,00     |          |    | --    |
| 0031   | CMCV75905 | 21251002         | GAINA X CABLE                            | 1,00     |          |    | --    |
| 0032   | LAFN75976 | 22301013         | GUIDE RESSORT TK 1000                    | 1,00     |          |    | --    |
| 0033   | VTRS00506 | 05126            | RONDELLE D.12 UNI 6592                   | 1,00     |          |    | --    |
| 0034   | VTDD00012 | 1105136          | ECROU AUTOBLOK DIN 985 M12 ZB            | 1,00     |          |    | --    |
| 0035   | MLML75962 | 22051001         | RESSORT                                  | 1,00     |          |    | --    |
| 0036   | CMCV45110 | 21251005         | CORDE D. 2.5 FLAP L.14                   | 1,00     |          |    | --    |
| 0037   | VTDD00482 | 05096            | ECROU M 6 ZIN UNI 5588                   | 1,00     |          |    | --    |
| 0038   | CMCV75717 | 11051100         | AGRAFE UNI 1676 M6                       | 1,00     |          |    | --    |
| 0039   | MPVR75936 | 21601004         | CAOUTCHOUC FLAP DX/SX TK1000             | 1,00     |          |    | --    |
| 0040   | LAFN00305 | 21501008         | BLOCCAGE FLAP DX/SX TK1000 NERO          | 1,00     |          |    | --    |
| 0041   | VTVT75721 | 1105222          | VIS TTDE UNI 5732 6X16 ZB                | 8,00     |          |    | --    |
| 0042   | MPVR75935 | 21601003         | CAOUTCHOUC FLAP TK1000                   | 1,00     |          |    | --    |
| 0043   | LAFN86529 | 21501007         | BLOCCAGE FLAP                            | 1,00     |          |    | --    |
| 0044   | VTRS00503 | 05118            | RONDELLE D. 6 TE UNI 6798                | 8,00     |          |    | --    |



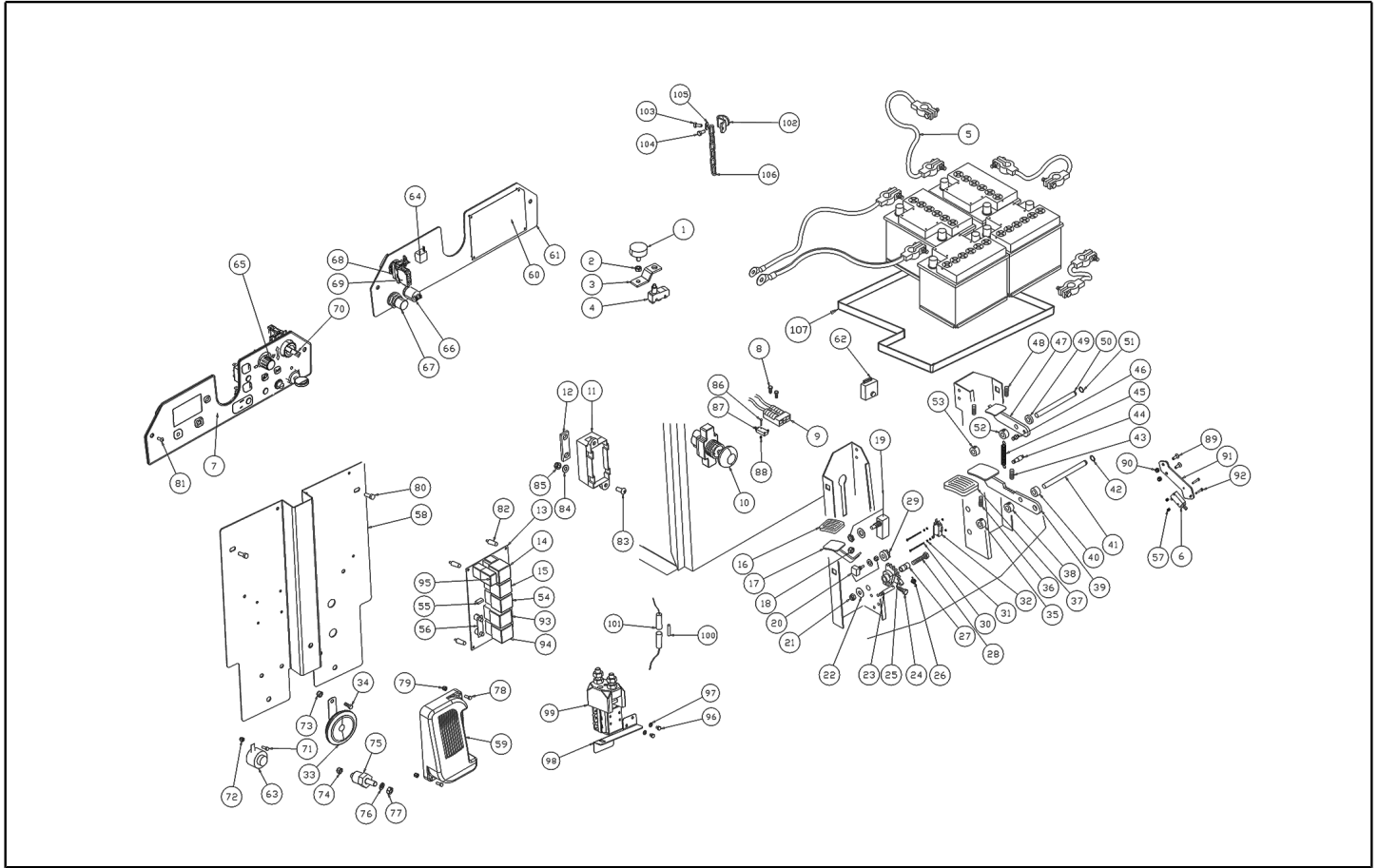
| Ref. K | Part N.   | Customer Part N. | Description                    | Quantity | Validity |    | Price |
|--------|-----------|------------------|--------------------------------|----------|----------|----|-------|
|        |           |                  |                                |          | From     | To |       |
| 0045   | VTDD00491 |                  | ECROU M 6 TEF                  | 8,00     |          |    | --    |
| 0046   | VTVT75721 | 1105222          | VIS TTDE UNI 5732 6X16 ZB      | 4,00     |          |    | --    |
| 0047   | MPVR75936 | 21601004         | CAOUTCHOUC FLAP DX/SX TK1000   | 1,00     |          |    | --    |
| 0048   | LAFN00305 | 21501008         | BLOCAGE FLAP DX/SX TK1000 NERO | 1,00     |          |    | --    |
| 0049   | VTRS00503 | 05118            | RONDELLE D. 6 TE UNI 6798      | 4,00     |          |    | --    |
| 0050   | VTDD00491 |                  | ECROU M 6 TEF                  | 4,00     |          |    | --    |
| 0051   | VTVT75721 | 1105222          | VIS TTDE UNI 5732 6X16 ZB      | 5,00     |          |    | --    |
| 0052   | MPVR75934 | 21601002         | CAOUTCHOUC FLAP TK1000         | 1,00     |          |    | --    |
| 0053   | LAFN86529 | 21501007         | BLOCAGE FLAP                   | 1,00     |          |    | --    |
| 0054   | VTRS00503 | 05118            | RONDELLE D. 6 TE UNI 6798      | 5,00     |          |    | --    |
| 0055   | VTDD00491 |                  | ECROU M 6 TEF                  | 5,00     |          |    | --    |
| 0056   | LAFN08170 |                  | ADAPTATEUR TK1000              | 1,00     |          |    | --    |
| 0057   | LAFN06757 |                  | ENTRETOISE 1450                | 4,00     |          |    | --    |
| 0058   | VTRS04026 |                  | RONDELLE D. 6X18X2.38          | 4,00     |          |    | --    |
| 0059   | VTDD00491 |                  | ECROU M 6 TEF                  | 4,00     |          |    | --    |
| 0060   | VTVT00444 | 05012            | VIS TE 6X20 UNI5739            | 3,00     |          |    | --    |
| 0061   | VEVR00070 |                  | HELICE -                       | 1,00     |          |    | --    |
| 0062   | VTRS00503 | 05118            | RONDELLE D. 6 TE UNI 6798      | 3,00     |          |    | --    |
| 0063   | VTDD00482 | 05096            | ECROU M 6 ZIN UNI 5588         | 3,00     |          |    | --    |
| 0064   | LAFN06854 |                  | TOLE 1450                      | 1,00     |          |    | --    |
| 0065   | VTRS04026 |                  | RONDELLE D. 6X18X2.38          | 4,00     |          |    | --    |
| 0066   | VTDD00491 |                  | ECROU M 6 TEF                  | 4,00     |          |    | --    |
| 0067   | VTRS00503 | 05118            | RONDELLE D. 6 TE UNI 6798      | 3,00     |          |    | --    |
| 0068   | VTDD00482 | 05096            | ECROU M 6 ZIN UNI 5588         | 3,00     |          |    | --    |
| 0069   | VTVT62920 | 1105162          | VIS TE FR 6X16 ZB ZIGRINATE    | 4,00     |          |    | --    |
| 0070   | VTVT01699 |                  | GOIJON M6X20                   | 6,00     |          |    | --    |
| 0071   | VTDD00491 |                  | ECROU M 6 TEF                  | 6,00     |          |    | --    |



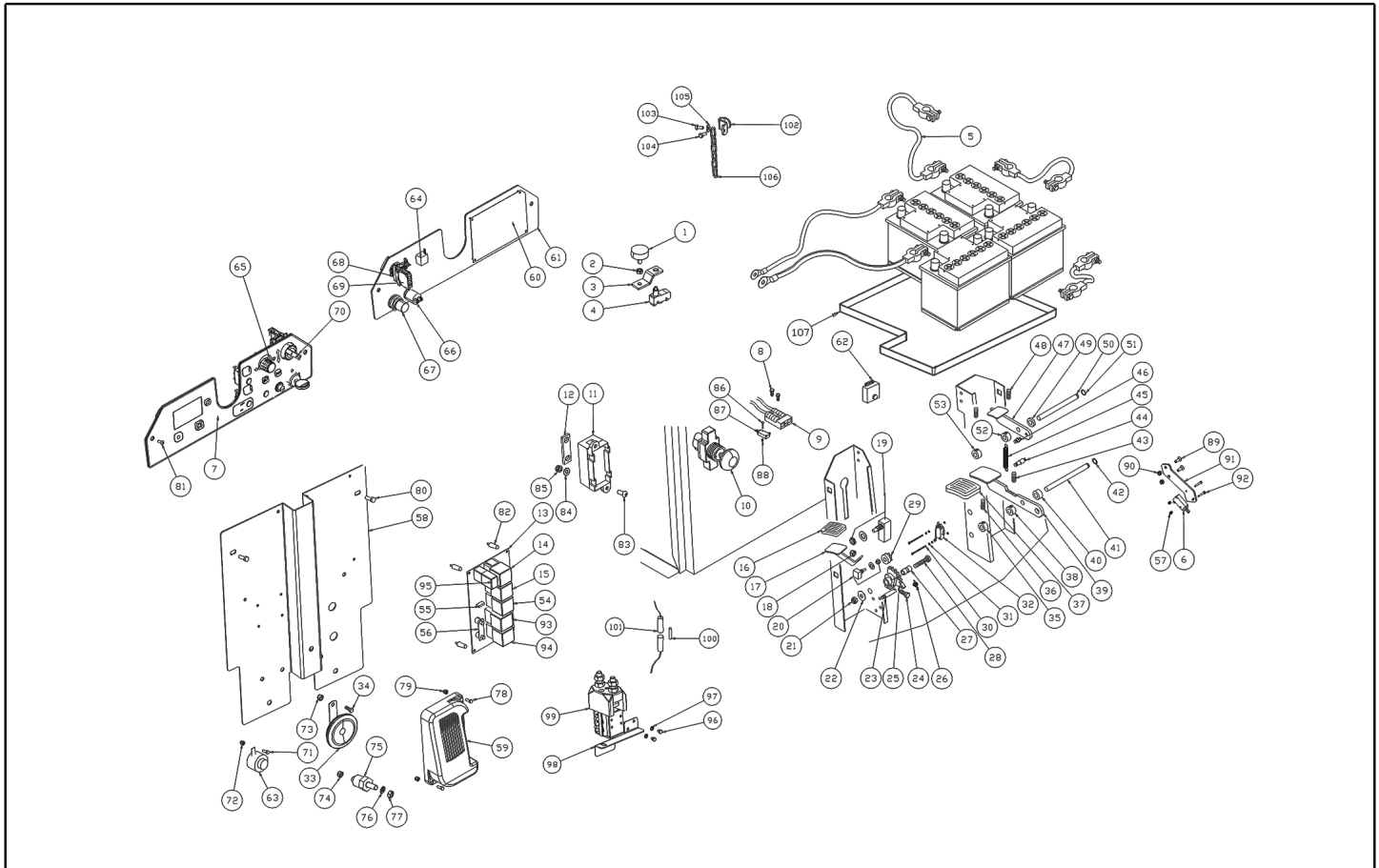
| Ref. K | Part N.   | Customer Part N. | Description                          | Quantity | Validity   |            | Price |
|--------|-----------|------------------|--------------------------------------|----------|------------|------------|-------|
|        |           |                  |                                      |          | From       | To         |       |
| 0001   | KTRI00103 | 23101119         | AMPOULE FLASH 24V ORANGE             | 1,00     |            |            | --    |
| 0002   | KTRI00103 | 23101119         | AMPOULE FLASH 24V ORANGE             | 1,00     |            |            | --    |
| 0003   | VTRS15958 | 1105808          | RONDELLE UNI 6592 5X15X1,5 ZB        | 2,00     |            |            | --    |
| 0004   | VTDD08171 | 75282            | ECROU M 5 TEF                        | 2,00     |            |            | --    |
| 0005   | VTVT45339 | 1105237          | VIS TBCE ISO 7380 5X16 ZB            | 2,00     |            |            | --    |
| 0006   | MELF33431 | 1180021          | AMPOULE 24 V 21 W                    | 1,00     |            |            | --    |
| 0007   | MPVR06087 |                  | CAPOT -                              | 1,00     |            |            | --    |
| 0008   | SESD45981 | 13201011         | SIEGE SC73 01.01.M4 PER TK1400       | 1,00     |            |            | --    |
| 0009   | VTVT00017 | 1105066          | VIS TE UNI 5739 8X35 ZB              | 4,00     |            |            | --    |
| 0010   | SESD45981 | 13201011         | SIEGE SC73 01.01.M4 PER TK1400       | 1,00     |            |            | --    |
| 0011   | VTDD00491 |                  | ECROU M 6 TEF                        | 4,00     |            |            | --    |
| 0012   | VTRS00503 | 05118            | RONDELLE D. 6 TE UNI 6798            | 4,00     |            |            | --    |
| 0013   | CEVR85332 | 13201004         | CHARNIERE MEB F D.6 TK               | 2,00     |            |            | --    |
| 0014   | VTVT06237 | 1105506          | VIS TCCE UNI 5931 6X20 ZB            | 4,00     |            |            | --    |
| 0015   | VTVR00044 | 1320074          | ELROU A AILETT. D.30 M6X20           | 1,00     |            |            | --    |
| 0016   | VTRS63242 | 1105325          | RONDELLE UNI 6593 6X24X2 ZB          | 1,00     |            |            | --    |
| 0017   | LAFN85308 | 21201003         | COUVERCLE SW 1000 21201003           | 1,00     |            |            | --    |
| 0018   | LAFN08190 |                  | TOLE -                               | 1,00     |            |            | --    |
| 0019   | LAFN08178 |                  | SUPPORT -                            | 1,00     |            |            | --    |
| 0020   | LAFN36061 |                  | CHASSIS 1250-1280                    | 1,00     |            |            | --    |
| 0021   | LAFN08169 |                  | PANNEAU TK1000                       | 1,00     |            | 19/03/2015 | --    |
| 0021   | LAFN08150 |                  | PANNEAU -                            | 1,00     | 20/03/2015 |            | --    |
| 0022   | MPVR06091 |                  | FLASQUE -                            | 1,00     |            |            | --    |
| 0023   | MPVR06096 |                  | CARTER -                             | 1,00     |            |            | --    |
| 0024   | MPVR00738 | 21601001A        | MARCHEPIED MILLERIG.1000E CON BIADES | 1,00     |            |            | --    |
| 0025   | MPVR06094 |                  | JOUE -                               | 1,00     |            |            | --    |
| 0026   | MPVR06093 |                  | JOUE -                               | 1,00     |            |            | --    |
| 0027   | MPVR06095 |                  | CARTER -                             | 1,00     |            |            | --    |
| 0028   | MPVR06089 |                  | FLASQUE -                            | 1,00     |            |            | --    |
| 0029   | LAFN08210 |                  | BRIDE -                              | 2,00     |            |            | --    |
| 0030   | VTVT28307 |                  | VIS TCCE UNI 5931 10X70 ZN           | 2,00     |            |            | --    |
| 0031   | LAFN47011 | 1110006          | DOUILLE L.14                         | 2,00     |            |            | --    |
| 0032   | RTRT00013 | 1250041          | ROUE GOMMA D.125                     | 2,00     |            |            | --    |
| 0033   | VTRS00505 | 05116            | RONDELLE D.10 TE UNI 6592            | 2,00     |            |            | --    |
| 0034   | VTDD00042 | SL05032          | ECROU AUT.M10 UNI7474                | 2,00     |            |            | --    |
| 0035   | VTVT00066 | 1105517          | VIS TCCE UNI 5931 8X25 ZB            | 2,00     |            |            | --    |
| 0036   | MPVR00411 |                  | POIGNEE TRG                          | 1,00     |            |            | --    |
| 0037   | VTRS00513 | 1105327          | RONDELLE UNI 6593 8X32X2,5 ZB        | 2,00     |            |            | --    |
| 0038   | VTDD00124 | SL05001          | ECROU M 8 BASSO                      | 2,00     |            |            | --    |
| 0039   | VTVT00017 | 1105066          | VIS TE UNI 5739 8X35 ZB              | 4,00     |            |            | --    |
| 0040   | VTRS00504 | 05242            | RONDELLE D. 8 TE ZC. UNI 6592        | 2,00     |            |            | --    |
| 0041   | VTRS00512 | RS01113          | RONDELLE D. 8 X24 ZC.                | 4,00     |            |            | --    |
| 0042   | VTDD00124 | SL05001          | ECROU M 8 BASSO                      | 4,00     |            |            | --    |
| 0043   | LAFN07909 |                  | BRIDE -                              | 2,00     |            |            | --    |



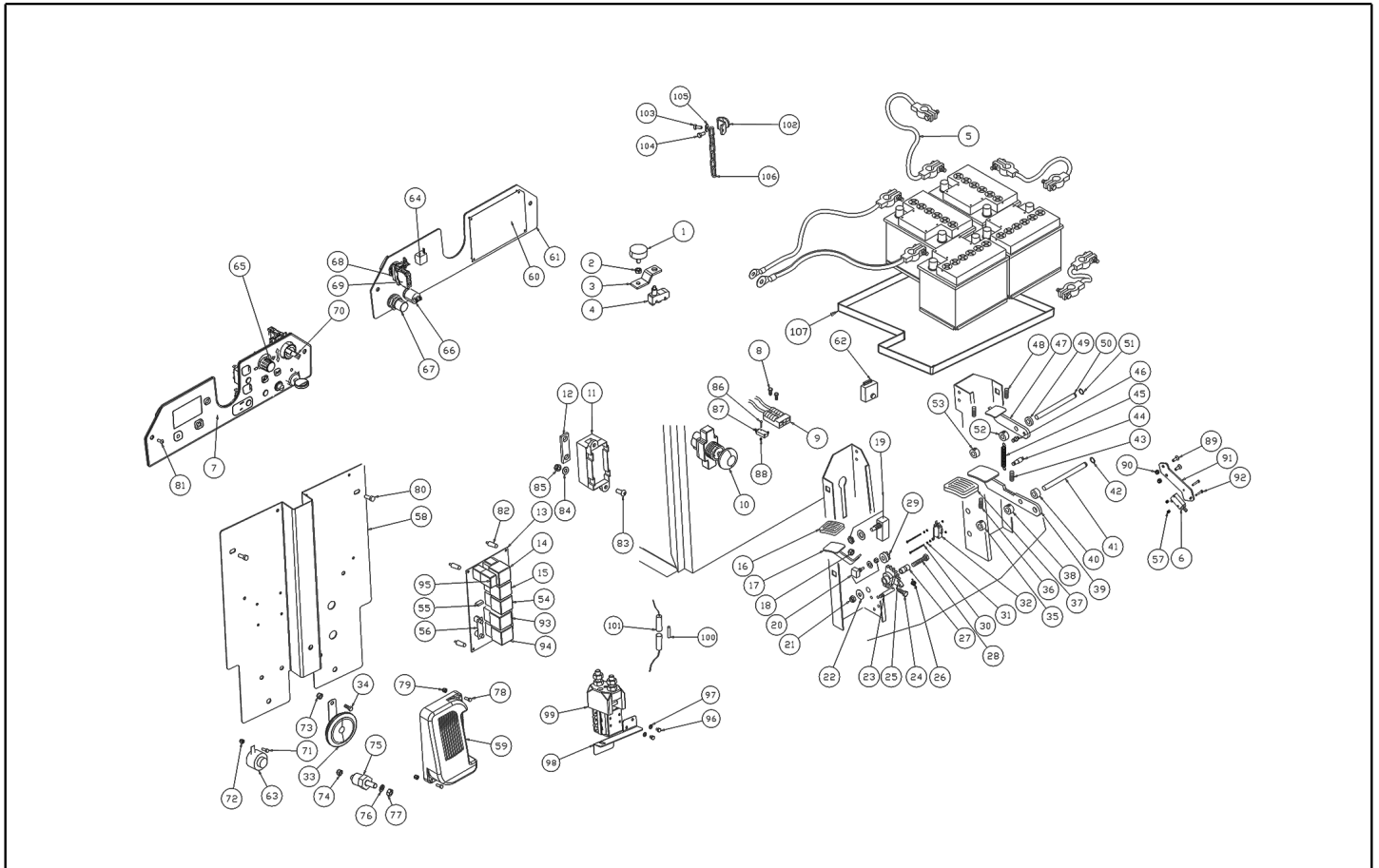
| Ref. K | Part N.   | Customer Part N. | Description                   | Quantity | Validity   |    | Price |
|--------|-----------|------------------|-------------------------------|----------|------------|----|-------|
|        |           |                  |                               |          | From       | To |       |
| 0044   | VTVT62920 | 1105162          | VIS TE FR 6X16 ZB ZIGRINATE   | 3,00     |            |    | --    |
| 0045   | VTRS00503 | 05118            | RONDELLE D. 6 TE UNI 6798     | 2,00     |            |    | --    |
| 0046   | VTDD00491 |                  | ECROU M 6 TEF                 | 2,00     |            |    | --    |
| 0047   | VTVT62920 | 1105162          | VIS TE FR 6X16 ZB ZIGRINATE   | 4,00     |            |    | --    |
| 0048   | VTDD00491 |                  | ECROU M 6 TEF                 | 4,00     |            |    | --    |
| 0049   | VTVT62920 | 1105162          | VIS TE FR 6X16 ZB ZIGRINATE   | 4,00     |            |    | --    |
| 0050   | VTVT75726 | 1105236          | VIS TBCE ISO 7380 6X16 ZB     | 4,00     |            |    | --    |
| 0051   | VTRS04026 |                  | RONDELLE D. 6X18X2.38         | 4,00     |            |    | --    |
| 0052   | LAFN08211 |                  | ENTRETOISE -                  | 4,00     |            |    | --    |
| 0053   | VTVT00900 | SL11024          | VIS SANS TETE M 6-30 CON ES   | 2,00     |            |    | --    |
| 0054   | VTVT75726 | 1105236          | VIS TBCE ISO 7380 6X16 ZB     | 2,00     |            |    | --    |
| 0055   | VTRS04026 |                  | RONDELLE D. 6X18X2.38         | 2,00     |            |    | --    |
| 0056   | LAFN08211 |                  | ENTRETOISE -                  | 2,00     |            |    | --    |
| 0057   | VTVT00527 |                  | VIS TE FR 6X10 ZB ZIG.        | 2,00     |            |    | --    |
| 0058   | VTVT13515 | 75022            | VIS TSPEI M6x16 UNI5933 10.9  | 2,00     |            |    | --    |
| 0059   | RTRT00022 | 1320018          | PETIT VOLANT D.30 M6X15       | 2,00     |            |    | --    |
| 0060   | LAFN08200 |                  | PARE-CHOC S -                 | 1,00     |            |    | --    |
| 0061   | LAFN08201 |                  | PARE-CHOC S -                 | 1,00     |            |    | --    |
| 0062   | VTRS00504 | 05242            | RONDELLE D. 8 TE ZC. UNI 6592 | 2,00     |            |    | --    |
| 0063   | VTVT00446 | 1105098          | VIS TE UNI 5739 8X20 ACC.8.8  | 2,00     |            |    | --    |
| 0064   | VTDD00124 | SL05001          | ECROU M 8 BASSO               | 2,00     |            |    | --    |
| 0065   | VTRS00504 | 05242            | RONDELLE D. 8 TE ZC. UNI 6592 | 2,00     |            |    | --    |
| 0066   | VTVT00446 | 1105098          | VIS TE UNI 5739 8X20 ACC.8.8  | 1,00     |            |    | --    |
| 0067   | VTDD00124 | SL05001          | ECROU M 8 BASSO               | 2,00     |            |    | --    |
| 0068   | VTRS00504 | 05242            | RONDELLE D. 8 TE ZC. UNI 6592 | 2,00     |            |    | --    |
| 0069   | VTRS00504 | 05242            | RONDELLE D. 8 TE ZC. UNI 6592 | 2,00     |            |    | --    |
| 0070   | VTVT00446 | 1105098          | VIS TE UNI 5739 8X20 ACC.8.8  | 2,00     |            |    | --    |
| 0071   | VTVT75721 | 1105222          | VIS TTDE UNI 5732 6X16 ZB     | 7,00     | 14/10/2014 |    | --    |
| 0072   | MPVR06431 |                  | FLAP -                        | 1,00     | 14/10/2014 |    | --    |
| 0073   | LAFN86529 | 21501007         | BLOCAGE FLAP                  | 1,00     | 14/10/2014 |    | --    |
| 0074   | VTDD00491 |                  | ECROU M 6 TEF                 | 7,00     | 14/10/2014 |    | --    |
| 0075   | VTRS04026 |                  | RONDELLE D. 6X18X2.38         | 2,00     | 14/10/2014 |    | --    |
| 0076   | VTVT00066 | 1105517          | VIS TCCE UNI 5931 8X25 ZB     | 4,00     | 20/03/2015 |    | --    |
| 0077   | MPVR00411 |                  | POIGNEE TRG                   | 2,00     | 20/03/2015 |    | --    |
| 0078   | VTRS00513 | 1105327          | RONDELLE UNI 6593 8X32X2,5 ZB | 4,00     | 20/03/2015 |    | --    |
| 0079   | VTDD00124 | SL05001          | ECROU M 8 BASSO               | 4,00     | 20/03/2015 |    | --    |



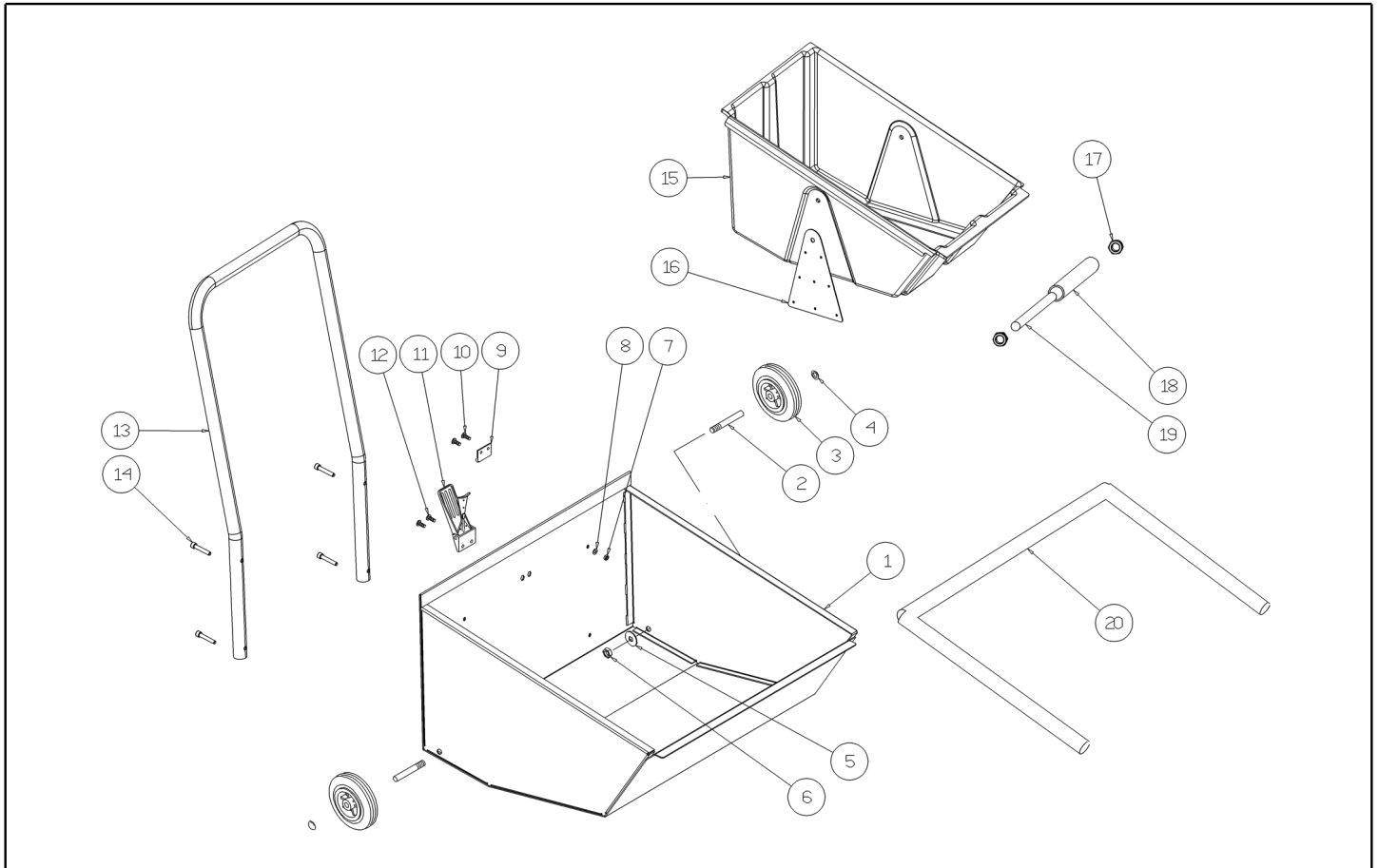
| Ref. K | Part N.   | Customer Part N. | Description                      | Quantity | Validity   |            | Price |
|--------|-----------|------------------|----------------------------------|----------|------------|------------|-------|
|        |           |                  |                                  |          | From       | To         |       |
| 0001   | ABGO00026 | 70775            | AMORTISSEUR                      | 2,00     |            |            | --    |
| 0002   | VTDD10776 | 05094            | ECROU M 8 X1 UNI 5588            | 4,00     |            |            | --    |
| 0003   | LAFN07862 |                  | BRIDE -                          | 1,00     |            |            | --    |
| 0004   | MECI75801 | 1380001          | MICROINTERRUPT. TK               | 1,00     |            |            | --    |
| 0005   | MEVR34820 | SL23838          | CABLAGE B 450 BT                 | 3,00     |            |            | --    |
| 0006   | MECI00114 | 70319            | MICROINTERRUPT.                  | 1,00     |            |            | --    |
| 0007   | ETET01798 |                  | ETICHETTE -                      | 1,00     |            |            | --    |
| 0008   | VTVT19236 | 1105777          | VIS TCCE UNI 5931 5X20 ZB        | 2,00     |            |            | --    |
| 0009   | MEVR01079 | SL23010K         | GOUPILLE M CB50 A 600V RD.       | 1,00     |            |            | --    |
| 0010   | MECI00571 |                  | BOUTON -                         | 1,00     |            |            | --    |
| 0011   | MEVR00146 | 1380151          | PORTE-FUSIBLES MEGA              | 1,00     |            |            | --    |
| 0012   | MEVR00145 | 1380150          | FUSIBLE 100A                     | 1,00     |            |            | --    |
| 0013   | MECE00592 |                  | FICHE POWER SERVICE 1250-1280    | 1,00     |            |            | --    |
| 0014   | MECE00201 | 71337            | RELAIS 24V 10-20 A               | 1,00     |            |            | --    |
| 0015   | MECE00201 | 71337            | RELAIS 24V 10-20 A               | 1,00     |            |            | --    |
| 0016   | MPVR85654 | 13201006         | CAOUTCHOUC SWEEP 1000 TK13201006 | 1,00     |            |            | --    |
| 0017   | LAFN08220 |                  | PEDALE -                         | 1,00     |            |            | --    |
| 0018   | VTDD00124 | SL05001          | ECROU M 8 BASSO                  | 1,00     |            |            | --    |
| 0019   | MECI75801 | 1380001          | MICROINTERRUPT. TK               | 2,00     |            |            | --    |
| 0020   | KTRI02289 |                  | KIT 1250-80                      | 1,00     |            |            | --    |
| 0021   | VTDD00124 | SL05001          | ECROU M 8 BASSO                  | 1,00     |            |            | --    |
| 0022   | VTRS00504 | 05242            | RONDELLE D. 8 TE ZC. UNI 6592    | 1,00     |            |            | --    |
| 0023   | LAFN75969 | 2230005          | PIVOT D.9 H.33                   | 1,00     |            |            | --    |
| 0024   | VTVT01688 |                  | VIS TBEI M 8X 30 ISO 7380 IX     | 1,00     |            |            | --    |
| 0025   | MTIG85317 | 22501006         | ENGRENAGE SW 1000                | 1,00     |            |            | --    |
| 0026   | MLML85997 | 22051007         | RESSORT D. 2 TK1000              | 1,00     |            |            | --    |
| 0027   | LAFN47084 | 21101019         | DOUILLE L.14                     | 1,00     |            |            | --    |
| 0028   | VTVT00017 | 1105066          | VIS TE UNI 5739 8X35 ZB          | 1,00     |            |            | --    |
| 0029   | MTIG85318 | 22501011         | ENGRENAGE SW 1000                | 1,00     |            |            | --    |
| 0030   | VTVT00021 | 1105071          | VIS TE UNI 5739 3X25 ZB          | 2,00     |            |            | --    |
| 0031   | VTDD00001 | 1105120          | ECROU UNI 5588 M3 ZB             | 4,00     |            |            | --    |
| 0032   | MECI30642 | SL23021          | MICRO-INTERRUPT. 11A 0.33HP      | 1,00     |            |            | --    |
| 0033   | MEVR33430 |                  | KLAXON K100/Y 1A 24V             | 1,00     |            | 11/10/2015 | --    |
| 0033   | MEVR02112 |                  | CLAXON 24V                       | 1,00     | 12/10/2015 |            | --    |
| 0034   | VTVT00527 |                  | VIS TE FR 6X10 ZB ZIG.           | 1,00     |            |            | --    |
| 0035   | LAFN47030 | 21101006         | DOUILLE L.14                     | 1,00     |            |            | --    |
| 0036   | VTVT75731 | 1105482          | VIS SANS TETE UNI 5923 6X5       | 1,00     |            |            | --    |
| 0037   | MPVR45096 | 13201007         | CAOUTCHOUC V 1201 GR.            | 1,00     |            |            | --    |
| 0038   | LAFN47030 | 21101006         | DOUILLE L.14                     | 1,00     |            |            | --    |
| 0039   | LAFN09344 |                  | PEDALE -                         | 1,00     |            |            | --    |
| 0040   | LAFN47019 | 21101012         | DOUILLE L.14                     | 1,00     |            |            | --    |
| 0041   | LAFN47036 | 22301004         | PIVOT BRK.+FLAP L.14             | 1,00     |            |            | --    |
| 0042   | VTAE87276 | 1105410          | SEEGER EXT. D10 DIN471           | 1,00     |            |            | --    |
| 0043   | VTVT75731 | 1105482          | VIS SANS TETE UNI 5923 6X5       | 1,00     |            |            | --    |



| Ref. K | Part N.   | Customer Part N. | Description                 | Quantity | Validity |    | Price |
|--------|-----------|------------------|-----------------------------|----------|----------|----|-------|
|        |           |                  |                             |          | From     | To |       |
| 0044   | LAFN47035 | 2230015          | PIVOT CH.10 H.26            | 1,00     |          |    | --    |
| 0045   | MLML75960 | 2205005          | RESSORT D. 8 X1 X32         | 1,00     |          |    | --    |
| 0046   | LAFN47029 | 2230012          | PIVOT CH.10 H.16            | 1,00     |          |    | --    |
| 0047   | LAFN47032 | 22601002         | PEDALE L. 14                | 1,00     |          |    | --    |
| 0048   | VTVT75731 | 1105482          | VIS SANS TETE UNI 5923 6X5  | 1,00     |          |    | --    |
| 0049   | LAFN47033 | 21101005         | DOUILLE L.14                | 1,00     |          |    | --    |
| 0050   | LAFN47031 | 22301007         | PIVOT L. 14                 | 1,00     |          |    | --    |
| 0051   | VTAE87276 | 1105410          | SEEGER EXT. D10 DIN471      | 1,00     |          |    | --    |
| 0052   | LAFN47030 | 21101006         | DOUILLE L.14                | 1,00     |          |    | --    |
| 0053   | LAFN47030 | 21101006         | DOUILLE L.14                | 1,00     |          |    | --    |
| 0054   | MECE00201 | 71337            | RELAIS 24V 10-20 A          | 1,00     |          |    | --    |
| 0055   | MEVR01136 | SL23148          | FUSIBLE 30A                 | 1,00     |          |    | --    |
| 0056   | MEVR02060 |                  | FUSIBLE 40A                 | 1,00     |          |    | --    |
| 0057   | VTDD21115 | SL05019          | ECROU M 3 INOX              | 2,00     |          |    | --    |
| 0058   | LAFN08202 |                  | PLAQUE -                    | 1,00     |          |    | --    |
| 0059   | MECE00601 |                  | FICHE 1250-1280             | 1,00     |          |    | --    |
| 0060   | MECE00591 |                  | FICHE LOGIC 1250-1280       | 1,00     |          |    | --    |
| 0061   | LAFN08204 |                  | FICHE -                     | 1,00     |          |    | --    |
| 0062   | MEVR02017 |                  | BEEPER -                    | 1,00     |          |    | --    |
| 0063   | MECE00182 | 70989            | BUZZER                      | 1,00     |          |    | --    |
| 0064   | MEVR01941 |                  | POTENTIOMETRE 100K          | 1,00     |          |    | --    |
| 0065   | KTRI01935 |                  | KIT 1050-1202               | 1,00     |          |    | --    |
| 0066   | MEVR85330 | 1180012          | BOUTON -                    | 1,00     |          |    | --    |
| 0067   | MECI75805 | 13801001         | INTERRUPTEUR TK             | 1,00     |          |    | --    |
| 0068   | MECI00520 |                  | PANIER FIX TO FIX CONTACT   | 1,00     |          |    | --    |
| 0069   | MECI00518 |                  | CONTACT NC                  | 1,00     |          |    | --    |
| 0070   | MECI00572 |                  | SELECTEUR -                 | 1,00     |          |    | --    |
| 0071   | VTVT00311 | 75218            | VIS TE M4X12                | 1,00     |          |    | --    |
| 0072   | VTDD04368 | 05090            | ECROU M 4 ZIN UNI 5588      | 1,00     |          |    | --    |
| 0073   | VTDD00491 |                  | ECROU M 6 TEF               | 1,00     |          |    | --    |
| 0074   | VTDD00124 | SL05001          | ECROU M 8 BASSO             | 2,00     |          |    | --    |
| 0075   | MEVR01116 | SL23103          | SUPPORT FUSIBLE 120 A       | 2,00     |          |    | --    |
| 0076   | VTRS01080 | 05136            | RONDELLE D. 8 GRW           | 2,00     |          |    | --    |
| 0077   | VTDD00483 | 05092            | ECROU M 8 ZIN UNI 5588      | 2,00     |          |    | --    |
| 0078   | VTVT01529 | 75104            | VIS TE M4X20 ZINC. UNI 5739 | 2,00     |          |    | --    |
| 0079   | VTDD04369 | 75259            | ECROU M 4 TEF UNI 7473      | 2,00     |          |    | --    |
| 0080   | VTVT00527 |                  | VIS TE FR 6X10 ZB ZIG.      | 3,00     |          |    | --    |
| 0081   | VTVT00659 | SL04065          | VIS TC+ M. 4-15             | 8,00     |          |    | --    |
| 0082   | MEVR01708 |                  | COLONNE -                   | 4,00     |          |    | --    |
| 0083   | VTVT75726 | 1105236          | VIS TBCE ISO 7380 6X16 ZB   | 2,00     |          |    | --    |
| 0084   | VTRS00503 | 05118            | RONDELLE D. 6 TE UNI 6798   | 2,00     |          |    | --    |
| 0085   | VTDD00491 |                  | ECROU M 6 TEF               | 2,00     |          |    | --    |
| 0086   | VTVT01170 |                  | VIS TC 2X16                 | 2,00     |          |    | --    |
| 0087   | MERL00018 |                  | MICROINTERRUPT.             | 1,00     |          |    | --    |

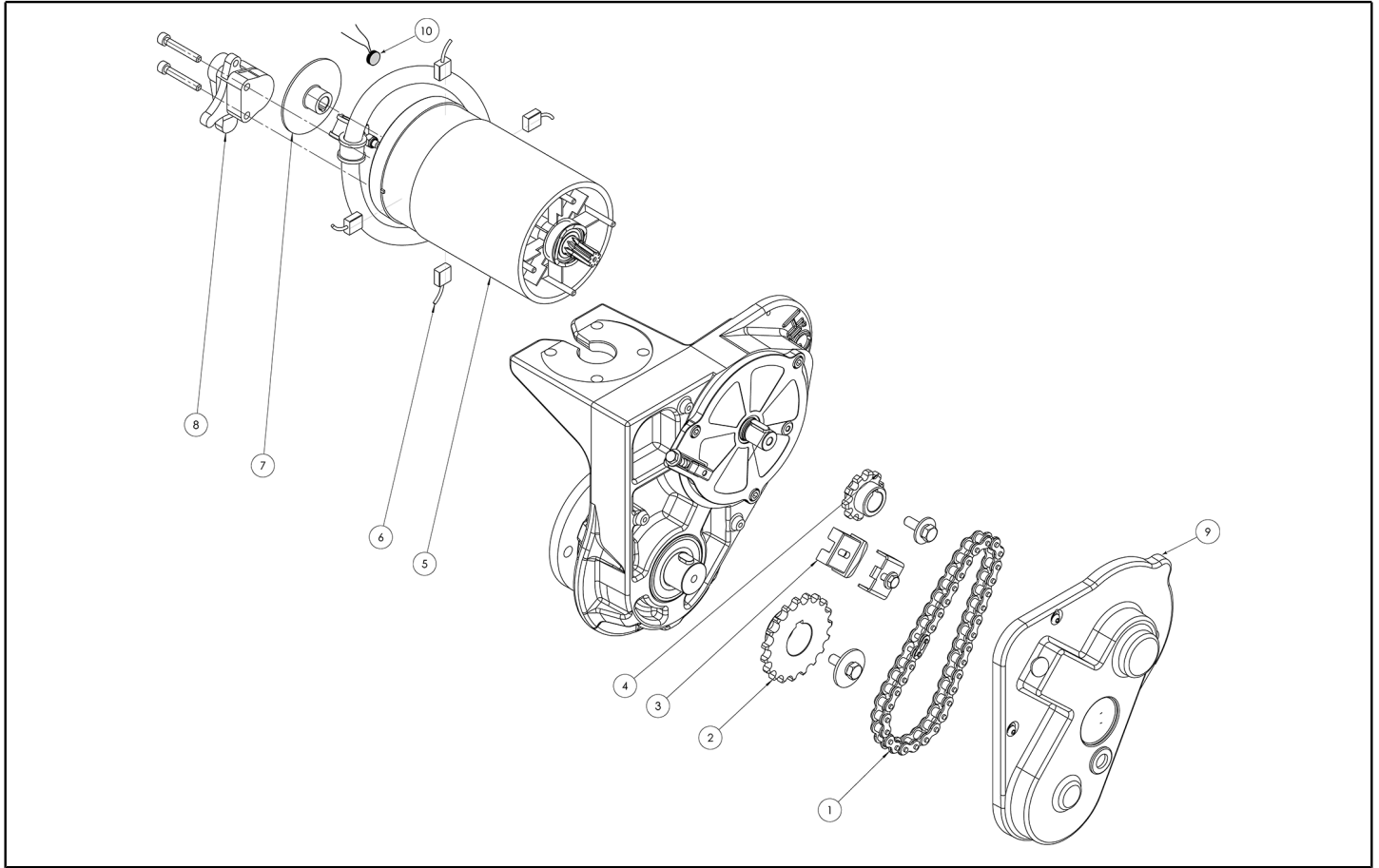


| Ref. K | Part N.   | Customer Part N. | Description                   | Quantity | Validity   |    | Price |
|--------|-----------|------------------|-------------------------------|----------|------------|----|-------|
|        |           |                  |                               |          | From       | To |       |
| 0088   | VTDD00213 |                  | ECROU M2                      | 2,00     |            |    | --    |
| 0089   | VTVT16939 | SL04401          | VIS M 4X 16 TSPEI UNI 5933    | 2,00     |            |    | --    |
| 0090   | VTDD04369 | 75259            | ECROU M 4 TEF UNI 7473        | 2,00     |            |    | --    |
| 0091   | LAFN09383 |                  | BRIDE -                       | 1,00     |            |    | --    |
| 0092   | VTVT01350 |                  | VIS M3-20 INOX                | 2,00     |            |    | --    |
| 0093   | MERL00016 |                  | RELAYS INTERR. 24V            | 1,00     |            |    | --    |
| 0094   | MERL00016 |                  | RELAYS INTERR. 24V            | 1,00     |            |    | --    |
| 0095   | MECE00456 |                  | RELAIS CT110                  | 1,00     |            |    | --    |
| 0096   | VTVT01669 |                  |                               | 2,00     | 12/10/2015 |    | --    |
| 0097   | VTRS00501 | 05109            | RONDELLE D. 4 0.232 UNI 6592  | 2,00     | 12/10/2015 |    | --    |
| 0098   | LAFN09488 |                  | PLAQUE                        | 1,00     | 12/10/2015 |    | --    |
| 0099   | MECI00532 |                  | TELERUPTEUR 24V-100A          | 1,00     | 12/10/2015 |    | --    |
| 0100   | MEVR00072 | 1380079          | FUSIBLE 2.5A F6.3X32-100/110V | 1,00     | 12/10/2015 |    | --    |
| 0101   | MEVR00080 | 1380090          | PORTE-FUSIBLES PV610 10A      | 1,00     | 12/10/2015 |    | --    |
| 0102   | LAFN07380 |                  | BRIDE G1050                   | 1,00     | 12/10/2015 |    | --    |
| 0103   | VTVT34115 | 75019            | VIS TE M 5X 10 UNI 5739       | 1,00     | 12/10/2015 |    | --    |
| 0104   | VTVT00005 | 1105023          | VIS TE FR 5X12 ZB             | 1,00     | 12/10/2015 |    | --    |
| 0105   | VTRS15958 | 1105808          | RONDELLE UNI 6592 5X15X1,5 ZB | 1,00     | 12/10/2015 |    | --    |
| 0106   | MTCR00029 | 70311            | CHAINETTE                     | 0,17     | 12/10/2015 |    | --    |
| 0107   | MPVR00351 | 2120153          | CONTENEUR BATTERIA TK1000E    | 1,00     |            |    | --    |

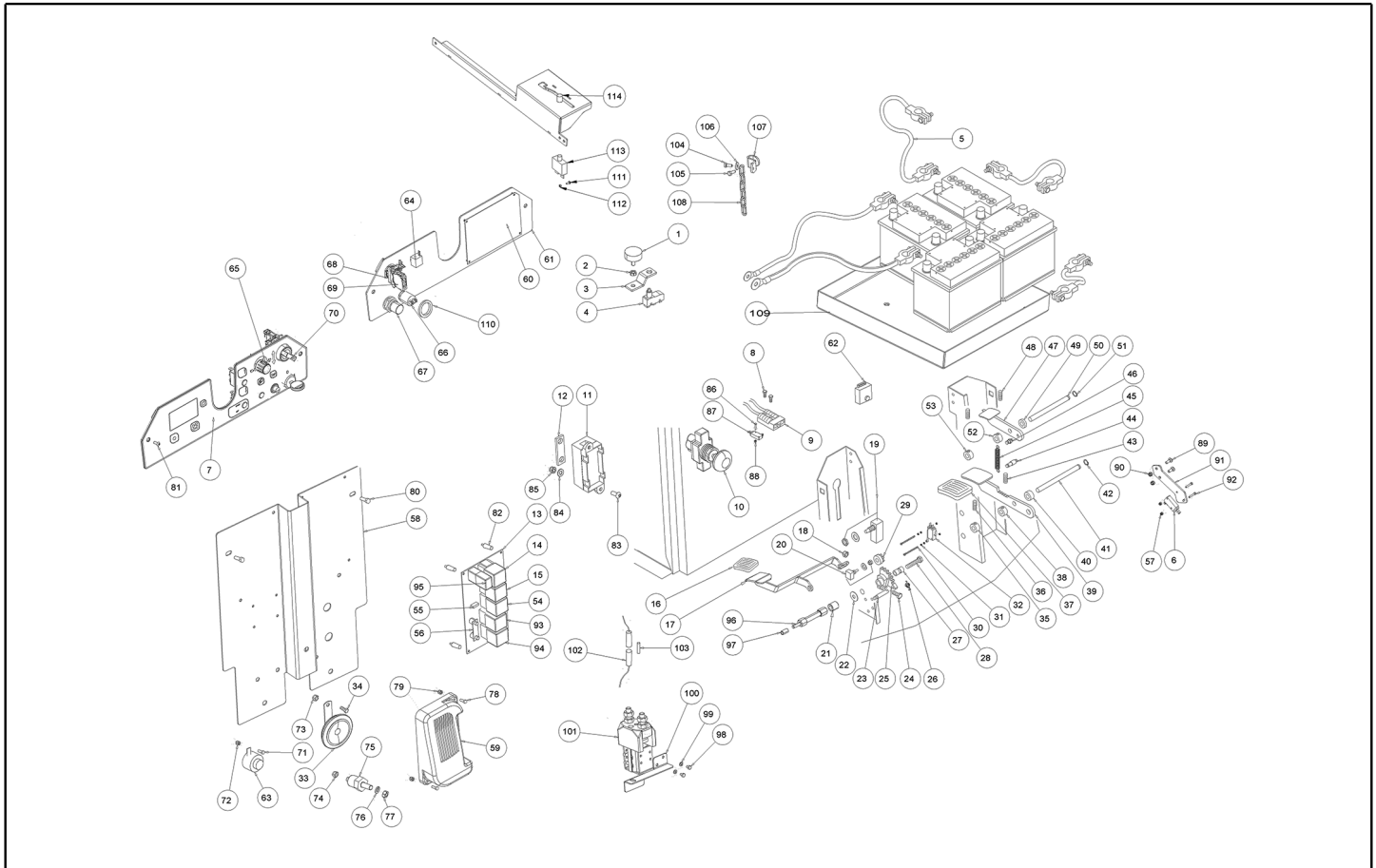


| Ref. K | Part N.   | Customer Part N. | Description                | Quantity | Validity |    | Price |
|--------|-----------|------------------|----------------------------|----------|----------|----|-------|
|        |           |                  |                            |          | From     | To |       |
| 0001   | LAFN08175 |                  | TIROIR TK1000              | 1,00     |          |    | --    |
| 0002   | LAFN00433 | 2230024          | PIVOT ROUE D.15 L.70,5     | 2,00     |          |    | --    |
| 0003   | RTRT00013 | 1250041          | ROUE GOMMA D.125           | 2,00     |          |    | --    |
| 0004   | VTVR26502 | 1250017          | COUVRE ROUE D.15           | 2,00     |          |    | --    |
| 0005   | VTRS00505 | 05116            | RONDELLE D.10 TE UNI 6592  | 2,00     |          |    | --    |
| 0006   | VTDD00042 | SL05032          | ECROU AUT.M10 UNI7474      | 2,00     |          |    | --    |
| 0007   | VTDD00491 |                  | ECROU M 6 TEF              | 4,00     |          |    | --    |
| 0008   | VTRS04026 |                  | RONDELLE D. 6X18X2.38      | 4,00     |          |    | --    |
| 0009   | CHVR76643 | 1320070          | ARET FERMETURE SW1000      | 1,00     |          |    | --    |
| 0010   | VTVT75726 | 1105236          | VIS TBCE ISO 7380 6X16 ZB  | 2,00     |          |    | --    |
| 0011   | CHVR76642 | 1320069          | FERMETURE SW1000           | 1,00     |          |    | --    |
| 0012   | VTVT75726 | 1105236          | VIS TBCE ISO 7380 6X16 ZB  | 2,00     |          |    | --    |
| 0013   | LAFN08194 |                  | POIGNEE -                  | 1,00     |          |    | --    |
| 0014   | VTVT63029 | 1105510          | VIS TCCE UNI 5931 6X35 ZB  | 4,00     |          |    | --    |
| 0015   | MPVR06100 |                  | TIROIR -                   | 2,00     |          |    | --    |
| 0016   | LAFN08149 |                  | RENFORT -                  | 8,00     |          |    | --    |
| 0017   | VTDD00057 |                  | ECROU UNI 5589 M8 BASSO ZB | 4,00     |          |    | --    |
| 0018   | LAFN11080 |                  | POIGNEE -                  | 2,00     |          |    | --    |
| 0019   | VTVR00308 |                  |                            | 0,64     |          |    | --    |
| 0020   | GUVR00010 | 1320045          | JOINT                      | 1,80     |          |    | --    |

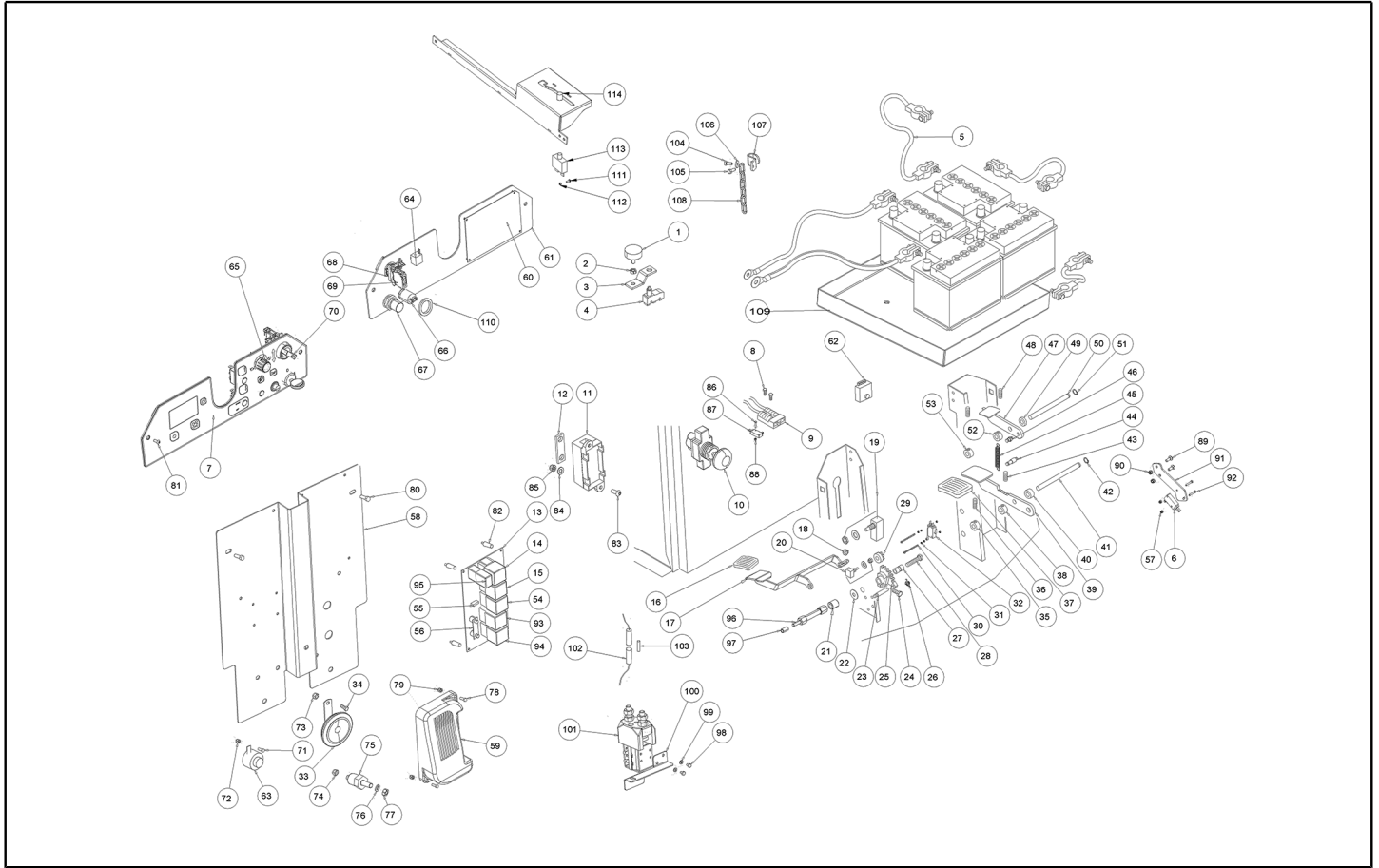




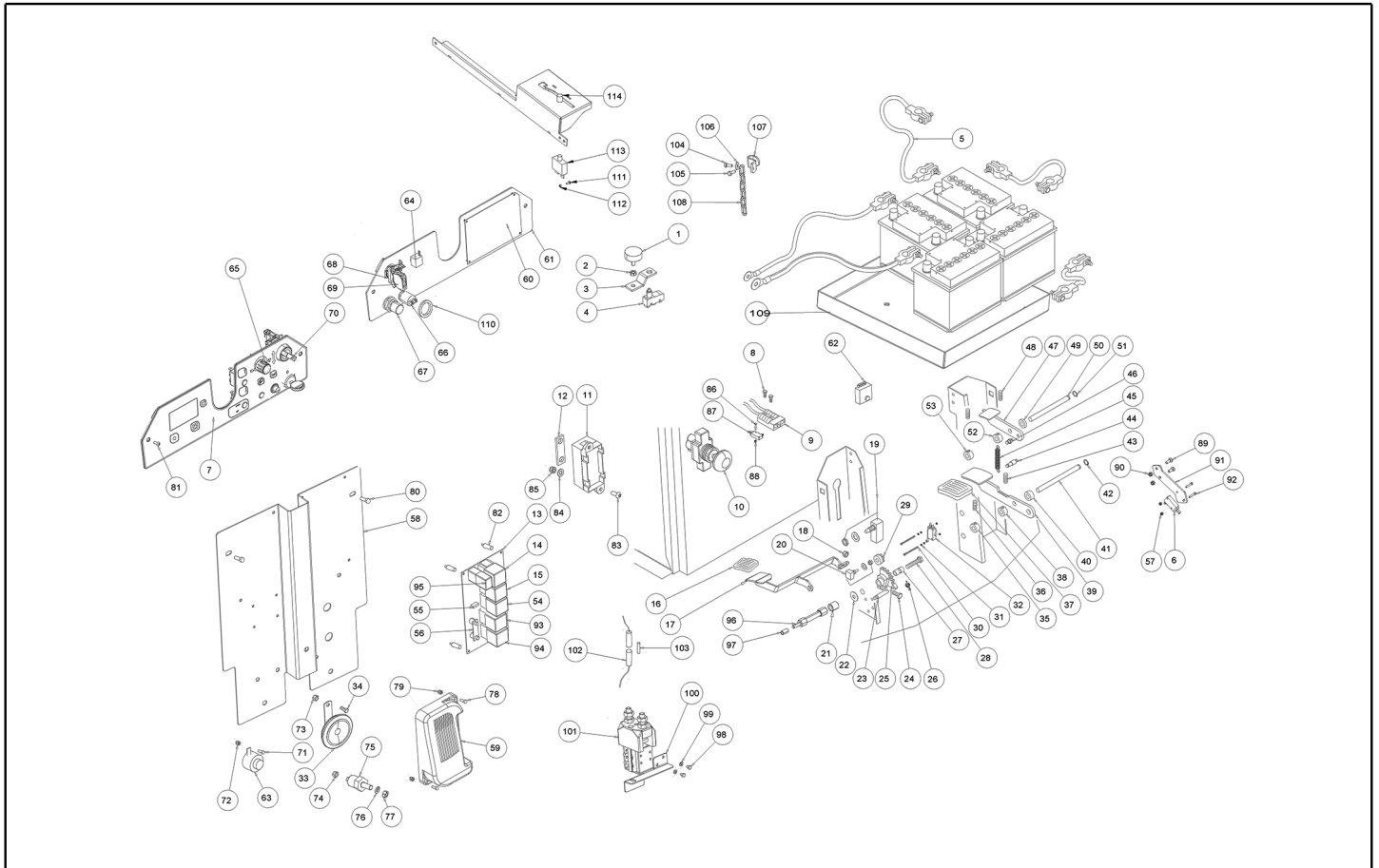
| Ref. K | Part N.   | Customer Part N. | Description                 | Quantity | Validity |    | Price |
|--------|-----------|------------------|-----------------------------|----------|----------|----|-------|
|        |           |                  |                             |          | From     | To |       |
| 0001   | MTCR00104 |                  | CHAINE -                    | 1,00     |          |    | --    |
| 0002   | MTIG00130 |                  | PIGNON 1/2"x5/16" Z19       | 1,00     |          |    | --    |
| 0003   | LAFN08226 |                  | CHAINE STRECHER -           | 1,00     |          |    | --    |
| 0004   | MTIG00129 |                  | PIGNON 1/2"x5/16" Z10       | 1,00     |          |    | --    |
| 0005   | MOCC00445 |                  | MOTEUR 500W                 | 1,00     |          |    | --    |
| 0006   | MEVR02107 |                  | KIT BRUSH                   | 1,00     |          |    | --    |
| 0007   | LAFN08224 |                  | DISQUE -                    | 1,00     |          |    | --    |
| 0008   | LAFN08225 |                  | PINCE -                     | 1,00     |          |    | --    |
| 0009   | MPVR11196 |                  | CARTER MOTORWHEEL MOCC00434 | 1,00     |          |    | --    |
| 0010   | MEVR02827 |                  | PLAQUETTE MOCC00445         | 1,00     |          |    | --    |



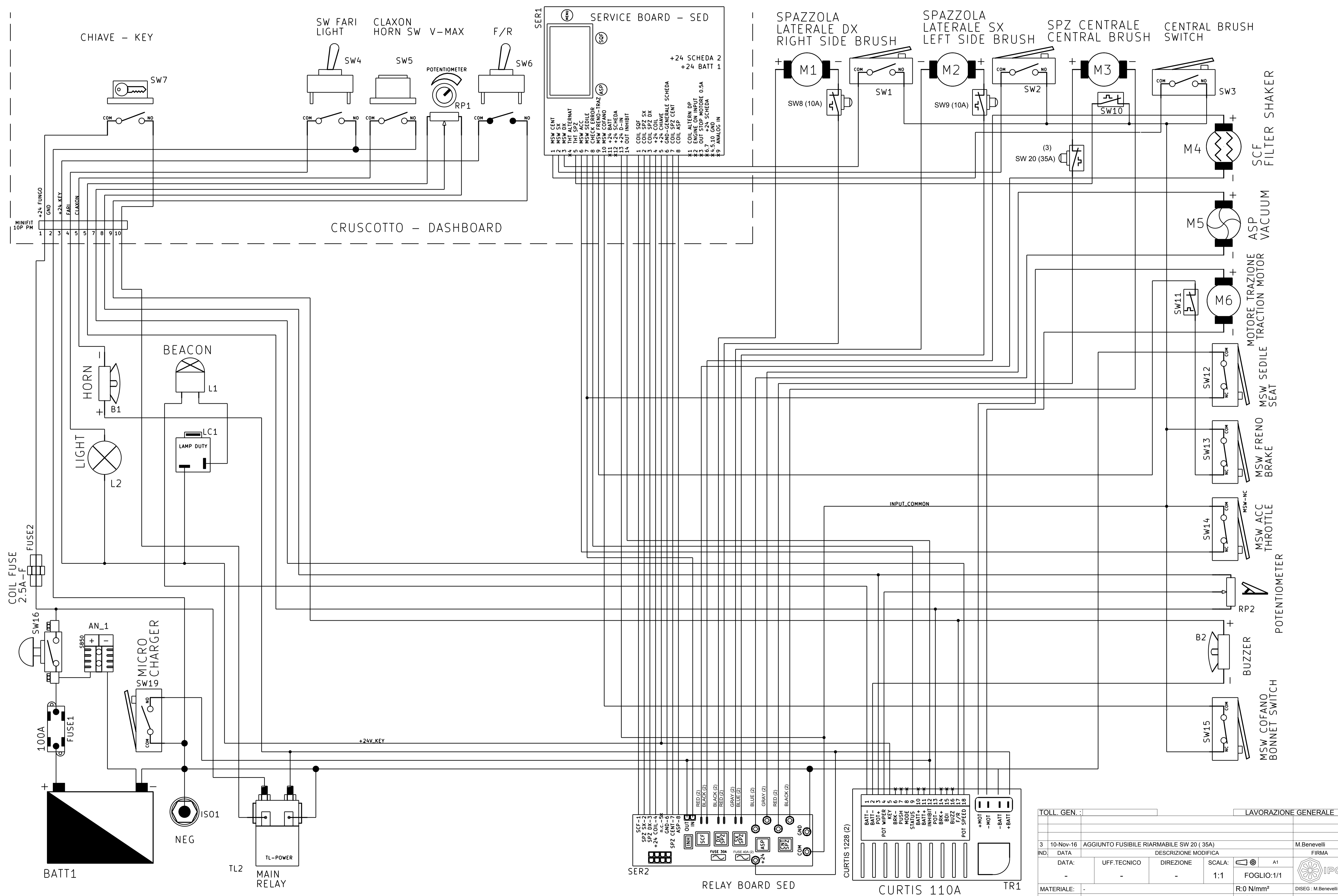
| Ref. K | Part N.   | Customer Part N. | Description                      | Quantity | Validity   |            | Price |
|--------|-----------|------------------|----------------------------------|----------|------------|------------|-------|
|        |           |                  |                                  |          | From       | To         |       |
| 0001   | ABGO00026 | 70775            | AMORTISSEUR                      | 2,00     |            |            | --    |
| 0002   | VTDD10776 | 05094            | ECROU M 8 X1 UNI 5588            | 4,00     |            |            | --    |
| 0003   | LAFN07862 |                  | BRIDE -                          | 1,00     |            |            | --    |
| 0004   | MECI75801 | 1380001          | MICROINTERRUPT. TK               | 1,00     |            |            | --    |
| 0005   | MEVR34820 | SL23838          | CABLAGE B 450 BT                 | 3,00     |            |            | --    |
| 0006   | MECI00114 | 70319            | MICROINTERRUPT.                  | 1,00     |            |            | --    |
| 0007   | ETET01798 |                  | ETICHETTE -                      | 1,00     |            |            | --    |
| 0008   | VTVT19236 | 1105777          | VIS TCCE UNI 5931 5X20 ZB        | 2,00     |            |            | --    |
| 0009   | MEVR01079 | SL23010K         | GOUPILLE M CB50 A 600V RD.       | 1,00     |            |            | --    |
| 0010   | MECI00571 |                  | BOUTON -                         | 1,00     |            |            | --    |
| 0011   | MEVR00146 | 1380151          | PORTE-FUSIBLES MEGA              | 1,00     |            |            | --    |
| 0012   | MEVR00145 | 1380150          | FUSIBLE 100A                     | 1,00     |            |            | --    |
| 0013   | MECE00592 |                  | FICHE POWER SERVICE 1250-1280    | 1,00     |            |            | --    |
| 0014   | MECE00201 | 71337            | RELAIS 24V 10-20 A               | 1,00     |            |            | --    |
| 0015   | MECE00201 | 71337            | RELAIS 24V 10-20 A               | 1,00     |            |            | --    |
| 0016   | MPVR85654 | 13201006         | CAOUTCHOUC SWEEP 1000 TK13201006 | 1,00     |            |            | --    |
| 0017   | LAFN08165 |                  | PEDALE -                         | 1,00     |            |            | --    |
| 0018   | VTDD00124 | SL05001          | ECROU M 8 BASSO                  | 1,00     |            |            | --    |
| 0019   | MECI75801 | 1380001          | MICROINTERRUPT. TK               | 2,00     |            |            | --    |
| 0020   | KTRI02289 |                  | KIT 1250-80                      | 1,00     |            |            | --    |
| 0021   | LAFN04042 | SL07527          | ENTRETOISE D8.5-15               | 1,00     |            |            | --    |
| 0022   | VTRS00504 | 05242            | RONDELLE D. 8 TE ZC. UNI 6592    | 1,00     |            |            | --    |
| 0023   | LAFN75969 | 2230005          | PIVOT D.9 H.33                   | 1,00     |            |            | --    |
| 0024   | VTVT01688 |                  | VIS TBEI M 8X 30 ISO 7380 IX     | 1,00     |            |            | --    |
| 0025   | MTIG85317 | 22501006         | ENGRENAGE SW 1000                | 1,00     |            |            | --    |
| 0026   | MLML85997 | 22051007         | RESSORT D. 2 TK1000              | 1,00     |            |            | --    |
| 0027   | LAFN47084 | 21101019         | DOUILLE L.14                     | 1,00     |            |            | --    |
| 0028   | VTVT00452 | 05020            | VIS TE 8X 50 UNI 5739            | 1,00     |            |            | --    |
| 0029   | MTIG85318 | 22501011         | ENGRENAGE SW 1000                | 1,00     |            |            | --    |
| 0030   | VTVT00021 | 1105071          | VIS TE UNI 5739 3X25 ZB          | 2,00     |            |            | --    |
| 0031   | VTDD00001 | 1105120          | ECROU UNI 5588 M3 ZB             | 4,00     |            |            | --    |
| 0032   | MECI30642 | SL23021          | MICRO-INTERRUP. 11A 0.33HP       | 1,00     |            |            | --    |
| 0033   | MEVR33430 |                  | KLAXON K100/Y 1A 24V             | 1,00     |            | 11/10/2015 | --    |
| 0033   | MEVR02112 |                  | CLAXON 24V                       | 1,00     | 12/10/2015 |            | --    |
| 0034   | VTVT00527 |                  | VIS TE FR 6X10 ZB ZIG.           | 1,00     |            |            | --    |
| 0035   | LAFN47030 | 21101006         | DOUILLE L.14                     | 1,00     |            |            | --    |
| 0036   | VTVT75731 | 1105482          | VIS SANS TETE UNI 5923 6X5       | 1,00     |            |            | --    |
| 0037   | MPVR45096 | 13201007         | CAOUTCHOUC V 1201 GR.            | 1,00     |            |            | --    |
| 0038   | LAFN47030 | 21101006         | DOUILLE L.14                     | 1,00     |            |            | --    |
| 0039   | LAFN09344 |                  | PEDALE -                         | 1,00     |            |            | --    |
| 0040   | LAFN47019 | 21101012         | DOUILLE L.14                     | 1,00     |            |            | --    |
| 0041   | LAFN47036 | 22301004         | PIVOT BRK.+FLAP L.14             | 1,00     |            |            | --    |
| 0042   | VTAE87276 | 1105410          | SEEGER EXT. D10 DIN471           | 1,00     |            |            | --    |
| 0043   | VTVT75731 | 1105482          | VIS SANS TETE UNI 5923 6X5       | 1,00     |            |            | --    |



| Ref. K | Part N.   | Customer Part N. | Description                 | Quantity | Validity |    | Price |
|--------|-----------|------------------|-----------------------------|----------|----------|----|-------|
|        |           |                  |                             |          | From     | To |       |
| 0044   | LAFN47035 | 2230015          | PIVOT CH.10 H.26            | 1,00     |          |    | --    |
| 0045   | MLML75960 | 2205005          | RESSORT D. 8 X1 X32         | 1,00     |          |    | --    |
| 0046   | LAFN47029 | 2230012          | PIVOT CH.10 H.16            | 1,00     |          |    | --    |
| 0047   | LAFN47032 | 22601002         | PEDALE L.14                 | 1,00     |          |    | --    |
| 0048   | VTVT75731 | 1105482          | VIS SANS TETE UNI 5923 6X5  | 1,00     |          |    | --    |
| 0049   | LAFN47033 | 21101005         | DOUILLE L.14                | 1,00     |          |    | --    |
| 0050   | LAFN47031 | 22301007         | PIVOT L.14                  | 1,00     |          |    | --    |
| 0051   | VTAE87276 | 1105410          | SEEGER EXT. D10 DIN471      | 1,00     |          |    | --    |
| 0052   | LAFN47030 | 21101006         | DOUILLE L.14                | 1,00     |          |    | --    |
| 0053   | LAFN47030 | 21101006         | DOUILLE L.14                | 1,00     |          |    | --    |
| 0054   | MECE00201 | 71337            | RELAIS 24V 10-20 A          | 1,00     |          |    | --    |
| 0055   | MEVR01136 | SL23148          | FUSIBLE 30A                 | 1,00     |          |    | --    |
| 0056   | MEVR02060 |                  | FUSIBLE 40A                 | 1,00     |          |    | --    |
| 0057   | VTDD21115 | SL05019          | ECROU M 3 INOX              | 2,00     |          |    | --    |
| 0058   | LAFN08202 |                  | PLAQUE -                    | 1,00     |          |    | --    |
| 0059   | MECE00601 |                  | FICHE 1250-1280             | 1,00     |          |    | --    |
| 0060   | MECE00591 |                  | FICHE LOGIC 1250-1280       | 1,00     |          |    | --    |
| 0061   | LAFN08204 |                  | FICHE -                     | 1,00     |          |    | --    |
| 0062   | MEVR02017 |                  | BEEPER -                    | 1,00     |          |    | --    |
| 0063   | MECE00182 | 70989            | BUZZER                      | 1,00     |          |    | --    |
| 0064   | MEVR01941 |                  | POTENTIOMETRE 100K          | 1,00     |          |    | --    |
| 0065   | KTRI01935 |                  | KIT 1050-1202               | 1,00     |          |    | --    |
| 0066   | MEVR85330 | 1180012          | BOUTON -                    | 1,00     |          |    | --    |
| 0067   | MECI75805 | 13801001         | INTERRUPTEUR TK             | 1,00     |          |    | --    |
| 0068   | MECI00520 |                  | PANIER FIX TO FIX CONTACT   | 1,00     |          |    | --    |
| 0069   | MECI00518 |                  | CONTACT NC                  | 1,00     |          |    | --    |
| 0070   | MECI00572 |                  | SELECTEUR -                 | 1,00     |          |    | --    |
| 0071   | VTVT00311 | 75218            | VIS TE M4X12                | 1,00     |          |    | --    |
| 0072   | VTDD04368 | 05090            | ECROU M 4 ZIN UNI 5588      | 1,00     |          |    | --    |
| 0073   | VTDD00491 |                  | ECROU M 6 TEF               | 1,00     |          |    | --    |
| 0074   | VTDD00124 | SL05001          | ECROU M 8 BASSO             | 2,00     |          |    | --    |
| 0075   | MEVR01116 | SL23103          | SUPPORT FUSIBLE 120 A       | 2,00     |          |    | --    |
| 0076   | VTRS01080 | 05136            | RONDELLE D. 8 GRW           | 2,00     |          |    | --    |
| 0077   | VTDD00483 | 05092            | ECROU M 8 ZIN UNI 5588      | 2,00     |          |    | --    |
| 0078   | VTVT01529 | 75104            | VIS TE M4X20 ZINC. UNI 5739 | 2,00     |          |    | --    |
| 0079   | VTDD04369 | 75259            | ECROU M 4 TEF UNI 7473      | 2,00     |          |    | --    |
| 0080   | VTVT00527 |                  | VIS TE FR 6X10 ZB ZIG.      | 3,00     |          |    | --    |
| 0081   | VTVT00659 | SL04065          | VIS TC+ M. 4-15             | 8,00     |          |    | --    |
| 0082   | MEVR01708 |                  | COLONNE -                   | 4,00     |          |    | --    |
| 0083   | VTVT75726 | 1105236          | VIS TBCE ISO 7380 6X16 ZB   | 2,00     |          |    | --    |
| 0084   | VTRS00503 | 05118            | RONDELLE D. 6 TE UNI 6798   | 2,00     |          |    | --    |
| 0085   | VTDD00491 |                  | ECROU M 6 TEF               | 2,00     |          |    | --    |
| 0086   | VTVT01170 |                  | VIS TC 2X16                 | 2,00     |          |    | --    |
| 0087   | MERL00018 |                  | MICROINTERRUPT.             | 1,00     |          |    | --    |



| Ref. K | Part N.   | Customer Part N. | Description                        | Quantity | Validity   |            | Price |
|--------|-----------|------------------|------------------------------------|----------|------------|------------|-------|
|        |           |                  |                                    |          | From       | To         |       |
| 0088   | VTDD00213 |                  | ECROU M2                           | 2,00     |            |            | --    |
| 0089   | VTVT16939 | SL04401          | VIS M 4X 16 TSPEI UNI 5933         | 2,00     |            |            | --    |
| 0090   | VTDD04369 | 75259            | ECROU M 4 TEF UNI 7473             | 2,00     |            |            | --    |
| 0091   | LAFN09383 |                  | BRIDE -                            | 1,00     |            |            | --    |
| 0092   | VTVT01350 |                  | VIS M3-20 INOX                     | 2,00     |            |            | --    |
| 0093   | MERL00016 |                  | RELAYS INTERR. 24V                 | 1,00     |            |            | --    |
| 0094   | MERL00016 |                  | RELAYS INTERR. 24V                 | 1,00     |            |            | --    |
| 0095   | MECE00456 |                  | RELAIS CT110                       | 1,00     |            |            | --    |
| 0096   | LAFN08166 |                  | PIVOT -                            | 1,00     |            |            | --    |
| 0097   | LAFN03742 | SL07164          | ENTRETOISE SILENZIATORE            | 1,00     |            |            | --    |
| 0098   | VTVT01669 |                  |                                    | 2,00     | 12/10/2015 |            | --    |
| 0099   | VTRS00501 | 05109            | RONDELLE D. 4 0.232 UNI 6592       | 2,00     | 12/10/2015 |            | --    |
| 0100   | LAFN09488 |                  | PLAQUE                             | 1,00     | 12/10/2015 |            | --    |
| 0101   | MECI00532 |                  | TELERUPTEUR 24V-100A               | 1,00     | 12/10/2015 |            | --    |
| 0102   | MEVR00080 | 1380090          | PORTE-FUSIBLES PV610 10A           | 1,00     | 12/10/2015 |            | --    |
| 0103   | MEVR00072 | 1380079          | FUSIBLE 2.5A F6.3X32-100/110V      | 1,00     | 12/10/2015 |            | --    |
| 0104   | VTVT34115 | 75019            | VIS TE M 5X 10 UNI 5739            | 1,00     | 12/10/2015 |            | --    |
| 0105   | VTVT00005 | 1105023          | VIS TE FR 5X12 ZB                  | 1,00     | 12/10/2015 |            | --    |
| 0106   | VTRS15958 | 1105808          | RONDELLE UNI 6592 5X15X1,5 ZB      | 1,00     | 12/10/2015 |            | --    |
| 0107   | LAFN07380 |                  | BRIDE G1050                        | 1,00     | 12/10/2015 |            | --    |
| 0108   | MTCR00029 | 70311            | CHAINETTE                          | 0,17     | 12/10/2015 |            | --    |
| 0109   | MPVR00351 | 2120153          | CONTENEUR BATTERIA TK1000E         | 1,00     |            | 29/03/2016 | --    |
| 0109   | LAFN09487 |                  | PLAQUE                             | 1,00     | 30/03/2016 |            | --    |
| 0110   | VTRS00023 | 1105754          | RONDELLE DENTATA INT.UNI 6798 D.18 | 1,00     | 10/11/2016 |            | --    |
| 0111   | VTVT00722 | SL04179          | VIS                                | 2,00     | 18/01/2017 |            | --    |
| 0112   | VTDD00210 |                  | ECROU M 3 AUTOBL.DIN 985 IX.A2     | 2,00     | 18/01/2017 |            | --    |
| 0113   | MEVR02899 |                  | FUSIBLE 35A                        | 1,00     | 18/01/2017 |            | --    |
| 0114   | MEVR02900 |                  | CAPUCHON -                         | 1,00     | 18/01/2017 |            | --    |



|                         |             |   |                       |
|-------------------------|-------------|---|-----------------------|
| TOLL. GEN. :            |             | LAVORAZIONE GENERALE                      |                       |
| 3                       | 10-Nov-16   | AGGIUNTO FUSIBILE RIARMABILE SW 20 ( 35A) | M.Benevelli           |
| DATA                    | UFF.TECNICO | DIREZIONE                                 | SCALA: A1             |
| -                       | -           | -   | FOGLIO:1/1            |
| MATERIALE:              | -           | R:0 N/mm <sup>2</sup>                     | DISEG : M.Benevelli   |
| STATO:                  | -           | PESO:0,000 Kg                             | FTECN : F. Reccanello |
| TRATTAM:                | -           | DUREZZA:-                                 | DATA : 10-Nov-16      |
| DENOMINAZIONE:          |             | CODICE:                                   | COD.COMM:             |
| SCHEMA ELETTRICO 1250 E |             | PLDC02115_3                               | -                     |

Il presente disegno è proprietà di IP Chassis S.p.A. E' vietata la riproduzione o la divulgazione a terzi di tutto o di parte del disegno.