

15-110-09522000

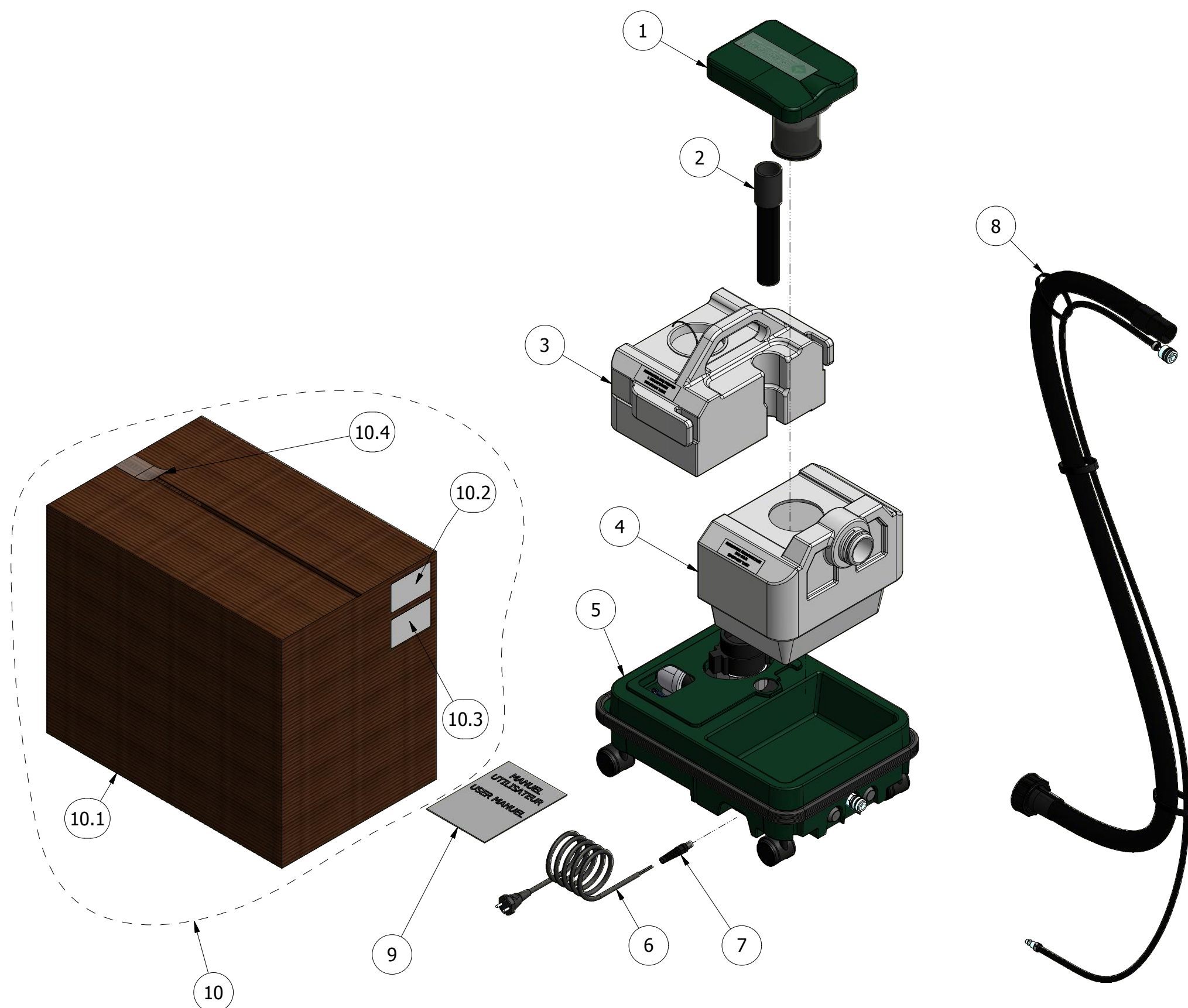
EXTRACTOR ES95 230V 1000W 8.5L
MEMBRANE PUMP EUR

15-110-09522000

INJ-EXT ES95 230V 1000W 7.5L EUR **

**LISTE DES PIECES / PARTS LIST**

N°	Qt.	Réf. Interne	Réf. Commercial	Désignation	Description
1	1	45-140-00991100	49-150-00991100	COUVERCLE ES95-145-245 COMPLET *	ES95-145 TOP COVER COMPLETE
2	1	45-230-00991000	49-200-00991000	TUBE DEPRESSION & JOINT 210 mm ES95-ES08-AX9 *	SUCTION TUBE & GASKET 210 mm ES 95-ES08-AX9
3	1	45-125-00992000	49-105-00992000	RESERVOIR EAU PROPRE ES08-ES95-AX9 COMPLET *	CLEAR WATER TANK ES08-ES95-AX9 COMPLETE
4	1	45-125-00991800	49-105-00991800	RESERVOIR EAU SALE ES08-ES95-AX9 COMPLET *	EQUIPPED RECOVERY TANK ES95
5	1	45-160-14590200	49-285-14590200	EMBASE ES95-ES145 230V COMPLET *	BASE COMPLETE ES95-ES145 230V COMPLETE
6	1	55-160-02704700	49-140-02704700	CORDON ALIM. 2x1 ² 10M EUR	ELECTRIC CABLE 2x1 ² mm L. 10M EUR
7	1	55-180-10015300	49-140-10015300	MANCHON SERRE CABLE BS-M 12 XL	CABLE CLAMP BS-M 12 XL
8	1	45-155-00996700	49-175-00996700	FLEXIBLE INJ-EXT Ø32 Lg 2.2M COMPLET *	VACUUM HOSE & SPRAY Ø32 L. 2.2M COMPLETE
9	1	61-130-09502500	N/C	MANUEL UTILISATEUR ES08-13-95-145-245 120/230V	
10	1	45-290-01610005	N/C	KIT CARTON 016100 *	N/C
10.1	1	56-100-01610000	49-160-01610000	CARTON EXTR. 600x395x505	BOX 600x395x505
10.2	1	61-110-00006200	N/C	ETIQUETTE COLIS 102x64	
10.3	1	61-110-00006400	N/C	ETIQUETTE N° SERIE BOITE 102x64	
10.4	1	56-120-99900640	N/C	ADH. EMB. PVC HAVANE 48mm x 100ML	N/C

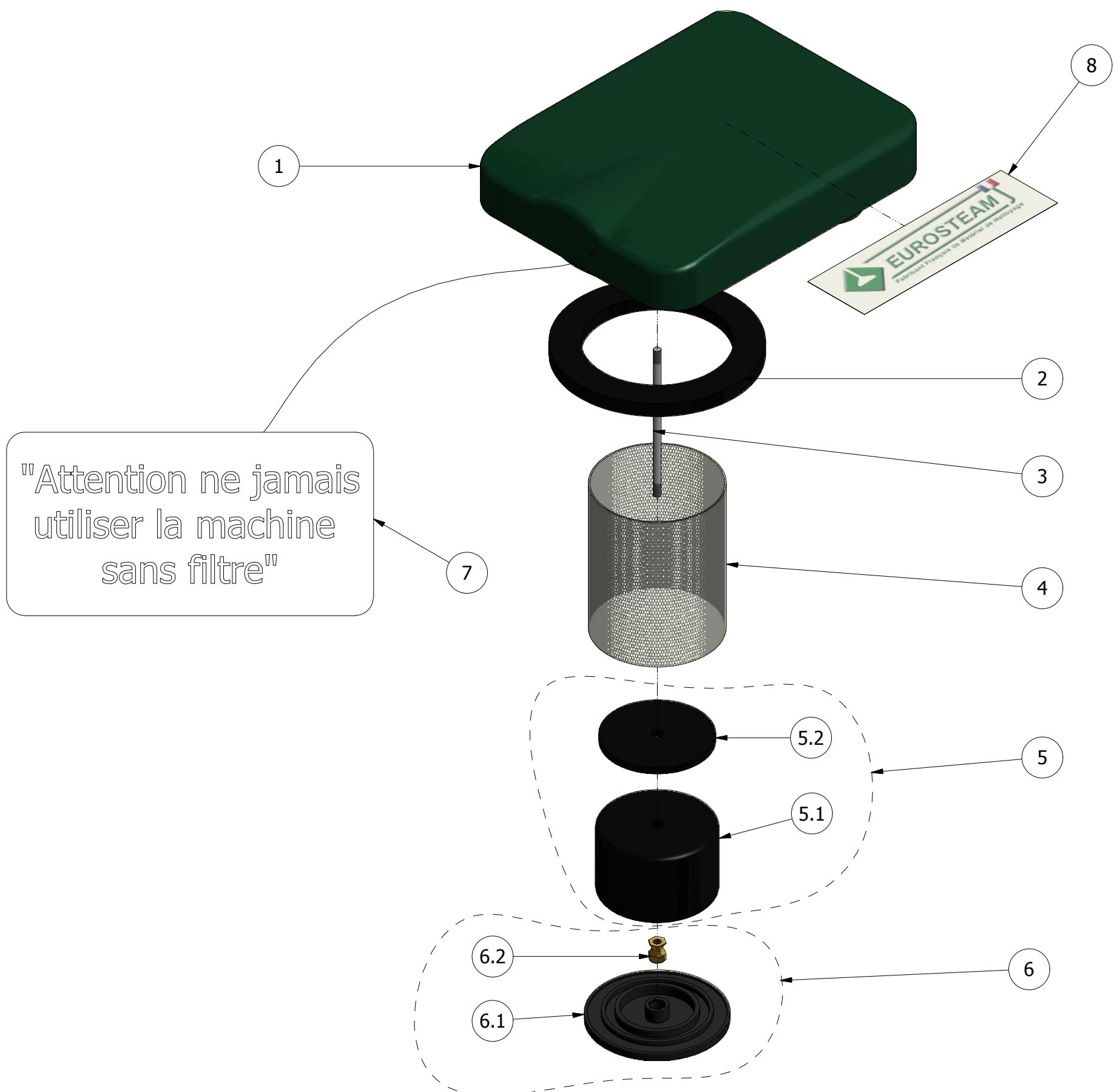
**EUROSTEAM**

165, Rue du Général de Gaulle BP1 - 76770 LE HOULME - France
Tél. 02 35 07 53 07 Fax. 02 35 88 77 38
email: info@eurosteam.fr Site Web: www.eurosteam.fr

PAGE
1 / 14Modifié le : 24/01/2017
Édition : 11

LISTE DES PIECES / PARTS LIST

N°	Qt.	Réf. Interne	Réf. Commercial	Désignation	Description
1	1	45-105-00951100	49-225-00951100	DEFONÇAGE COUVERCLE ES95-ES145 *	ES95 - ES145 TOP COVER
2	1	66-110-00902900	49-195-00902900	MOUSSE COUVERCLE Ø134 EPDM	TOP COVER FOAM Ø134 NEOPRENE
3	1	53-100-01200200	49-290-01200200	AXE Ø 5 Lg 111mm 2xM5 INOX	FILTER AXIS Ø5mm
4	1	59-100-00912400	49-170-00912400	FILTRE INOX PETITES MACHINES	STAINLESS FILTER SMALL MACHINES
5	1	45-140-00991200	49-200-00991200	FLOTTEUR AVEC MOUSSE Ø77 *	FLOAT WITH FOAM
5.1	1	45-105-00951300	N/C	DEFONÇAGE FLOTTEUR H.50mm Ø 77mm	N/C
5.2	1	66-110-00922300	49-195-00922300	MOUSSE FLOTTEUR Ø73 EXT.	FOAM FLOAT Ø73
6	1	45-140-00901400	49-170-00901400	RONDELLE FILTRE + INSERT *	WASHER + INSERT
6.1	1	45-140-00901400	49-170-00901400	RONDELLE FILTRE + INSERT *	WASHER + INSERT
6.2	1	53-120-00902800	N/C	INSERT LAITON M5	N/C
7	1	61-100-00006600	49-180-00006600	ETI.ADH. NE PAS UTILISER SANS FILTRE	STICKER DO NOT USE WITHOUT FILTER
8	1	61-100-10031500	49-180-10031500	ETI.ADH. EUROSTEAM BLANC	STICKER EUROSTEAM

**EUROSTEAM**

165, Rue du Général de Gaulle BP1 - 76770 LE HOULME - France
Tél. 02 35 07 53 07 Fax. 02 35 88 77 38
email: info@eurosteam.fr Site Web: www.eurosteam.fr

PAGE
2 / 14

Modifié le : 02/03/2017
Édition : 11

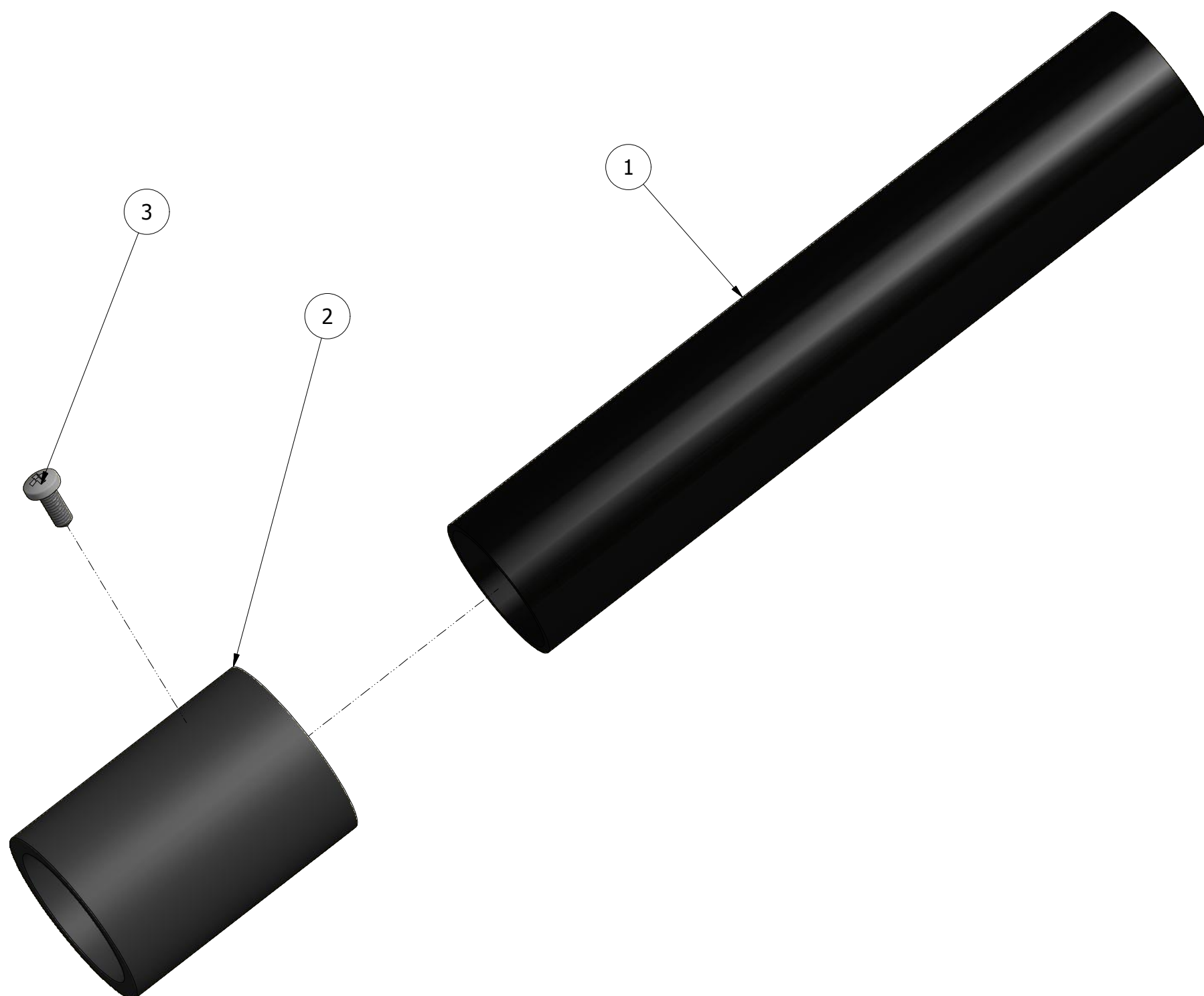
49-200-00991000
SUCTION TUBE & GASKET 210 mm ES
95-ES08-AX9

45-230-00991000
TUBE DEPRESSION & JOINT 210 mm
ES95-ES08-AX9 *



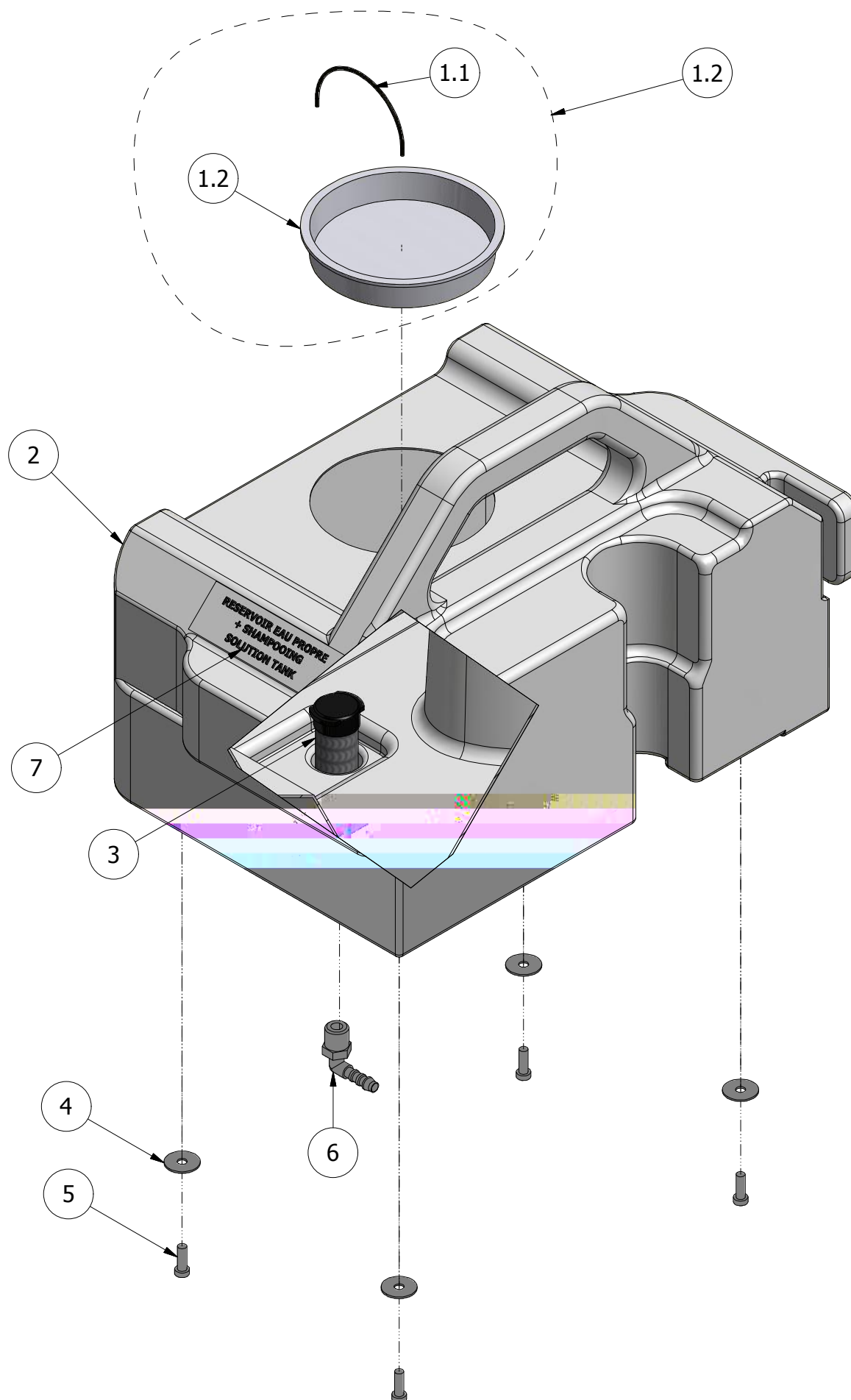
LISTE DES PIECES / PARTS LIST

N°	Qt.	Réf. Interne	Réf. Commercial	Désignation	Description
1	1	74-110-00901000	49-255-00901000	TUBE PVC NOIR Ø36x40 L. 210mm	BLACK PVC TUBE Ø36x40 L. 210mm
2	1	74-120-00901200	49-260-00901200	TUBE CAOUTCHOUC. Ø50x40 L. 70mm	RUBBER TUBE Ø50 L. 70MM
3	1	75-140-01601900	49-275-01601900	VIS TOLE CBLZ ST 4,8x13 C ZN (X10)	SHEET METAL SCREW CBLZ 4.8x13 C ZN (X10)



LISTE DES PIECES / PARTS LIST

N°	Qt.	Réf. Interne	Réf. Commercial	DESCRIPTION	Description
1	1	45-140-01092100	49-285-01092100	BOUCHON B990 AVEC DRISSE 20cm *	CLOSURE B990 WITH HALYARD L. 0.2M
1.1	1	45-135-02066400	N/C	DRISSE Ø2 NOIR Lg 0.200M *	N/C
1.2	1	57-100-00907200	49-165-00907200	BOUCHON GPN 600 B990 NATURE	GPN STOPPER 600 B990
2	1	45-105-00952000	49-225-00952000	DEFONÇAGE RESERVOIR EAU PROPRE ES95 *	SOLUTION TANK ES 95
3	1	59-100-00913600	49-170-00913600	CREPINE D'ASPIRATION	ASPIRATION FILTER
4	4	75-130-04000800	49-275-04000800	RONDELLE PLATE LL 5 ZN	FLAT RING LL 5 ZN (X10)
5	4	75-140-00904800	49-275-00904800	VIS CBZ M5x16 ZN TETE Ø8mm	CBZ SCREW M5x16 ZN HEAD Ø8mm (X10)
6	1	69-120-04005100	49-215-04005100	RACCORD COUDE WES 06 1/4 PLAST	ELBOW WES 06 1/4 PLASTIC
7	1	49-180-01500500	ETI.ADH. RESERVOIR EAU PROPRE	STICKER WATER TANK	



EUROSTEAM

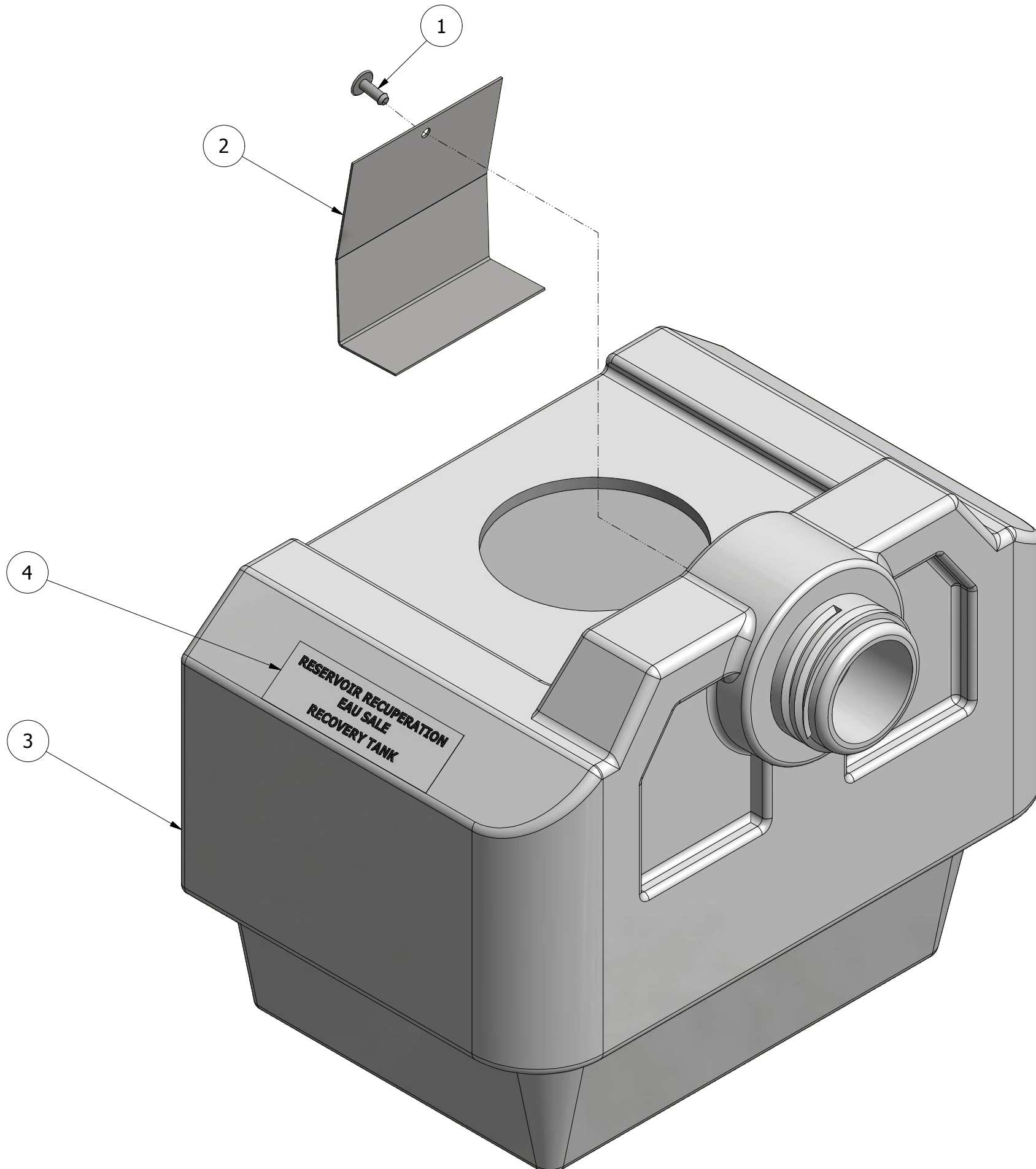
49-105-00991800

EQUIPPED RECOVERY TANK ES95

45-125-00991800

RESERVOIR EAU SALE ES08-ES95-AX9
COMPLET ***LISTE DES PIECES / PARTS LIST**

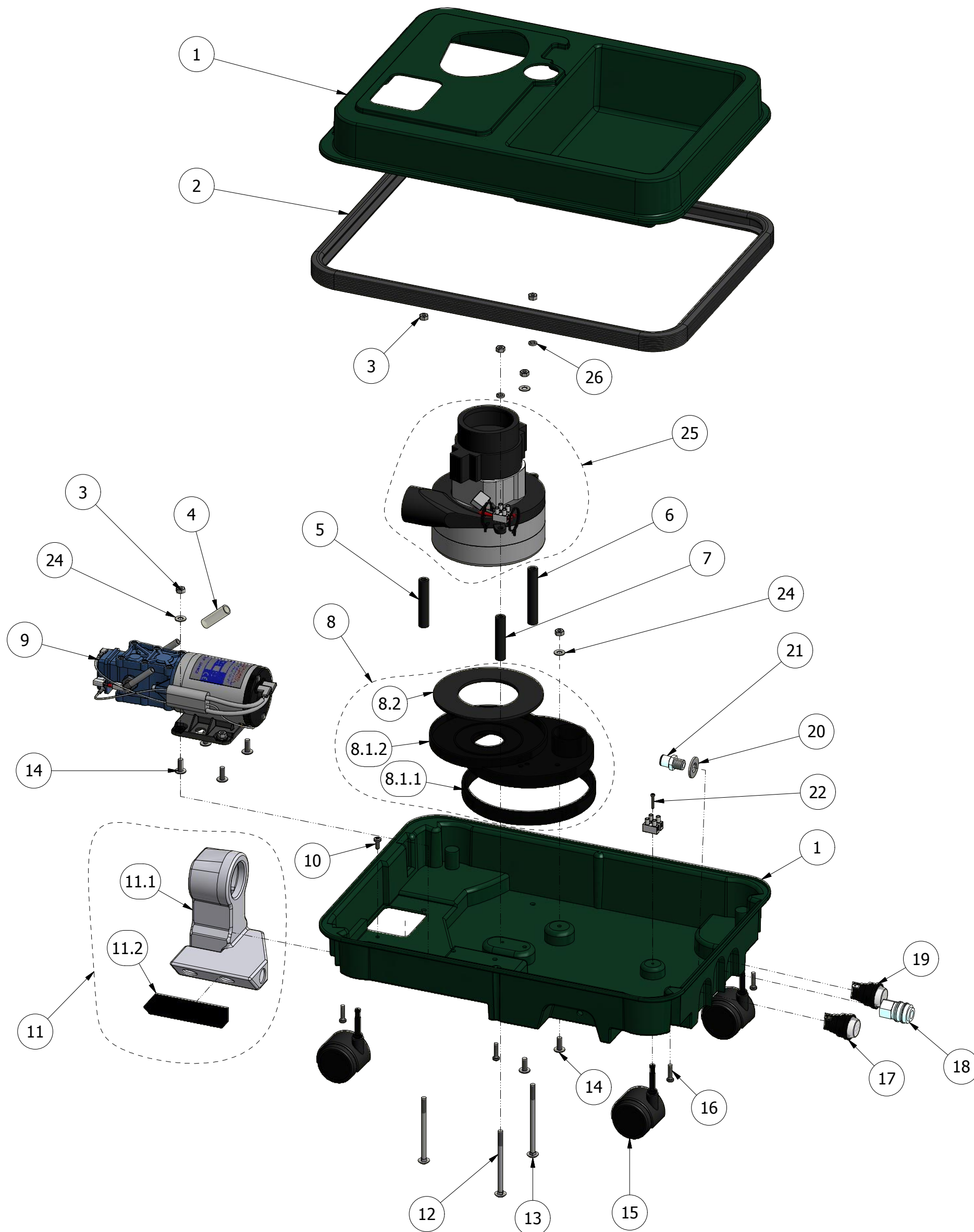
N°	Qt.	Réf. Interne	Réf. Commercial	Désignation	Description
1	1	75-120-02712100	49-275-02712100	RIVET 4,8x14,5 ETANCHE ALU/ACIER (X10)	RIVET 4.8x14 WATERPROOF ALU/STEEL (X10)
2	1	72-100-00908200	49-240-00908200	DEFLECTEUR INOX RESERVOIR PM	DEFLECTING STAINLESS STEEL PLATE PM
3	1	45-105-00951900	49-225-00951900	RESERVOIR EAU SALE ES9-ES95 NU *	RECOVERY TANK ES 9 ES 95
4	1	61-100-01500400	49-180-01500400	ETI.ADH. RESERVOIR EAU SALE	STICKER RECOVERY TANK

**EUROSTEAM**

165, Rue du Général de Gaulle BP1 - 76770 LE HOULME - France
Tél. 02 35 07 53 07 Fax. 02 35 88 77 38
email: info@eurosteam.fr Site Web: www.eurosteam.fr

PAGE
5 / 14

Modifié le : 01/12/2016
Édition : 11



LISTE DES PIECES / PARTS LIST

N°	Qt.	Réf. Interne	Réf. Commercial	Désignation	Description
1	1	45-105-00952200	49-225-00952200	DEFONÇAGE BAC INFERIEUR ES95-145 230V INTER ROND *	MAIN FRAME ES9/14 ROUND SWITCH
2	1	45-165-00950600	49-200-00950600	JOINT PARE CHOC Lg 1.58M ES95-ES145 *	ES95-145 BUMPER L 1,58M
3	9	75-110-00902400	49-275-00902400	ECROU HU M6 INOX DIN 934	HU NUT M6 STAINLESS STEEL (x10)
4	1	45-230-09550200	49-260-00013600	TUYAU PVC 10X13 Lg 0.350M *	PVC HOSE 10x13 TRANSLUCENT
5	1	74-110-01706300	49-255-01706300	ENTRETOISE PVC 6,5x13x66 NOIRE	PVC BAR 6.5x13x66 BLACK
6	1	74-110-01706400	49-255-01706400	ENTRETOISE PVC 6,5x13x78 NOIRE	PVC BAR 6.5x13x78 BLACK (x2)
7	1	74-110-01706100	49-255-01706100	ENTRETOISE PVC 6,5x13x60 NOIRE	PVC BAR 6.5x13x60 BLACK
8	1	45-160-00994500	49-285-00994500	EMBASE GROUPE ASS.+JOINT PLAT *	VACUUM MOTOR HOLDER ASSEMBLY
8.1.1	1	45-165-00951500	49-285-00951500	JOINT PLAQUE SUPPORT MOTEUR *	GASKET PLATE HOLDER
8.1.2	1	62-100-00900500	49-100-00900500	EMBASE DE GROUPE	VACUUM BASE
8.2	1	63-100-00910600	49-185-00910600	JOINT PLAT Ø142x78mm EP.4mm	FLAT GASKET Ø142x78mm EP.4mm
9	1	45-210-09212110	49-205-09594500	POMPE 230V 40W 2200Tr EXC.N°1 ES95-ES145-ES245 COMPLETE *	MEMBRANE PUMP 2i 230V 40W 2200 Rpm EXC.N°1 ES95 - ES145 COMPLETE
10	1	75-140-01601900	49-275-01601900	VIS TOLE CBLZ 4,8x13 ZN ISO 7049	SHEET METAL SCREW CBLZ 4.8x13 C ZN (X10)
11	1	45-160-00992301	49-285-00992301	POT ECHAPPEMENT ES95-ES145 COMPLET *	MUFFLER ES95-08-13-145 COMPLETE
11.1	1	45-105-00950700	N/C	DEFONÇAGE POT ECHAPPEMENT ES95-ES145 *	N/C
11.2	1	66-110-00905700	49-195-00905700	MOUSSE PPI 10 100x50x20	RUBBER FOAM PPI
12	2	75-140-01001600	49-275-01001600	VIS RCC JAPY M6x90 ZN DIN 603	RCC SCREW JAPY M6x90 ZN
13	1	75-140-10009300	49-275-10009300	VIS RCC JAPY M6x100 ZN DIN 603	RCC SCREW JAPY M6x100 ZN
14	6	75-140-00903000	49-275-00903000	VIS POELIER H M6x20 ZN	POELIER SCREW H M6x20 ZN (x10)
15	4	70-110-02711300	49-230-02711300	ROUE Ø 50 PIVOTANTE L 7x36	SWIVELING WHEEL D. 50mm
16	6	75-140-02700500	49-275-02700500	VIS AUTOF.PLAST.CBZ 5x20 INOX	SELF TAPPING SCREW FOR PLASTIC CBZ 5x20 STAINLESS STEEL (X10)
17	1	45-145-01091500	49-140-01091500	INTERRUPTEUR ROND VACUUM ASSEMBLE *	VAC. ROUND SWITCH COMPLETE
18	1	69-100-01605800	49-215-01605800	COUPLEUR DN 5 US - G 1/4 F - NIC.	COUPLING ESAN 14IRV NICKEL
19	1	45-145-01091600	49-140-01091600	INTERRUPTEUR ROND SPRAY ASSEMBLE *	SPRAY ROUND SWITCH COMPLETE
20	1	75-130-00911800	49-275-00911800	RONDELLE PLATE M 12 INOX	FLAT WASHER M12 STAINLESS STEEL (X4)
21	1	69-110-01605700	49-215-01605700	RACCORD DROIT 08 - M 1/4 NIC. - FILETAGE:12mm	STRAIGHT CONNECTOR 08 - M 1/4 NIC. - 12mm
22	1	75-140-00905000	49-275-00905000	VIS TOLE CBLZ 2,9x19 ZN ISO 7049	SHEET METAL SCREW CBLZ ST 2.9x19 C ZN (X10)
23	1	45-145-00994300	49-140-00994300	DOMINO + 4 FILS GAINES ASSEMBLES *	DOMINO +4 CABLES ASSEMBLY
23.1	1	55-110-00016600	N/C	GAINES TRESSEE SILICO. ROUGE Ø4	N/C
23.2	1	45-145-00952600	49-140-00952600	TERMINAL 2 POLES 6mm ² *	
23.3	1	45-145-00904100	N/C	FIL MARRON 1 ² Lg 170mm (1X6.35mm) *	N/C
23.4	1	45-145-00904200	N/C	FIL BLEU 1 ² Lg 170mm (1X6.35) *	N/C
23.5	1	55-180-04008500	49-140-04008500	COLLIER COLRING 2,5x98 NOIR	BLACK COLRING COLLAR 2.5x98mm (X10)
24	6	75-130-01209500	49-275-01209500	RONDELLE PLATE M 6 INOX	FLAT WASHER M 6 STAINLESS (X10)
25	1	45-180-00994100	49-190-00994100	GROUPE ASPIRATION ES95-ES145 230 V 1000 W ASSEMBLE *	VACUUM MOTOR 230V 1000W ES95-ES145 COMPLETE
26	2	75-130-00906000	49-275-00906000	RONDELLE GROWER W6 BIC	FLAT WASHER GROWER W6 (x10)
27	1	61-110-00006500	N/C	ETIQUETTE N° SERIE MACHINE 70x30	

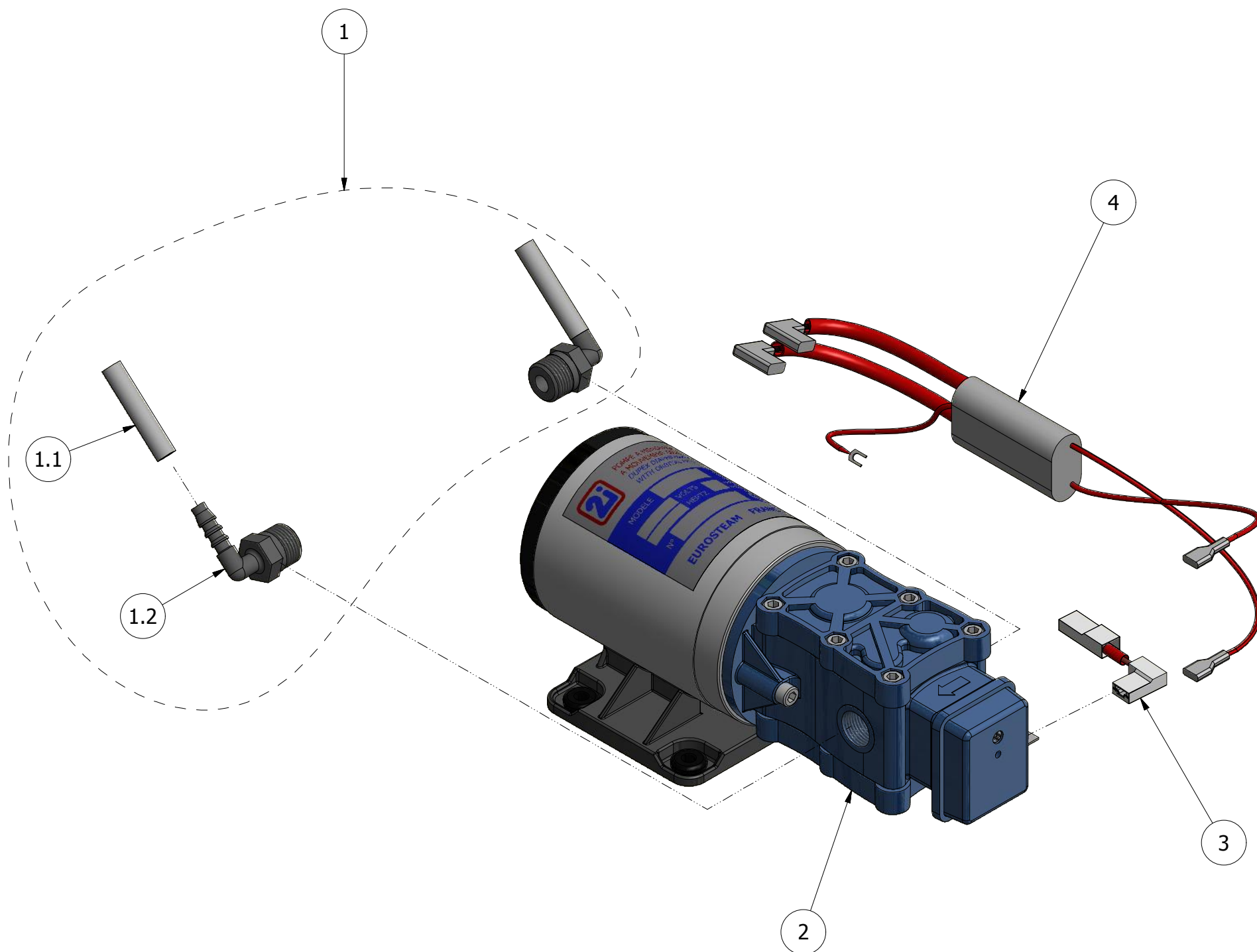
49-205-09594500

MEMBRANE PUMP 2i 230V 40W 2200
Rpm EXC.N°1 ES95 - ES145 COMPLETE

45-210-09212110

POMPE 230V 40W 2200Tr EXC.N°1
ES95-ES145-ES245 COMPLETE ***LISTE DES PIECES / PARTS LIST**

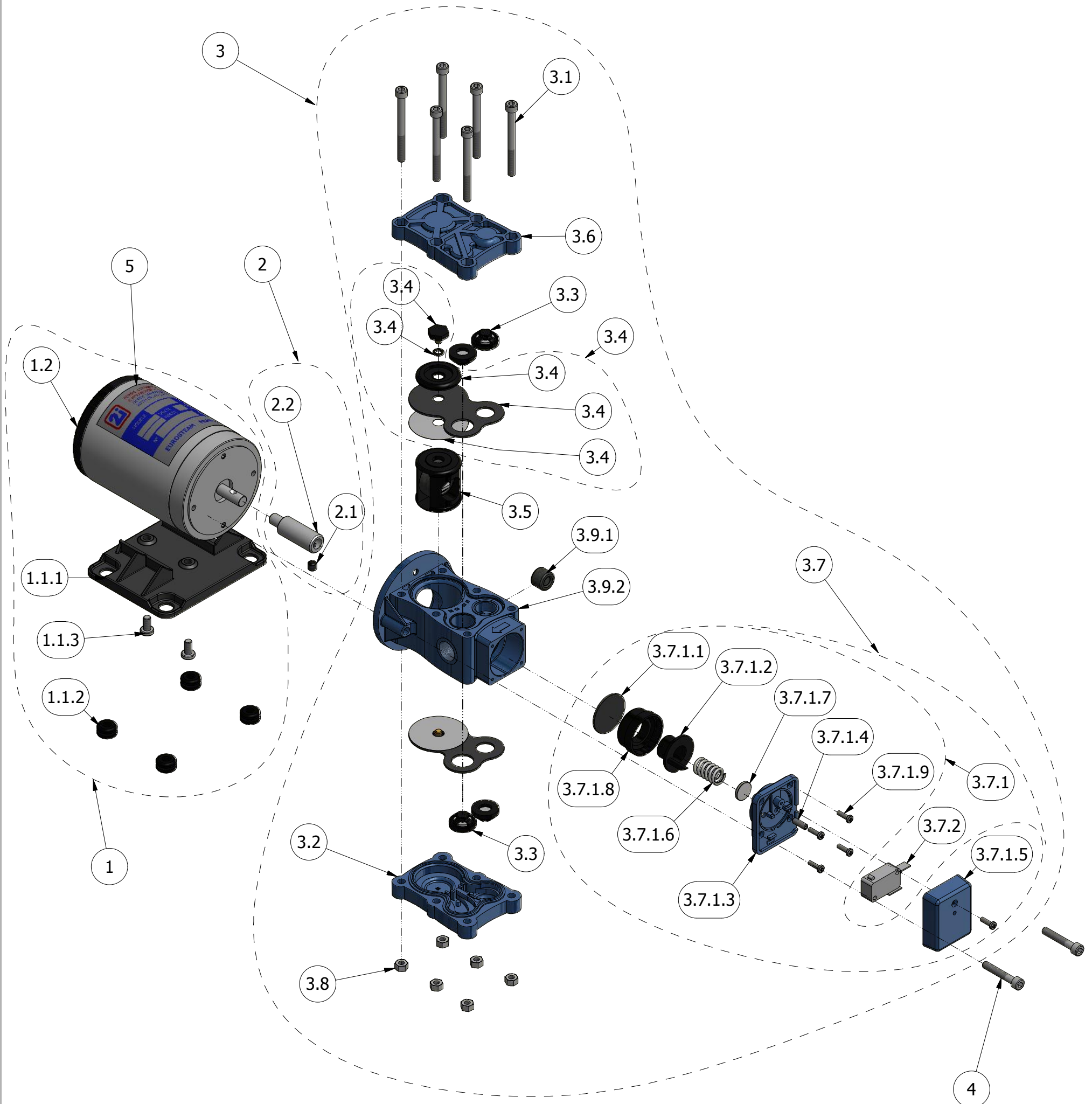
N°	Qt.	Réf. Interne	Réf. Commercial	Désignation	Description
1	1	45-190-09594300	N/C	KIT 95944 MONTE SUR 002960	N/C
1.1	2	45-230-01452700	N/C	TUYAU PU 5,5x8 L. 0.410M *	RISLAN HOSE 6x8 L. 0.410m
1.2	2	69-120-01600900	49-215-01600900	RACCORD COUDE WES 06 3/8 PLAST	ELBOW CONNECTOR WES 06 3/8 PLAST
2	1	45-210-09212100	49-205-00212100	POMPE 230V 40W 2200Tr EXC.N°1 *	MEMBRANE PUMP 2i 230V 40W 2200Tr EXC.N°1
3	1	45-145-00214600	49-140-00214600	FIL MARRON 1 ² L. 500mm GAINÉ	WIRE BROWN 1 ² L.500mm
4	1	55-130-00211600	49-140-00211600	FILTRE ANTIPARASITE GAINÉ	SUPPRESSOR FILTER WRAPPED

**EUROSTEAM**

165, Rue du Général de Gaulle BP1 - 76770 LE HOULME - France
Tél. 02 35 07 53 07 Fax. 02 35 88 77 38
email: info@eurosteam.fr Site Web: www.eurosteam.fr

PAGE
8 / 14

Modifié le : 24/01/2017
Édition : 11

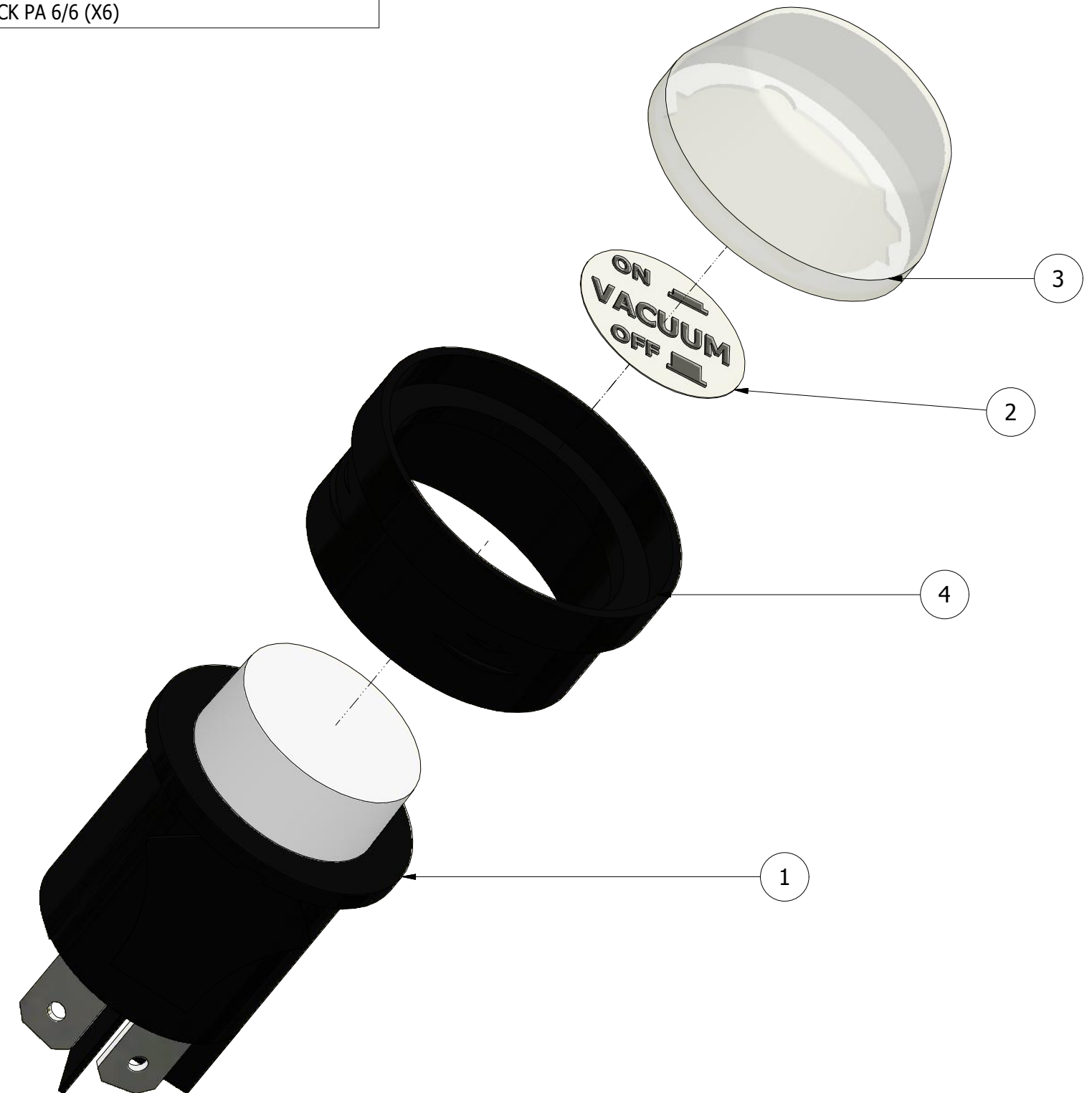


LISTE DES PIECES / PARTS LIST

N°	Qt.	Réf. Interne	Réf. Commercial	Désignation	Description
1	1	45-180-00292041	49-205-00292041	MOTEUR 230V 40W 2200 T + 75-140-03413000 (X2) + Support Assemblé *	MOTOR 230V 40W 2200 Rpm ASS.
1.1	1	45-190-00292700	49-205-00292700	SUPPORT MOTEUR NYLON ASS + VIS *	POMP HOLDER
1.1.1	1	62-130-00202700	N/C	SUPPORT MOTEUR POMPE NYLON	N/C
1.1.2	4	55-180-00202900	49-140-00202900	PASSE FIL ANTIVIBRATOIRE	ANTIVIBRATORY SLEEVE (X10)
1.1.3	2	75-140-00202800	49-275-00202800	VIS TAPTITE CBZ M5x10 INOX	TAPTITE SCREW CBLZ M5x10 ZN (X10)
1.2	1	45-180-00222600	49-190-00222600	MOTEUR 230V 40W 2200 Tr + (x2) 75-140-03413000 *	MOTOR 230V 40W 2200T WITH SCREWS
2	1	45-190-00291800	49-205-00291800	EXCENTRIQUE N°1 ASSEMBLE *	ECCENTRIC N°1 ASSEMBLY
2.1	1	75-140-00201900	49-275-00201900	VIS STHC M6x6 BOUT CUVETTE NOIRE	BLACK WITHOUT HEAD SCREW M6x6
2.2	1	53-110-00211800	N/C	EXCENTRIQUE N°1	N/C
3	1	45-190-00296000	49-205-00296000	TETE DE POMPE PTFE SANS EXCENTRIQUE	PUMP HEAD WITHOUT ECCENTRIC
3.1	6	75-140-00203100	49-275-00203100	VIS CHC M5x55 ZN ISO 4762	HSHC SCREW M5x55 ZN ISO 4762 (X10)
3.2	1	62-130-00202301	49-205-00202301	CULASSE N° II NYLON	LOWER CULET NYLON
3.3	1	45-190-00292100	49-205-00292115	CLAPETS MONTES PTFE (X4) *	VALVES ASS. (X4)
3.4	1	45-190-00292500	49-205-00292500	MEMBRANES DE POMPE (2 ENSEMBLES COMPLETS) *	PUMP MENBRANE (X2)
3.5	1	45-190-00291300	49-205-00291300	PISTON DE POMPE COMPLET *	COMPLETE PISTON PUMP
3.6	1	62-130-00201101	49-205-00201101	CULASSE N° I NYLON	UPPER CULET NYLON
3.7	1	45-190-00290500	49-205-00290500	ENSEMBLE PRESSOSTAT 110/230V NYLON *	110/230V NYLON PRESSURE SWITCH SET
3.7.1	1	45-190-00290400	49-205-00290400	ENSEMBLE PIECES PRESSOSTAT NYLON *	ALL PARTS NYLON PRESSURE SWITCH WITHOUT SWITCH
3.7.1.1	1	67-100-00201000	49-205-00201000	MEMBRANE PRESSOSTAT	PRESSOSTAT DIAPHRAGM
3.7.1.2	1	62-130-00200800	49-205-00200800	PISTON PRESSOSTAT POLYPRO.	PISTON PRESSOSTAT POLYPRO (X2)
3.7.1.3	1	62-130-00200500	49-205-00200500	CAPOT INTERMEDIAIRE POLYPRO.	INTERMEDIATE HOOD POLYPRO.
3.7.1.4	1	75-140-00200400	49-275-00200400	VIS STHC M4x12 BOUT CUVETTE INOX	STAINLESS WITHOUT HEAD SCREW M4x12 (X10)
3.7.1.5	1	62-130-00200100	49-205-00200100	CAPOT SWITCH POLYPRO.	SWITH HOOD POLYPRO.
3.7.1.6	1	58-110-00204400	N/C	RESSORT DE PRESSOSTAT 20x12,5mm	N/C
3.7.1.7	1	53-120-00202000	N/C	RONDELLE D'APPUI INOX PRESSOST	N/C
3.7.1.8	1	62-130-00200900	N/C	CHEMISE PRESSOSTAT POLYPRO.	N/C
3.7.1.9	5	75-140-00200300	49-275-00200300	VIS AUTOF.PLAST.CBX 3x10 F ZN	SELF TAPPING SCREW FOR PLASTIC CBX 3x10 F ZN (X10)
3.7.2	1	55-150-00200200	49-140-00200200	MINIRUPTEUR - NF	MICROSWITCH - NF
3.8	6	75-110-00203200	49-275-00203200	ECROU HU M5 INOX DIN 934	HU NUT M5 STAINLESS STEEL (X10)
3.9	1	45-190-00201501	N/C	CORPS DE POMPE NYLON & DOUILLE PRESSOSTAT*	N/C
3.9.2	1	62-130-00201597	N/C	CORPS DE POMPE-NYLON	N/C
3.9.1	1	73-120-00201600	N/C	ROULEMENT A AIGUILLES DLF0810	N/C
4	2	75-140-00202600	49-275-00202600	VIS CHC M5x30 ZN ISO 4762	HSHC SCREW M5x30 ZN ISO 4762 (X10)
5	1	61-110-00204100	N/C	ETI.ADH. POMPE VIERGE	

LISTE DES PIECES / PARTS LIST

N°	Qt.	Réf. Interne	Réf. Commercial	Désignation	Description
1	1	55-150-03407500	N/C	INTER. LUMIN.CRISTAL (SANS CAPOT)	N/C
2	1	61-100-00003502	49-180-00003500	ETI.ADH. "VACUUM"	ADH.STICKER VACUUM
3	1	55-150-00904900	49-140-00904900	CAPOT ETANCHE POUR INTER. ROND	WATERPROOF ROUND HOOD FOR SWITCH X10
4	1	55-150-00903400	49-140-00903400	COLLERETTE CL 60 NOIRE PA 6/6	COLLAR CL 60 BLACK PA 6/6 (X6)



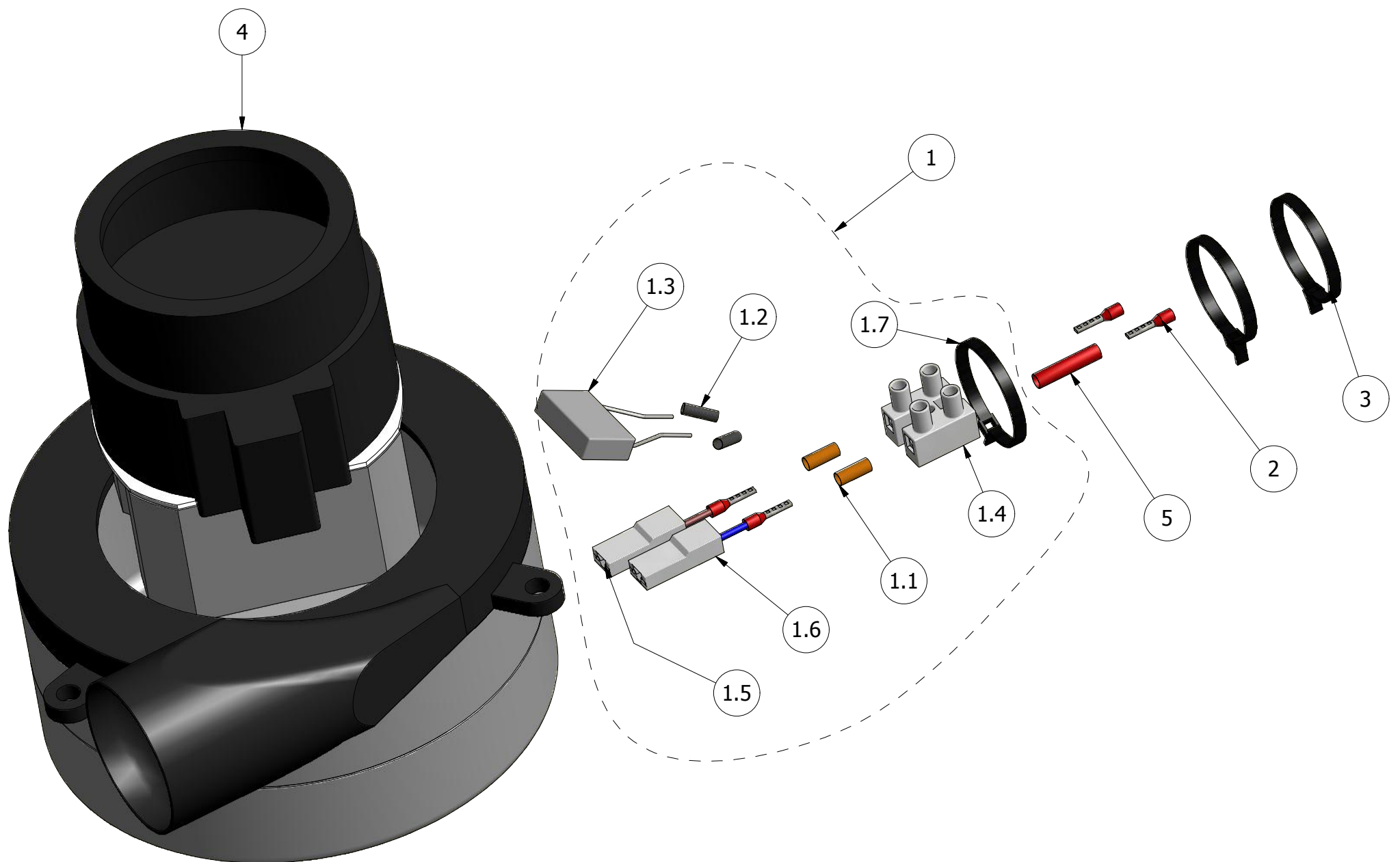
LISTE DES PIECES / PARTS LIST

N°	Qt.	Réf. Interne	Réf. Commercial	Désignation	Description
1	1	55-150-03407500	N/C	N/C	N/C
2	1	61-100-00003602	N/C	ETI.ADH. "SPRAY"	
3	1	55-150-00904900	49-140-00904900	CAPOT ETANCHE POUR INTER. ROND (X10)	WATERPROOF ROUND HOOD FOR SWITCH X10
4	1	55-150-00903400	49-140-00903400	COLLERETTE CL 60 NOIRE PA 6/6 (X6)	COLLAR CL 60 BLACK PA 6/6 (X6)



LISTE DES PIECES / PARTS LIST

N°	Qt.	Réf. Interne	Réf. Commercial	Désignation	Description
1	1	45-145-00998300	49-140-00998300	DOMINO + CONDO ASSEMBLE ES95-ES145 *	DOMINO + MOTOR CABLES + FILTER
1.1	2	45-145-00096600	N/C	GAINES VERNISSE ROUGE Ø 4 L. 420mm *	N/C
1.2	2	45-145-00794200	N/C	GAINES THERMO Ø 3.2mm L. 40mm *	N/C
1.3	1	55-120-00913500	49-140-00913500	CONDENSATEUR 0,22µF 275V	CAPACITOR 0.22µF 275V
1.4	1	55-140-02706900	49-140-02706900	DOMINO 2 PLOTS 4mm ²	DOMINO 2 SLOTS 4mm ² (X2)
1.5	1	45-145-01002700	N/C	FIL MARRON 1 ² L. 430mm (1X 6.35mm) *	N/C
1.6	1	45-145-01002800	N/C	FIL BLEU 1 ² L. 430mm (1X 6.35mm) *	N/C
1.7	1	55-180-04008500	49-140-04008500	COLLIER COLRING 2,5x98 NOIR	BLACK COLRING COLLAR 2.5x98mm (X10)
2	2	55-140-00914700	49-140-00914700	EMBOUT DE CABLAGE ROUGE 1mm ²	
3	2	55-180-04008500	49-140-04008500	COLLIER COLRING 2,5x98 NOIR	BLACK COLRING COLLAR 2.5x98mm (X10)
4	1	65-100-00903100	49-190-00903100	MOTEUR BP TANG 1000W 230V 2ETA	VACUUM MOTOR 230V TANG. 2 LEVELS BP 1000W Ø144
5	1	45-145-00096500	N/C	GAINES VERNISSE ROUGE Ø 4 L. 300mm *	N/C



LISTE DES PIECES / PARTS LIST

N°	Qt.	Réf. Interne	Réf. Commercial	Désignation	Description
1	1	45-115-03494200	49-145-03414200	LOT DE 3 COLLIERS VELCRO 34142 *	VELCRO STRAP (X10)
2	1	45-155-00990800	49-175-00990800	FLEXIBLE ASPI. Ø32 L. 2.20M COMPLET *	VACUUM HOSE ASSEMBLY Ø32 L. 2.20M COMPLETE
2.1	1	60-100-01606500	49-175-01606500	EMBOUT FLEXIBLE Ø32 TUBE Ø32	HOSE CONNECTOR Ø32 TUBE Ø32
2.2	1	45-155-00907800	N/C	FLEXIBLE ASPI. Ø32 L. 2.20M + KIT Ø32 *	N/C
2.2.1	1	45-155-00992600	49-175-00992600	KIT DE REPARATION FLEXIBLE Ø 32 K *	REPAIR KIT FOR HOSE Ø32
2.2.1.1	1	60-100-00908700	N/C	KIT REPARATION Ø32 KERSTAR	N/C
2.2.1.2	1	60-100-00908600	N/C	ECROU A VISSER POUR KIT KERST.	N/C
2.2.2	1	60-110-00907898	49-175-00907898	FLEXIBLE ASPI. Ø32 L. 2.20M	VACUUM HOSE Ø32 L. 2.20M
3	1	45-155-00990500	49-175-00990500	TUYAU DE PULVERISATION L. 2.20M COMPLET *	SPRAYING HOSE L. 2.20M COMPLETE
3.1	1	69-100-01605900	49-215-01605900	EMBOUT DN 5 US - CANN. 6 - NIC.	BRASS CONNECTOR
3.2	2	75-100-01606100	49-275-01606100	COLLIER AVEC BAGUE 13.3 RER	STAINLESS STEEL VALVE HOLDER 12.8 RER (X6)
3.3	1	45-230-01258200	49-260-00012100	TUYAU PVC ARME 6.3X11 L. 2.200M *	REINFORCED BLACK PVC HOSE 6.3x11ROLL 100meters
3.4	1	69-100-01606400	49-215-01606400	COUPLEUR DN 5 US - CANN. 6 - NIC.	HOSE COUPLING

