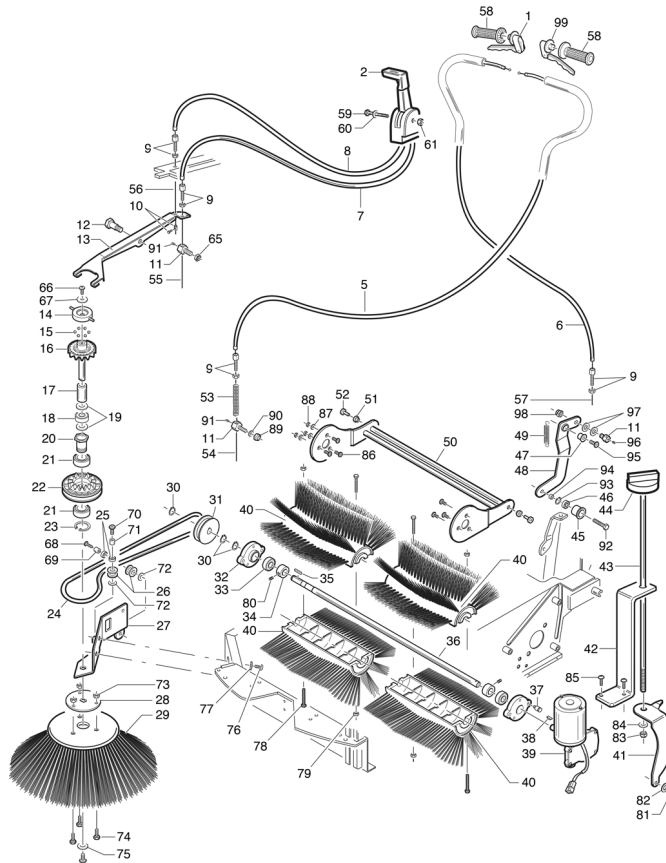




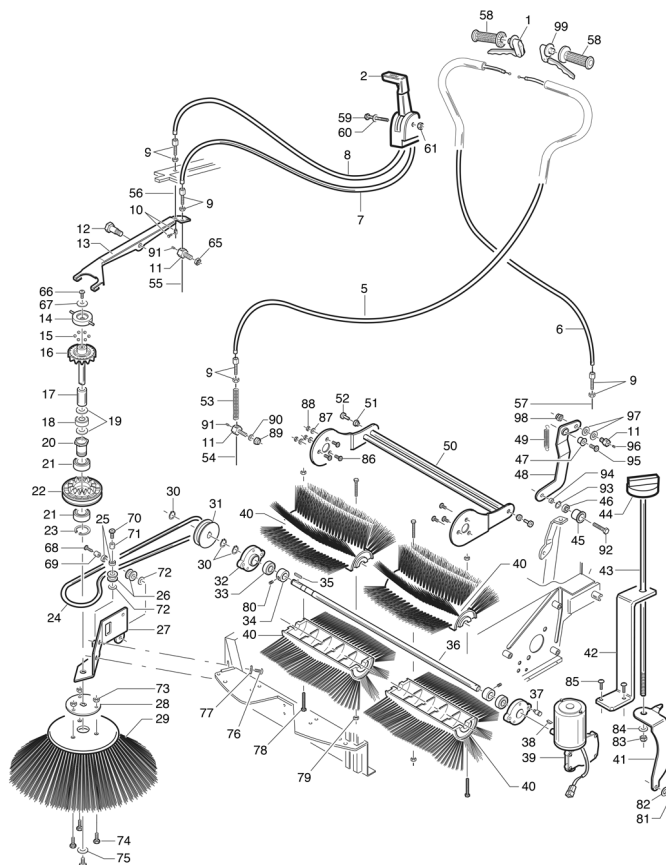
**IPC**

**Spare Parts List**

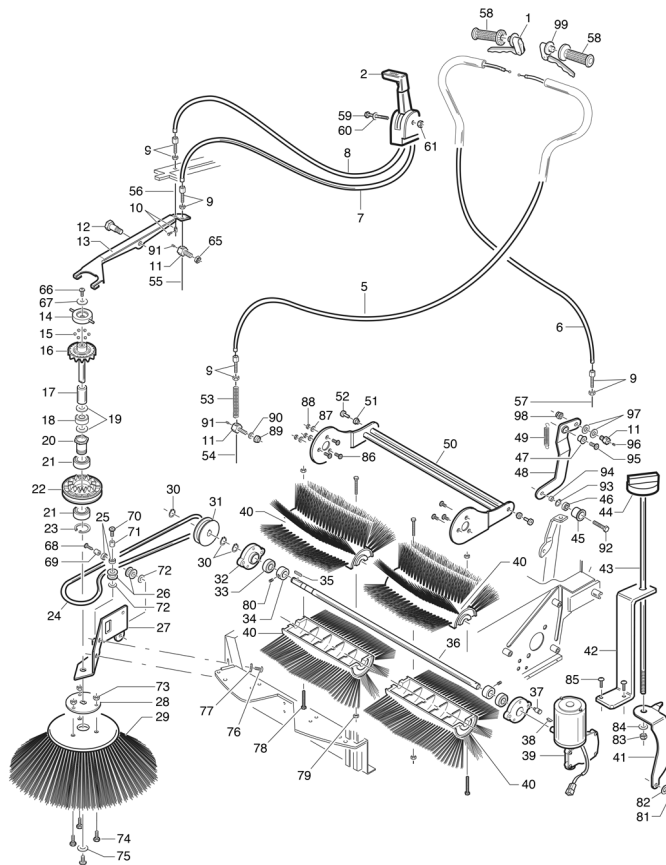
Ref: MSUT00663  
Model: BALAYEUSE 512 ET



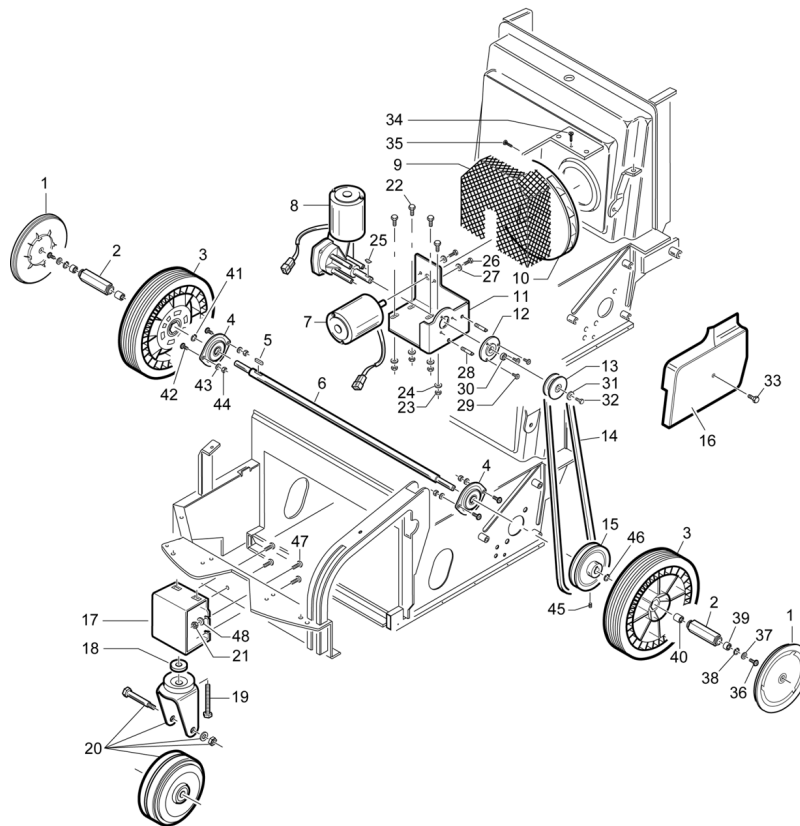
| Ref. K | Part N.   | Customer Part N. | Description                        | Quantity | Validity   |            | Price |
|--------|-----------|------------------|------------------------------------|----------|------------|------------|-------|
|        |           |                  |                                    |          | From       | To         |       |
| 0001   | PMTR00089 |                  | POIGNEE TRAZ.K E TK NUOVO MAN.COM  | 1,00     |            |            | --    |
| 0002   | MPVR00017 | 1125005A         | LEVIER COMANDO SPAZZ.ASSEMBLATA    | 1,00     |            |            | --    |
| 0005   | CMCV00345 |                  | GAINÉ FLAP CABLE 512-712           | 1,00     |            |            | --    |
| 0006   | CMCV00347 |                  | GAINÉ 512-712 UT                   | 1,00     |            | 24/01/2010 | --    |
| 0006   | CMCV00440 |                  | GAINÉ TRACTION CABLE 512-712       | 1,00     | 25/01/2010 |            | --    |
| 0007   | CMCV00351 |                  | GAINÉ 512-712 UT                   | 1,00     |            |            | --    |
| 0008   | CMCV00350 |                  | GAINÉ 512-712 UT                   | 1,00     |            |            | --    |
| 0009   | CMCV75723 | 1105229          | REGLEUR D.7                        | 4,00     |            |            | --    |
| 0010   | CMCV75737 | 1125004          | BORNE D.7 art.857                  | 1,00     |            |            | --    |
| 0011   | LAFN01068 | 2290004          | VIS CH.17 H.28 FISSAGGIO FILO      | 3,00     |            |            | --    |
| 0012   | LAFN75968 | 2230002          | PIVOT                              | 1,00     |            |            | --    |
| 0013   | LAFN75953 | 2190004          | LEVIER                             | 1,00     |            |            | --    |
| 0014   | LAFN75824 | 2100012          | BAGUE                              | 1,00     |            |            | --    |
| 0015   | SFVR00002 | 1260029          | BILLE 11/32"                       | 6,00     |            |            | --    |
| 0016   | LAFN75826 | 2100019N         | BAGUE                              | 1,00     |            |            | --    |
| 0017   | LAFN75912 | 2130011          | ENTRETOISE                         | 1,00     |            |            | --    |
| 0018   | CUVR37344 | 1390015          | ROULEMA ROUL. HK 1412              | 1,00     |            |            | --    |
| 0019   | VTRS75831 | 2105001          | RONDELLE IN FELTRO X BRACCIO LAT.  | 2,00     |            |            | --    |
| 0020   | LAFN75833 | 2110012N         | DOUILLE                            | 1,00     |            |            | --    |
| 0021   | CUVR86893 | 1390012          | ROULEMENT 6005 2RS                 | 2,00     |            |            | --    |
| 0022   | LAFN75827 | 2100020          | BAGUE                              | 1,00     |            |            | --    |
| 0023   | VTAE09655 | 1105416          | SEEGER ESTERNO DIN 471 D.25        | 1,00     |            |            | --    |
| 0024   | MTCG85335 | 2330102          | COURROIE D.8MM SIDE ARM-BLUE       | 1,00     |            |            | --    |
| 0025   | CUVR75814 | 1390013          | ROULEMENT HK1012                   | 2,00     |            |            | --    |
| 0026   | MTPL75996 | 2250079          | POULIE D.27x15                     | 1,00     |            |            | --    |
| 0027   | LAFN76005 | 2260024          | SUPPORT BROSSE LATERALE TK         | 1,00     |            |            | --    |
| 0028   | LAFN75986 | 2250034          | BRIDE                              | 1,00     |            |            | --    |
| 0029   | PMVR00248 | 2310127          | BROSSE LATERAL TK COMPLETA PPL 70  | 1,00     |            |            | --    |
| 0030   | VTAE17003 | 1105405          | BAGUE D'ARRET ESTERNO DIN 471 D.15 | 3,00     |            |            | --    |
| 0031   | MTPL75980 | 2250019          | POULIE TKE                         | 1,00     |            |            | --    |
| 0032   | PMTR00026 | 2310112          | SUPPORT D.90 DX/SX(2 INS.)+CRUS    | 2,00     |            |            | --    |
| 0033   | CUVR00005 | 1390009          | ROULEMENT 6202 2RS                 | 2,00     |            |            | --    |
| 0034   | LAFN26588 | 2130003          | ENTRETOISE LOLY 50                 | 2,00     |            |            | --    |
| 0035   | VTVR26559 | 1105461          | CLE UNI 6604 5X5X15                | 1,00     |            |            | --    |
| 0036   | ALTR75822 | 2100009          | ARBRE BROSSE TK500 E               | 1,00     |            |            | --    |
| 0037   | LAFN75971 | 2230029          | PIVOT                              | 1,00     |            |            | --    |
| 0038   | VTVR75730 | 1105463          | CLE UNI 6606 3X3,7                 | 1,00     |            |            | --    |
| 0039   | RDGR75782 | 1340008          | MOTOREDUCTEUR D.77 TK 500          | 1,00     |            |            | --    |
| 0040   | SPPV00048 | 2350036          | BROSSE CENTRALE                    | 2,00     |            |            | --    |
| 0041   | LAFN00342 | 2190005          | BRIDE REGOL.SPAZ.CENTR.TKE ZINC    | 1,00     |            |            | --    |
| 0042   | LAFN07265 |                  | BRIDE 512-712                      | 1,00     |            |            | --    |
| 0043   | LAFN07266 |                  | TIGE 512-712                       | 1,00     |            |            | --    |
| 0044   | MPVR10084 | RP10084          | POIGNEE INT. O.K.A.                | 1,00     |            |            | --    |
| 0045   | MTPL37338 | 2250001          | POULIE L.50TE                      | 1,00     |            |            | --    |



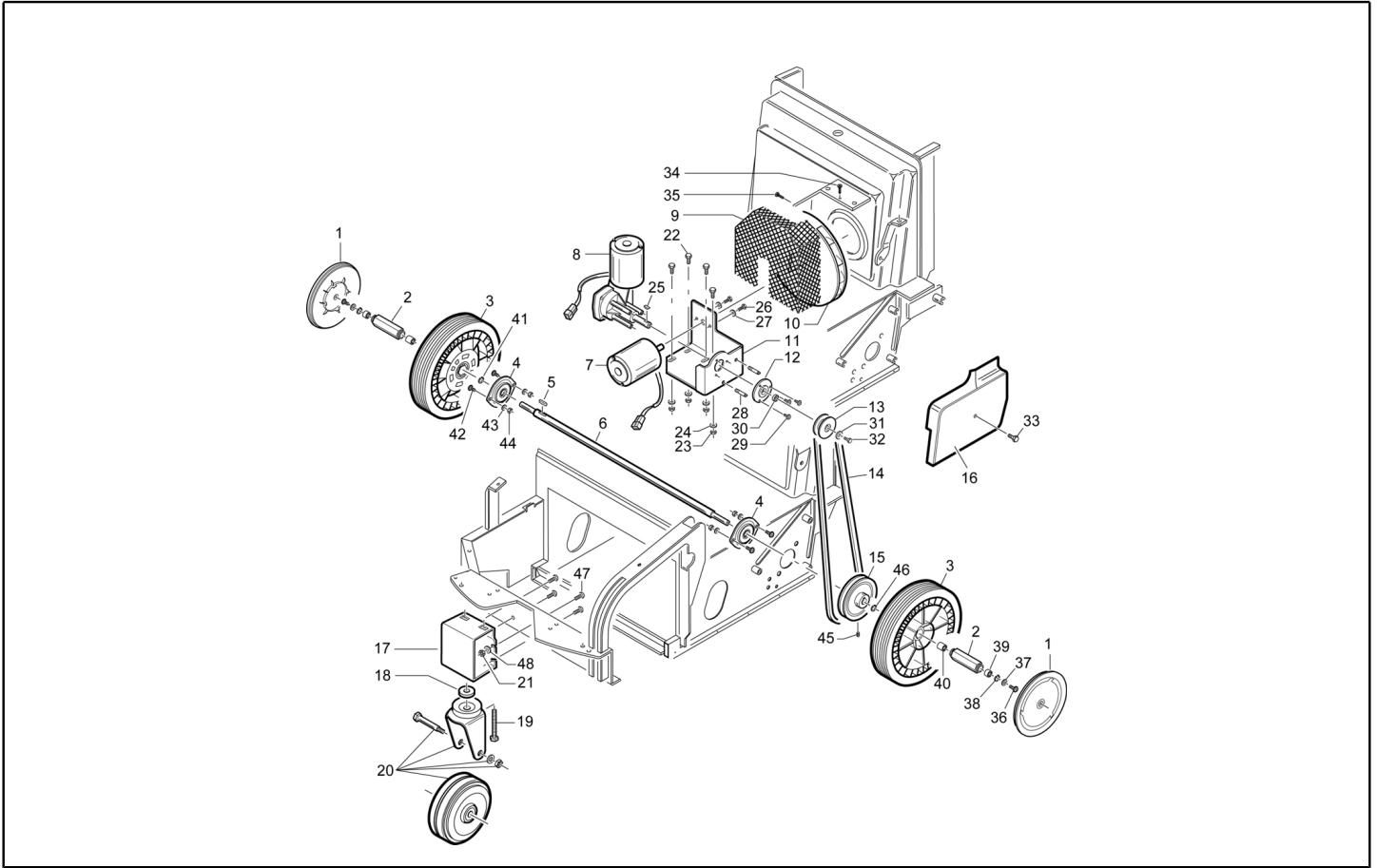
| Ref. K | Part N.   | Customer Part N. | Description                       | Quantity | Validity   |            | Price |
|--------|-----------|------------------|-----------------------------------|----------|------------|------------|-------|
|        |           |                  |                                   |          | From       | To         |       |
| 0046   | CUVR71988 | 1390005          | ROULEMENT 608 2RS                 | 1,00     |            |            | --    |
| 0047   | MPVR75836 | 2110025          | DOUILLE NYLON TK                  | 1,00     |            |            | --    |
| 0048   | LAFN87609 | 2190011E         | BRIDE TENDICINGHIA TKE ZINCATA    | 1,00     |            |            | --    |
| 0049   | MLML75960 | 2205005          | RESSORT D. 8 X1 X32               | 1,00     |            | 10/11/2016 | --    |
| 0049   | MLML00203 | SL13098          | RESSORT                           | 1,00     | 11/11/2016 |            | --    |
| 0050   | LAFN00035 | 2110017          | CULBUTEUR TK500 K501 ZINCATO      | 1,00     |            |            | --    |
| 0051   | LAFN75834 | 2110016          | DOUILLE                           | 2,00     |            |            | --    |
| 0052   | LAFN76019 | 2290007          | PIVOT D.15 H.25 TK                | 2,00     |            |            | --    |
| 0053   | MLML00033 | 2205400          | RESSORT ALZAFLAP SILVER ZB        | 1,00     |            |            | --    |
| 0054   | CMCV00346 |                  | CABLE FLAP 512-712 WB             | 1,00     |            |            | --    |
| 0055   | CMCV00349 |                  | CABLE 512-712 UT                  | 1,00     |            |            | --    |
| 0057   | CMCV00348 |                  | CABLE 512-712 UT                  | 1,00     |            | 24/01/2010 | --    |
| 0057   | CMCV00441 |                  | CABLE TRACTION LEVER 512-712 WB   | 1,00     | 25/01/2010 |            | --    |
| 0058   | MPVR00036 | 1200040A         | POIGNEE GOMMA NERA D.24/24 FORATA | 2,00     |            |            | --    |
| 0059   | LAFN75738 | 1125005          | LEVIER CONTROLE                   | 1,00     |            |            | --    |
| 0061   | LAFN75738 | 1125005          | LEVIER CONTROLE                   | 1,00     |            |            | --    |
| 0065   | VTDD13261 | 1105220          | ECROU UNI 5589 M8 BASSO ZB        | 1,00     |            |            | --    |
| 0066   | VTVT75724 | 1105231          | VIS TBCE ISO 7380 8X22 ZB         | 1,00     |            |            | --    |
| 0067   | VTRS00513 | 1105327          | RONDELLE UNI 6593 8X32X2,5 ZB     | 1,00     |            |            | --    |
| 0068   | VTVT75727 | 1105238          | VIS TBCE ISO 7380 8X25 ZB         | 1,00     |            |            | --    |
| 0069   | LAFN75840 | 2110042          | DOUILLE D.10x15.6                 | 1,00     |            |            | --    |
| 0070   | VTVT75727 | 1105238          | VIS TBCE ISO 7380 8X25 ZB         | 1,00     |            |            | --    |
| 0071   | LAFN75840 | 2110042          | DOUILLE D.10x15.6                 | 1,00     |            |            | --    |
| 0072   | VTRS00504 | 05242            | RONDELLE D. 8 TE ZC. UNI 6592     | 1,00     |            |            | --    |
| 0073   | VTDD13261 | 1105220          | ECROU UNI 5589 M8 BASSO ZB        | 3,00     |            |            | --    |
| 0074   | VTVT00527 |                  | VIS TE FR 6X10 ZB ZIG.            | 3,00     |            |            | --    |
| 0075   | VTRS63242 | 1105325          | RONDELLE UNI 6593 6X24X2 ZB       | 1,00     |            |            | --    |
| 0076   | VTVT45395 | 1105230          | VIS TBCE ISO 7380 8X10 ZB         | 2,00     |            |            | --    |
| 0077   | VTRS00512 | RS01113          | RONDELLE D. 8 X24 ZC.             | 2,00     |            |            | --    |
| 0078   | VTVT22102 | 1105551          | VIS TCCE UNI 5931 5X70 ZB         | 4,00     |            |            | --    |
| 0079   | VTDD01678 | 05098            | ECROU M 5 UNI 5588                | 4,00     |            |            | --    |
| 0080   | VTVT75731 | 1105482          | VIS SANS TETE UNI 5923 6X5        | 2,00     |            |            | --    |
| 0081   | VTAE14016 | 1105420          | SEEGER ESTERNO DIN 471 D.12       | 1,00     |            |            | --    |
| 0082   | VTRS00504 | 05242            | RONDELLE D. 8 TE ZC. UNI 6592     | 1,00     |            |            | --    |
| 0083   | VTDD00124 | SL05001          | ECROU M 8 BASSO                   | 1,00     |            |            | --    |
| 0084   | VTRS00504 | 05242            | RONDELLE D. 8 TE ZC. UNI 6592     | 1,00     |            |            | --    |
| 0086   | VTVT00061 | 1105503          | VIS TSCE UNI 5933 6X20 ZB         | 6,00     |            |            | --    |
| 0087   | VTRS00503 | 05118            | RONDELLE D. 6 TE UNI 6798         | 3,00     |            |            | --    |
| 0088   | VTDD00491 |                  | ECROU M 6 TE F                    | 3,00     |            |            | --    |
| 0089   | VTDD00124 | SL05001          | ECROU M 8 BASSO                   | 1,00     |            |            | --    |
| 0090   | VTRS00504 | 05242            | RONDELLE D. 8 TE ZC. UNI 6592     | 1,00     |            |            | --    |
| 0091   | VTVT87456 | 1105485          | VIS SANS TETE UNI 5923 5X6        | 1,00     |            |            | --    |
| 0091   | VTVT87456 | 1105485          | VIS SANS TETE UNI 5923 5X6        | 1,00     |            |            | --    |
| 0092   | VTVT76018 | 2290001          | VIS BLOCCAG.RULLO TENDICING.      | 1,00     |            |            | --    |



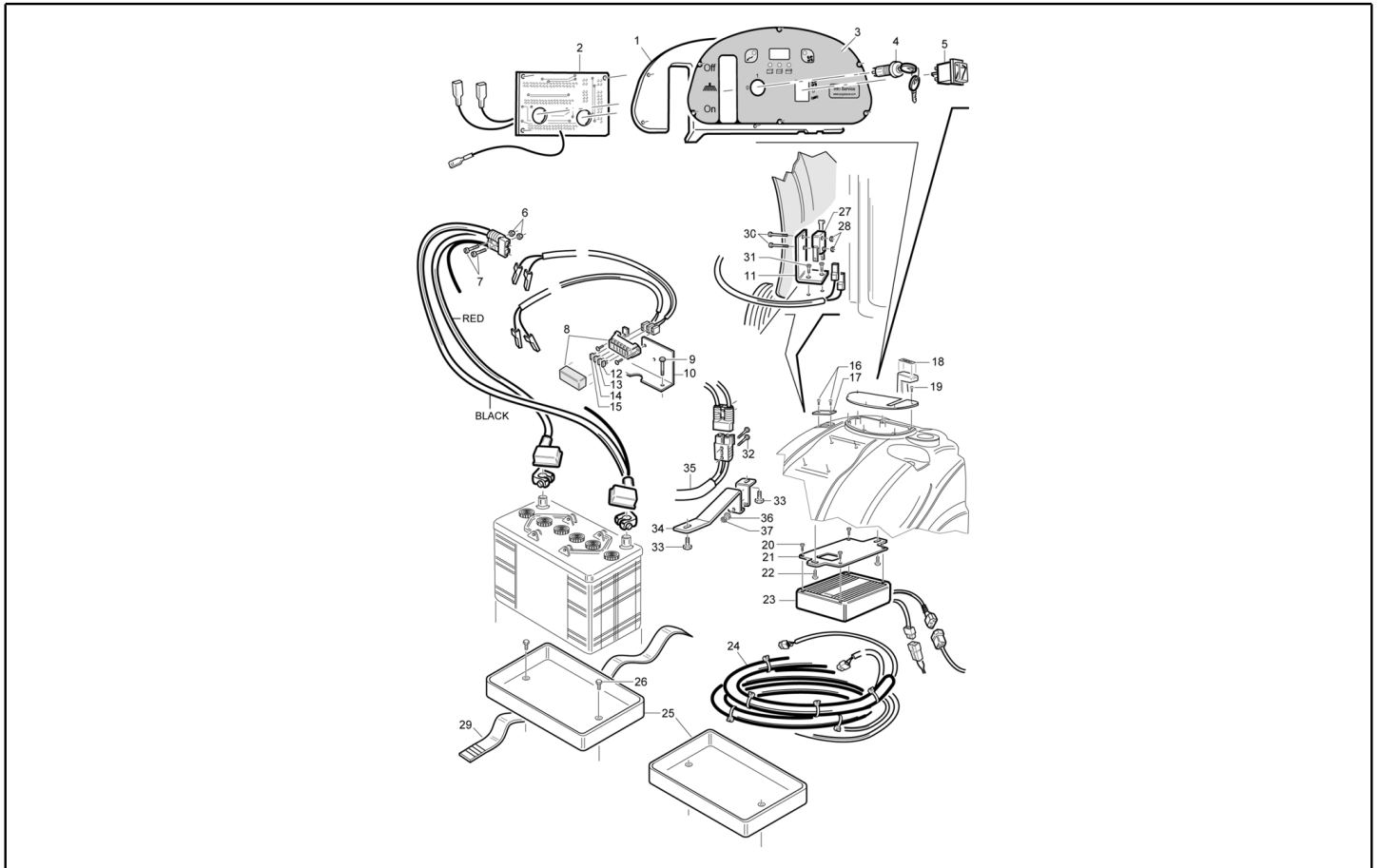
| Ref. K | Part N.   | Customer Part N. | Description                       | Quantity | Validity |    | Price |
|--------|-----------|------------------|-----------------------------------|----------|----------|----|-------|
|        |           |                  |                                   |          | From     | To |       |
| 0093   | VTAE87082 | 1105701          | SEEGER INTERNO DIN 472 D.22       | 1,00     |          |    | --    |
| 0094   | LAFN75909 | 2130001          | ENTRETOISE D.12 H.3.5             | 1,00     |          |    | --    |
| 0095   | VTVT75727 | 1105238          | VIS TBCE ISO 7380 8X25 ZB         | 1,00     |          |    | --    |
| 0096   | VTVT87456 | 1105485          | VIS SANS TETE UNI 5923 5X6        | 1,00     |          |    | --    |
| 0097   | VTRS00504 | 05242            | RONDELLE D. 8 TE ZC. UNI 6592     | 2,00     |          |    | --    |
| 0098   | VTDD00124 | SL05001          | ECROU M 8 BASSO                   | 1,00     |          |    | --    |
| 0099   | PMTR00088 |                  | POIGNEE TRAZ.K E TK NUOVO MAN.COM | 1,00     |          |    | --    |



| Ref. K | Part N.   | Customer Part N. | Description                             | Quantity | Validity   |            | Price |
|--------|-----------|------------------|---|----------|------------|------------|-------|
|        |           |                  |   |          | From       | To         |       |
| 0001   | MPVR00541 | 2120257          | COUVRE ROUE D.200 NERO                  | 2,00     |            |            | --    |
| 0002   | LAFN75838 | 2110033          | DOUILLE                                 | 2,00     |            |            | --    |
| 0003   | RTRT00030 | 2250072          | ROUE GOMMA D.250X55 NE CERC.GR          | 2,00     |            |            | --    |
| 0004   | CUVR75815 | 1390017          | ROULEM.A BILLES UBPFL203                | 2,00     |            |            | --    |
| 0005   | VTVR26559 | 1105461          | CLE UNI 6604 5X5X15                     | 1,00     |            |            | --    |
| 0006   | ALTR75820 | 2100006          | ARBRE TRACTION TK500 H.697              | 1,00     |            |            | --    |
| 0007   | MOCC75780 | 1340002          | MOTEUR D.77 12V                         | 1,00     |            |            | --    |
| 0008   | RDGR75782 | 1340008          | MOTOREDUCTEUR D.77 TK 500               | 1,00     |            |            | --    |
| 0009   | LAFN00876 | 2260401          | PROTECTION                              | 1,00     |            | 30/06/2008 | --    |
| 0009   | LAFN00885 | 2260415          | BRIDE                                   | 1,00     | 01/07/2008 | 30/07/2008 | --    |
| 0009   | LAFN00876 | 2260401          | PROTECTION                              | 1,00     |            | 31/07/2008 | --    |
| 0010   | VEVR26677 | 1290002          | HELICE ALLUMINIO D.200                  | 1,00     |            |            | --    |
| 0011   | LAFN00652 | 2260026          | SUPPORT MOTORI TK ZINCATO               | 1,00     |            |            | --    |
| 0012   | LAFN48900 | 2260032          | SUPPORT 6000 TK                         | 1,00     |            |            | --    |
| 0013   | MTPL75985 | 2250030          | POULIE D.55                             | 1,00     |            |            | --    |
| 0014   | MTCG13166 | 1330006          | COURROIE Z 30                           | 1,00     |            |            | --    |
| 0015   | MTPL75984 | 2250029          | POULIE D.140                            | 1,00     |            |            | --    |
| 0016   | MPVR00611 | 2120412          | TAPIS DE TRANS. ARIA VERSIONE ELETTRICA | 1,00     |            | 30/06/2008 | --    |
| 0016   | MPVR05415 |                  | TAPIS DE TRANS. -                       | 1,00     | 01/07/2008 |            | --    |
| 0017   | LAFN07275 |                  | TOLE CASSETTO                           | 1,00     |            |            | --    |
| 0018   | LAFN75910 | 2130005          | ENTRETOISE                              | 1,00     |            |            | --    |
| 0019   | VTVT00028 | 1105095          | VIS TE UNI 5739 12X45 ZB                | 1,00     |            |            | --    |
| 0020   | RTRT24661 | 1250067          | ROUE D.100 SUPP.GIREVOLE NERA           | 1,00     |            |            | --    |
| 0021   | VTDD00491 |                  | ECROU M 6 TEF                           | 4,00     |            |            | --    |
| 0022   | VTVT62920 | 1105162          | VIS TE FR 6X16 ZB ZIGRINATE             | 4,00     |            |            | --    |
| 0023   | VTDD00491 |                  | ECROU M 6 TEF                           | 4,00     |            |            | --    |
| 0024   | VTRS04026 |                  | RONDELLE D. 6X18X2.38                   | 4,00     |            |            | --    |
| 0025   | VTVR75730 | 1105463          | CLE UNI 6606 3X3,7                      | 1,00     |            |            | --    |
| 0026   | VTVT14062 | 1105022          | VIS TE UNI 5739 5X16 ZB A.8.8           | 2,00     |            |            | --    |
| 0027   | VTRS00291 | SL06084          | RONDELLE D. 5 X20 ZC UNI 6593           | 2,00     |            |            | --    |
| 0028   | LAFN75969 | 2230005          | PIVOT D.9 H.33                          | 1,00     |            |            | --    |
| 0029   | VTVT85745 | 1105233          | VIS TBCE ISO 7380 6X25 ZB               | 3,00     |            |            | --    |
| 0030   | CUVR86373 | 1390007          | ROULEMENT 6000 2RS                      | 1,00     |            |            | --    |
| 0031   | VTRS00291 | SL06084          | RONDELLE D. 5 X20 ZC UNI 6593           | 1,00     |            |            | --    |
| 0032   | VTVT00003 | 1105001          | VIS TE M 4X 12 ZC. UNI 5739             | 1,00     |            |            | --    |
| 0033   | VTVT00527 |                  | VIS TE FR 6X10 ZB ZIG.                  | 1,00     |            |            | --    |
| 0034   | VTVT00099 | 1105793          | VIS AUTOF.TC UNI 6954 3,9X13            | 1,00     |            |            | --    |
| 0035   | VTVT00099 | 1105793          | VIS AUTOF.TC UNI 6954 3,9X13            | 1,00     |            |            | --    |
| 0036   | VTVT75725 | 1105234          | VIS TBCE ISO 7380 6X10 ZB               | 2,00     |            |            | --    |
| 0037   | VTRS63242 | 1105325          | RONDELLE UNI 6593 6X24X2 ZB             | 2,00     |            |            | --    |
| 0038   | VTAE28493 | 1105418          | SEEGER ESTERNO DIN 471 D.28             | 2,00     |            |            | --    |
| 0039   | CUVR37341 | 1390016          | ROULEM.A ROUL. HFL 1426                 | 2,00     |            |            | --    |
| 0040   | CUVR37344 | 1390015          | ROULEM.A ROUL. HK 1412                  | 2,00     |            |            | --    |
| 0041   | VTAE28493 | 1105418          | SEEGER ESTERNO DIN 471 D.28             | 1,00     |            |            | --    |

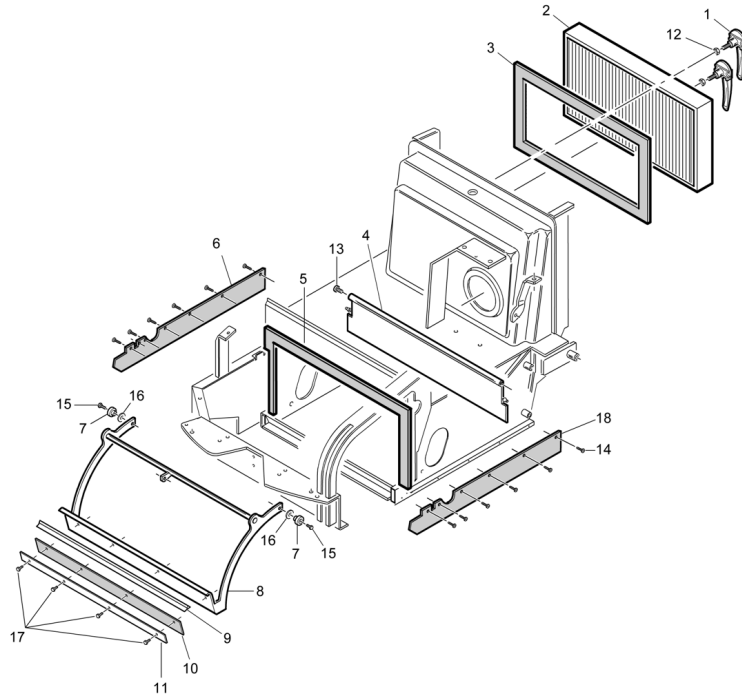


| Ref. K | Part N.   | Customer Part N. | Description                           | Quantity | Validity |    | Price |
|--------|-----------|------------------|---------------------------------------|----------|----------|----|-------|
|        |           |                  |                                       |          | From     | To |       |
| 0042   | VTVT75721 | 1105222          | VIS TTDE UNI 5732 6X16 ZB             | 4,00     |          |    | --    |
| 0043   | VTRS00503 | 05118            | RONDELLE D. 6 TE UNI 6798             | 4,00     |          |    | --    |
| 0044   | VTDD00491 |                  | ECROU M 6 TEF                         | 4,00     |          |    | --    |
| 0045   | VTVT86570 | 1105481          | VIS SANS TETE UNI 5927 6X10 CON PUNTA | 1,00     |          |    | --    |
| 0046   | VTAE28493 | 1105418          | SEEGER ESTERNO DIN 471 D.28           | 1,00     |          |    | --    |
| 0047   | VTVT75726 | 1105236          | VIS TBCE ISO 7380 6X16 ZB             | 4,00     |          |    | --    |
| 0048   | VTRS04026 |                  | RONDELLE D. 6X18X2.38                 | 4,00     |          |    | --    |



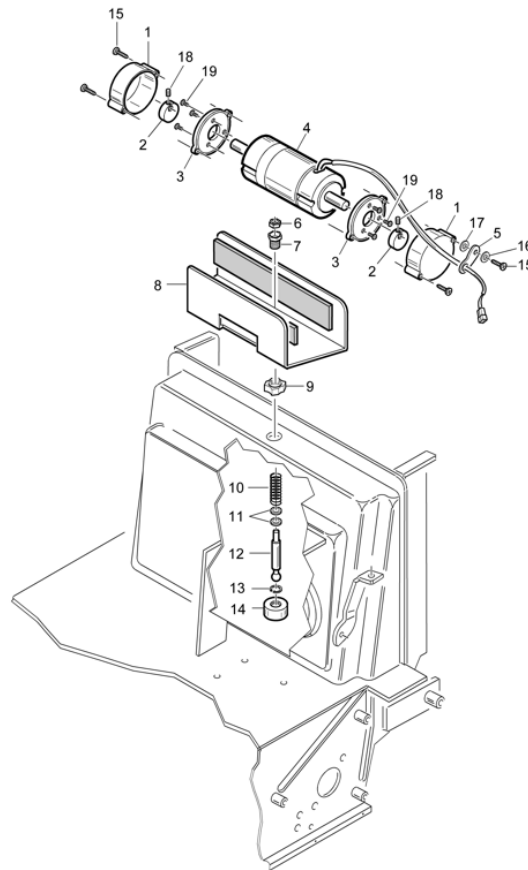
| Ref. K | Part N.   | Customer Part N. | Description                          | Quantity | Validity   |    | Price |
|--------|-----------|------------------|--------------------------------------|----------|------------|----|-------|
|        |           |                  |                                      |          | From       | To |       |
| 0001   | LAFN07432 |                  | FICHE 512-712 UT                     | 1,00     |            |    | --    |
| 0002   | MECE75944 | 2180009          | PLATINE 12V                          | 1,00     |            |    | --    |
| 0003   | ETET01577 |                  | ETICHETTE 512-712                    | 1,00     |            |    | --    |
| 0004   | MECI75805 | 13801001         | INTERRUPTEUR TK                      | 1,00     |            |    | --    |
| 0005   | MECI00034 | 23801016         | COMMUTATEUR SCUOTIFILTRO COMPLETO    | 1,00     |            |    | --    |
| 0006   | VTDD00001 | 1105120          | ECROU UNI 5588 M3 ZB                 | 2,00     |            |    | --    |
| 0007   | VTVT00021 | 1105071          | VIS TE UNI 5739 3X25 ZB              | 2,00     |            |    | --    |
| 0008   | MEVR00030 | 1380004          | PORTE-FUSIBLES 4 VIE COPERCHIO TRAS. | 1,00     |            |    | --    |
| 0009   | VTVT75726 | 1105236          | VIS TBCE ISO 7380 6X16 ZB            | 2,00     |            |    | --    |
| 0010   | LAFN06857 |                  | SUPPORT 512-712UT                    | 1,00     |            |    | --    |
| 0011   | LAFN06858 |                  | SUPPORT 512-712UT                    | 1,00     |            |    | --    |
| 0012   | MEVR01136 | SL23148          | FUSIBLE 30A                          | 1,00     |            |    | --    |
| 0013   | MEVR01136 | SL23148          | FUSIBLE 30A                          | 1,00     |            |    | --    |
| 0014   | MEVR01136 | SL23148          | FUSIBLE 30A                          | 1,00     |            |    | --    |
| 0014   | VTVT00892 | SL04421          | VIS                                  | 2,00     |            |    | --    |
| 0015   | MEVR01136 | SL23148          | FUSIBLE 30A                          | 1,00     |            |    | --    |
| 0017   | MPVR05254 |                  | BRIDE CARICABATTERIA                 | 1,00     |            |    | --    |
| 0018   | ETET00041 | 6911048          | ETICHETTE PUSH 4.3X1.3               | 1,00     |            |    | --    |
| 0019   | VTVT37012 | SL04289          | VIS M 4X 10 TCB-TC INX               | 6,00     |            |    | --    |
| 0020   | VTVT05706 | G2508560         | VIS TCB-TC 4X10                      | 4,00     |            |    | --    |
| 0021   | LAFN07267 |                  | BRIDE 512-712                        | 1,00     |            |    | --    |
| 0022   | VTVT05706 | G2508560         | VIS TCB-TC 4X10                      | 2,00     |            |    | --    |
| 0023   | BACA00121 |                  | CHARGEUR BATT. CBHD1 12V 10A         | 1,00     |            |    | --    |
| 0024   | MECB01044 |                  | CABLAGE 512                          | 1,00     |            |    | --    |
| 0025   | MPVR00610 | 2120411          | CONTENEUR BAT.NERO SILVER 510/710    | 1,00     |            |    | --    |
| 0026   | VTVT00474 |                  | VIS TSCE uni 5933 4x12 ZB            | 2,00     |            |    | --    |
| 0027   | MECI30642 | SL23021          | MICRO-INTERRUP. 11A 0.33HP           | 2,00     |            |    | --    |
| 0028   | VTDD09556 | 75154            | ECROU M3 TEFLON                      | 2,00     |            |    | --    |
| 0029   | MPVR02939 | SL14159          | COURROIE BATTERIA                    | 1,00     |            |    | --    |
| 0030   | VTVT00018 | 1105067          | VIS TE UNI 5739 3X30 ZB              | 2,00     |            |    | --    |
| 0031   | VTVT00005 | 1105023          | VIS TE FR 5X12 ZB                    | 2,00     |            |    | --    |
| 0032   | VTVT00727 | SL04189          | VIS TE M. 4-20                       | 2,00     | 25/11/2008 |    | --    |
| 0033   | VTVT00005 | 1105023          | VIS TE FR 5X12 ZB                    | 2,00     | 25/11/2008 |    | --    |
| 0034   | LAFN07187 |                  | BRIDE -                              | 1,00     | 25/11/2008 |    | --    |
| 0035   | MECB01071 |                  | CABLAGE -                            | 1,00     | 25/11/2008 |    | --    |
| 0036   | VTRS15913 | SL06107          | RONDELLE D. 4 GROVER A2 UNI1751      | 2,00     | 25/11/2008 |    | --    |
| 0037   | VTDD00147 | SL05044          | ECROU M 4 INX U.5588                 | 2,00     | 25/11/2008 |    | --    |

IP-CLEANING - TAV. 05-R  
SILVER 512 - 712 . . . . .  
(16.10.2007)

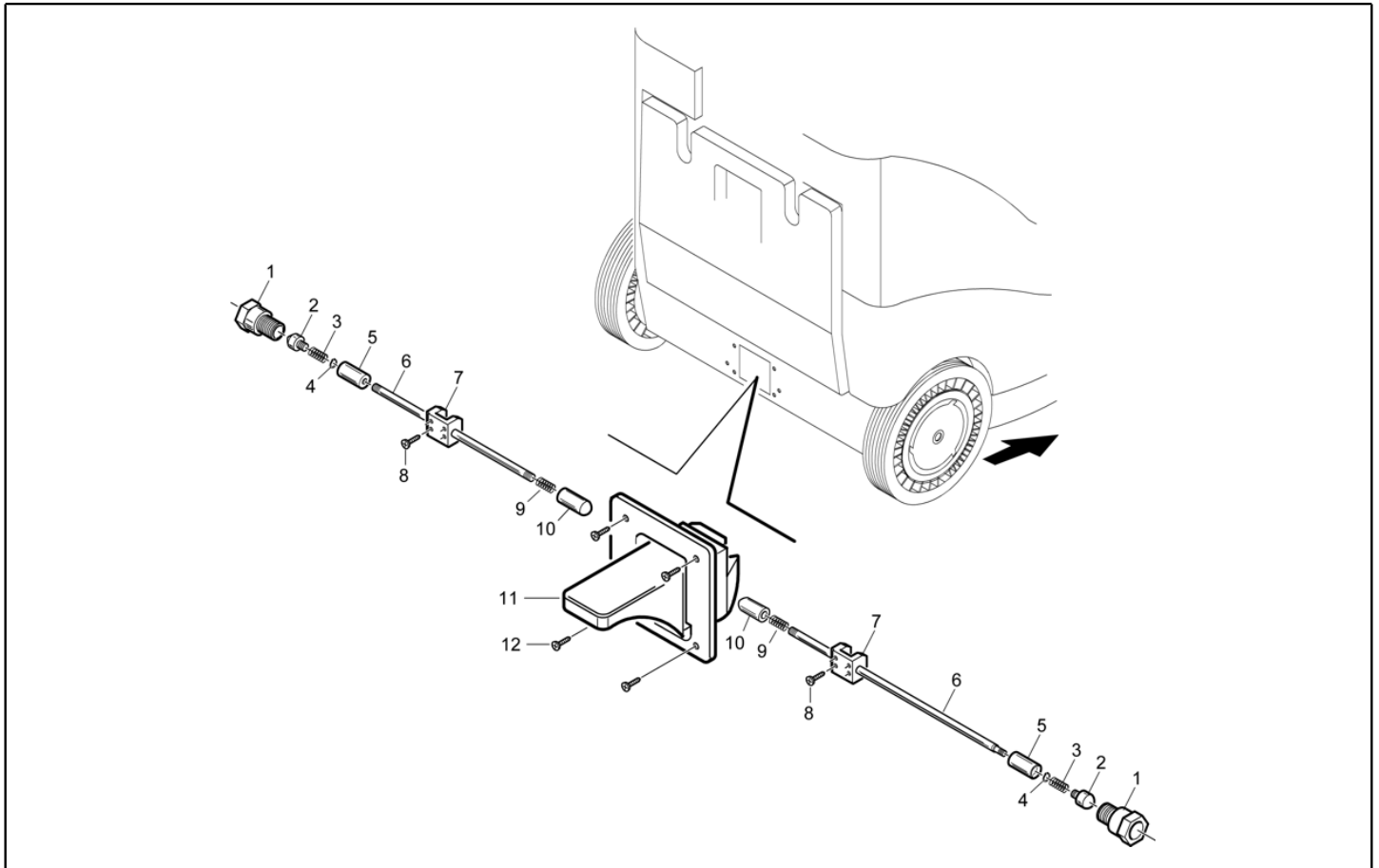


| Ref. K | Part N.   | Customer Part N. | Description                       | Quantity | Validity   |            | Price |
|--------|-----------|------------------|-----------------------------------|----------|------------|------------|-------|
|        |           |                  |                                   |          | From       | To         |       |
| 0001   | PMVR00383 | 2310426          | POIGNEE BLOCCAGGIO FILTRO SILVER  | 2,00     |            |            | --    |
| 0002   | FTDP85298 | 2360008          | FILTRE SW 540/541                 | 1,00     |            |            | --    |
| 0003   | KTRI75926 | 2160052          | KIT MOUSSE                        | 1,00     |            |            | --    |
| 0004   | MPVR05306 |                  | FLAP 512                          | 1,00     |            |            | --    |
| 0005   | KTRI86322 | 2160033          | KIT JOINT MOUSSE 30X15 TK2160033  | 1,00     |            | 31/07/2008 | --    |
| 0005   | KTRI01819 |                  | KIT 512                           | 1,00     | 01/08/2008 |            | --    |
| 0006   | MPVR05267 |                  | FLAP 512-712                      | 1,00     |            |            | --    |
| 0007   | LAFN00188 | 2110400          | DOUILLE OTTONE BRAC.ALZAFL.SILVER | 2,00     |            |            | --    |
| 0008   | LAFN07365 |                  | BALANCIER 512                     | 1,00     |            |            | --    |
| 0009   | MPVR00731 | 2160047          | CAOUTCHOUC ALZAFLAP SERIE 500     | 1,00     |            |            | --    |
| 0010   | MPVR87400 | 2160410          | CAOUTCHOUC ALZAFLAP 2160410       | 1,00     |            |            | --    |
| 0011   | LAFN00331 | 2150402          | BLOCCAGE GOMMA ALZAFLAP 500       | 1,00     |            |            | --    |
| 0012   | VTDD00483 | 05092            | ECROU M 8 ZIN UNI 5588            | 2,00     |            |            | --    |
| 0013   | VTVT47025 | 1105232          | VIS TBCE ISO 7380 10X16 ZB        | 2,00     |            |            | --    |
| 0014   | VTVT01295 |                  | VIS 3,5X9,5 TS80 UNI 6955 ZB      | 10,00    |            |            | --    |
| 0015   | VTVT75724 | 1105231          | VIS TBCE ISO 7380 8X22 ZB         | 2,00     |            |            | --    |
| 0016   | VTRS00512 | RS01113          | RONDELLE D. 8 X24 ZC.             | 2,00     |            |            | --    |
| 0017   | VTVT00040 | 1105356          | VIS AUTOF.TC UNI6954 3,5X10SP     | 4,00     |            |            | --    |
| 0018   | MPVR05268 |                  | FLAP 512-712                      | 1,00     |            |            | --    |

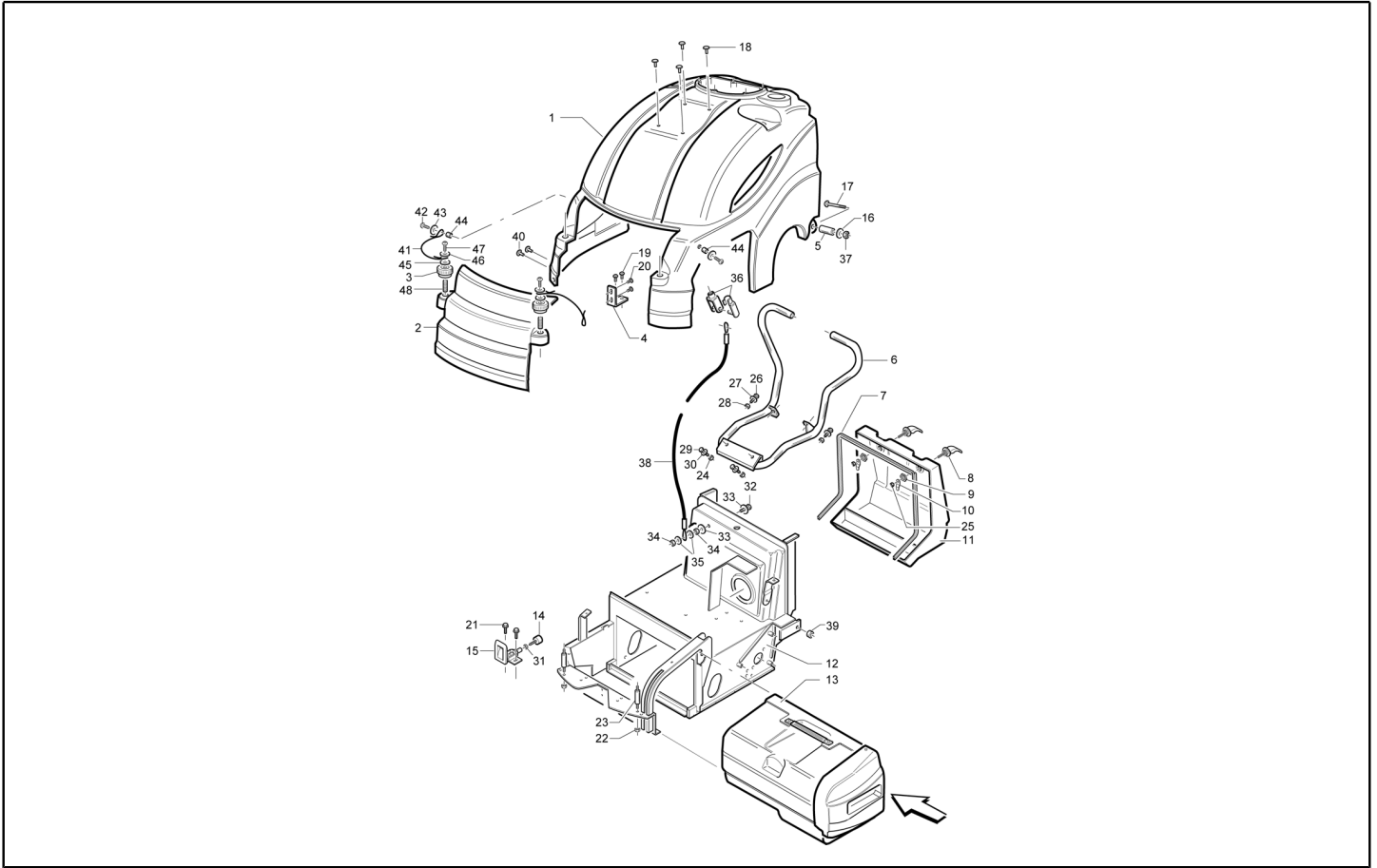




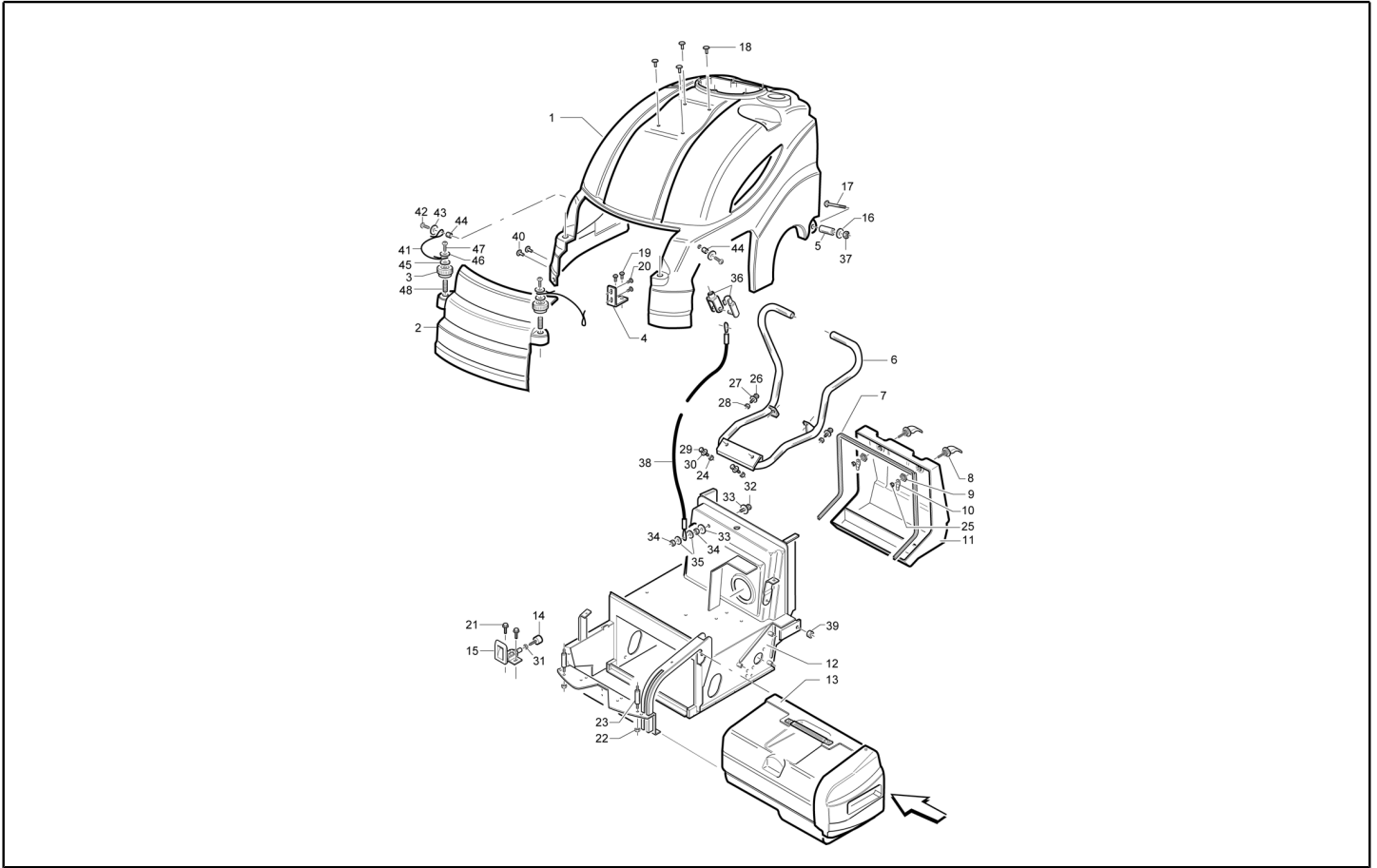
| Ref. K | Part N.   | Customer Part N. | Description                          | Quantity | Validity |    | Price |
|--------|-----------|------------------|--------------------------------------|----------|----------|----|-------|
|        |           |                  |                                      |          | From     | To |       |
| 0001   | LAFN47139 | 2120288          | COUVERCLE MOT. L.14 FILT.            | 2,00     |          |    | --    |
| 0002   | LAFN47140 | 2110045          | DOUILLE L.14                         | 2,00     |          |    | --    |
| 0003   | MFVR47141 | 2150031          | BRIDE MOTEUR L.14                    | 2,00     |          |    | --    |
| 0004   | MOCC85526 | 1340019          | MOTEUR 12V                           | 1,00     |          |    | --    |
| 0005   | MPVR00765 | 2160117          | CAOUTCHOUC FISSAGGIO FILO SCUOTIFIL. | 1,00     |          |    | --    |
| 0006   | VTDD00008 | 1105129          | ECROU M10 UNI 5589 ZB                | 1,00     |          |    | --    |
| 0007   | ABGO00012 | 2370003          | AMORTISSEUR PER SCUOTIFILTRO         | 1,00     |          |    | --    |
| 0008   | LAFN00676 | 2260063          | SUPPORT MOTORE X SCUOTIF.E VERN.     | 1,00     |          |    | --    |
| 0009   | LAFN36319 | SL05049          | FRETTE M25X1,5-10.3                  | 1,00     |          |    | --    |
| 0010   | MLML85610 | 2205017          | RESSORT TK2205017                    | 1,00     |          |    | --    |
| 0011   | GUGO19260 | 1160046          | O-RING D. 8 X 1 NBR 70SH             | 2,00     |          |    | --    |
| 0012   | LAFN00428 | 2230017          | PIVOT D.15 H.78 A SFERA SCUOT.       | 1,00     |          |    | --    |
| 0013   | VTAE00007 | 1105702          | SEEGER INTERNO DIN 472 D.16          | 1,00     |          |    | --    |
| 0014   | LAFN00417 | 2205007          | BARRE ARTICULEE TK500/700            | 1,00     |          |    | --    |
| 0015   | VTVT47138 | 1105365          | VIS AUTOF.TSP UNI 6955 3,9X32        | 4,00     |          |    | --    |
| 0016   | VTRS05904 | 1105807          | RONDELLE UNI 6592 4X16 ZB            | 1,00     |          |    | --    |
| 0017   | VTRS05904 | 1105807          | RONDELLE UNI 6592 4X16 ZB            | 1,00     |          |    | --    |
| 0018   | VTVT75731 | 1105482          | VIS SANS TETE UNI 5923 6X5           | 2,00     |          |    | --    |
| 0019   | VTVT76616 | 1105781          | VIS TSCE UNI 5933 4X12 ZB            | 6,00     |          |    | --    |



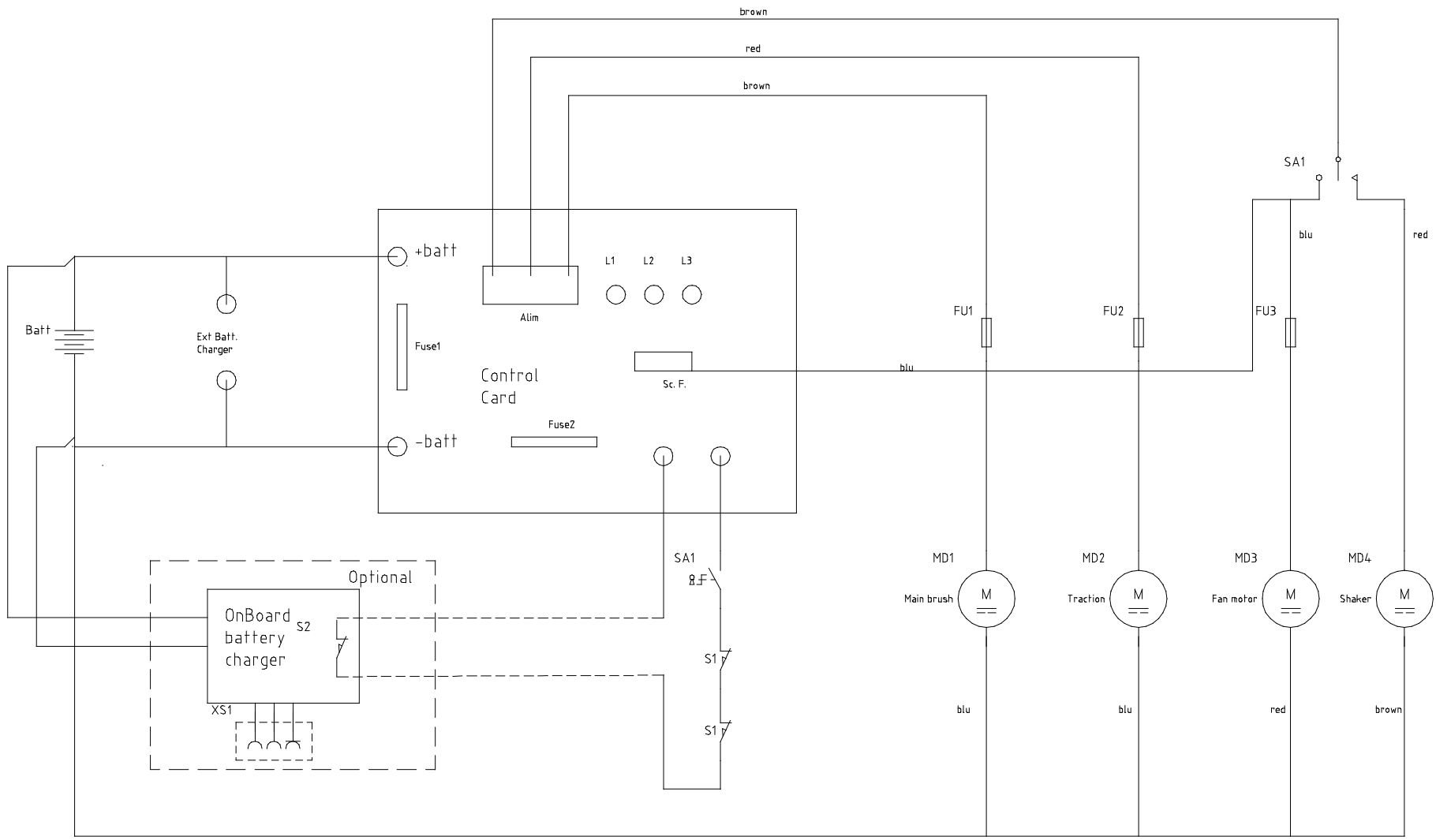
| Ref. K | Part N.   | Customer Part N. | Description                       | Quantity | Validity |    | Price |
|--------|-----------|------------------|-----------------------------------|----------|----------|----|-------|
|        |           |                  |                                   |          | From     | To |       |
| 0001   | LAFN00335 | 2165006          | FRETTE X PERNO GUIDA FRENO STAZ.  | 2,00     |          |    | --    |
| 0002   | LAFN00460 | 2230052          | PIVOT BLOCC.RUOTA FRENO STAZ.     | 2,00     |          |    | --    |
| 0003   | MLML00012 | 2205019          | RESSORT COMPRES.X FRE.STAZ.L.23zb | 2,00     |          |    | --    |
| 0004   | VTAE48552 | 1105408          | BAGUE D'ARRET ESTERNO DIN 471 D.6 | 2,00     |          |    | --    |
| 0005   | LAFN00071 | 2110059          | DOUILLE PORTAMOLLA FRENO DI STAZ. | 2,00     |          |    | --    |
| 0006   | LAFN00458 | 2230050          | PIVOT INNESTO FRENO DI STAZION.   | 2,00     |          |    | --    |
| 0007   | LAFN00072 | 2110060          | BLOCAGE GUIDA PERNO INN.FRENO     | 2,00     |          |    | --    |
| 0008   | VTVT00045 | 1105364          | VIS AUTOF.TC UNI 6954 4,8X16      | 6,00     |          |    | --    |
| 0009   | MLML00011 | 2205018          | RESSORT COMPRES.X FRE.STAZ.L.46zb | 2,00     |          |    | --    |
| 0010   | LAFN00461 | 2230053          | PIVOT SPINTA X FRENO STAZION.     | 2,00     |          |    | --    |
| 0011   | PMVR00160 | 2300423          | PEDALE FRENO                      | 1,00     |          |    | --    |
| 0012   | VTVT00045 | 1105364          | VIS AUTOF.TC UNI 6954 4,8X16      | 4,00     |          |    | --    |



| Ref. K | Part N.   | Customer Part N. | Description                          | Quantity | Validity |    | Price |
|--------|-----------|------------------|--------------------------------------|----------|----------|----|-------|
|        |           |                  |                                      |          | From     | To |       |
| 0001   | MPVR05891 |                  | CAPOT 512                            | 1,00     |          |    | --    |
| 0002   | MPVR05895 |                  | JOUE 512                             | 1,00     |          |    | --    |
| 0003   | MPVR05627 |                  | POIGNEE -                            | 2,00     |          |    | --    |
| 0004   | LAFN07287 |                  | BRIDE 512-712                        | 2,00     |          |    | --    |
| 0005   | LAFN04043 | SL07528          | ENTRETOISE D8.5-15                   | 2,00     |          |    | --    |
| 0006   | LAFN07263 |                  | POIGNEE 512                          | 1,00     |          |    | --    |
| 0007   | GUVR75932 | 2160090          | JOINT P. SW 500 TK216009             | 1,00     |          |    | --    |
| 0008   | PMVR00138 | 2300401A         | SERRURE TEK                          | 2,00     |          |    | --    |
| 0009   | LAFN00259 | 2130009          | ECROU CH.24 SERRATURA TEK            | 2,00     |          |    | --    |
| 0010   | LAFN00349 | 2190016          | LEVIER SERRATURA TEK ZINCATA         | 2,00     |          |    | --    |
| 0011   | MPVR00607 | 2120408          | TIROIR POSTERIORE SILVER 510 GRI     | 1,00     |          |    | --    |
| 0012   | LAFN07282 |                  | CHASSIS 512                          | 1,00     |          |    | --    |
| 0013   | PMVR01409 |                  | TIROIR ANTER.SILVER 512 COMPL.       | 1,00     |          |    | --    |
| 0014   | ABGO00048 |                  | AMORTISSEUR -                        | 1,00     |          |    | --    |
| 0015   | PMVR00141 | 2300404          | LEVIER CHIUSURA CASS.ANT.SILVER      | 1,00     |          |    | --    |
| 0016   | VTRS00512 | RS01113          | RONDELLE D. 8 X24 ZC.                | 2,00     |          |    | --    |
| 0017   | VTVT01142 |                  | VIS TTQS M8X89                       | 2,00     |          |    | --    |
| 0018   | VTVT01305 |                  | VIS M 8X 60 TTQST UNI 5731           | 2,00     |          |    | --    |
| 0019   | VTVT34115 | 75019            | VIS TE M 5X 10 UNI 5739              | 4,00     |          |    | --    |
| 0020   | VTVT34115 | 75019            | VIS TE M 5X 10 UNI 5739              | 4,00     |          |    | --    |
| 0021   | VTVT62920 | 1105162          | VIS TE FR 6X16 ZB ZIGRINATE          | 2,00     |          |    | --    |
| 0022   | VTDD00491 |                  | ECROU M 6 TEF                        | 2,00     |          |    | --    |
| 0023   | LAFN07271 |                  | PIVOT 512-712                        | 2,00     |          |    | --    |
| 0024   | VTDD00483 | 05092            | ECROU M 8 ZIN UNI 5588               | 4,00     |          |    | --    |
| 0025   | VTDD00057 |                  | ECROU UNI 5589 M8 BASSO ZB           | 2,00     |          |    | --    |
| 0026   | VTVT00248 | SL04067          | VIS TE M&x45 UNI5739 8.8 ZNT         | 4,00     |          |    | --    |
| 0027   | VTRS04026 |                  | RONDELLE D. 6X18X2.38                | 4,00     |          |    | --    |
| 0028   | VTDD00491 |                  | ECROU M 6 TEF                        | 4,00     |          |    | --    |
| 0029   | VTVT00710 | SL04158          |                                      | 2,00     |          |    | --    |
| 0030   | VTRS00504 | 05242            | RONDELLE D. 8 TE ZC. UNI 6592        | 4,00     |          |    | --    |
| 0031   | VTDD00057 |                  | ECROU UNI 5589 M8 BASSO ZB           | 1,00     |          |    | --    |
| 0032   | VTVT00448 | 05156            | VIS TE 8X30 UNI5739                  | 1,00     |          |    | --    |
| 0033   | VTRS00512 | RS01113          | RONDELLE D. 8 X24 ZC.                | 2,00     |          |    | --    |
| 0034   | VTDD00041 | 75038            | ECROU AUTO-BLO. M 8 UNI7473 8.8 ZNT  | 2,00     |          |    | --    |
| 0035   | VTRS00512 | RS01113          | RONDELLE D. 8 X24 ZC.                | 1,00     |          |    | --    |
| 0036   | CMCV00001 | 11051001         | FOURCHE UNI 1676 M8X16               | 1,00     |          |    | --    |
| 0036   | CMCV75718 | 11051101         | AGRAFE UNI 1676 M8                   | 1,00     |          |    | --    |
| 0037   | VTDD00041 | 75038            | ECROU AUTO-BLO. M 8 UNI7473 8.8 ZNT  | 2,00     |          |    | --    |
| 0038   | CMCV00430 |                  | CABLE 512-712                        | 1,00     |          |    | --    |
| 0039   | LAFN00053 | 2110041          | ENTRETOISE VENTOLA SU RIDUTT.D.20X11 | 2,00     |          |    | --    |
| 0040   | RCLR00173 | 70336            |                                      | 6,00     |          |    | --    |
| 0041   | CMCV00442 |                  | CABLE -                              | 2,00     |          |    | --    |
| 0042   | VTVT00892 | SL04421          | VIS                                  | 2,00     |          |    | --    |
| 0043   | VTRS15958 | 1105808          | RONDELLE UNI 6592 5X15X1,5 ZB        | 2,00     |          |    | --    |




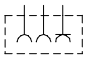



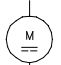
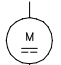
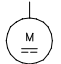
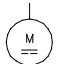
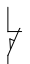
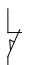
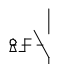
| Ref. K | Part N.   | Customer Part N. | Description               | Quantity | Validity |    | Price |
|--------|-----------|------------------|---------------------------|----------|----------|----|-------|
|        |           |                  |                           |          | From     | To |       |
| 0044   | LAFN03840 | SL07318          | DOUILLE                   | 2,00     |          |    | --    |
| 0045   | VTRS86980 |                  | RONDELLE D. 6X18 UNI6593  | 2,00     |          |    | --    |
| 0046   | VTRS86980 |                  | RONDELLE D. 6X18 UNI6593  | 2,00     |          |    | --    |
| 0047   | VTVT09916 | 1105235          | VIS TBCE ISO 7380 6X20 ZB | 2,00     |          |    | --    |
| 0048   | VTVT20261 | 75230            | VIS EI-ST 6X20 UNI5923    | 2,00     |          |    | --    |




TOLLERANZE GENERALI      LAVORAZIONE GENERALE

|             |      |                               |                               |              |               |                    |  |
|-------------|------|-------------------------------|-------------------------------|--------------|---------------|--------------------|--|
| 1           |      | 18/01/2010                    | AGGIUNTO SECONDO MICRO COFANO |              | BENEVELLI     |                    |           |
| IND.        | DATA | DESCRIZIONE MODIFICA          |                               |              | FIRMA         | MT N°              |  |
| P.GREZZO: 0 |      | g                             | DERIVAZ.:                     | PIANO CONTR. | TRASMESSO IL: |                    | <br>SCALA |
| P.FINITO: 0 |      | g                             | STAMPO:                       | FILE 3D:     | R : N/mm      |                    |  |
| MATERIALE:  |      |                               |                               |              | STATO:        |                    | FMT A3O<br>SOSTITUISCE:  |
| TRATTAM.:   |      |                               |                               |              | DUREZZA:      |                    |  |
| FAMIGLIA    |      | DENOMINAZIONE                 |                               |              |               | DIS. COD.          |  |
| ELETT       |      | SCHEMA ELETTRICO 512/712 U.T. |                               |              |               | 512      PLDC01562 |  |

== IL PRESENTE DISEGNO E' DI PROPRIETA' DELLA IP CLEANING S.p.a. == NE E' VIETATA LA RIPRODUZIONE O LA DIVULGAZIONE A TERMINI DI LEGGE ==

| Sim.\Sym.   | Sigla\Item       | Funzione\Use Type             | Sim.\Sym.   | Sigla\Item      | Funzione\Use Type | Sim.\Sym. | Sigla\Item | Funzione\Use Type |
|---|------------------|-------------------------------|---|-----------------|-------------------|-----------|------------|-------------------|
|    | Batt<br>=QG<br>1 | Battery                       |  | XS1<br>=QG<br>1 | Plug              |           |            |                   |
|    | FU1<br>=QG<br>1  | Fuse                          |   |                 |                   |           |            |                   |
|    | FU2<br>=QG<br>1  | Fuse                          |   |                 |                   |           |            |                   |
|    | FU3<br>=QG<br>1  | Fuse                          |   |                 |                   |           |            |                   |
|    | MD1<br>=QG<br>1  | Main brush                    |   |                 |                   |           |            |                   |
|    | MD2<br>=QG<br>1  | Traction                      |   |                 |                   |           |            |                   |
|    | MD3<br>=QG<br>1  | Fan motor                     |   |                 |                   |           |            |                   |
|    | MD4<br>=QG<br>1  | Shaker                        |   |                 |                   |           |            |                   |
|    | S1<br>=QG<br>1   | Hood microswitch              |   |                 |                   |           |            |                   |
|   | S2<br>=QG<br>1   | Battery charger enable switch |   |                 |                   |           |            |                   |
|  | SA1<br>=QG<br>1  | TURN ON Key                   |   |                 |                   |           |            |                   |

| TOLLERANZE GENERALI      |      |   |              | LAVORAZIONE GENERALE |              |  |  |
|--------------------------|------|---|--------------|----------------------|--------------|--|--|
| IND.                     | DATA | DESCRIZIONE MODIFICA                                  |              | FIRMA                | MT N°        | <br><b>IPC</b><br>DISEG.: <b>MBENEVELLI</b><br>FTECN: <b>RECCANELLO</b><br>DATA: <b>18/01/2010</b><br>FOGLIO: 2/2<br>IE: <b>PLDC01562</b> |  |
| P.GREZZO: <b>0</b>       | g    | DERIVAZ.:   | PIANO CONTR. | TRASMESSO IL:        | SCALA        |  |  |
| P.FINITO: <b>0</b>       | g    | STAMPO:   | FILE 3D:     |                      |              |  |  |
| MATERIALE:               |      |   |              | R :                  | N/mm         |  |  |
| STATO:                   |      |   |              | MAT.PR:              | SOSTITUISCE: |  |  |
| TRATTAM.:                |      |   |              | DUREZZA:             |              |  |  |
| FAMIGLIA<br><b>ELETT</b> |      | DENOMINAZIONE<br><b>SCHEMA ELETTRICO 512/712 U.T.</b> |              |                      |              | DIS. COD.<br><b>512 PLDC01562</b>  |  |