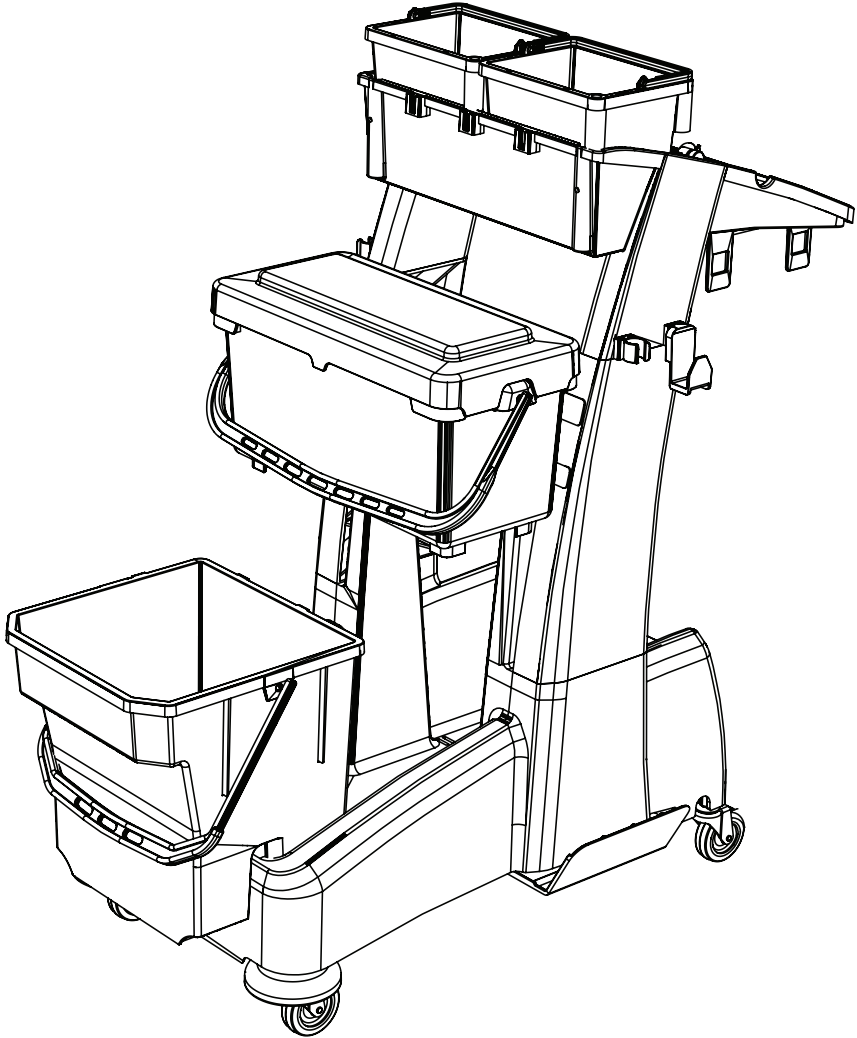
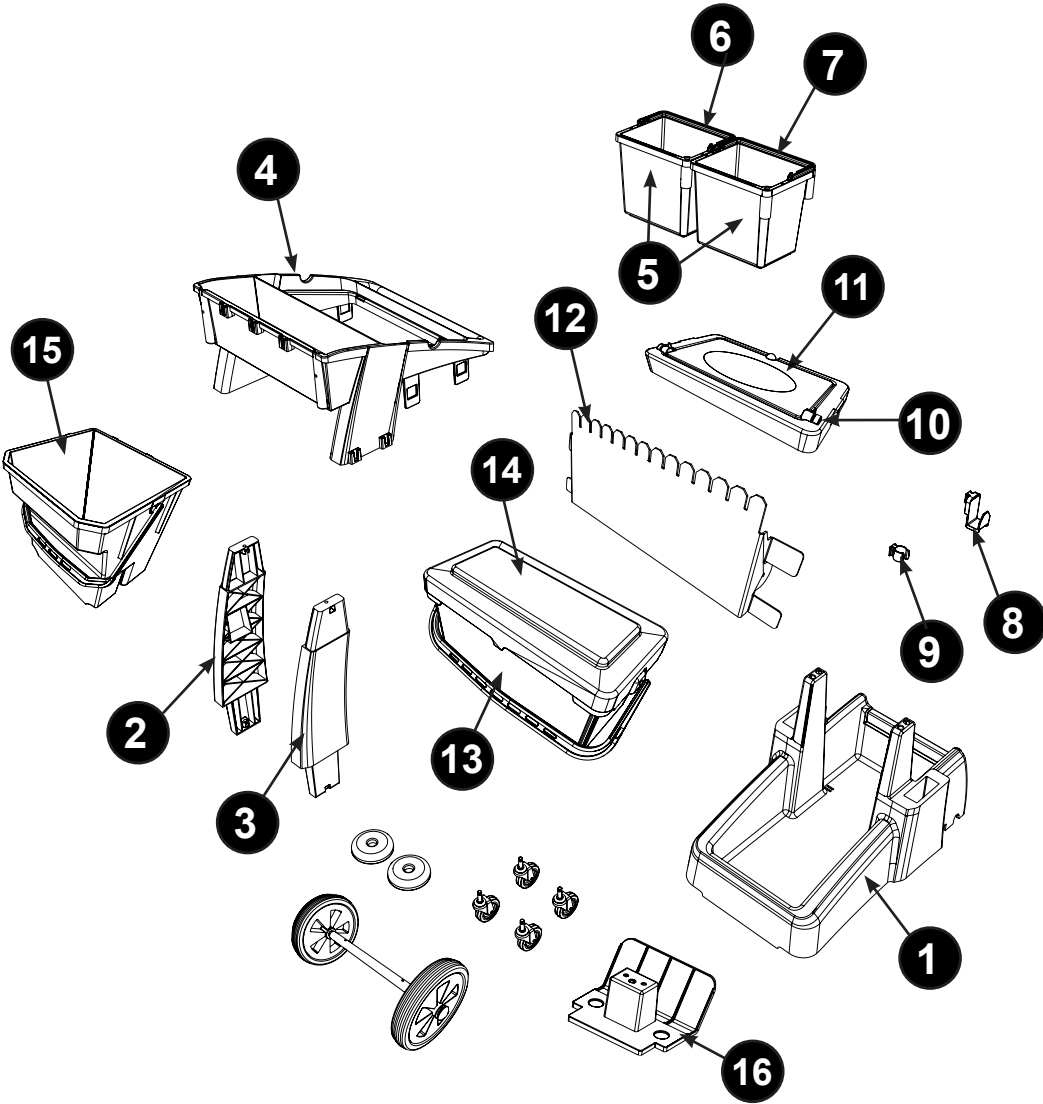
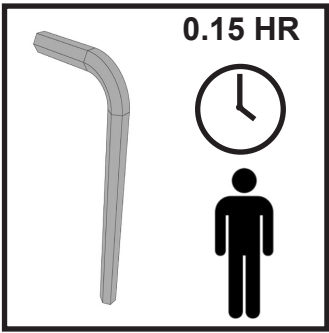


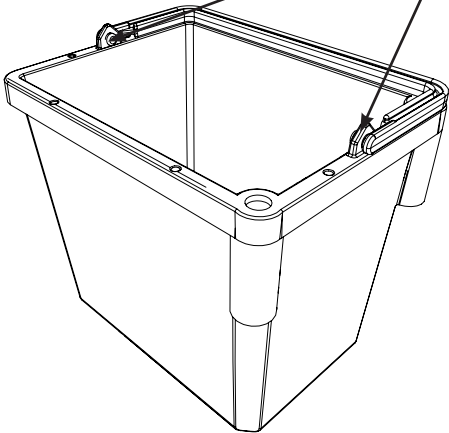
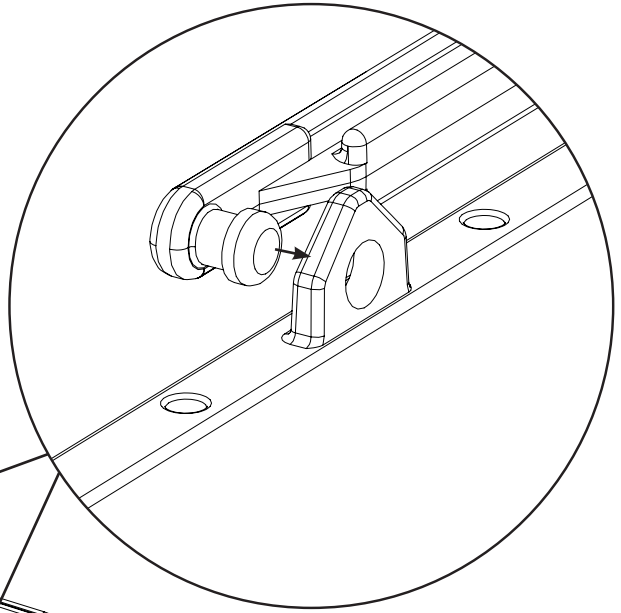
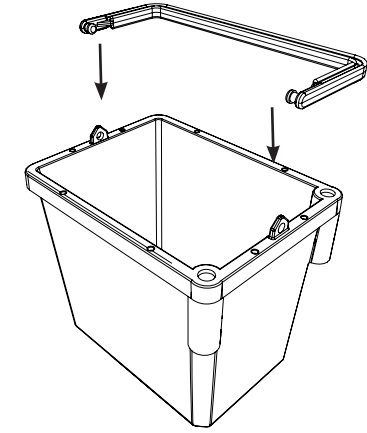
MM-8/BW Mop Dosing Trolley Assembly (France)

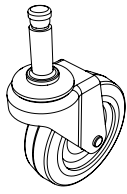


Numatic

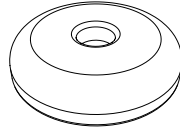


Item	Description	Quantity
1	Reflo Base	1
2	Left Hand Upright	1
3	Right Hand Upright	1
4	Handle Frame	1
5	5 Litre Bucket	2
6	Red Handle	1
7	Blue Handle	1
8	Versaclean Hook T Slot	2
9	22mm Mid Mop Clamp	2
10	Bag Securing	1
11	Lid	1
12	MB 400 Bracket	1
13	Mopmatic Bucket	1
14	Mopmatic 3 Lid	1
15	28 Litre Bucket	1
16	Mop Stand	2
Optional Extra:	Axle and Wheel Assembly	1

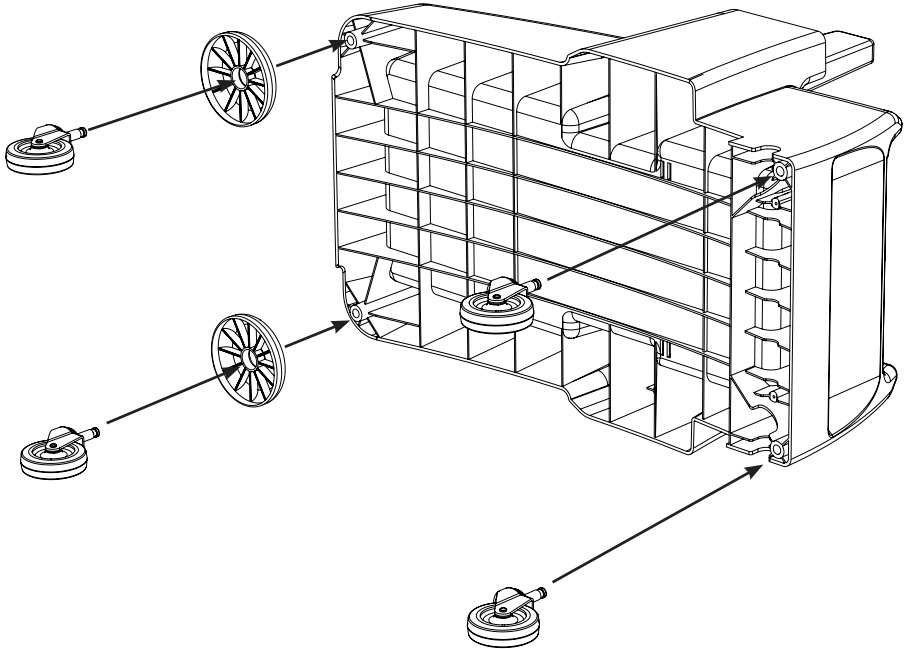




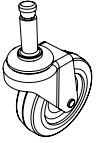
x4



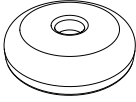
x2



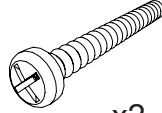
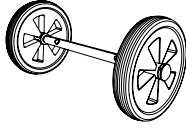
NO6 X 1 3/8 Inch Long Pozi
Pan Screw



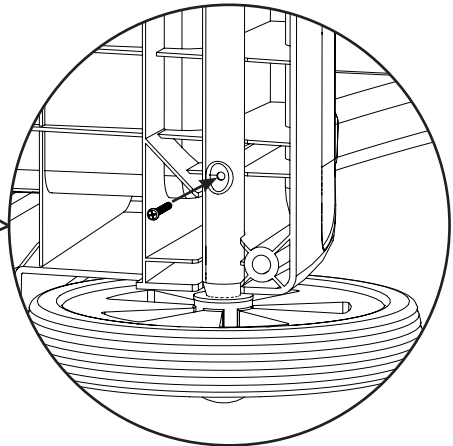
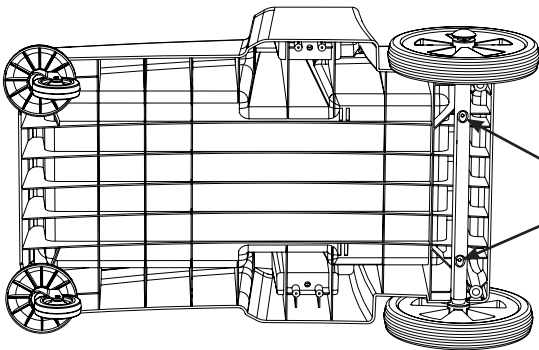
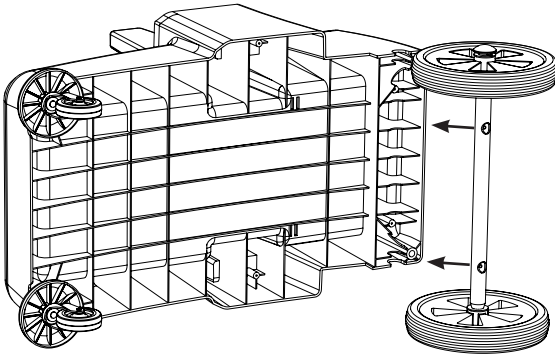
x2

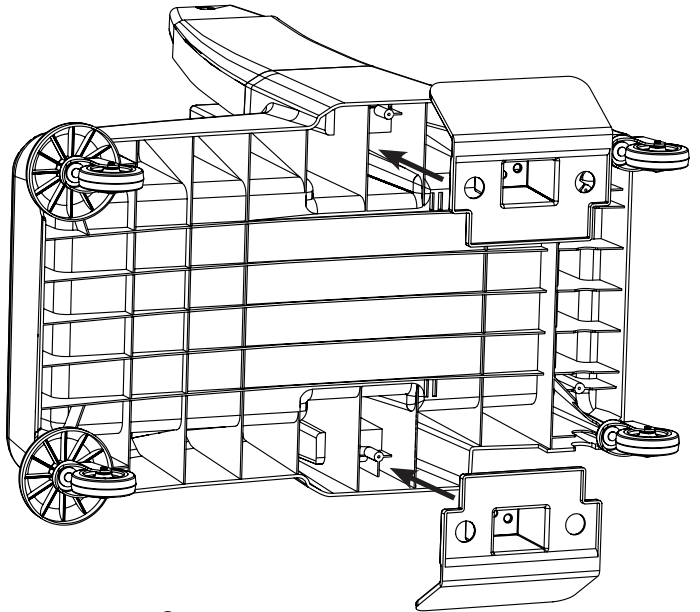
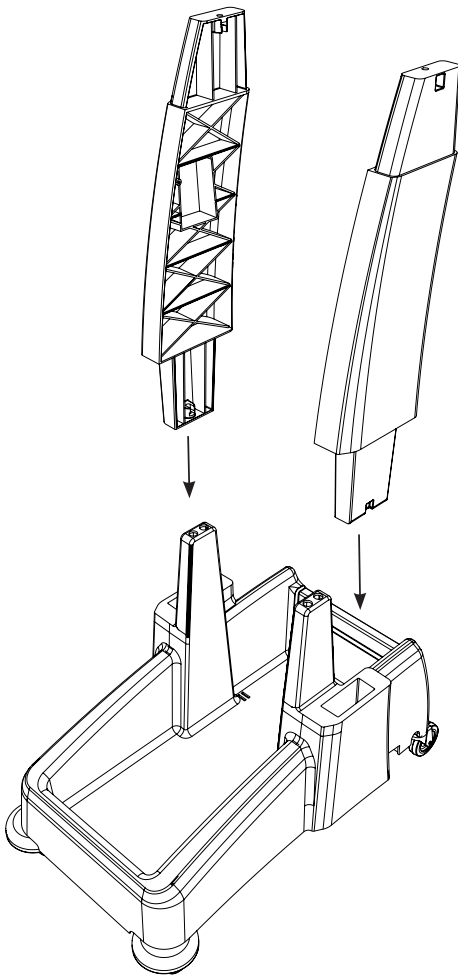


x2

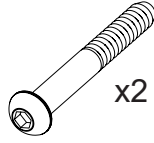


x2



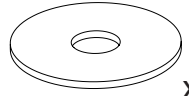


M8 X 60mm
Socket Bolt

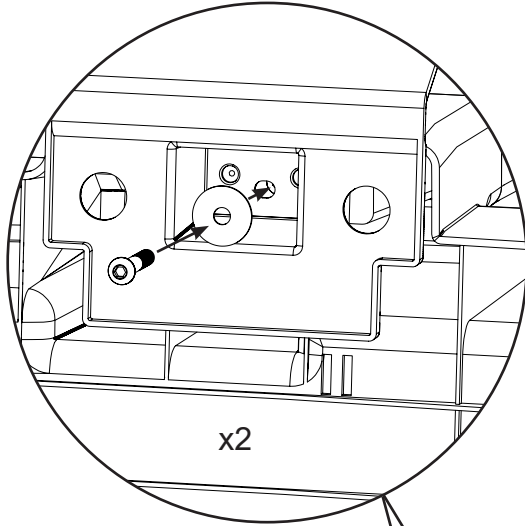


x2

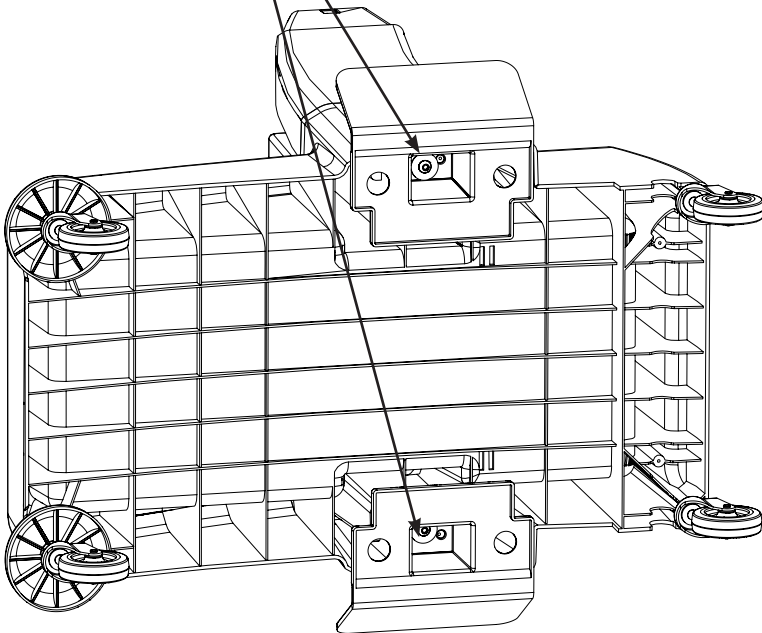
M8 X 30 Penny
Washer

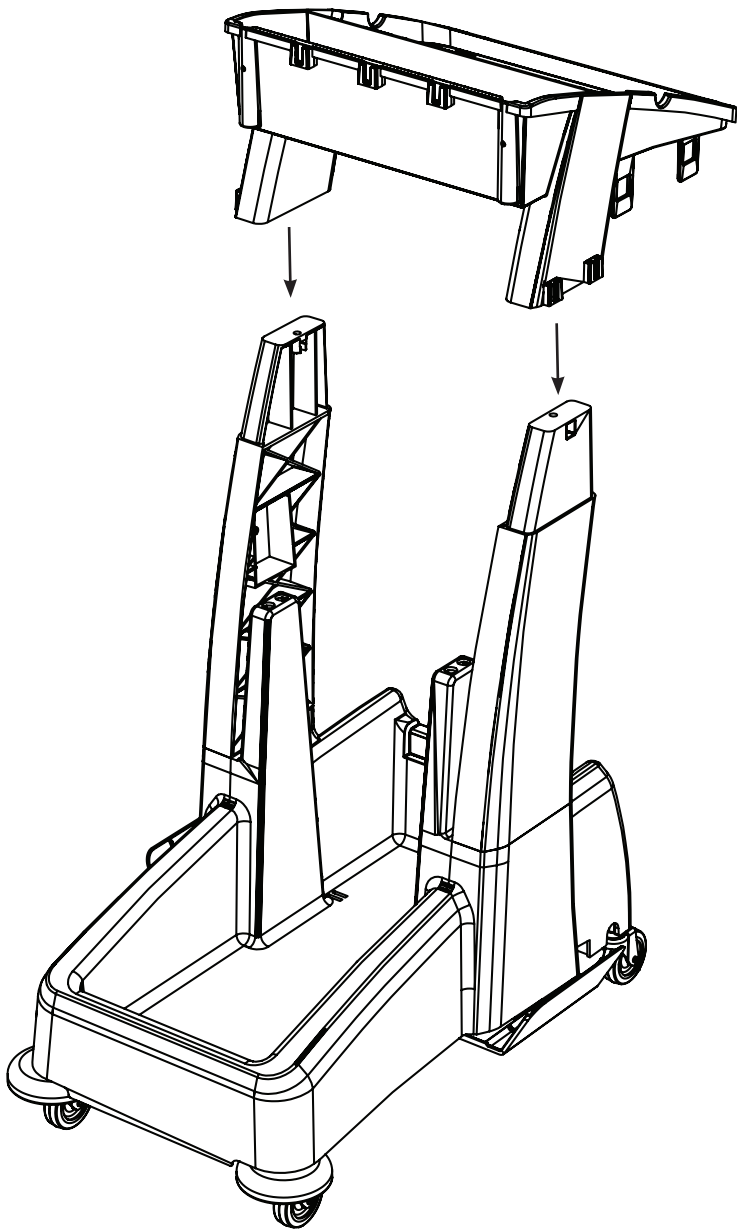


x2

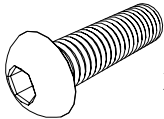


x2

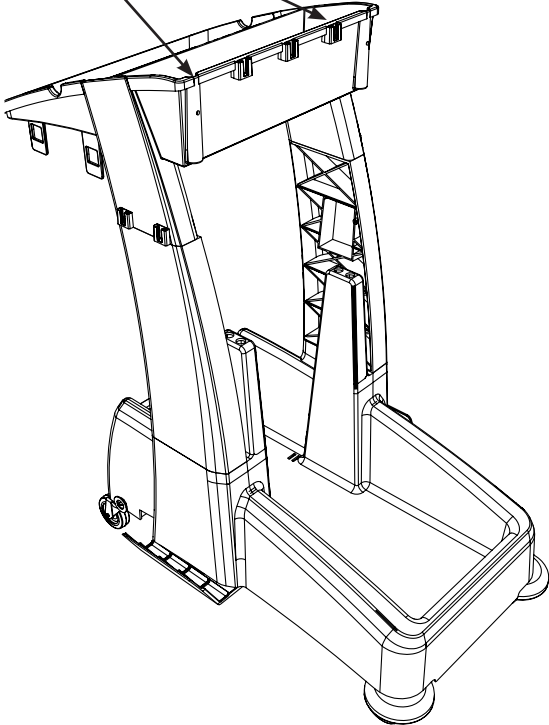
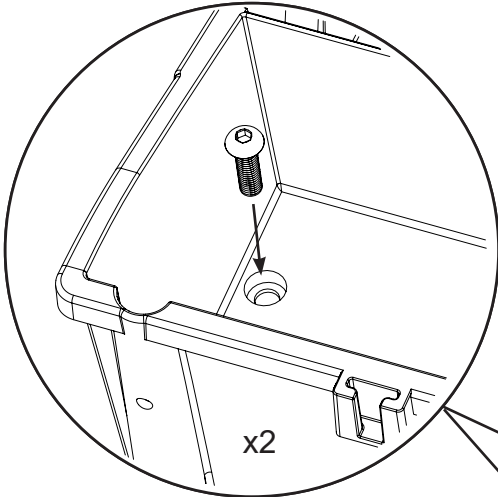


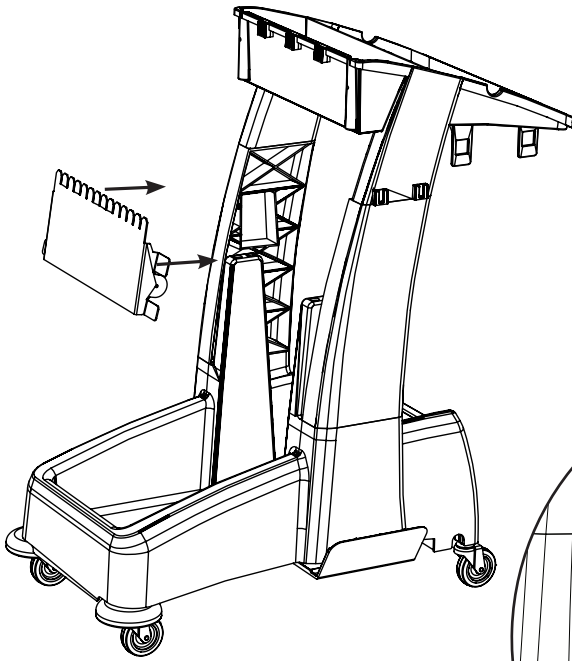


M8 X 25mm Socket Bolt

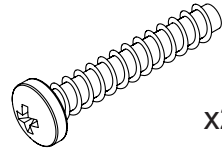


x2

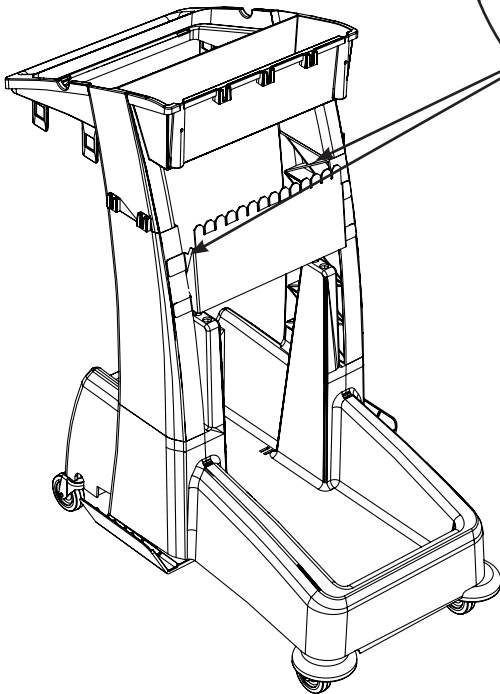
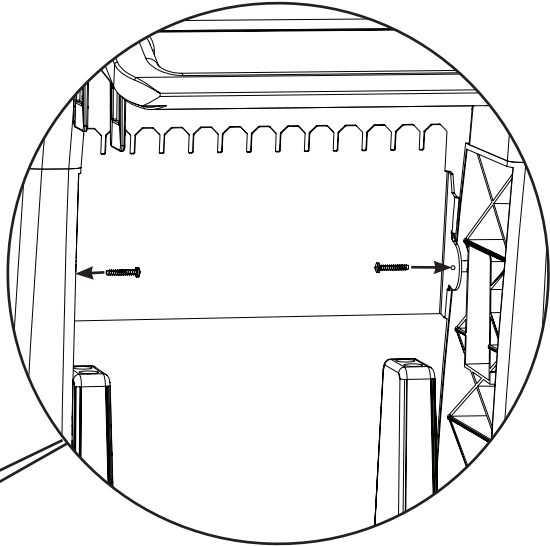


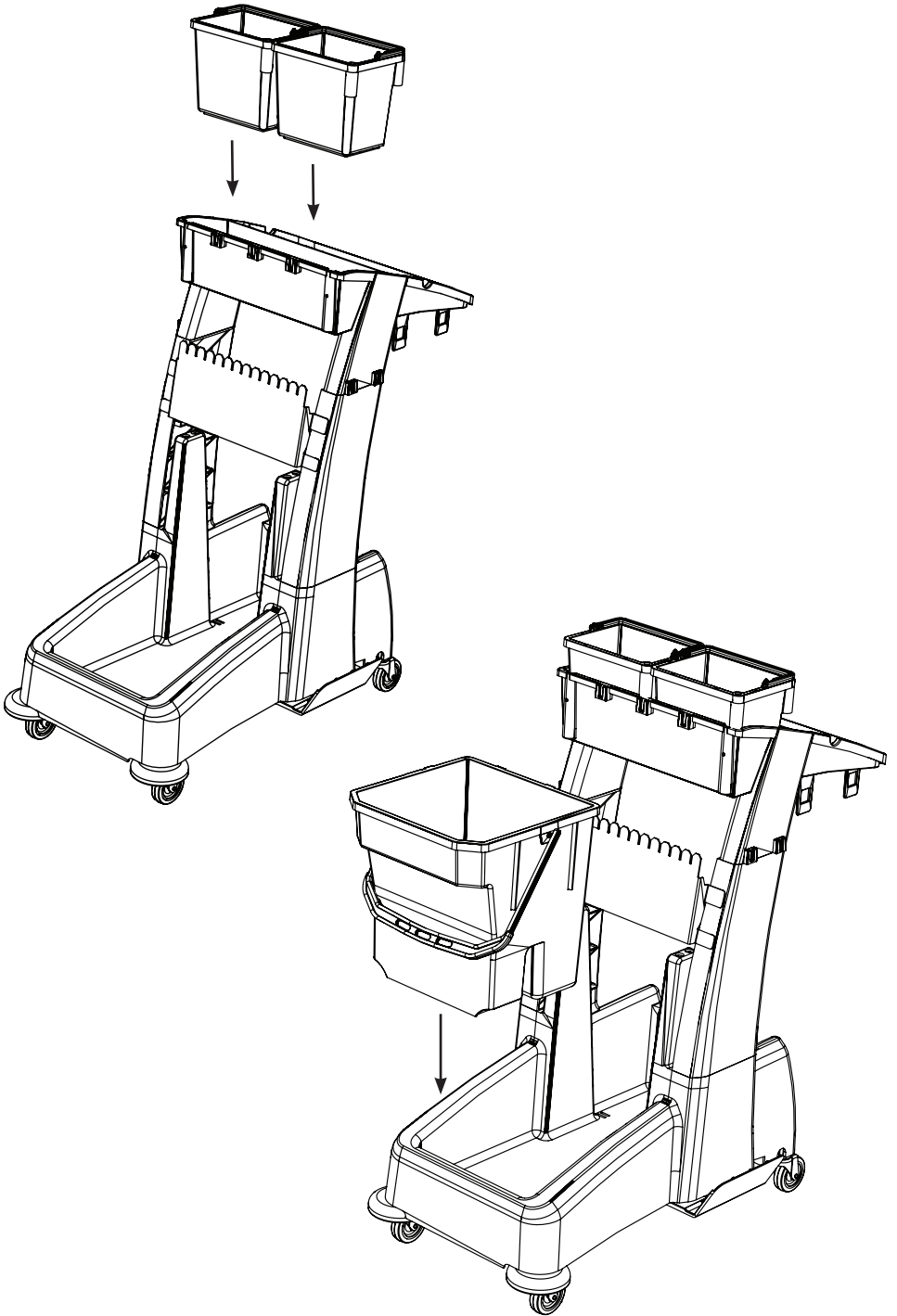


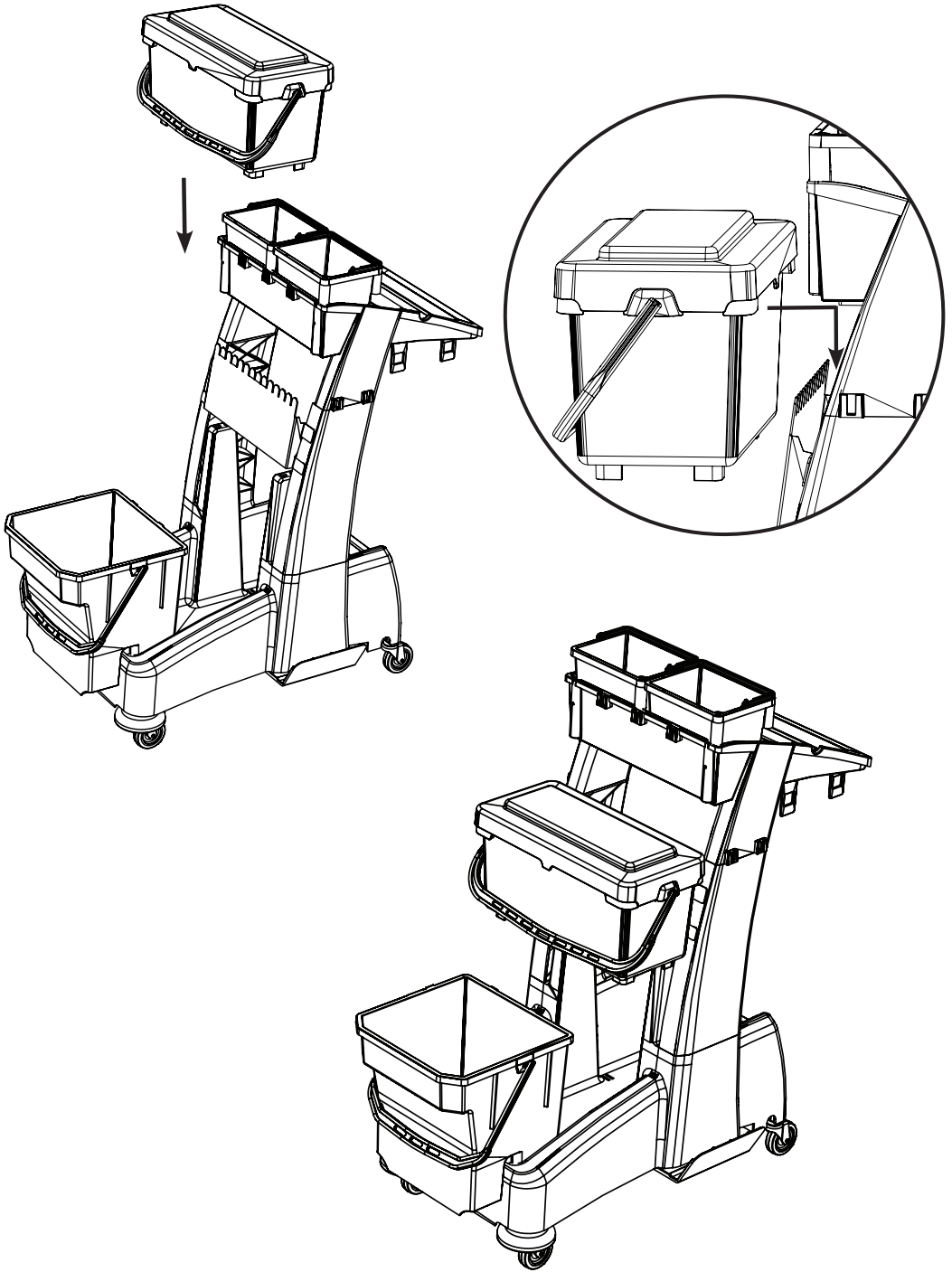
No. 8 x Inch Pozi Pan
Screw

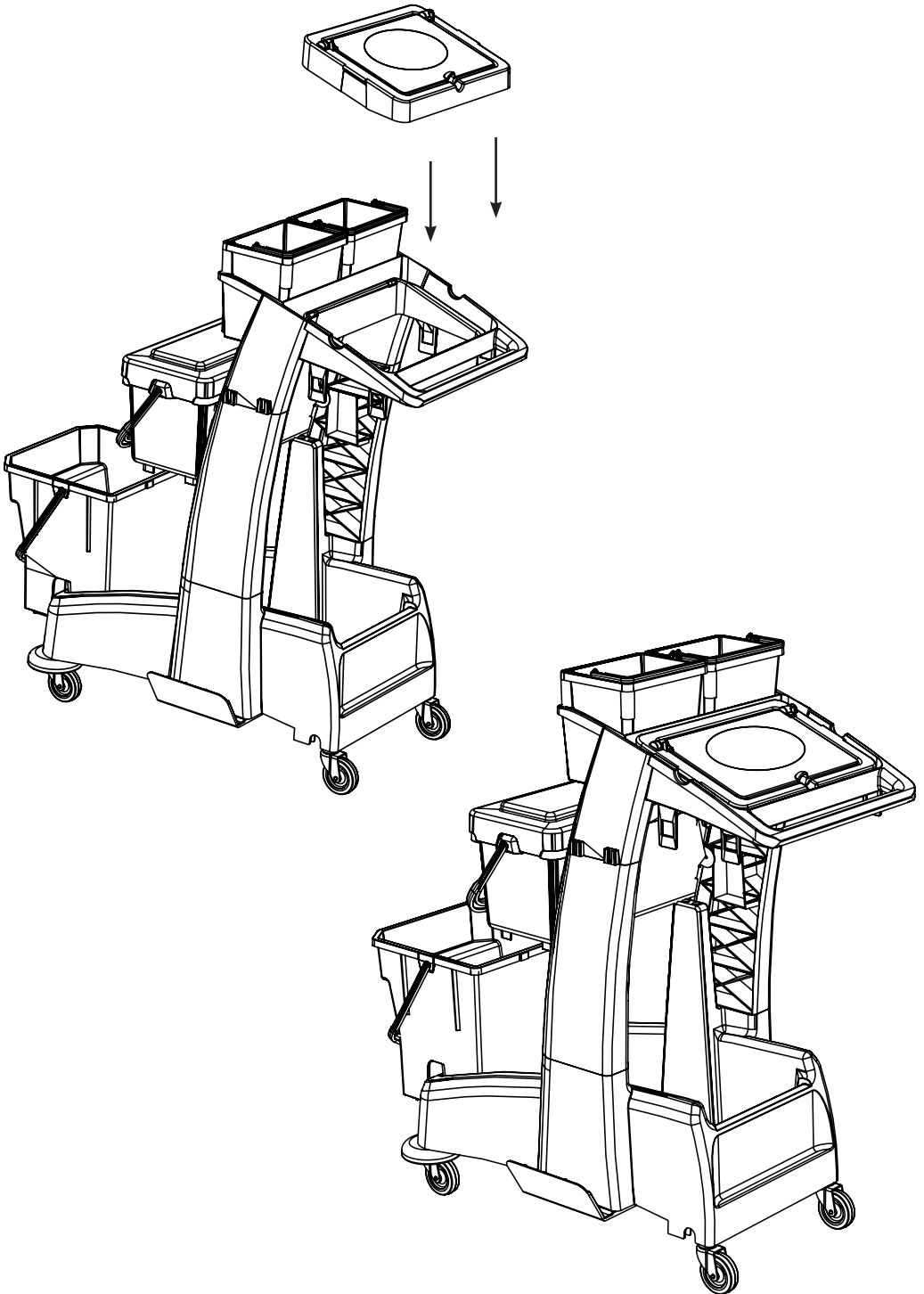


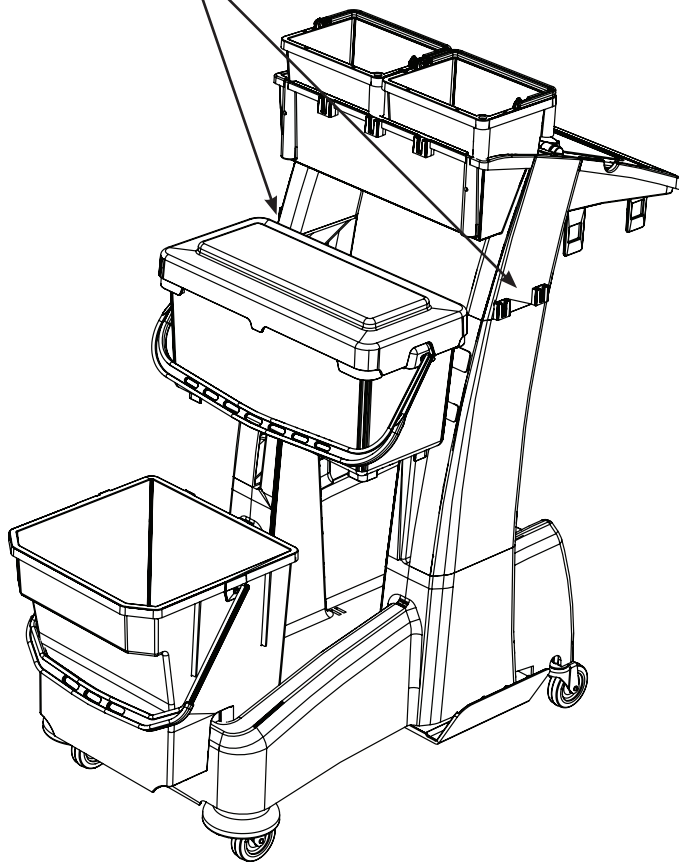
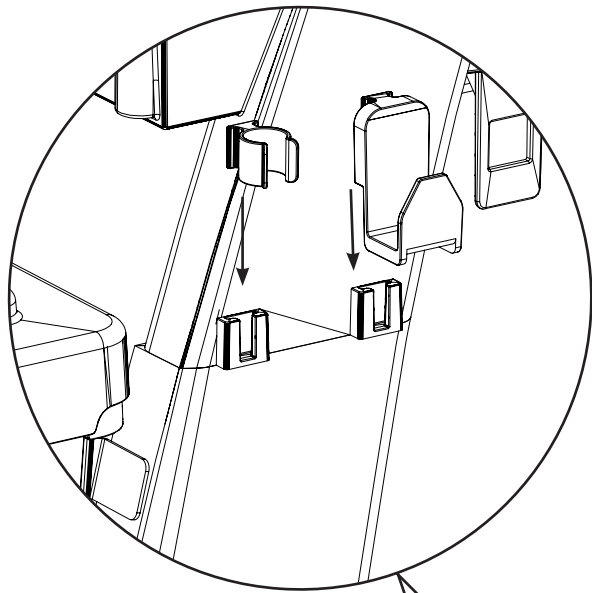
x2

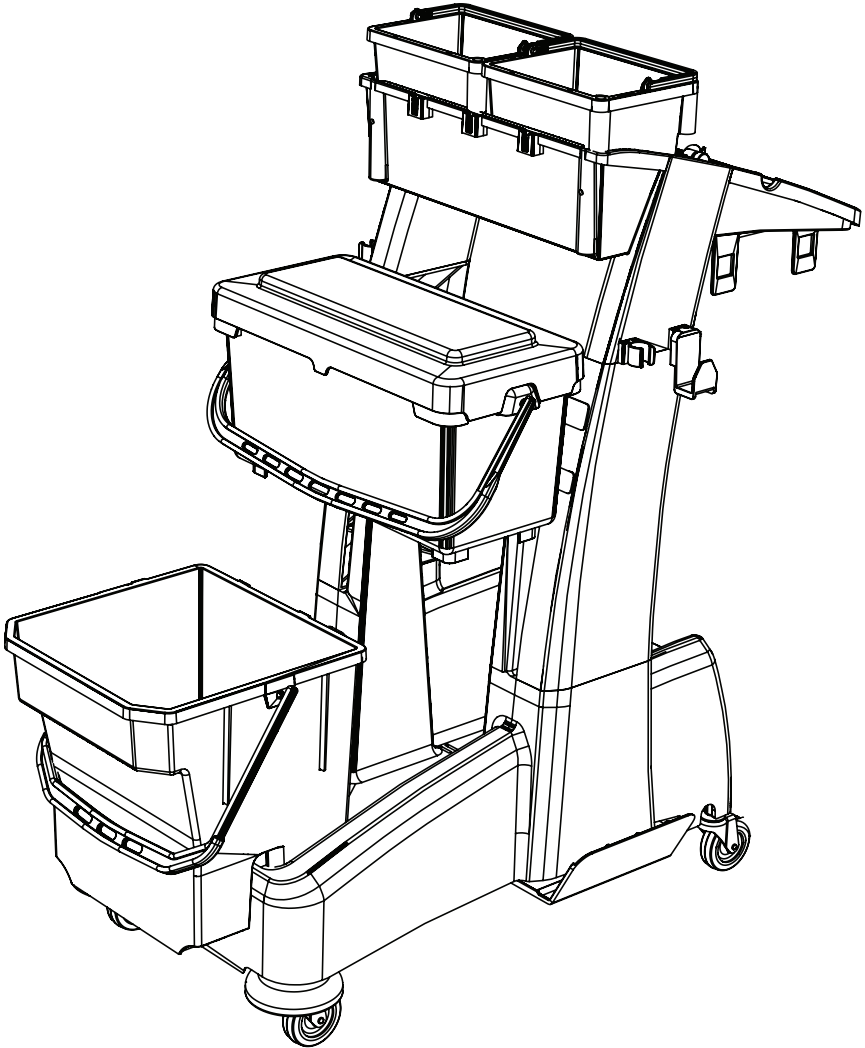












Numatic