



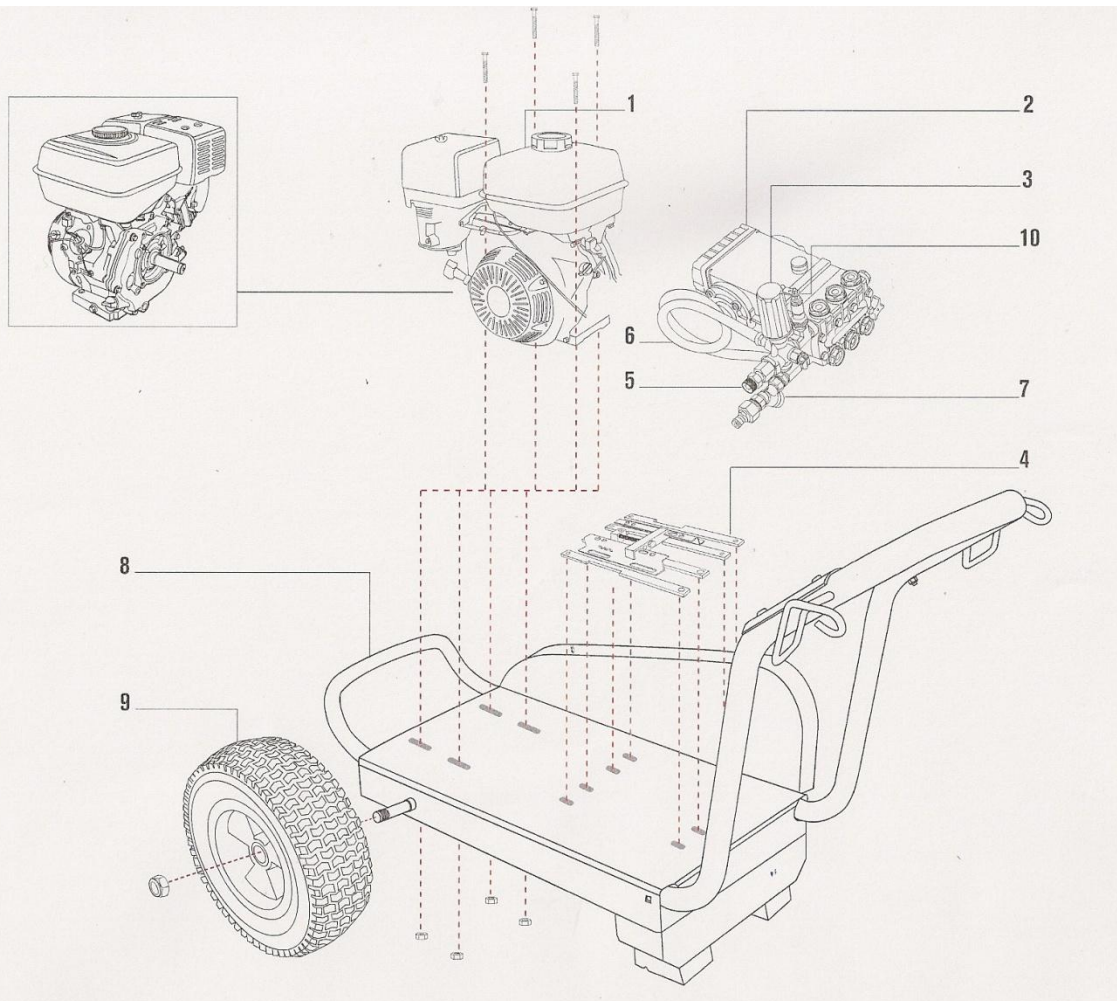
ICA

**VUE ECLATEE Autonome BENZ 280/16 COOL
DRIVE**
Référence IDAF99896





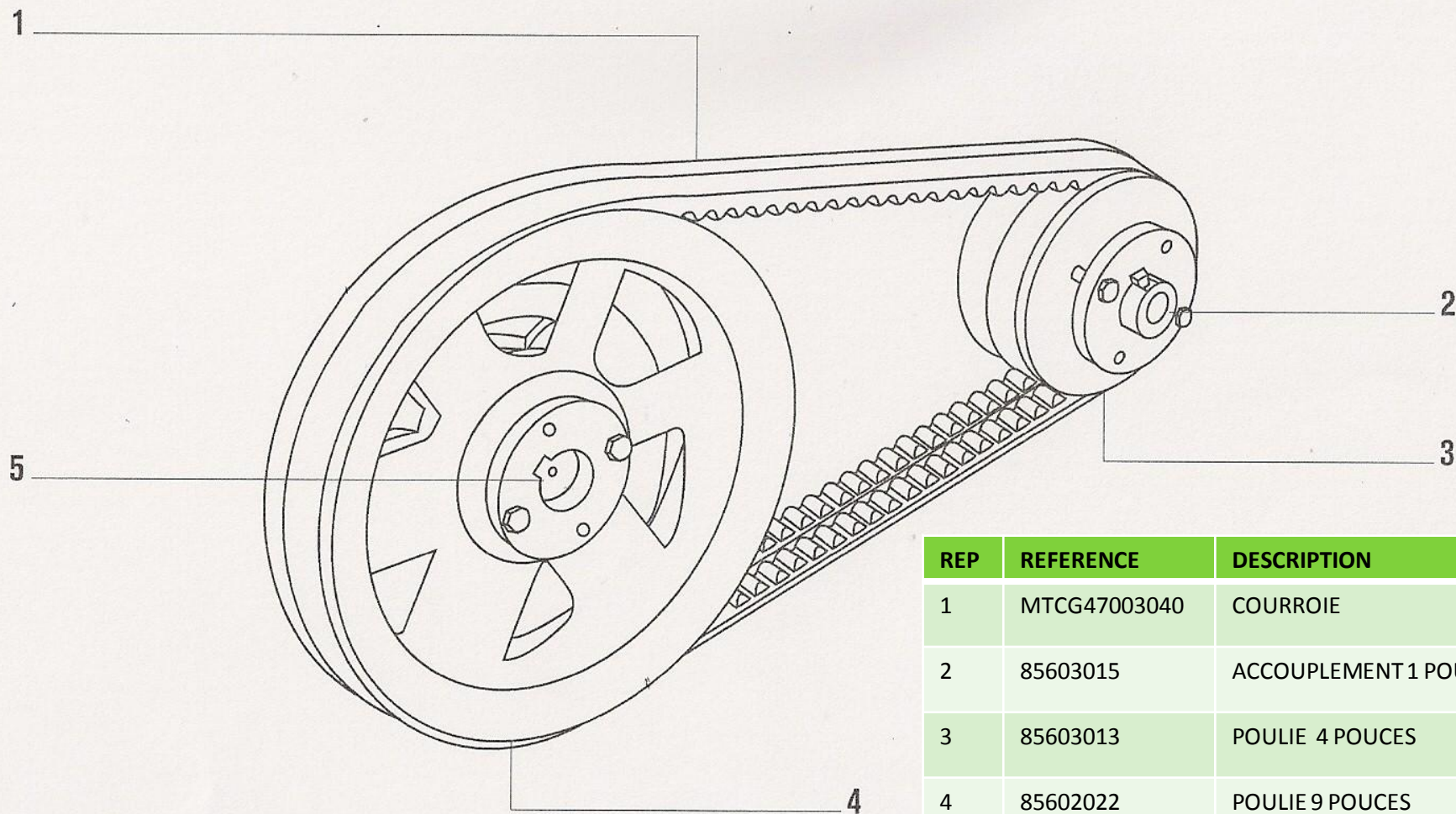
VUE D'ENSEMBLE: Châssis – moteur - pompe



| REP | REFERENCE | DESCRIPTION |
|-----|----------------------|--------------------------------|
| 1 | MOTEUR HONDA GX390 | |
| 2 | P TS 1511 | POMPE TS1511 |
| 3 | P 60.0006.90 | VANNE BY-PASS |
| 4 | 85601060 | RAIL POMPE + REGLAGE |
| 5 | RCIN03753 | RACCORD M22M – 3/8F |
| 6 | TBBP85202078 + 57760 | TUYAU BY-PASS + T SUR VERIN |
| 7 | 85300065 | Y ENTREE EAU DE VILLE |
| 8 | 85600081 | CHASSIS INOX |
| 9 | RTRT85660036 | ROUE |
| 10 | KTRI85400114 | DECELERATEUR |



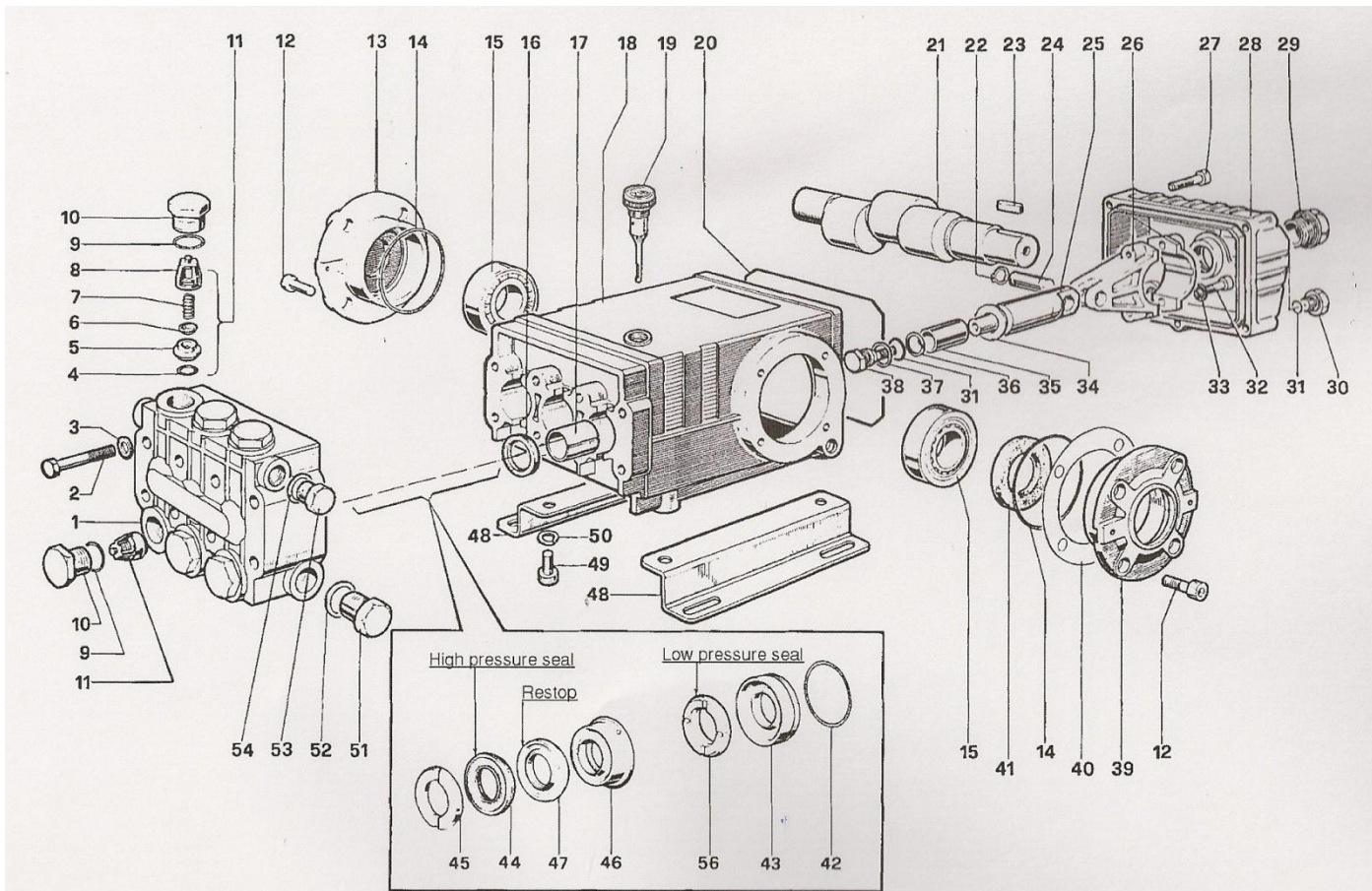
ENSEMBLE Courroies et poulies



| REP | REFERENCE | DESCRIPTION |
|-----|--------------|-----------------------|
| 1 | MTCG47003040 | COURROIE |
| 2 | 85603015 | ACCOUPLLEMENT 1 POUCE |
| 3 | 85603013 | POULIE 4 POUCES |
| 4 | 85602022 | POULIE 9 POUCES |
| 5 | KTRI85603014 | ACCOUPLLEMENT 24 MM |



VUE ECLATE POMPE TS1511 / BENZ 280-16



| KIT N° | KIT 1 | KIT 2 | KIT 3 | KIT 4 | KIT 6 | KIT 7 | KIT 69 | KIT 71 | KIT 10 | KIT 28 |
|------------------|-------------------|-------|-------|-------|------------------|-------|-----------|--------|--------|-------------------------|
| PIECES INCLUSES | 4,5, 6,7, 8, (11) | 16 | 41 | 9,10 | 31,34, 36,37, 38 | 45 | 44,47, 56 | 46,47 | 42,43 | 42,43, 44,45, 46,47, 56 |
| NOMBRE DE PIECES | 6 | 3 | 2 | 6 | 3 | 6 | 3 | 3 | 3 | 1 |



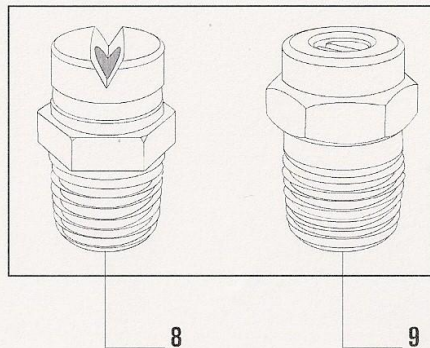
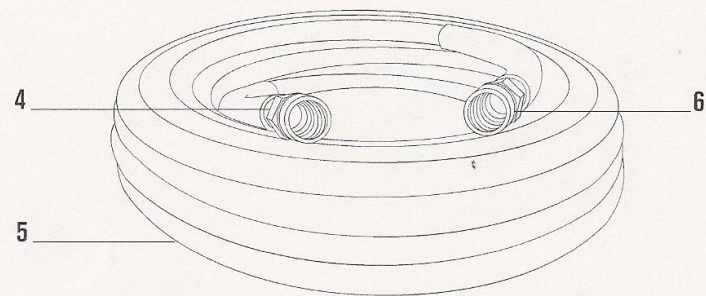
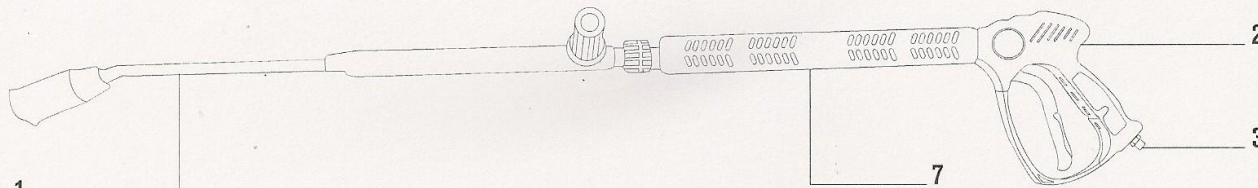
LISTE DES PIECES POMPE TS1511 / BENZ 280-16

| No. | Part Number | Description |
|-----|-------------|----------------------|
| 1 | 47120841 | Manifold |
| 2 | 99320600 | Screw, M8 x 70 |
| 3 | 96702000 | Washer, M8.4 |
| 4 | 90384100 | O-Ring, .674 x .103 |
| 5 | 36200366 | Seat, Valve |
| 6 | 36200176 | Plate, Valve |
| 7 | 94737600 | Spring |
| 8 | 36200251 | Guide, Valve |
| 9 | 90384700 | O-Ring, .797 x .103 |
| 10 | 98222000 | Cap |
| 11 | 36703201 | Valve Assembly |
| 12 | 99303900 | Screw, M8 x 16 |
| 13 | 47150122 | Cover, Crankcase |
| 14 | 90391300 | O-Ring, 2.675 x .103 |
| 15 | 640047 | Bearing, Roller |
| 16 | 90162500 | Seal, Oil |
| 17 | 90912600 | Bushing |
| 18 | 47010522 | Crankcase |
| 19 | 98210600 | Oil Dip Stick |
| 20 | 90392200 | O-Ring, Cover |
| 21 | 47021835 | Crankshaft |
| 22 | 90055700 | Ring, Snap |
| 23 | 91489000 | Key |
| 24 | 97738000 | Pin, Wrist |
| 25 | 47050554 | Guide, Plunger |
| 26 | 47030001 | Rod, Connecting |
| 27 | 99191200 | Screw, M6 x 30 |
| 28 | 47160122 | Cover, Crankcase |

| No. | Part Number | Description |
|-----|-------------|------------------------------|
| 29 | 97596800 | Oil Indicator |
| 30 | 98204100 | Cap |
| 31 | 90358500 | O-Ring, .426 x .070 |
| 32 | 99309900 | Screw, M8 x 35 |
| 33 | 96701400 | Washer, M8.4 |
| 34 | 96728600 | Washer, M14 |
| 35 | 47040409 | Plunger, (20 mm) |
| 36 | 90506700 | Ring, Back-up |
| 37 | 96728000 | Washer |
| 38 | 47219566 | Screw, Plunger |
| 39 | 47150022 | Cover, Crankcase |
| 40 | 97567800 | Shim |
| 41 | 90164800 | Seal, Oil |
| 42 | 90361600 | O-Ring, 1.364 x .070 |
| 43 | 47080570 | Retainer, Packing |
| 44 | 90270500 | Packing |
| 45 | 47100051 | Ring, Head, M20 |
| 46 | 47216970 | Intermed. Ring |
| 47 | 90270400 | Restop Ring |
| 48 | 47200074 | Pump Feet |
| 49 | 99364400 | Screw, M10 x 18 |
| 50 | 96710600 | Washer, M10.2 |
| 51 | 98217600 | Cap |
| 52 | 96751400 | Washer, M21.5 |
| 53 | 98210000 | Cap |
| 54 | 96738000 | Washer, M17.5 |
| 56 | 90271000 | Seal, Low Press., 20mm 28,69 |



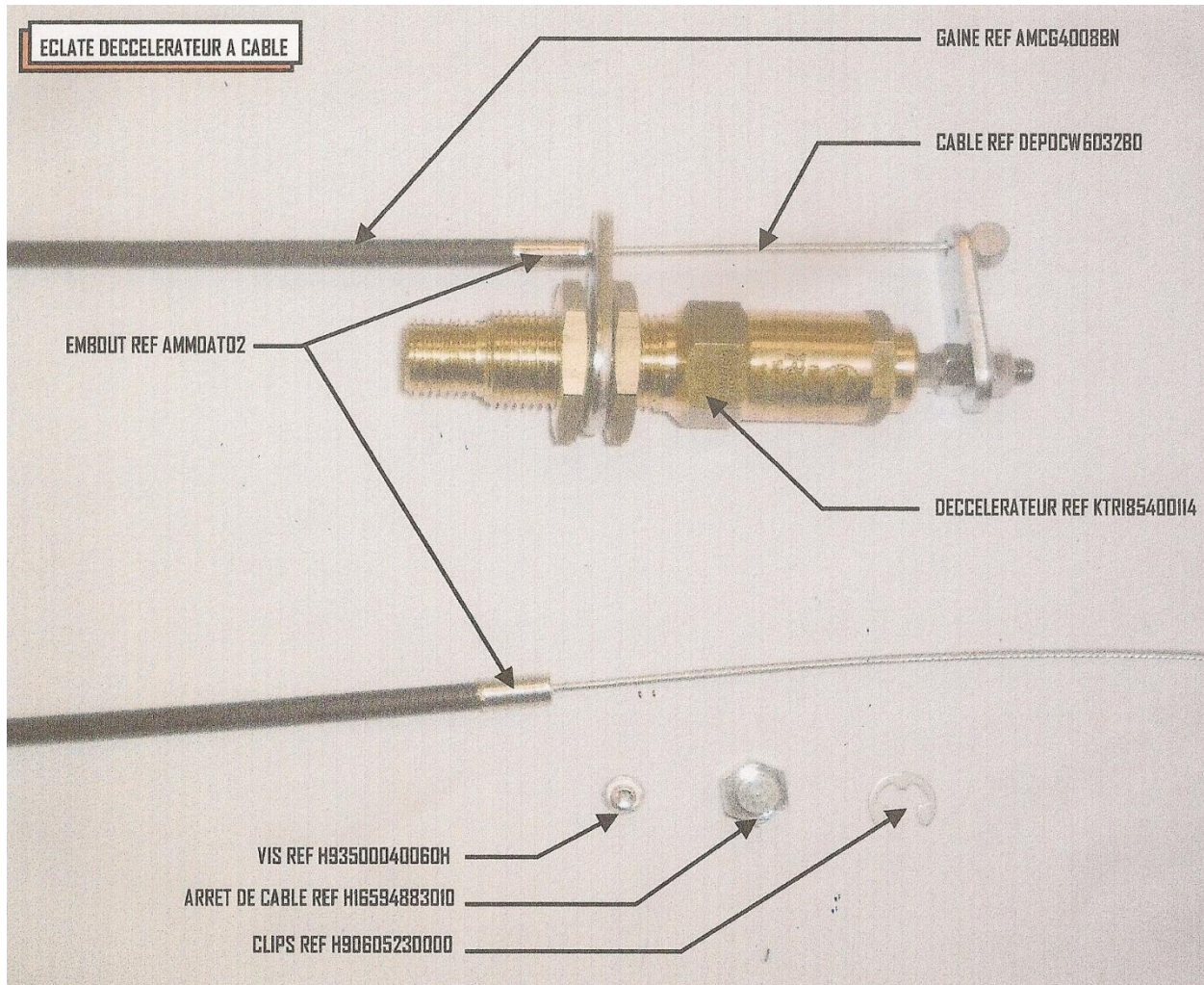
DESCRIPTION ACCESSOIRES



| REP | REFERENCE | DESCRIPTION |
|-----------|-----------|------------------------|
| 1 | LCPR12983 | DOUBLE LANCE 70 CM |
| 2/7/ 3 | IPPR40002 | |
| 4 | RCIN03758 | RACCORD M22F - 3/8F |
| 5 | TBAP16656 | FLEXIBLE HP 15 MTS |
| 6 | RCIN03758 | RACCORD M22F - 3/8F |
| 8 | UGLN05174 | BUSE BP |
| 9 | UGLN02287 | BUSE 040 - 25° |



VUE ECLATEE DECELERATEUR



**ICA****MOTEUR HONDA GX390**

| DESCRIPTION | REFERENCE |
|--------------|--------------|
| FILTRE A AIR | H17210ZE3505 |
| BOUGIE | H98079568460 |
| LANCEUR | H28400ZE3W01 |