



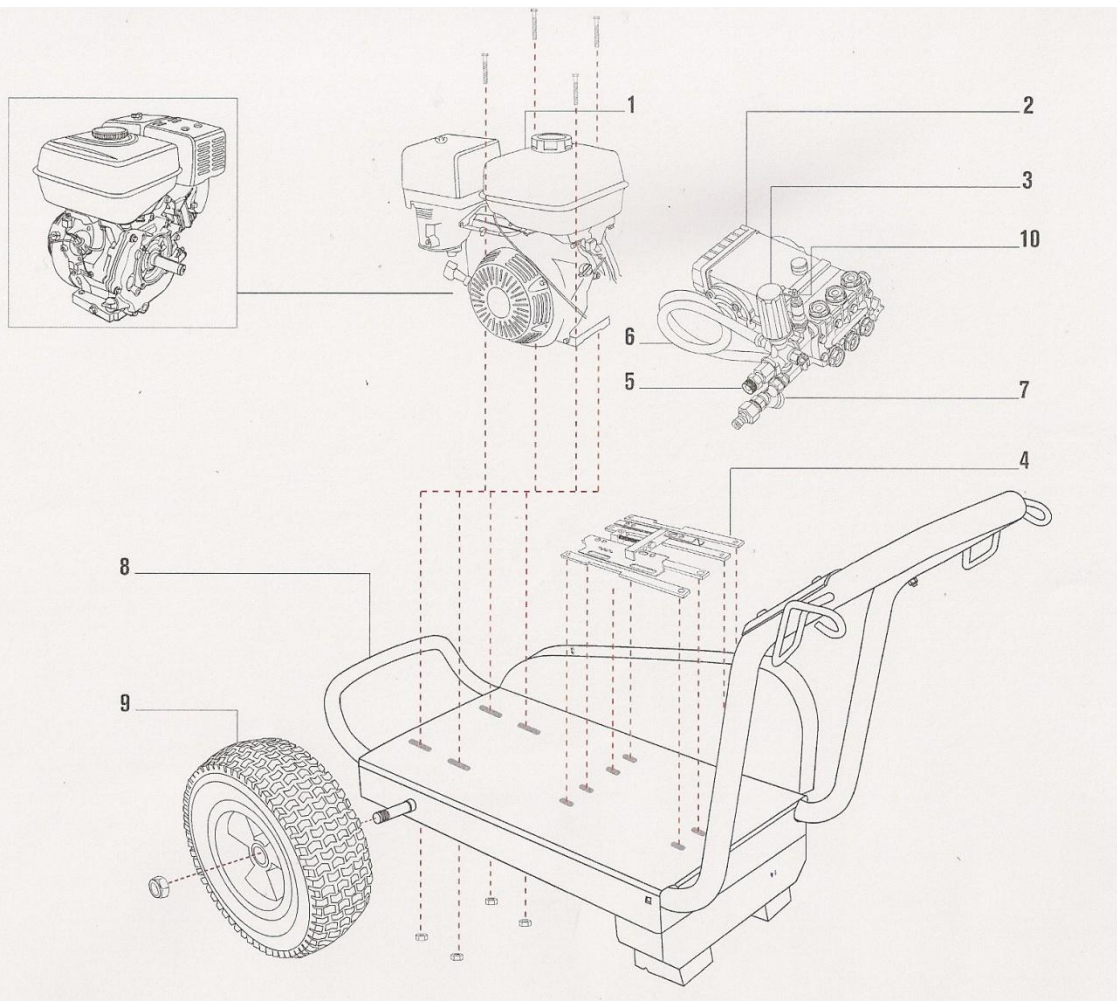
ICA

**VUE ECLATEE Autonome BENZ 280/16 COOL
DRIVE**
Référence IDAF99896





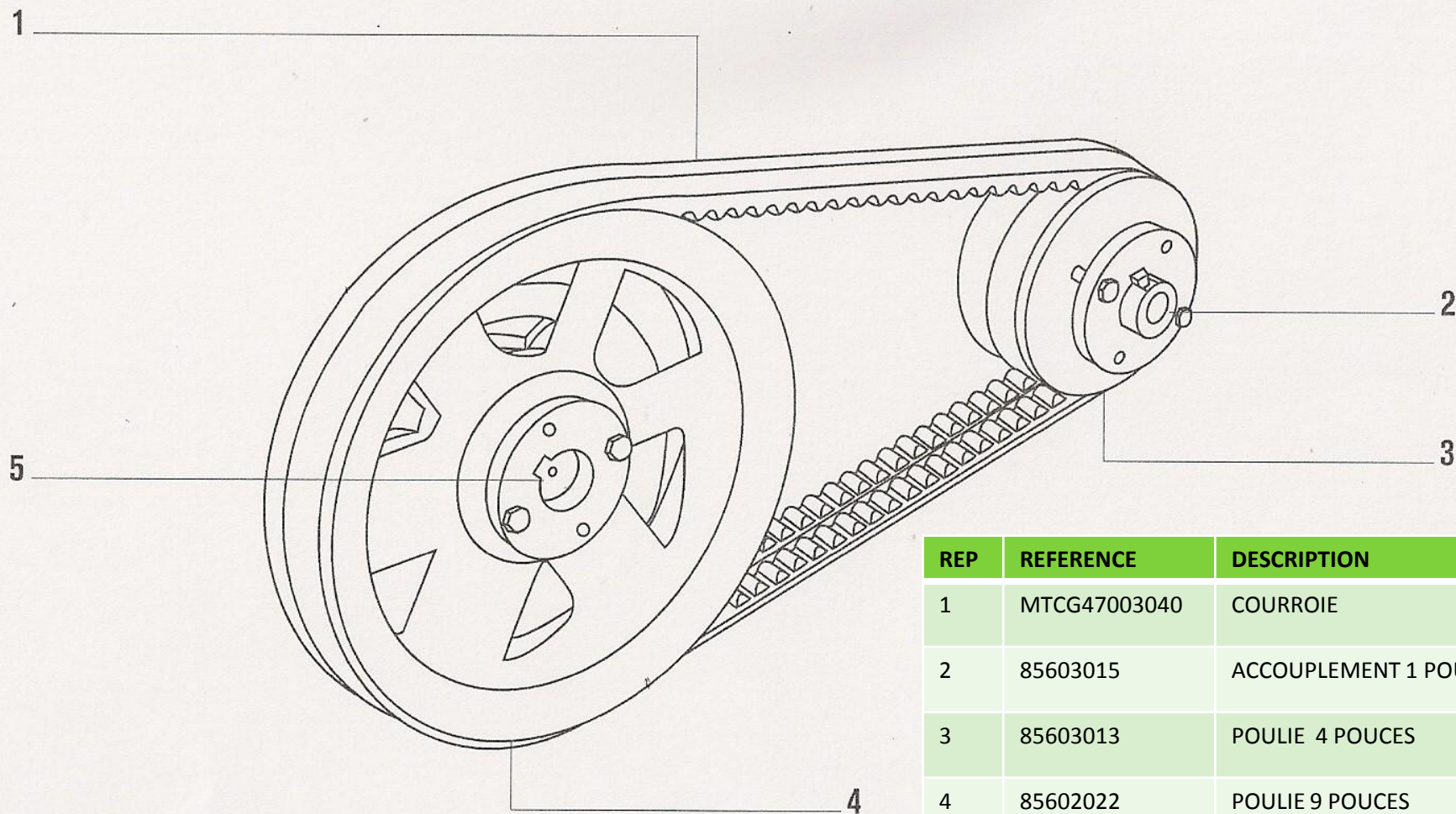
VUE D'ENSEMBLE: Châssis – moteur - pompe



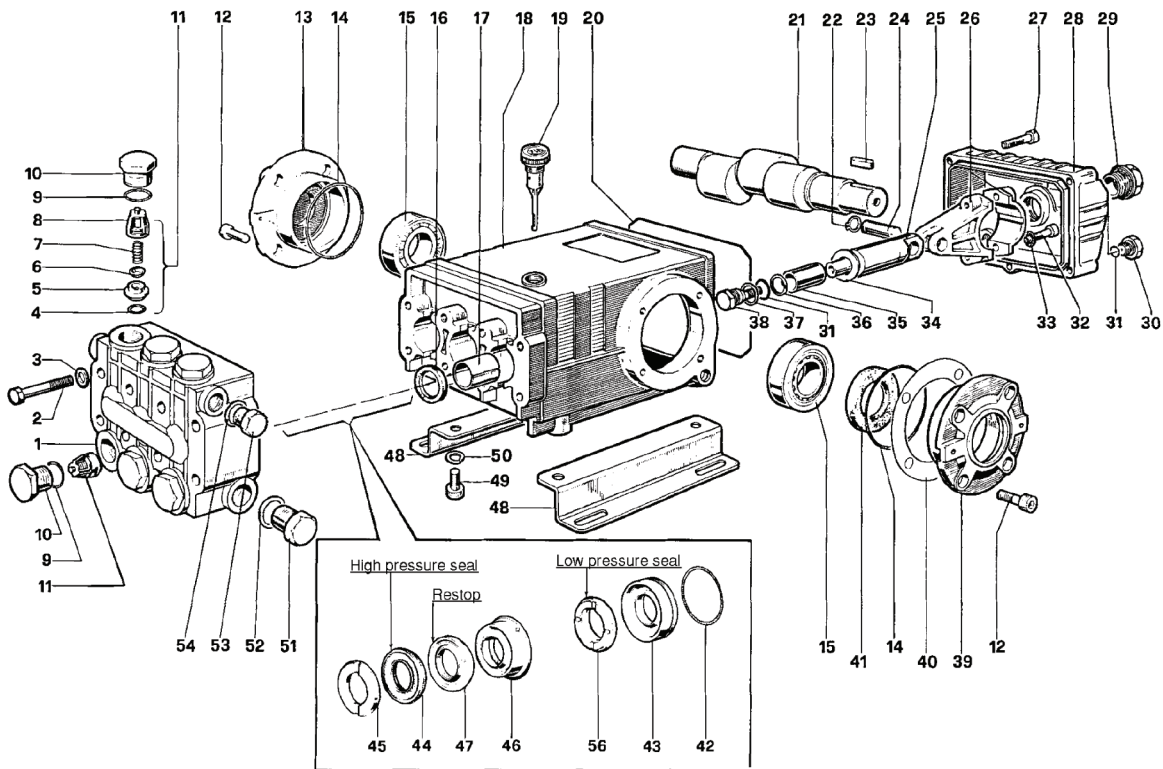
REP	REFERENCE	DESCRIPTION
1	MOTEUR HONDA GX390	
2	P TS 1511	POMPE TS1511
3	P 60.0006.90	VANNE BY-PASS
4	47200074	RAIL POMPE
5	RCIN03753	RACCORD M22M – 3/8F
6	TBBP85202078	TUYAU BY-PASS
7	57760	Y ENTREE EAU DE VILLE
8	85600081	CHASSIS INOX
9	RTRT85660036	ROUE
10	KTRI85400114	DECELERATEUR



ENSEMBLE Courroies et poulies



REP	REFERENCE	DESCRIPTION
1	MTCG47003040	COURROIE
2	85603015	ACCOUPLLEMENT 1 POUCE
3	85603013	POULIE 4 POUCES
4	85602022	POULIE 9 POUCES
5	KTRI85603014	ACCOUPLLEMENT 24 MM



PARTS LIST

ITEM	PART NO.	DESCRIPTION	KIT NO.	QTY.	ITEM	PART NO.	DESCRIPTION	KIT NO.	QTY.	ITEM	PART NO.	DESCRIPTION	KIT NO.	QTY.
1.	47121741	Manifold		1	19.	98210600	Oil Dip Stick		1	37.	96728000	Washer	6	3
2.	99320600	Screw, M8 x 70		8	20.	90392200	O-ring, Cover		1	38.	47219566	Screw, Plunger	6	3
3.	96702000	Washer, M8.4		8	21.	47021735	Crankshaft, TSS1021		1	39.	47150022	Cover, Crankcase		3
4.	701115	O-ring, .674 x .10	1	8		47021835	Crankshaft, TSS1511		1	40..	97567800	Shim		2
5.	36200366	Seat, Valve	1	6	22.	90055700	Ring, Snap		6	41.	90164800	Seal, Oil	3	1
6.	36200176	Plate, Valve	1	6	23.	91489000	Key		1	42.	90361600	O-ring, 1.364x.070	10,28	3
7.	94737600	Spring	1	6	24.	97738000	Pin, Wrist		3	43.	47080570	Retainer, Packing	10,28	3
8.	36200251	Guide, Valve	1	6	25.	47050554	Guide, Plunger		3	44.	90270500	Packing	28,69	3
9.	701002	O-ring, .797x.103	4,5	6	26.	47030001	Connecting Rod		3	45.	47100051	Ring, Head, M20	7,28	3
10.	98222800	Cap	4	6	27.	99191200	Screw, M6x30		5	46..	47216970	Intermed. Ring	28, 71	3
11.	36703201	Valve Assembly	1	6	28.	47160122	Cover, Crankcase		1	47.	90270400	Restop Ring	28,69,71	3
12.	99303900	Screw, M8 x 16		8	29.	97596800	Oil Indicator		1	48.	47200074	Pump Feet		2
13.	47150122	Cover, Crankcase Side		1	30.	98204100	Cap		1	49.	99364400	Screw, M10 x 18		4
14.	701147	O-ring, 2.675x.103		2	31.	701013	O-ring, .426x.070	6	4	50.	96710600	Washer, M10.2		4
15.	640047	Bearing, Roller		2	32.	99309900	Screw, M8 x 35		6	51.	98217600	Cap		1
16.	90162500	Seal, Oil	2	3	33.	96701400	Washer, M8.4		6	52.	96751400	Washer, M21.5		1
17.	90912600	Bushing		3	34..	96728600	Washer, M14		6	53.	98210000	Cap		1
18.	47010522	Crankcase		1	35.	47040409	Plunger, 20 mm		3	54.	96738000	Washer, M17.5		1
					36.	660067	Ring, Back-up		6	56.	90271000	Seal, Low Press, 20 mm	28, 69	3

REPAIR KITS

KIT NO.	K01	K02	K03	K04F	K06	K07	K10	K28	K69	K71
ITEM NO's INCLUDED IN KIT	4,5,6 7,8 (11)	16	41	9, 10	31,34,36 37,38	45	42, 43	42, 43 44, 45 46,47,56	44, 47 56	46, 47
NUMBER OF ASSEMBLIES IN KIT	6	3	2	6	3	6	3	1	3	3
NUMBER OF CYLINDERS KIT WILL SERVICE	3	3	-	3	3	3	3	1	3	3

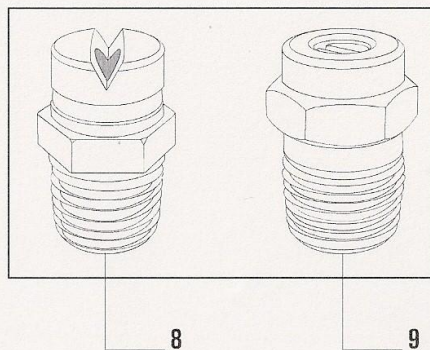
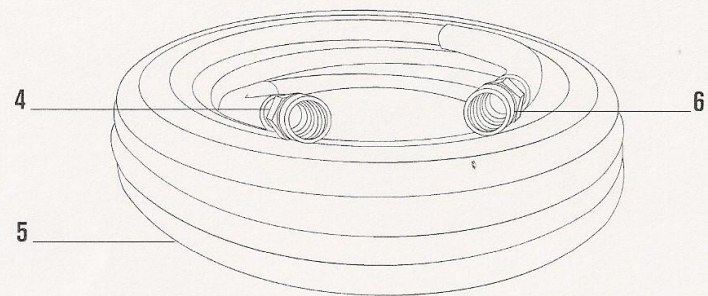
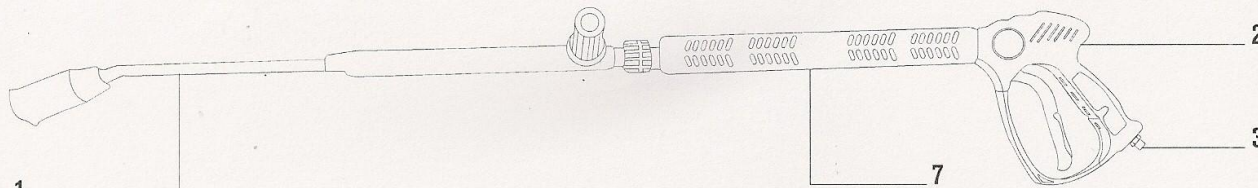
TORQUE SPECS*

Pos.	Ft/lb	N-M
2	22.1	30
10	95.9	130
12	14.7	20
27	7.3	10
29	13.2	18
30	14.7	20
32	14.7	20
38	14.7	20
49	29.4	40
51	29.4	40

* Decrease torque by 20% if threads are lubricated



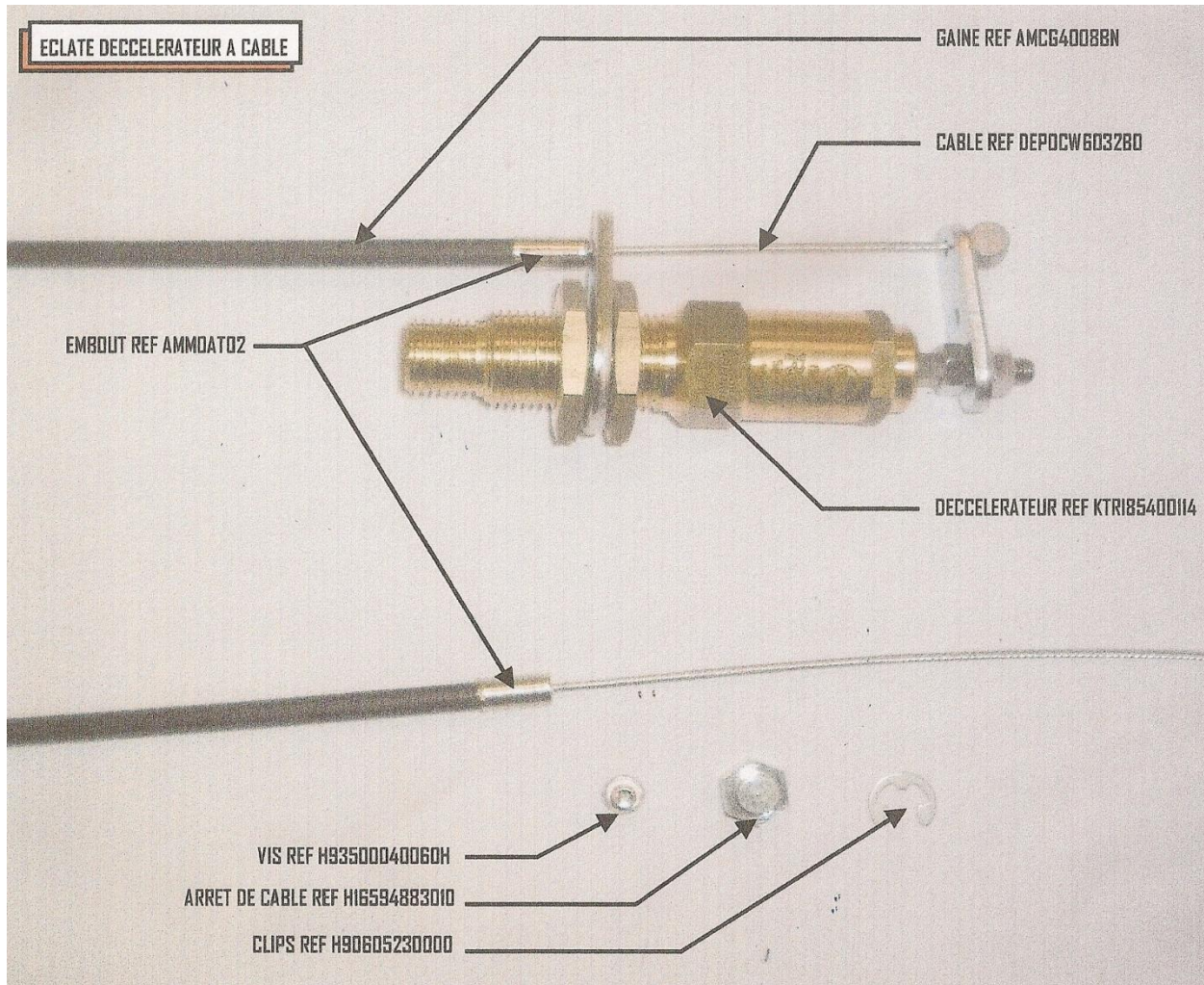
DESCRIPTION ACCESSOIRES



REP	REFERENCE	DESCRIPTION
1	LCPR12983	DOUBLE LANCE 70 CM
2/7/ 3	IPPR40002	
4	RCIN03758	RACCORD M22F - 3/8F
5	TBAP16656	FLEXIBLE HP 15 MTS
6	RCIN03758	RACCORD M22F - 3/8F
8	UGLN05174	BUSE BP
9	UGLN02287	BUSE 040 - 25°



VUE ECLATEE DECELERATEUR





ICA

MOTEUR HONDA GX390



DESCRIPTION	REFERENCE
FILTRE A AIR	H17210ZE3505
BOUGIE	H98079568460
LANCEUR	H28400ZE3W01