

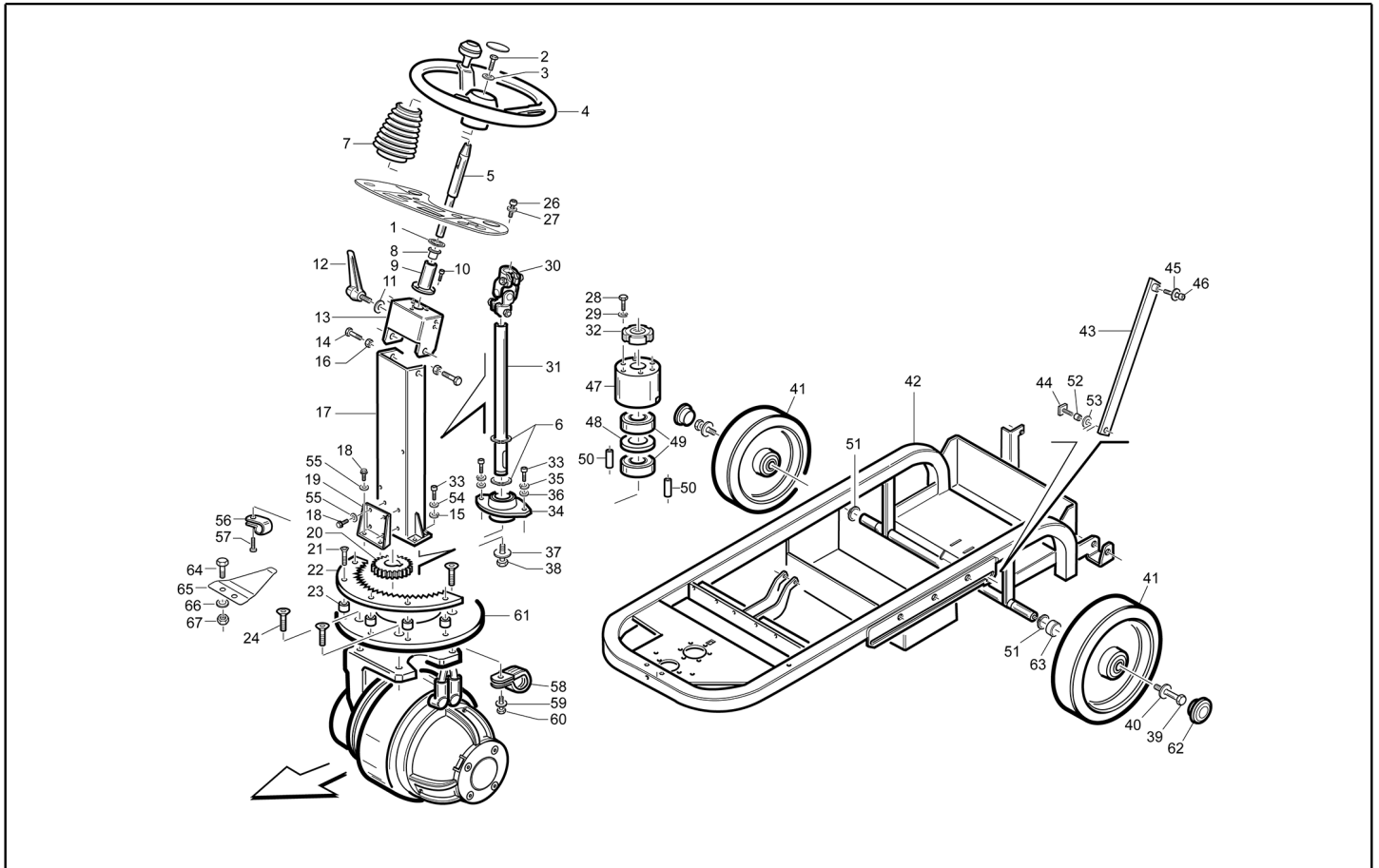


**IPC**

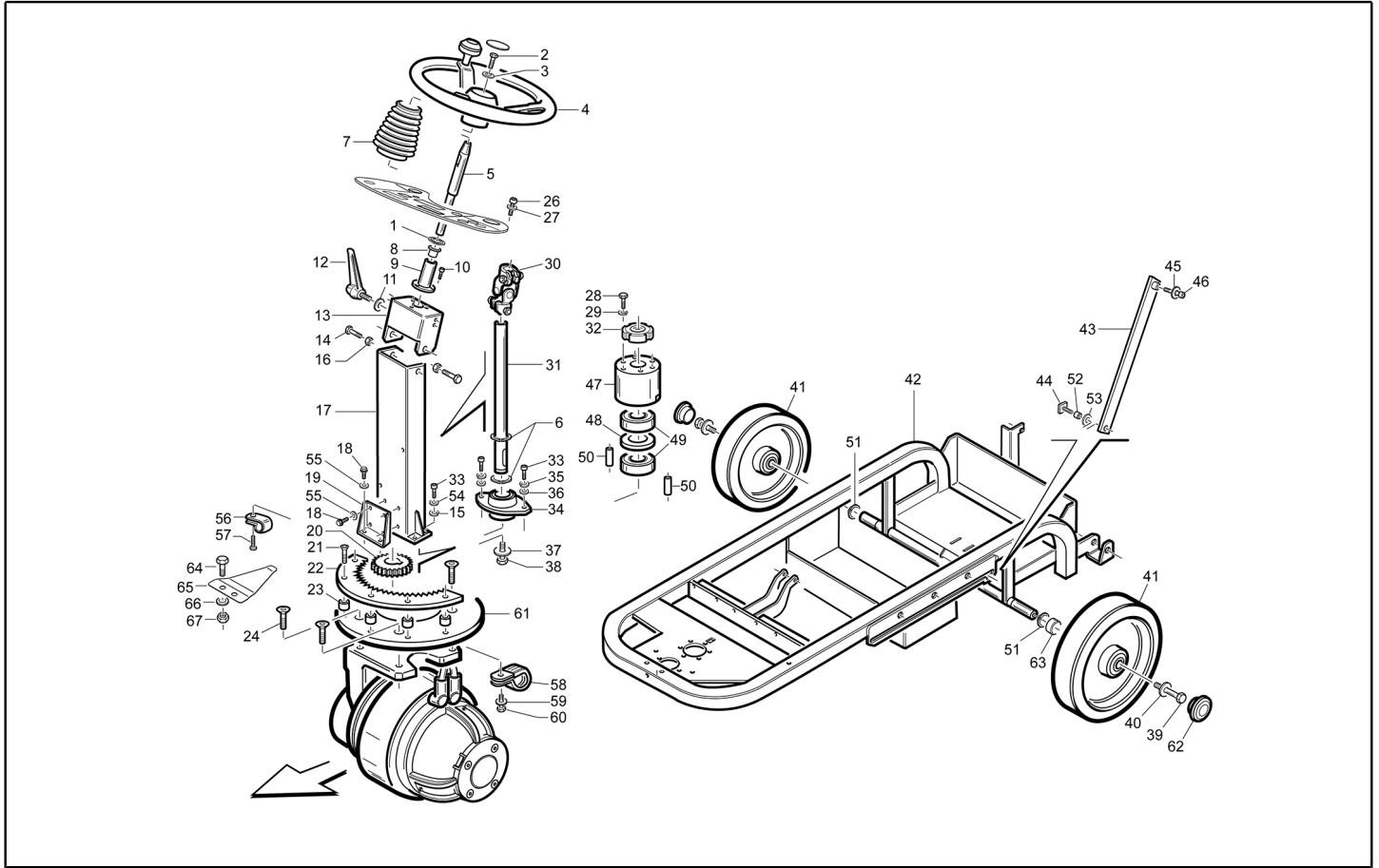
## **Spare Parts List**

Ref: LPTB02791

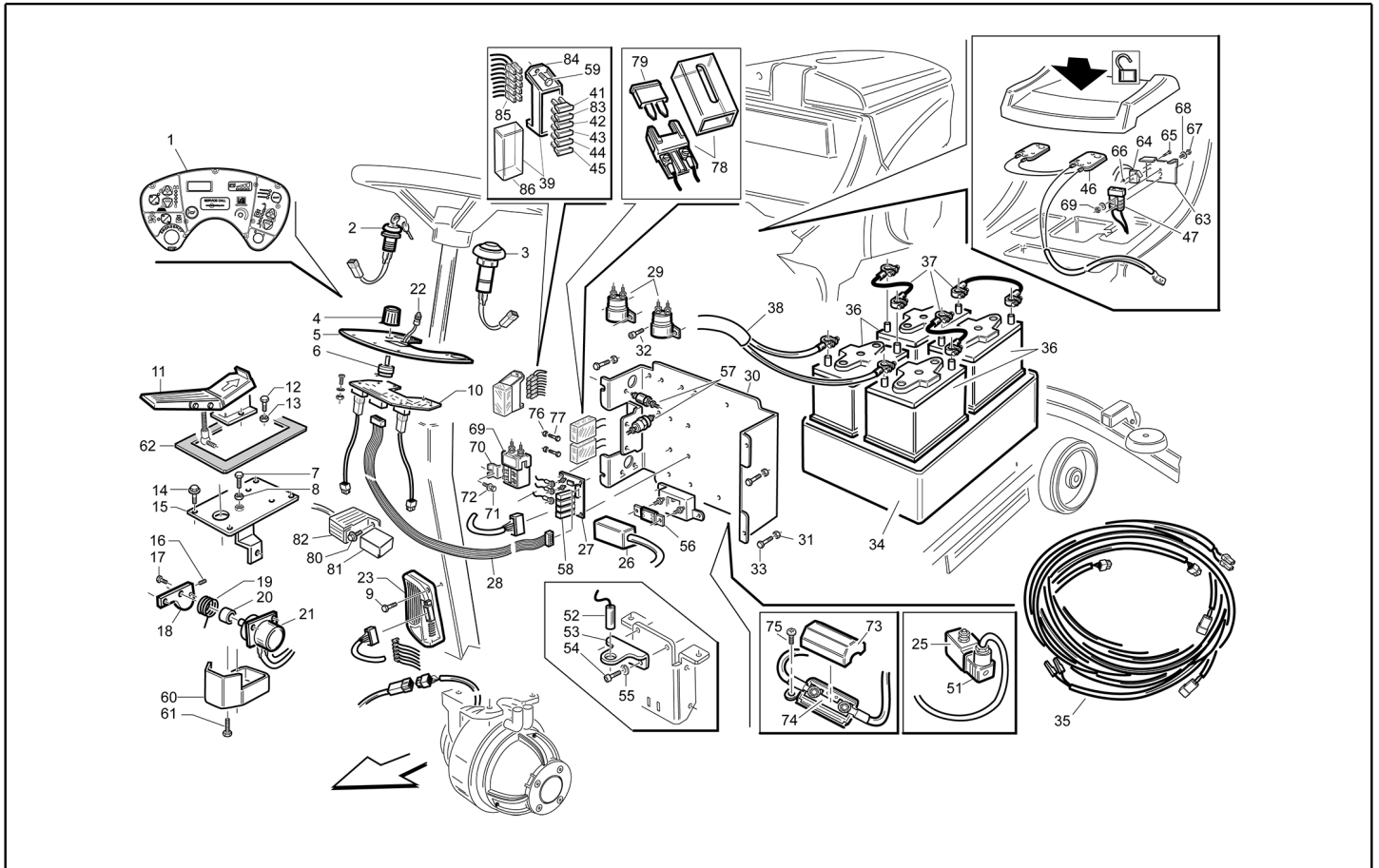
Model: LAVEUSE P.SOLS CT110 BT85



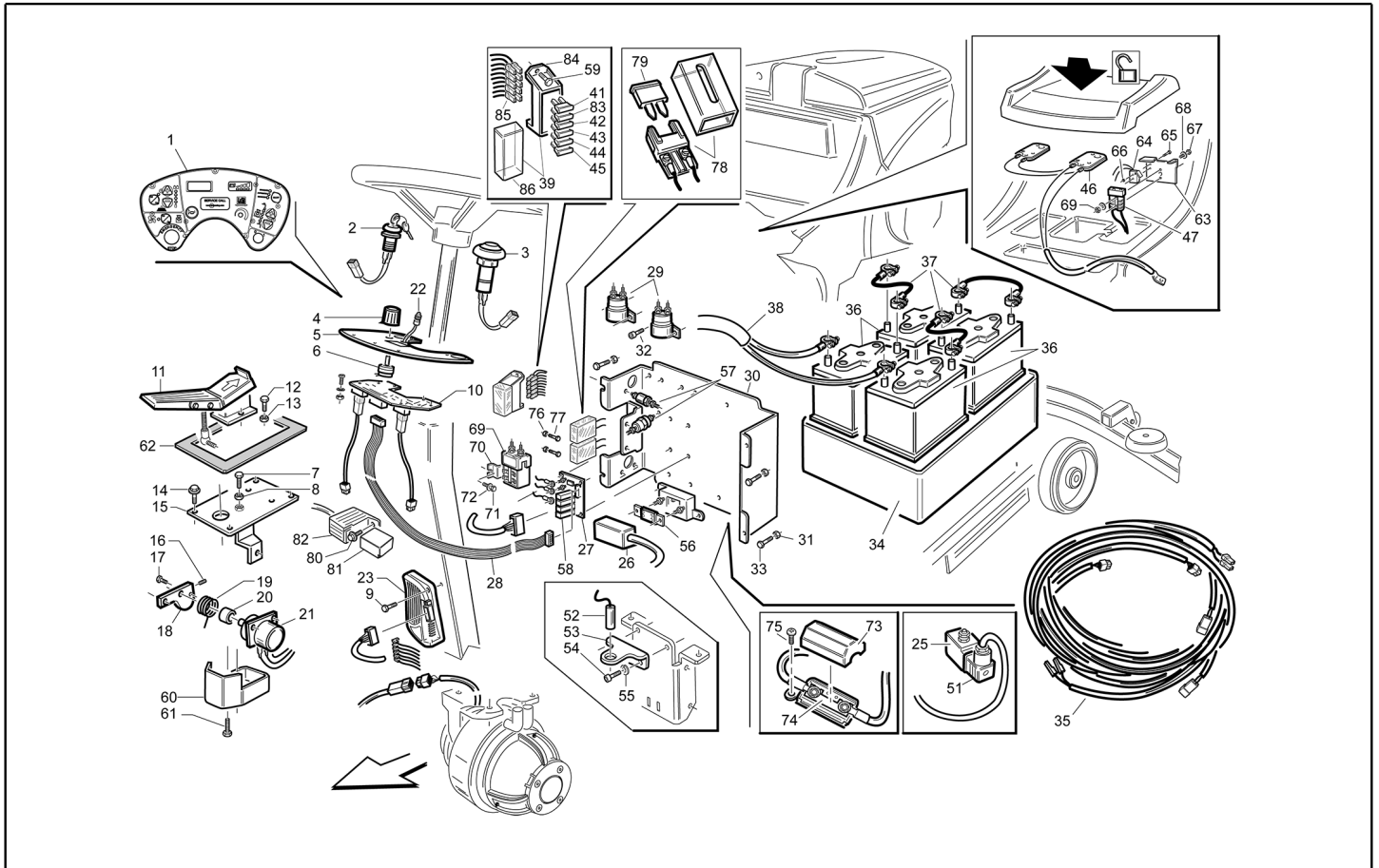
| Ref. K | Part N.   | Customer Part N. | Description                        | Quantity | Validity   |            | Price |
|--------|-----------|------------------|------------------------------------|----------|------------|------------|-------|
|        |           |                  |                                    |          | From       | To         |       |
| 0001   | VTAE17003 | 1105405          | BAGUE D'ARRET ESTERNO DIN 471 D.15 | 2,00     |            |            | --    |
| 0002   | VTVT00457 | 05269            | VIS TE M 10X30 ZINC. UNI 5739      | 1,00     |            |            | --    |
| 0003   | VTRS44254 | 1105329          | RONDELLE UNI 6593 10X40X2,5 ZB     | 1,00     |            |            | --    |
| 0004   | MPVR47027 | 13201001         | VOLANT D. 320 L.14                 | 1,00     |            |            | --    |
| 0005   | ALTR00031 | 21001026         | ARBRE PER VOLANTE TK 1050 ZINC.    | 1,00     |            |            | --    |
| 0006   | VTAE00032 | RB0060540        | SEEGER 20                          | 2,00     |            |            | --    |
| 0007   | MPVR05237 |                  | PROTECTION -                       | 1,00     |            |            | --    |
| 0008   | LAFN75841 | 21101002         | DOUILLE TK 1000                    | 2,00     |            |            | --    |
| 0009   | LAFN00149 | 21101088         | DOUILLE PORTA PIANTONE TK1050 ZIN  | 1,00     |            |            | --    |
| 0010   | VTVT62920 | 1105162          | VIS TE FR 6X16 ZB ZIGRINATE        | 3,00     |            | 26/03/2017 | --    |
| 0010   | VTVT09913 | 1105507          | VIS TCCE UNI 5931 6X16 ZB          | 3,00     | 27/03/2017 |            | --    |
| 0011   | VTRS13946 | SL06025          | RONDELLE D. 8 X24 INX UNI 6593     | 1,00     |            |            | --    |
| 0012   | MPVR05250 |                  | POIGNEE M8X25                      | 1,00     |            |            | --    |
| 0013   | KTRI02058 |                  | KIT REGOLAZIONE STERZO CT110       | 1,00     |            |            | --    |
| 0014   | VTVT13936 | SL04412          | VIS TE M 10X 20                    | 2,00     |            |            | --    |
| 0015   | VTRS13947 | 75373            | RONDELLE D. 8 INX UNI 6592         | 4,00     |            |            | --    |
| 0016   | VTDD00493 | 75288            | ECROU M10 TEF                      | 2,00     |            |            | --    |
| 0017   | LAFN06362 |                  | TUBE DE DIRECT. CT110              | 1,00     |            |            | --    |
| 0018   | VTVT15143 | SL04135          | VIS TE 6X16 UNI5739                | 6,00     |            | 22/03/2010 | --    |
| 0018   | VTVT13939 | 11051239         | VIS TE 6X20 UNI5739 INX            | 6,00     | 23/03/2010 |            | --    |
| 0019   | LAFN06508 |                  | BRIDE PIANTONE                     | 1,00     |            |            | --    |
| 0020   | LAFN06377 |                  | PIGNON STERZO                      | 1,00     |            |            | --    |
| 0021   | VTVT00062 | 1105504          | VIS TSCE UNI 5933 6X25 ZB          | 5,00     |            |            | --    |
| 0022   | LAFN06373 |                  | FREIN CT110                        | 1,00     |            |            | --    |
| 0023   | LAFN06844 |                  | ENTRETOISE CORONA                  | 5,00     |            |            | --    |
| 0024   | VTVT00263 | 75091            | VIS TSPEI M10x30                   | 4,00     |            |            | --    |
| 0026   | VTVT37012 | SL04289          | VIS M 4X 10 TCB-TC INX             | 5,00     |            |            | --    |
| 0027   | VTRS00515 | SL06032          | RONDELLE D. 4 INX                  | 5,00     |            |            | --    |
| 0028   | VTVT00410 | SL04127          | VIS TE M8x35 UNI5739 INOX          | 5,00     |            |            | --    |
| 0029   | VTRS15146 | 05519            | RONDELLE D. 8 INX GRW UNI 1751     | 5,00     |            |            | --    |
| 0030   | VTVR00057 | 1255008          | JOINT A ROTULES CARDANICO          | 1,00     |            |            | --    |
| 0031   | LAFN06374 |                  | ARBRE STERZO                       | 1,00     |            |            | --    |
| 0032   | VTVR75747 | 1165009          | FRETTE AUTOBLOK M35X1,5 GUK        | 1,00     |            |            | --    |
| 0033   | VTVT13938 | 75362            | VIS TE 8X20 UNI5739 INX            | 4,00     |            |            | --    |
| 0034   | CUVR00105 | SL12031          | SUPPORT                            | 1,00     |            |            | --    |
| 0035   | VTRS15146 | 05519            | RONDELLE D. 8 INX GRW UNI 1751     | 2,00     |            |            | --    |
| 0036   | VTRS13947 | 75373            | RONDELLE D. 8 INX UNI 6592         | 2,00     |            |            | --    |
| 0037   | VTRS16937 | 11051241         | RONDELLE 6x24 INOX UNI 6593        | 1,00     |            |            | --    |
| 0038   | VTVT15143 | SL04135          | VIS TE 6X16 UNI5739                | 1,00     |            |            | --    |
| 0039   | VTVT13936 | SL04412          | VIS TE M 10X 20                    | 2,00     |            | 08/05/2011 | --    |
| 0039   | VTVT03640 | SL04132          | VIS TE 10X25 UNI5740               | 2,00     | 09/05/2011 |            | --    |
| 0040   | LAFN04144 | SL07636          | RONDELLE RUOTE POSTERIORI          | 2,00     |            |            | --    |
| 0041   | RTRT00507 |                  | ROUE D.300 H=70                    | 2,00     |            | 08/05/2011 | --    |
| 0041   | RTRT00539 |                  | ROUE REAR PU D.300 CT110           | 2,00     | 09/05/2011 |            | --    |



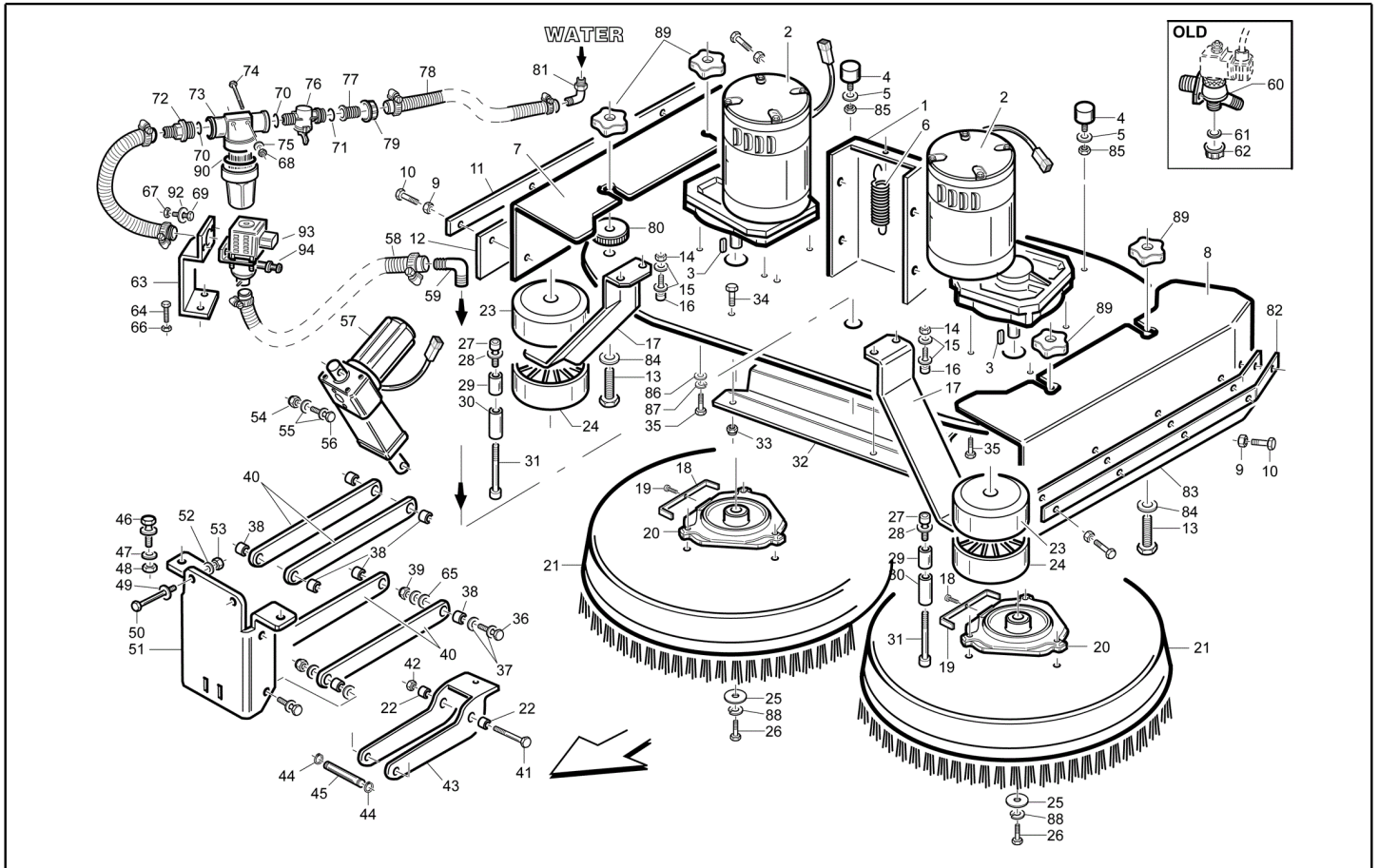
| Ref. K | Part N.   | Customer Part N. | Description                    | Quantity | Validity   |            | Price |
|--------|-----------|------------------|--------------------------------|----------|------------|------------|-------|
|        |           |                  |                                |          | From       | To         |       |
| 0042   | LAFN06360 |                  | CHASSIS CT110                  | 1,00     |            |            | --    |
| 0043   | LAFN06427 |                  | LEVIER CT110                   | 1,00     |            |            | --    |
| 0044   | LAFN04147 | SL07638          | VIS ASTA SERBATOIO P185        | 1,00     |            | 07/11/2010 | --    |
| 0044   | VTVT15916 | SL04203          | VIS TE M 8X 16 UNI 5739 A2     | 1,00     | 08/11/2010 |            | --    |
| 0045   | VTRS00502 | 05117            | RONDELLE D. 5 0.466 UNI 6592   | 1,00     |            |            | --    |
| 0046   | VTVT00005 | 1105023          | VIS TE FR 5X12 ZB              | 1,00     |            |            | --    |
| 0047   | LAFN06522 |                  | PLAQUETTE CT110                | 1,00     |            |            | --    |
| 0048   | LAFN06523 |                  | ENTRETOISE Ø48 X Ø36,5 X 20    | 1,00     |            |            | --    |
| 0049   | CUVR00120 | SL12060          | ROULEMENT 6007-2RS1            | 2,00     |            |            | --    |
| 0050   | LAFN06387 |                  | DOUILLE STERZO                 | 2,00     |            |            | --    |
| 0051   | VTAE00018 | 05390            | SEEGER E25x1,2 DIN471          | 2,00     |            |            | --    |
| 0052   | LAFN04148 | SL07639          | DOUILLE ASTA SERBATOIO P185    | 1,00     |            |            | --    |
| 0053   | VTRS00506 | 05126            | RONDELLE D.12 UNI 6592         | 1,00     |            | 07/11/2010 | --    |
| 0053   | VTRS13946 | SL06025          | RONDELLE D. 8 X24 INX UNI 6593 | 1,00     | 08/11/2010 |            | --    |
| 0054   | VTRS13947 | 75373            | RONDELLE D. 8 INX UNI 6592     | 4,00     |            |            | --    |
| 0055   | VTRS00245 | SL06022          | RONDELLE D.6 UNI 6592 INOX     | 6,00     |            |            | --    |
| 0056   | MPVR02933 | SL14146          | FIXE-TUYAU D.9,5               | 2,00     |            |            | --    |
| 0057   | VTVT37012 | SL04289          | VIS M 4X 10 TCB-TC INX         | 2,00     |            |            | --    |
| 0058   | FSVR00043 | 70985            | COLLIER d.16                   | 1,00     |            |            | --    |
| 0059   | VTRS15144 | 11051232         | RONDELLE D. 6 INX GRW UNI 1751 | 1,00     |            |            | --    |
| 0060   | VTVT15906 | SL04180          | VIS TE 6X 12 A2 UNI 5739       | 1,00     |            |            | --    |
| 0061   | LAFN06364 |                  | PLAT STERZO                    | 1,00     |            |            | --    |
| 0062   | MPVR05951 |                  | BOUCHON G48 FOR WHEEL          | 2,00     | 09/05/2011 |            | --    |
| 0063   | LAFN08995 |                  | BRAS PORTARUOTA TERGI P185     | 2,00     | 09/05/2011 |            | --    |
| 0064   | VTVT15917 | SL04143          | VIS TE M 8X50 INOX A2 UNI      | 1,00     | 27/06/2016 |            | --    |
| 0065   | LAFN11085 |                  | PROTECTION -                   | 1,00     | 27/06/2016 |            | --    |
| 0066   | VTRS13947 | 75373            | RONDELLE D. 8 INX UNI 6592     | 1,00     | 27/06/2016 |            | --    |
| 0067   | VTDD01695 | SL05039          | ECROU M 8 INX                  | 1,00     | 27/06/2016 |            | --    |



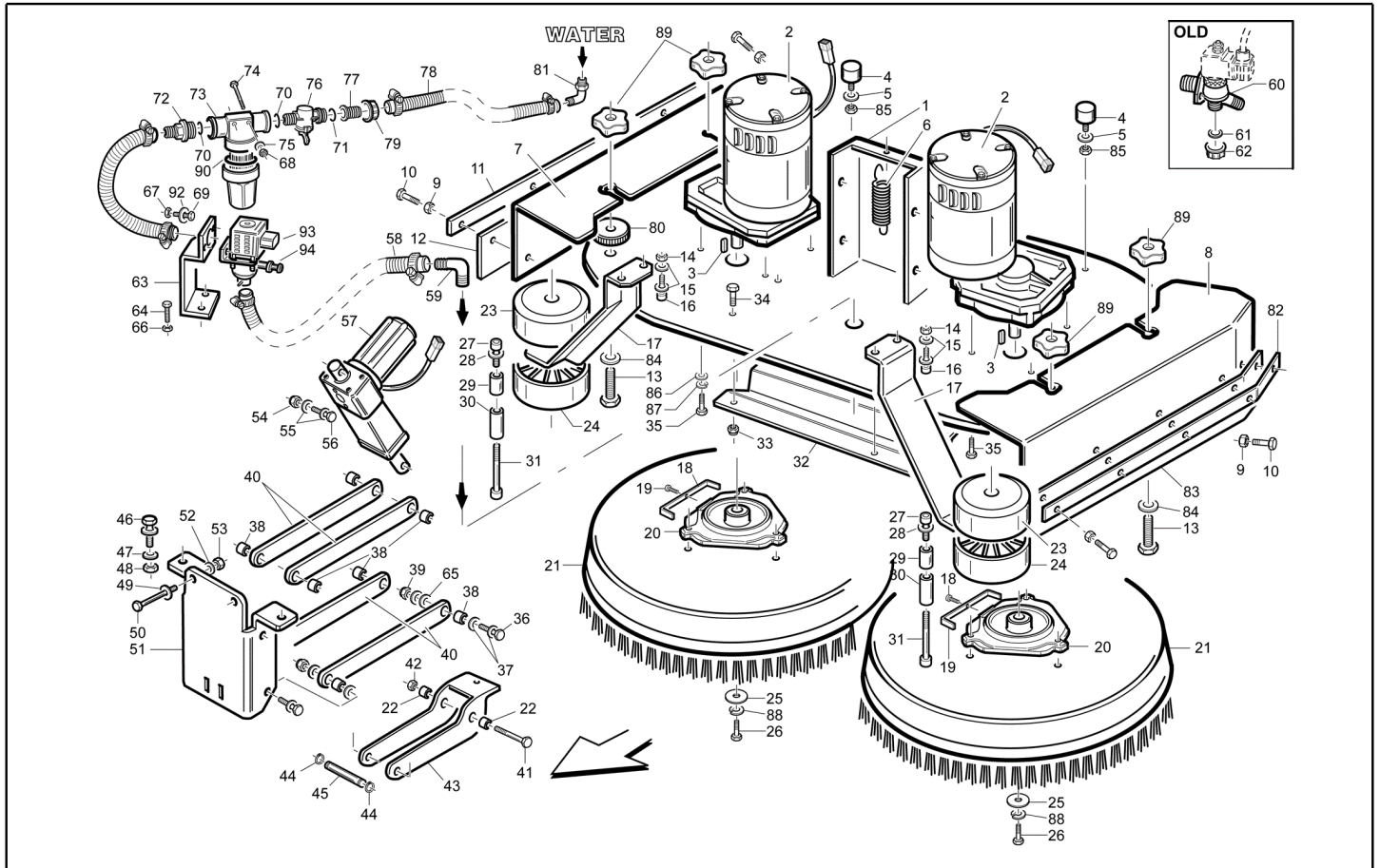
| Ref. K | Part N.   | Customer Part N. | Description                    | Quantity | Validity   |            | Price |
|--------|-----------|------------------|--------------------------------|----------|------------|------------|-------|
|        |           |                  |                                |          | From       | To         |       |
| 0001   | ETET01485 |                  | ETICHETTE -                    | 1,00     |            |            | --    |
| 0002   | MECI75805 | 13801001         | INTERRUPTEUR TK                | 1,00     |            |            | --    |
| 0003   | MECI00028 | 13801009A        | BOUON DI EMERGENZA TK1400 24V  | 1,00     |            |            | --    |
| 0004   | KTRI01935 |                  | KIT 1050-1202                  | 1,00     |            |            | --    |
| 0005   | LAFN06408 |                  | PLAQUE -                       | 1,00     |            |            | --    |
| 0006   | MEVR01941 |                  | POTENTIOMETRE 100K             | 1,00     |            |            | --    |
| 0007   | VTVT13937 | 11051230         | VIS TE M 8X 30 INX UNI 5739    | 1,00     |            |            | --    |
| 0008   | VTDD01696 |                  | ECROU M 8 INX                  | 1,00     |            |            | --    |
| 0009   | VTVT00727 | SL04189          | VIS TE M. 4-20                 | 2,00     |            |            | --    |
| 0010   | MECE00451 |                  | FICHE CONTROL PANEL CT110      | 1,00     |            |            | --    |
| 0011   | LAFN06429 |                  | PEDALE CT110                   | 1,00     |            |            | --    |
| 0012   | VTVT15143 | SL04135          | VIS TE 6X16 UNI5739            | 2,00     |            |            | --    |
| 0013   | VTDD15518 | 75375            | ECROU M 6 INX                  | 2,00     |            |            | --    |
| 0014   | VTVT00005 | 1105023          | VIS TE FR 5X12 ZB              | 4,00     |            |            | --    |
| 0015   | LAFN06521 |                  | SUPPORT ACCELERATORE           | 1,00     |            |            | --    |
| 0016   | VTVT00911 | SL11054          | VIS SANS TETE M4X8             | 1,00     |            |            | --    |
| 0017   | VTVT00727 | SL04189          | VIS TE M. 4-20                 | 2,00     |            |            | --    |
| 0018   | LAFN06371 |                  | BIELLE POTENZIOMETRO           | 1,00     |            |            | --    |
| 0019   | MLML00301 |                  | RESSORT ACCELERATORE           | 1,00     |            | 20/04/2010 | --    |
| 0019   | MLML00327 |                  | RESSORT -                      | 1,00     | 21/04/2010 |            | --    |
| 0020   | MPVR05236 |                  | DOUILLE -                      | 1,00     |            | 20/04/2010 | --    |
| 0020   | MPVR05786 |                  | DOUILLE                        | 1,00     | 21/04/2010 |            | --    |
| 0021   | MEVR01700 |                  | POTENTIOMETRE 0-5K             | 1,00     |            |            | --    |
| 0022   | MEVR02058 |                  | LED -                          | 1,00     |            |            | --    |
| 0023   | MECE00450 |                  | FICHE TRACTION CURTIS CT110    | 1,00     |            |            | --    |
| 0025   | MEEV00018 | SL18414          | SOUPAPE ELECTR.                | 1,00     |            | 06/10/2011 | --    |
| 0025   | MEEV00044 |                  | SOUPAPE ELECTR.                | 1,00     | 07/10/2011 |            | --    |
| 0026   | MEVR00146 | 1380151          | PORTE-FUSIBLES MEGA            | 1,00     |            |            | --    |
| 0027   | MECE00452 |                  | FICHE ACTUATORS CONTROL CT110  | 1,00     |            | 21/04/2017 | --    |
| 0027   | MECE00575 |                  | FICHE MOS CT110                | 1,00     | 22/04/2017 |            | --    |
| 0028   | MECB01021 |                  | CABLE FLAT                     | 1,00     |            | 09/10/2008 | --    |
| 0028   | MECB01099 |                  | CABLE FLAT                     | 1,00     | 10/10/2008 |            | --    |
| 0029   | METT45116 | 1380085          | TELERUPTEUR 24V T106 P         | 3,00     |            | 20/05/2009 | --    |
| 0029   | METT45116 | 1380085          | TELERUPTEUR 24V T106 P         | 2,00     | 21/05/2009 |            | --    |
| 0030   | LAFN06503 |                  | PLAQUE ELETTRONICA             | 1,00     |            |            | --    |
| 0032   | VTVT00005 | 1105023          | VIS TE FR 5X12 ZB              | 8,00     |            |            | --    |
| 0033   | VTVT00005 | 1105023          | VIS TE FR 5X12 ZB              | 4,00     |            |            | --    |
| 0034   | MPVR05217 |                  | CONTENEUR BATTERIA             | 1,00     |            |            | --    |
| 0035   | MECB01015 |                  | CABLAGE CT110                  | 1,00     |            |            | --    |
| 0036   | BAAC00005 | 1180015          | BATTERIE 6 V 180 AH (C5)       | 4,00     |            |            | --    |
| 0036   | BAAC00074 | AL03318          | BATTERIE ACID 6V 180Ah TUBOLAR | 4,00     |            |            | --    |
| 0037   | MEVR34820 | SL23838          | CABLAGE B 450 BT               | 3,00     |            |            | --    |
| 0038   | MECB01015 |                  | CABLAGE CT110                  | 1,00     |            |            | --    |
| 0039   | KTRI02222 |                  | KIT CT110                      | 1,00     |            |            | --    |



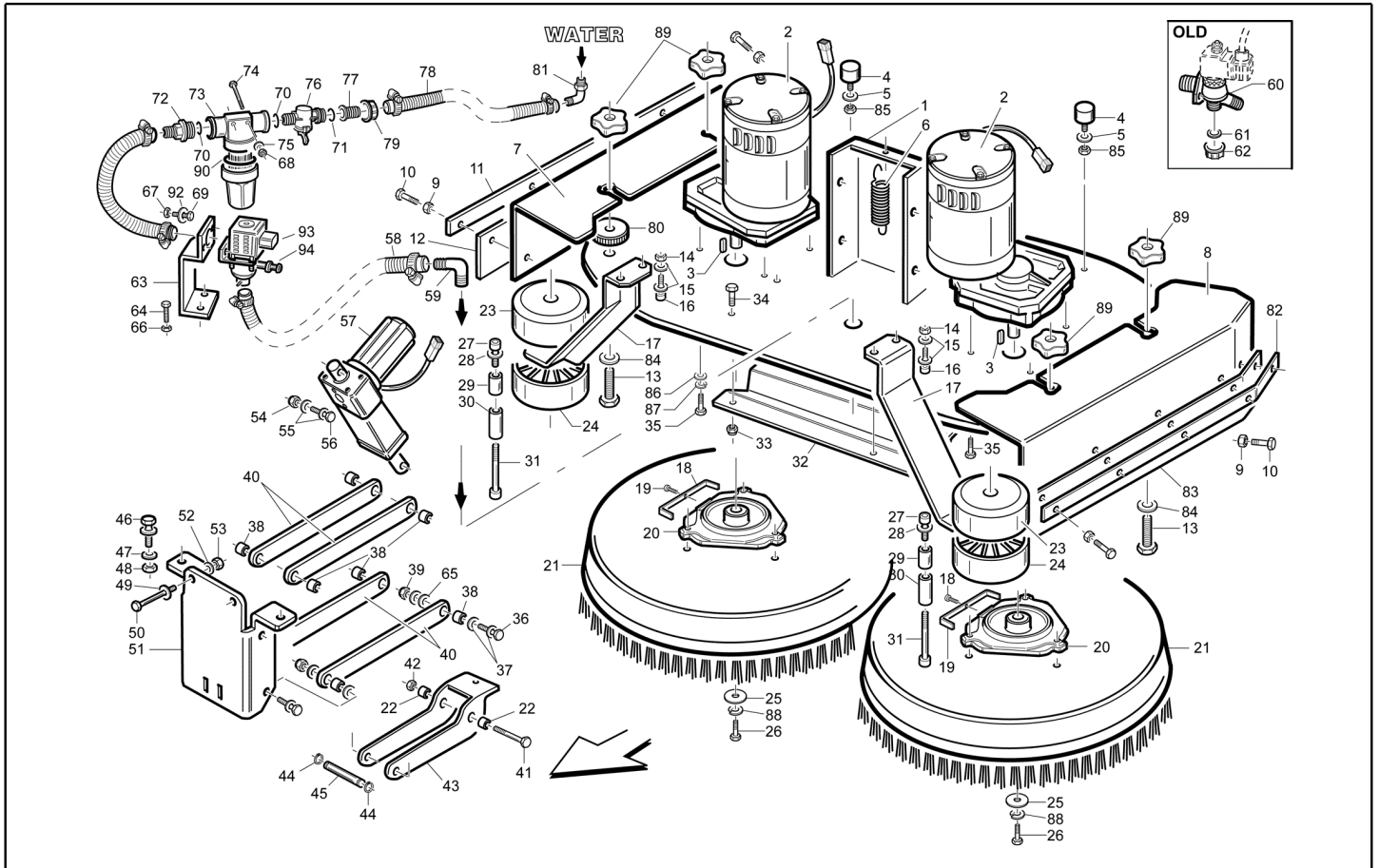
| Ref. K | Part N.   | Customer Part N. | Description                       | Quantity | Validity   |            | Price |
|--------|-----------|------------------|-----------------------------------|----------|------------|------------|-------|
|        |           |                  |                                   |          | From       | To         |       |
| 0040   | MEVR01136 | SL23148          | FUSIBLE 30A                       | 1,00     |            | 09/10/2011 | --    |
| 0041   | MEVR01136 | SL23148          | FUSIBLE 30A                       | 1,00     |            | 09/10/2011 | --    |
| 0041   | MEVR01428 | SL53040          | FUSIBLE A LAMA 2 A. UNIVAL        | 1,00     | 10/10/2011 |            | --    |
| 0042   | MEVR00327 | 06907            | FUSIBLE 25A                       | 1,00     |            |            | --    |
| 0043   | MEVR00584 | 70237            | FUSIBLE 3A                        | 1,00     |            |            | --    |
| 0044   | MEVR00584 | 70237            | FUSIBLE 3A                        | 1,00     |            |            | --    |
| 0045   | MEVR00584 | 70237            | FUSIBLE 3A                        | 1,00     |            |            | --    |
| 0046   | MEVR00148 | 1180066          | INTERRUPTEUR SEAT SENSOR          | 1,00     |            |            | --    |
| 0047   | MEVR01079 | SL23010K         | GOUPILLE M CB50 A 600V RD.        | 1,00     |            |            | --    |
| 0051   | MECB01015 |                  | CABLAGE CT110                     | 1,00     |            |            | --    |
| 0052   | MECI00405 |                  | CAPTEUR STEERING SPEED REDUCTION  | 1,00     |            |            | --    |
| 0053   | LAFN06386 |                  | SUPPORT -                         | 1,00     |            |            | --    |
| 0054   | VTVT15143 | SL04135          | VIS TE 6X16 UNI5739               | 2,00     |            |            | --    |
| 0055   | VTRS15144 | 11051232         | RONDELLE D. 6 INX GRW UNI 1751    | 2,00     |            |            | --    |
| 0056   | MEVR00145 | 1380150          | FUSIBLE 100A                      | 1,00     |            |            | --    |
| 0057   | MEVR47082 | 1380091          | ISOLANT M6 35-CH32                | 1,00     |            |            | --    |
| 0058   | MECE00456 |                  | RELAIS CT110                      | 4,00     |            |            | --    |
| 0059   | VTVT00005 | 1105023          | VIS TE FR 5X12 ZB                 | 2,00     |            |            | --    |
| 0060   | MPVR05235 |                  | COUVERTURE -                      | 1,00     |            |            | --    |
| 0061   | VTVT00005 | 1105023          | VIS TE FR 5X12 ZB                 | 2,00     |            |            | --    |
| 0062   | GUVR00292 |                  | JOINT CT110                       | 1,00     |            |            | --    |
| 0063   | LAFN07362 |                  | PLAQUE ANDERSON                   | 1,00     |            |            | --    |
| 0064   | MECI00334 | SL53031-L        | MICROINTERRUPT. V4                | 1,00     |            |            | --    |
| 0065   | VTVT00671 | SL04086          | VIS TC- M.2-16 OTTONE             | 1,00     |            |            | --    |
| 0066   | VTDD08634 | SL05031          | ECROU M2                          | 2,00     |            |            | --    |
| 0067   | VTVT01350 |                  | VIS M3-20 INOX                    | 2,00     |            |            | --    |
| 0068   | VTRS21116 | SL06009          | RONDELLE D. 3 INX                 | 2,00     |            |            | --    |
| 0069   | MECI00532 |                  | TELERUPTEUR 24V-100A              | 1,00     | 21/05/2009 |            | --    |
| 0070   | LAFN07743 |                  | BRIDE -                           | 1,00     | 21/05/2009 |            | --    |
| 0071   | VTVT01669 |                  |                                   | 2,00     | 21/05/2009 |            | --    |
| 0072   | VTRS00501 | 05109            | RONDELLE D. 4 0.232 UNI 6592      | 2,00     | 21/05/2009 |            | --    |
| 0073   | MEVR31036 |                  | PORTE-FUSIBLES                    | 1,00     |            |            | --    |
| 0074   | MEVR02042 |                  | FUSIBLE 30A NST.                  | 1,00     |            |            | --    |
| 0075   | VTVT00079 | 1105756          | VIS AUTOF.TC UNI6954 3,9X22       | 1,00     |            |            | --    |
| 0076   | VTDD01693 | SL05087          | ECROU M 5 INX                     | 2,00     | 10/10/2011 |            | --    |
| 0077   | VTVT01300 |                  | VIS TE M5X12 INOX                 | 2,00     | 10/10/2011 |            | --    |
| 0078   | MEVR00613 | 70354            | PORTE-FUSIBLES MAXIVAL with cover | 2,00     | 10/10/2011 |            | --    |
| 0079   | MEVR02048 |                  | FUSIBLE 40A                       | 2,00     | 10/10/2011 |            | --    |
| 0081   | MECE00456 |                  | RELAIS CT110                      | 1,00     |            |            | --    |
| 0083   | MEVR00344 | 11579            | FUSIBLE 4A                        | 1,00     | 26/02/2015 |            | --    |
| 0084   | MPVR06116 |                  | COUVERCLE -                       | 1,00     | 01/01/2016 |            | --    |
| 0085   | MPVR06118 |                  | BORNE FUSE HOLDER                 | 1,00     | 01/01/2016 |            | --    |
| 0086   | MPVR06117 |                  | COUVERCLE -                       | 1,00     | 01/01/2016 |            | --    |



| Ref. K | Part N.   | Customer Part N. | Description                      | Quantity | Validity   |            | Price |
|--------|-----------|------------------|----------------------------------|----------|------------|------------|-------|
|        |           |                  |                                  |          | From       | To         |       |
| 0001   | LAFN06428 |                  | PLAT 820                         | 1,00     |            |            | --    |
| 0002   | MOCC00143 | MP02251          | MOTEUR MRP6 V24                  | 2,00     |            | 29/06/2008 | --    |
| 0002   | MOCC00330 |                  | MOTEUR -                         | 2,00     | 30/06/2008 |            | --    |
| 0002   | MOCC00344 |                  | BROSSE -                         | 1,00     |            |            | --    |
| 0003   | VTVR16617 |                  | CLAVETTE 6X 6X30 UNI 6604        | 2,00     |            |            | --    |
| 0004   | ABGO00019 | 70103            | AMORTISSEUR 40x30 M8x2845 SH     | 2,00     |            |            | --    |
| 0005   | VTRS15146 | 05519            | RONDELLE D. 8 INX GRW UNI 1751   | 2,00     |            |            | --    |
| 0006   | MLML00241 | SL13146          | RESSORT TESTATA SPAZZOLA P185    | 1,00     |            |            | --    |
| 0007   | LAFN07053 |                  | MARCHEPIED DX TESTATA 820        | 1,00     |            | 10/12/2008 | --    |
| 0007   | LAFN07047 |                  | BRIDE -                          | 1,00     | 11/12/2008 |            | --    |
| 0008   | LAFN07054 |                  | MARCHEPIED SX TESTATA 820        | 1,00     |            | 10/12/2008 | --    |
| 0008   | LAFN07049 |                  | BRIDE -                          | 1,00     | 11/12/2008 |            | --    |
| 0009   | VTDD01694 | SL05074          | ECROU M6 INOX                    | 10,00    |            |            | --    |
| 0010   | VTVT15143 | SL04135          | VIS TE 6X16 UNI5739              | 10,00    |            |            | --    |
| 0011   | LAFN07057 |                  | PLAT FLAP DX TESTATA 820         | 1,00     |            | 10/12/2008 | --    |
| 0011   | LAFN07082 |                  | BRIDE -                          | 1,00     | 11/12/2008 |            | --    |
| 0012   | MPVR05168 |                  | FLAP DX TESTATA 820              | 1,00     |            |            | --    |
| 0013   | VTVT00469 | SL04005          | VIS TE M 12X 60 INX UNI 5739     | 4,00     |            | 31/01/2012 | --    |
| 0013   | VTVT01167 |                  | VIS TCB T 5X30                   | 4,00     | 01/02/2012 |            | --    |
| 0015   | VTRS15146 | 05519            | RONDELLE D. 8 INX GRW UNI 1751   | 4,00     |            |            | --    |
| 0016   | VTVT13938 | 75362            | VIS TE 8X20 UNI5739 INX          | 4,00     |            |            | --    |
| 0017   | LAFN06502 |                  | SUPPORT 820                      | 2,00     |            |            | --    |
| 0018   | VTVT21887 | SL04079          | VIS TCB-TC 4X10 8112             | 2,00     |            |            | --    |
| 0019   | MLML00230 | SL13135          | RESSORT ANTISGANCIO 70 X FLANGIA | 2,00     |            | 06/05/2012 | --    |
| 0019   | MLML00328 |                  | RESSORT -                        | 2,00     | 07/05/2012 |            | --    |
| 0020   | MFVR00212 |                  | DISQUE D'ENTR.                   | 2,00     |            | 06/05/2012 | --    |
| 0020   | LAFN09199 |                  | DISQUE D'ENTR. -                 | 2,00     | 07/05/2012 |            | --    |
| 0021   | SPPV00417 | AL03801          | BROSSE NYLON                     | 2,00     |            | 20/01/2016 | --    |
| 0021   | SPPV01516 |                  | BROSSE APC D. 410 PP 0,65        | 2,00     | 21/01/2016 |            | --    |
| 0022   | LAFN04187 | SL07679          | ENTRETOISE PER RIDUTTORE         | 2,00     |            |            | --    |
| 0023   | RTRT00502 |                  | ROUE ANTIRIBALTAMENTO            | 2,00     |            | 10/04/2008 | --    |
| 0023   | RTRT00510 |                  | ROUE ANTIRIBALTAMENTO            | 2,00     | 11/04/2008 |            | --    |
| 0024   | MPVR02894 | SL07625          | GALET TENDEUR PARACOLPI          | 2,00     |            | 10/04/2008 | --    |
| 0024   | MPVR05295 |                  | ROUE PARACOLPI                   | 2,00     | 11/04/2008 |            | --    |
| 0025   | VTRS13946 | SL06025          | RONDELLE D. 8 X24 INX UNI 6593   | 2,00     |            |            | --    |
| 0026   | VTVT13938 | 75362            | VIS TE 8X20 UNI5739 INX          | 2,00     |            |            | --    |
| 0027   | VTVT01118 | SL04265          | VIS TCEI M 8X16 ZC. UNI 5931     | 2,00     |            |            | --    |
| 0028   | VTRS13947 | 75373            | RONDELLE D. 8 INX UNI 6592       | 2,00     |            |            | --    |
| 0029   | LAFN06472 |                  | PIVOT RUOTA                      | 2,00     |            |            | --    |
| 0030   | LAFN07060 |                  | ENTRETOISE RUOTA PARACOLPI       | 2,00     |            |            | --    |
| 0031   | VTVT77509 | SL04156          | VIS TE 8X60 UNI5739              | 2,00     |            | 23/03/2015 | --    |
| 0031   | VTVT09650 |                  | VIS TCEI 8X50 UNI5931            | 2,00     | 24/03/2015 |            | --    |
| 0032   | LAFN06506 |                  | TAPIS DE TRANS. 820              | 1,00     |            |            | --    |
| 0033   | VTDD01694 | SL05074          | ECROU M6 INOX                    | 4,00     |            |            | --    |

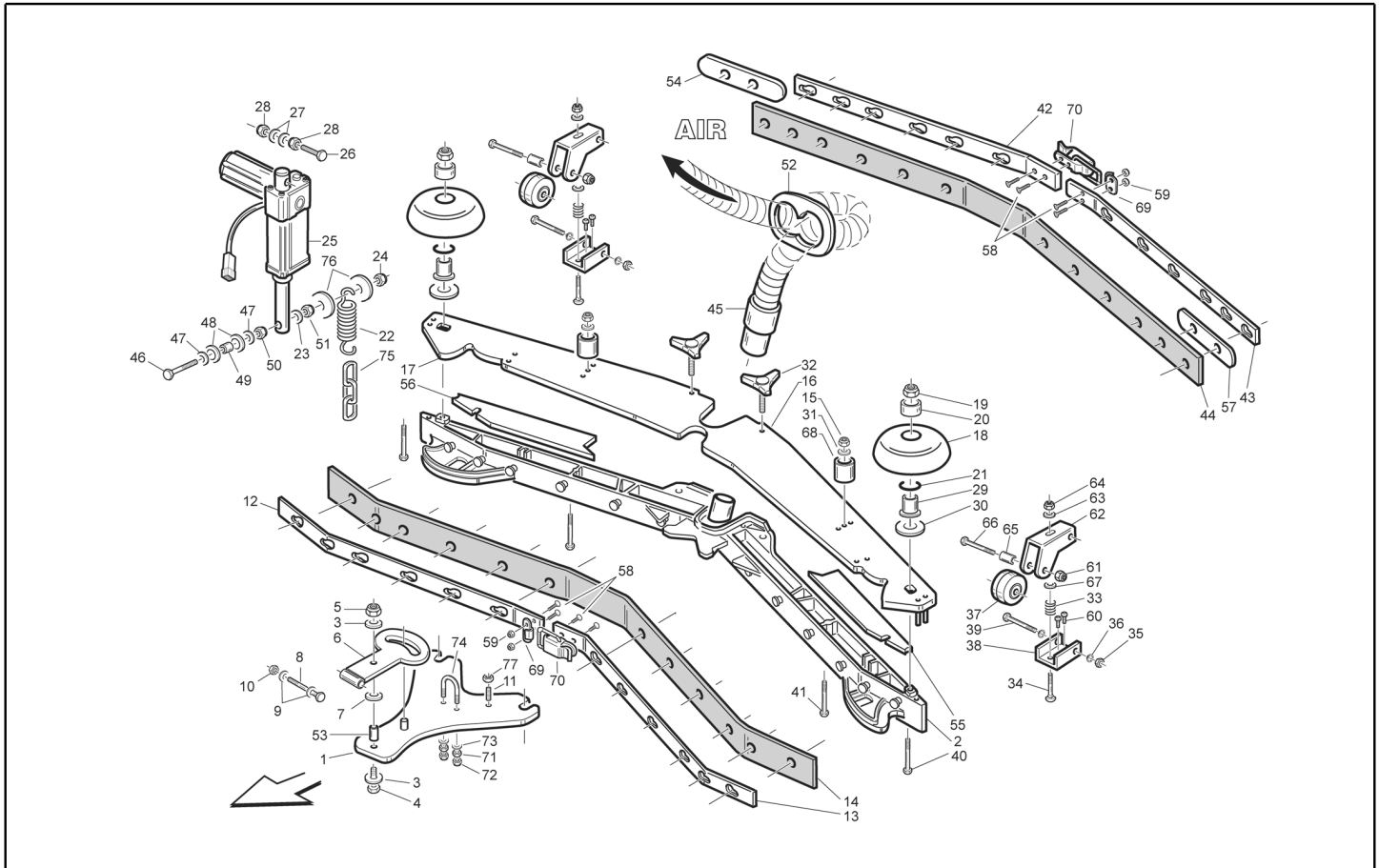


| Ref. K | Part N.   | Customer Part N. | Description                         | Quantity | Validity   |            | Price |
|--------|-----------|------------------|-------------------------------------|----------|------------|------------|-------|
|        |           |                  |                                     |          | From       | To         |       |
| 0034   | VTVT15143 | SL04135          | VIS TE 6X16 UNI5739                 | 4,00     |            |            | --    |
| 0035   | VTVT15143 | SL04135          | VIS TE 6X16 UNI5739                 | 8,00     |            |            | --    |
| 0036   | VTVT13937 | 11051230         | VIS TE M 8X 30 INX UNI 5739         | 4,00     |            |            | --    |
| 0037   | VTRS13947 | 75373            | RONDELLE D. 8 INX UNI 6592          | 16,00    |            |            | --    |
| 0038   | LAFN04151 | SL07641          | DOUILLE X PARALLELOGRAMMA           | 8,00     |            |            | --    |
| 0039   | VTDD15521 | 05518            | ECROU M 8 INX A2 UNI 5588           | 4,00     |            |            | --    |
| 0040   | LAFN06370 |                  | LEVIER PARALLELOGRAMMA              | 4,00     |            |            | --    |
| 0041   | VTVT15142 | SL04087          | VIS TE M 6x45 INOX                  | 2,00     |            | 10/03/2013 | --    |
| 0041   | VTVT01684 |                  | VIS TE 6X45                         | 2,00     | 11/03/2013 |            | --    |
| 0042   | VTDD15518 | 75375            | ECROU M 6 INX                       | 1,00     |            |            | --    |
| 0043   | LAFN05781 | SL39250          | BRAS ATTUATORE                      | 1,00     |            | 16/03/2009 | --    |
| 0043   | LAFN07636 |                  | BRAS -                              | 1,00     | 17/03/2009 |            | --    |
| 0044   | VTAE13511 | SL11014          | BAGUE D'ARRET D. 10 UNI 7435        | 2,00     |            |            | --    |
| 0045   | LAFN51065 |                  | PIVOT INFER.ATTUAT.TEST.            | 1,00     |            |            | --    |
| 0046   | VTVT13937 | 11051230         | VIS TE M 8X 30 INX UNI 5739         | 2,00     |            |            | --    |
| 0047   | VTRS13947 | 75373            | RONDELLE D. 8 INX UNI 6592          | 8,00     |            |            | --    |
| 0048   | VTDD01696 |                  | ECROU M 8 INX                       | 4,00     |            |            | --    |
| 0049   | VTRS13947 | 75373            | RONDELLE D. 8 INX UNI 6592          | 8,00     |            |            | --    |
| 0050   | VTVT13937 | 11051230         | VIS TE M 8X 30 INX UNI 5739         | 2,00     |            |            | --    |
| 0051   | LAFN06383 |                  | BRAS TESTATA                        | 1,00     |            |            | --    |
| 0052   | VTRS13947 | 75373            | RONDELLE D. 8 INX UNI 6592          | 2,00     |            |            | --    |
| 0053   | VTDD01694 | SL05074          | ECROU M6 INOX                       | 2,00     |            |            | --    |
| 0054   | VTDD15521 | 05518            | ECROU M 8 INX A2 UNI 5588           | 1,00     |            |            | --    |
| 0055   | VTRS13946 | SL06025          | RONDELLE D. 8 X24 INX UNI 6593      | 2,00     |            |            | --    |
| 0056   | VTVT00410 | SL04127          | VIS TE M8x35 UNI5739 INOX           | 1,00     |            |            | --    |
| 0057   | MOCC00323 |                  | VERIN BRUSH HEAD CT110              | 1,00     |            |            | --    |
| 0058   | TBFX48011 | MP19205          | TUYAU FLEX D.12X3 ARMORV.PVC TR     | 0,18     |            |            | --    |
| 0059   | RCVR45752 | SL18232          | RACC. P. TUYAU "L" 3/8M - D.10 PLS. | 1,00     |            |            | --    |
| 0060   | MEEV00018 | SL18414          | SOUPAPE ELECTR.                     | 1,00     |            | 06/10/2011 | --    |
| 0061   | GUGO00268 | SL03630          | JOINT D.21 SP.3 GOMMA               | 1,00     |            | 06/10/2011 | --    |
| 0062   | RCVR00353 | SL14382          | BOUCHON 1/2"G X ELETTR. ACL         | 1,00     |            | 06/10/2011 | --    |
| 0063   | LAFN05835 | SL39303          | BRIDE PORTAELETTROVALVOLA           | 1,00     |            |            | --    |
| 0064   | VTVT15906 | SL04180          | VIS TE 6X 12 A2 UNI 5739            | 1,00     |            |            | --    |
| 0065   | VTRS13946 | SL06025          | RONDELLE D. 8 X24 INX UNI 6593      | 2,00     |            |            | --    |
| 0066   | VTDD15518 | 75375            | ECROU M 6 INX                       | 1,00     |            |            | --    |
| 0067   | VTDD15925 | SL05078          | ECROU M 4 INX                       | 2,00     |            |            | --    |
| 0068   | VTDD01694 | SL05074          | ECROU M6 INOX                       | 2,00     |            |            | --    |
| 0069   | VTVT00817 | SL04323          | VIS TE M4x12 UNI 5739 INOX          | 2,00     |            |            | --    |
| 0070   | GUGO36290 | SL03208          | O-RING D. 17.04 X 3.53 NBR 70SH     | 2,00     |            |            | --    |
| 0071   | GUGO00427 |                  | JOINT -                             | 1,00     |            |            | --    |
| 0072   | RCVR00540 | SL18416          | RACCORD                             | 1,00     |            |            | --    |
| 0073   | FTAC00038 | SL18411          | FILTRE G1/2 INOX                    | 1,00     |            |            | --    |
| 0074   | VTVT00699 | SL04140          | VIS TE M. 6-70                      | 2,00     |            |            | --    |
| 0075   | VTRS13945 | SL06039          | RONDELLE D. 6X18 INX UNI 6593       | 2,00     |            |            | --    |

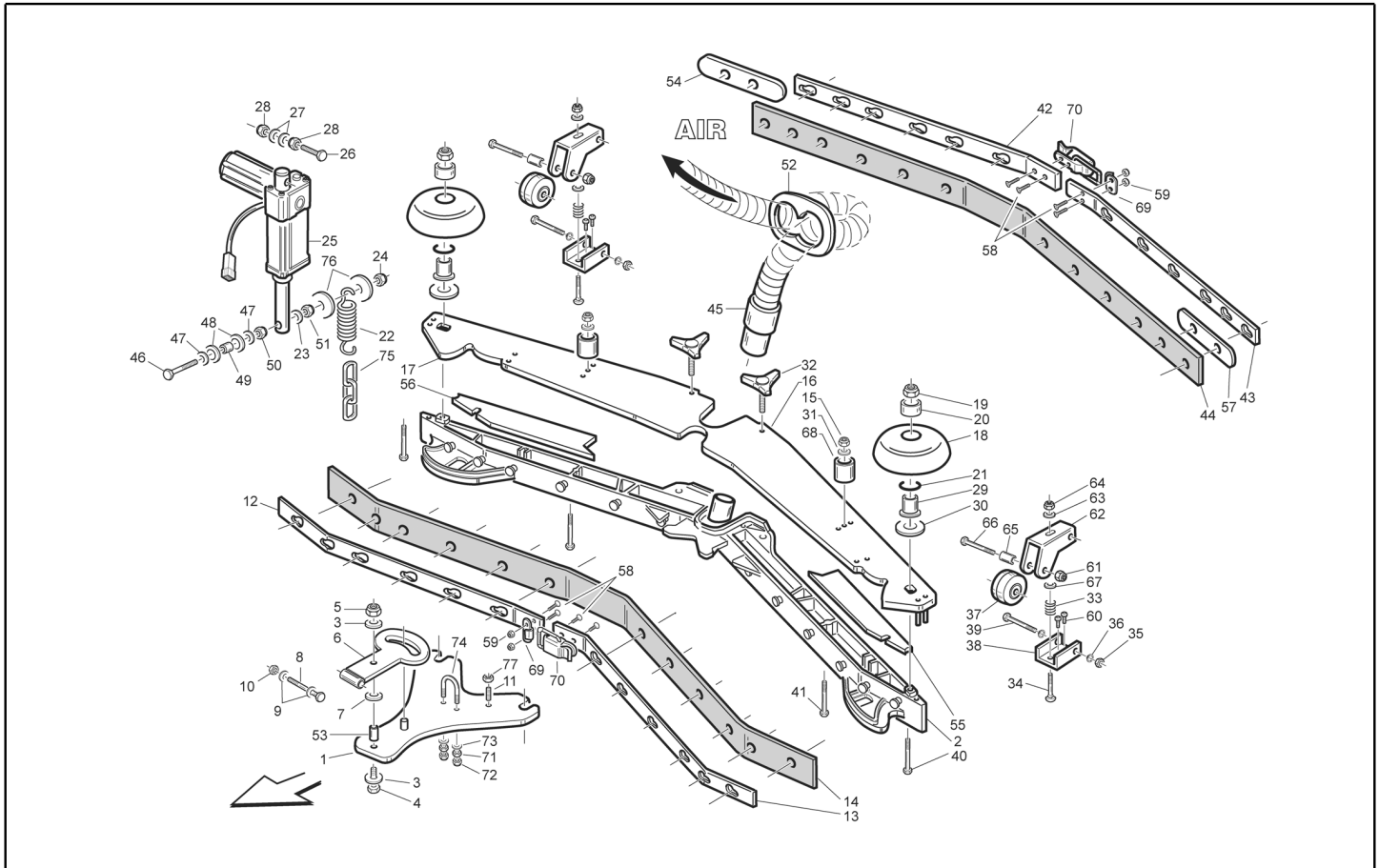


| Ref. K | Part N.   | Customer Part N. | Description                     | Quantity | Validity   |            | Price |
|--------|-----------|------------------|---------------------------------|----------|------------|------------|-------|
|        |           |                  |                                 |          | From       | To         |       |
| 0076   | RCGR00078 |                  | SOUPAPE WATER                   | 1,00     |            |            | --    |
| 0077   | RCVR00744 |                  | RACCORD -                       | 1,00     |            |            | --    |
| 0078   | TBFX48011 | MP19205          | TUYAU FLEX D.12X3 ARMORV.PVC TR | 0,45     |            |            | --    |
| 0079   | MPVR05240 |                  | FRETTE G1/2                     | 1,00     |            |            | --    |
| 0080   | VTRS05905 |                  | RONDELLE ZIGRINATA              | 4,00     |            | 10/04/2011 | --    |
| 0080   | MPVR05312 |                  | TIGE M12                        | 4,00     | 11/04/2011 |            | --    |
| 0081   | RCVR00109 | 12476            | COURBE 90°                      | 1,00     |            |            | --    |
| 0082   | LAFN07058 |                  | PLAT FLAP SX TESTATA 820        | 1,00     |            | 10/12/2008 | --    |
| 0082   | LAFN07083 |                  | BRIDE -                         | 1,00     | 11/12/2008 |            | --    |
| 0083   | MPVR05169 |                  | FLAP SX TESTATA 820             | 1,00     |            |            | --    |
| 0084   | VTRS15978 |                  | RONDELLE D.12X24 UNI 6592 INX   | 2,00     |            |            | --    |
| 0085   | VTDD15521 | 05518            | ECROU M 8 INX A2 UNI 5588       | 2,00     |            |            | --    |
| 0086   | VTRS13945 | SL06039          | RONDELLE D. 6X18 INX UNI 6593   | 8,00     |            |            | --    |
| 0087   | VTRS15144 | 11051232         | RONDELLE D. 6 INX GRW UNI 1751  | 8,00     |            |            | --    |
| 0088   | VTRS15146 | 05519            | RONDELLE D. 8 INX GRW UNI 1751  | 2,00     |            |            | --    |
| 0089   | MPVR05461 |                  | POIGNEE -                       | 4,00     | 12/09/2008 |            | --    |
| 0090   | GUVR00311 |                  | JOINT FTAC00038                 | 1,00     |            |            | --    |
| 0093   | MEEV00044 |                  | SOUPAPE ELECTR.                 | 1,00     | 07/10/2011 |            | --    |
| 0094   | MEEV00044 |                  | SOUPAPE ELECTR.                 | 1,00     | 07/10/2011 |            | --    |

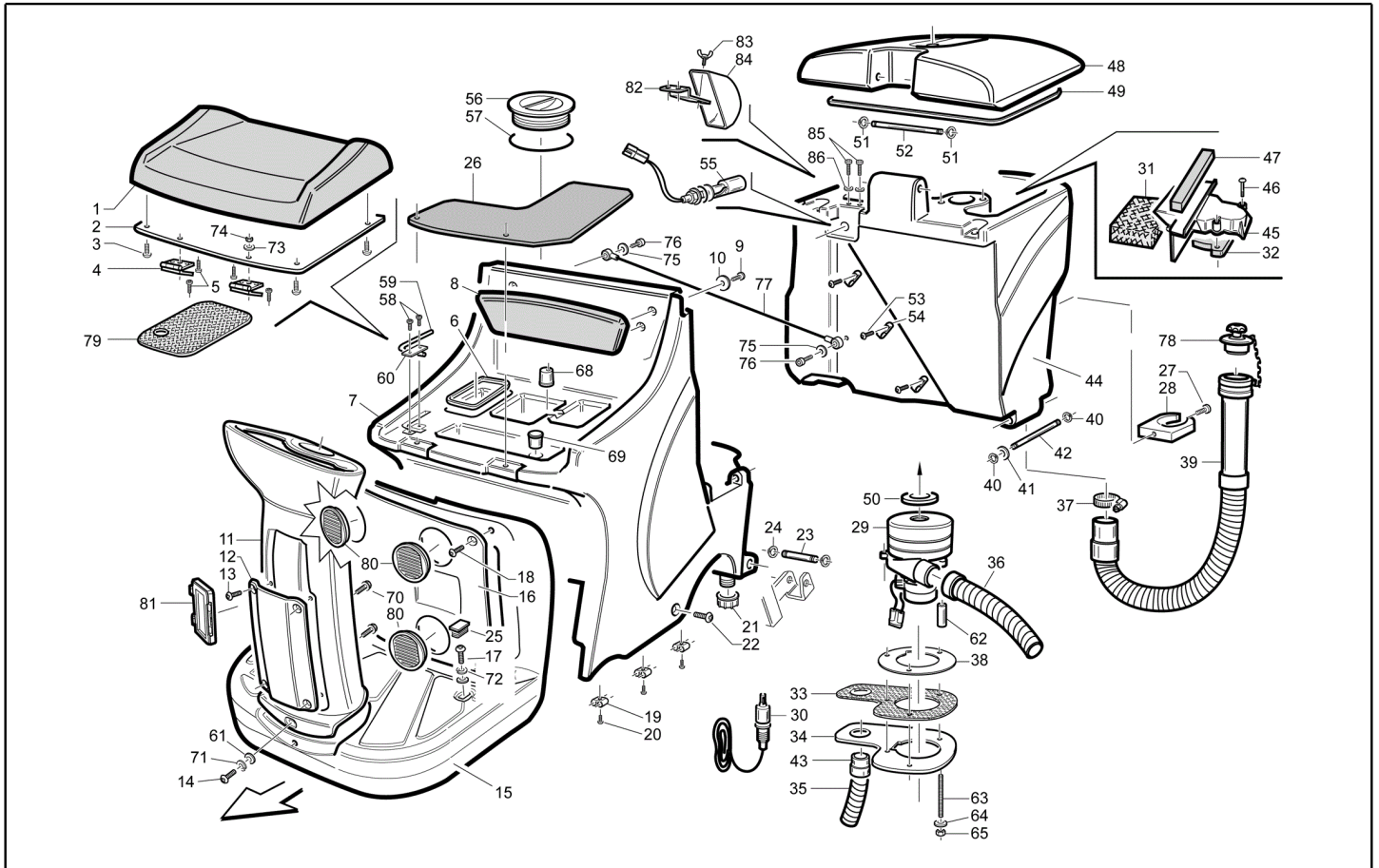




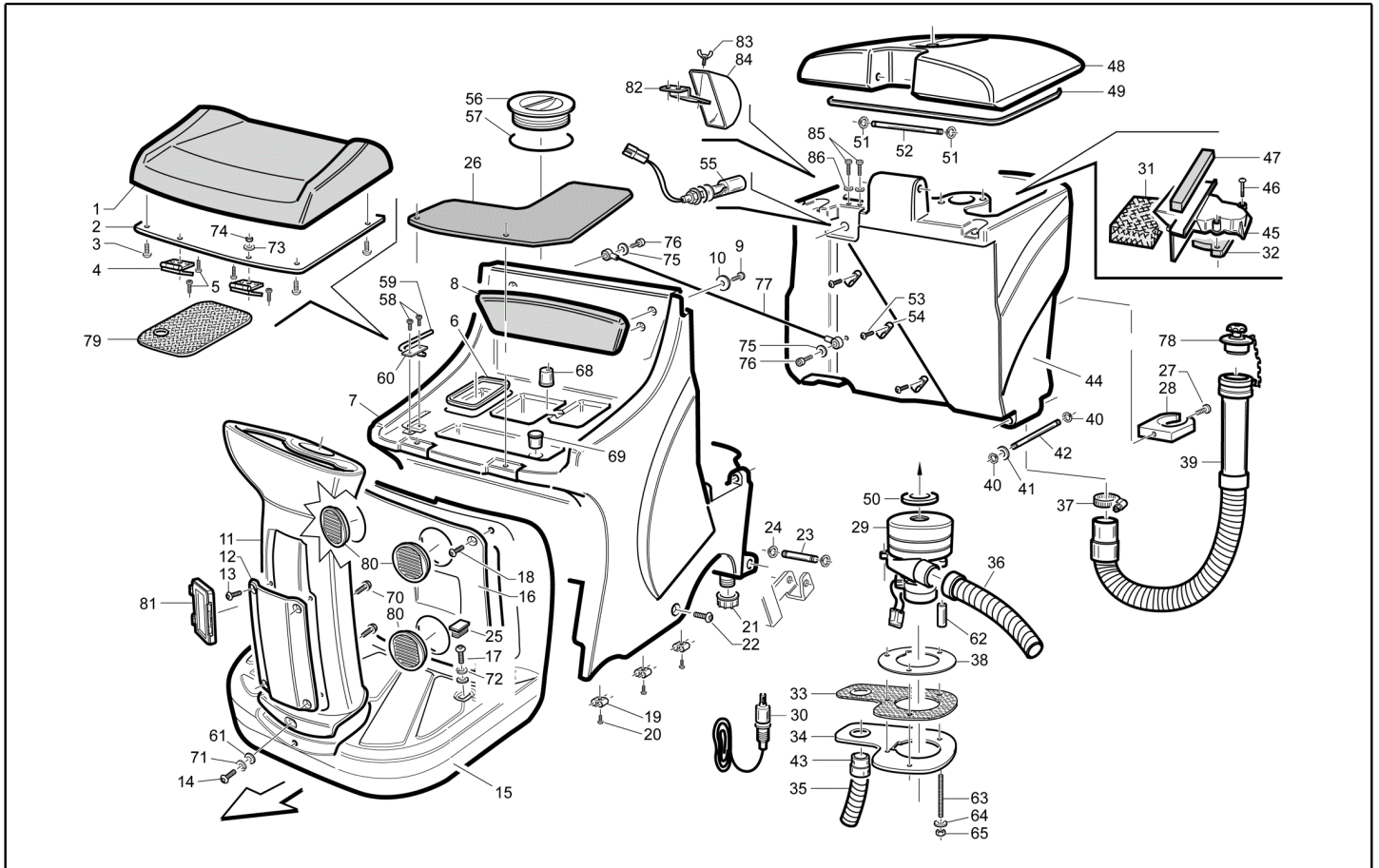
| Ref. K | Part N.   | Customer Part N. | Description                      | Quantity | Validity   |            | Price |
|--------|-----------|------------------|----------------------------------|----------|------------|------------|-------|
|        |           |                  |                                  |          | From       | To         |       |
| 0001   | LAFN07536 |                  | PLAQUE -                         | 1,00     |            | 09/04/2014 | --    |
| 0001   | LAFN09241 |                  | PLAQUE -                         | 1,00     | 10/04/2014 |            | --    |
| 0002   | KTRI02050 |                  | CORPS SQUEEGEE PRESSOFUSO "XL"   | 1,00     |            |            | --    |
| 0003   | VTRS13946 | SL06025          | RONDELLE D. 8 X24 INX UNI 6593   | 1,00     |            |            | --    |
| 0004   | VTVT00410 | SL04127          | VIS TE M8x35 UNI5739 INOX        | 1,00     |            |            | --    |
| 0005   | VTDD01695 | SL05039          | ECROU M 8 INX                    | 1,00     |            |            | --    |
| 0006   | LAFN09010 |                  | SUPPORT -                        | 1,00     |            |            | --    |
| 0007   | VTRS15978 |                  | RONDELLE D.12X24 UNI 6592 INX    | 1,00     |            |            | --    |
| 0008   | VTVT00757 | SL04229          | VIS                              | 1,00     |            |            | --    |
| 0009   | VTRS13947 | 75373            | RONDELLE D. 8 INX UNI 6592       | 2,00     |            |            | --    |
| 0010   | VTDD01695 | SL05039          | ECROU M 8 INX                    | 1,00     |            |            | --    |
| 0011   | VTVT01145 |                  |                                  | 1,00     |            |            | --    |
| 0012   | LAFN08956 |                  | BRIDE -                          | 1,00     |            | 30/10/2013 | --    |
| 0012   | LAFN09288 |                  | TOLE -                           | 1,00     | 31/10/2013 |            | --    |
| 0013   | LAFN08957 |                  | BRIDE -                          | 1,00     |            | 30/10/2013 | --    |
| 0013   | LAFN09289 |                  | TOLE -                           | 1,00     | 31/10/2013 |            | --    |
| 0014   | MPVR05808 |                  | CAOUTCHOUC FRONT SQUEEGEE XL PU  | 1,00     |            | 25/07/2013 | --    |
| 0014   | MPVR08041 |                  | LAME XL LATEX                    | 1,00     | 26/07/2013 |            | --    |
| 0015   | VTDD01694 | SL05074          | ECROU M6 INOX                    | 4,00     |            |            | --    |
| 0016   | LAFN09016 |                  | PLAQUE -                         | 1,00     |            |            | --    |
| 0017   | LAFN09151 |                  | PLAQUE -                         | 1,00     |            |            | --    |
| 0018   | MPVR05290 |                  | GALET TENDEUR PARACOLPI          | 2,00     |            |            | --    |
| 0019   | VTDD01694 | SL05074          | ECROU M6 INOX                    | 2,00     |            |            | --    |
| 0020   | MPVR49229 | SL17608          | DOUILLE SHK                      | 2,00     |            |            | --    |
| 0021   | GUGO00164 | SL03199          | JOINT                            | 2,00     |            |            | --    |
| 0022   | CMCV00445 |                  | CABLE LIFTING SQUEEGEE CT110     | 1,00     |            | 09/04/2014 | --    |
| 0022   | MLML00342 |                  | RESSORT -                        | 1,00     | 10/04/2014 |            | --    |
| 0023   | VTRS15144 | 11051232         | RONDELLE D. 6 INX GRW UNI 1751   | 2,00     |            |            | --    |
| 0024   | VTDD01694 | SL05074          | ECROU M6 INOX                    | 2,00     |            |            | --    |
| 0025   | MOCC00322 |                  | VERIN SQUEEGEE CT110             | 1,00     |            |            | --    |
| 0026   | VTVT15917 | SL04143          | VIS TE M 8X50 INOX A2 UNI        | 1,00     |            |            | --    |
| 0027   | VTRS13947 | 75373            | RONDELLE D. 8 INX UNI 6592       | 2,00     |            |            | --    |
| 0028   | VTDD01695 | SL05039          | ECROU M 8 INX                    | 2,00     |            |            | --    |
| 0029   | LAFN04100 | SL07596          | ENTRETOISE PER RUOTINO PARACOLPI | 2,00     |            |            | --    |
| 0030   | VTRS16937 | 11051241         | RONDELLE 6x24 INOX UNI 6593      | 2,00     |            |            | --    |
| 0031   | VTRS00245 | SL06022          | RONDELLE D.6 UNI 6592 INOX       | 2,00     |            |            | --    |
| 0032   | MPVR06004 |                  | POIGNEE AISI 304                 | 2,00     |            |            | --    |
| 0033   | MLML49422 | SL13103          | RESSORT D.15X 45 X1              | 2,00     |            |            | --    |
| 0034   | VTVT01304 |                  | VIS M 8X 40 TTQST UNI 5731       | 2,00     |            |            | --    |
| 0035   | VTDD01694 | SL05074          | ECROU M6 INOX                    | 2,00     |            |            | --    |
| 0036   | VTAE45707 | 1105407          | SEEGER RADIALE TIPO H UNI7434 D6 | 4,00     |            |            | --    |
| 0037   | RTRT00540 |                  | ROUE D.8x32                      | 2,00     |            |            | --    |
| 0038   | LAFN51069 |                  | BRIDE SUPP.RUOTINO SQUEEGEE      | 2,00     |            |            | --    |
| 0039   | VTVT15515 | SL04261          | VIS TE M 6X 50 INOX A2           | 2,00     |            |            | --    |



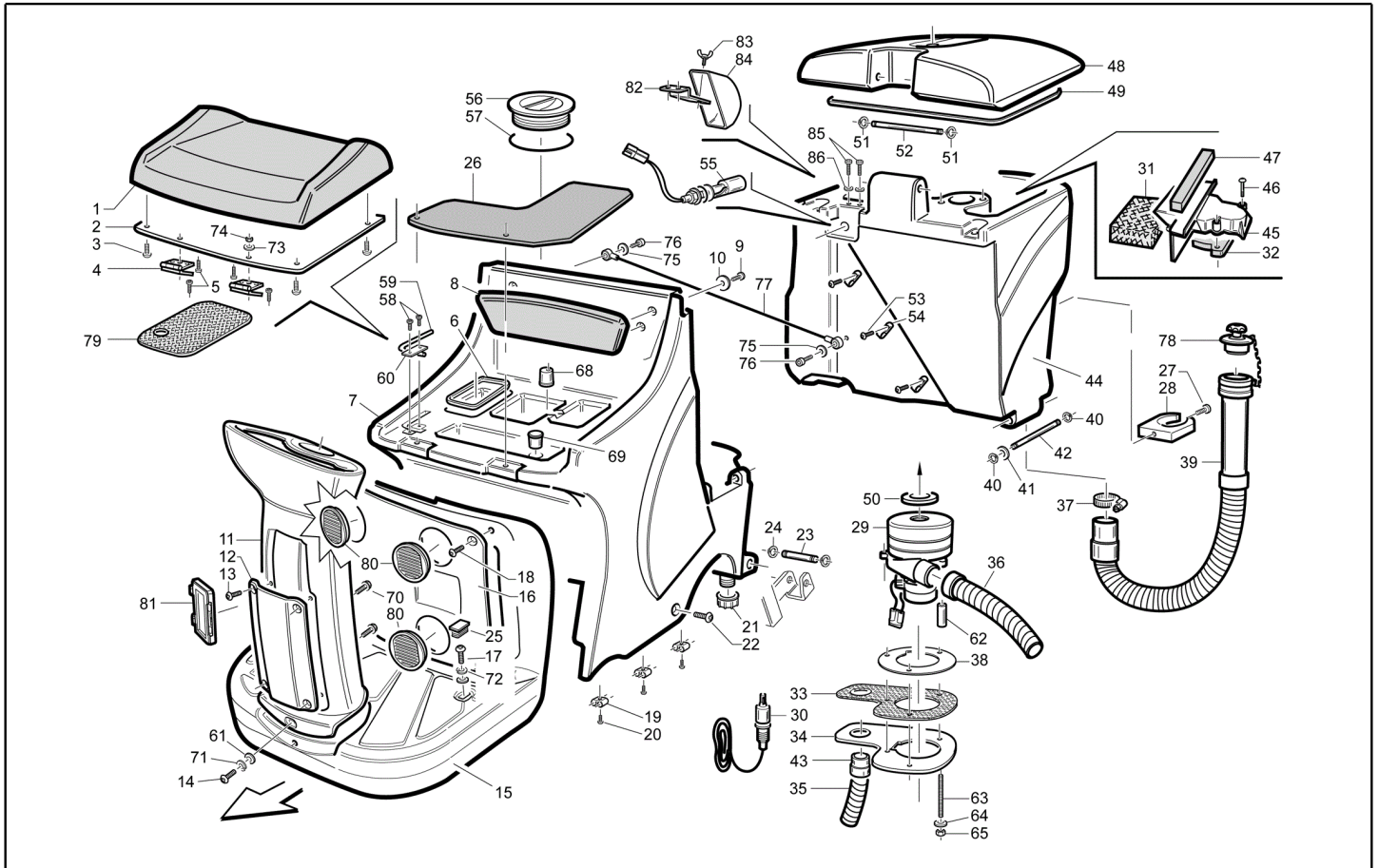
| Ref. K | Part N.   | Customer Part N. | Description                    | Quantity | Validity   |            | Price |
|--------|-----------|------------------|--------------------------------|----------|------------|------------|-------|
|        |           |                  |                                |          | From       | To         |       |
| 0040   | VTVT00841 | SL04354          | VIS TE M 6X65 UNI 5739 INX     | 2,00     |            |            | --    |
| 0041   | VTVT00699 | SL04140          | VIS TE M. 6-70                 | 2,00     |            | 17/05/2017 | --    |
| 0041   | VTVT00841 | SL04354          | VIS TE M 6X65 UNI 5739 INX     | 2,00     | 18/05/2017 |            | --    |
| 0042   | LAFN08958 |                  | BRIDE -                        | 1,00     |            | 30/10/2013 | --    |
| 0042   | LAFN09290 |                  | TOLE -                         | 1,00     | 31/10/2013 |            | --    |
| 0043   | LAFN08959 |                  | BRIDE -                        | 1,00     |            | 30/10/2013 | --    |
| 0043   | LAFN09291 |                  | TOLE -                         | 1,00     | 31/10/2013 |            | --    |
| 0044   | MPVR05810 |                  | CAOUTCHOUC REAR SQUEEGEE XL PU | 1,00     |            | 25/07/2013 | --    |
| 0044   | MPVR08037 |                  | LAME XL LATEX                  | 1,00     | 26/07/2013 |            | --    |
| 0045   | KTRI04699 |                  | KIT REPLACEMENT TBBP00402      | 1,00     |            |            | --    |
| 0046   | VTVT17342 | SL04058          | VIS TE M 6X 60 UNI 5739 INX    | 1,00     |            |            | --    |
| 0047   | VTRS07728 | 75371            | RONDELLE D. 6 INX              | 3,00     |            |            | --    |
| 0048   | VTRS13947 | 75373            | RONDELLE D. 8 INX UNI 6592     | 2,00     |            |            | --    |
| 0049   | LAFN03840 | SL07318          | DOUILLE                        | 1,00     |            |            | --    |
| 0050   | VTDD15518 | 75375            | ECROU M 6 INX                  | 1,00     |            |            | --    |
| 0051   | VTDD15518 | 75375            | ECROU M 6 INX                  | 1,00     |            |            | --    |
| 0052   | MPVR04659 |                  | BRIDE                          | 1,00     |            |            | --    |
| 0053   | LAFN35608 | SL07176          | ENTRETOISE S. BLOCK BT 530     | 1,00     |            |            | --    |
| 0054   | MPVR05898 |                  | FERMETURE L                    | 1,00     |            |            | --    |
| 0055   | GUVR00304 |                  | JOINT -                        | 1,00     |            |            | --    |
| 0056   | GUVR00305 |                  | JOINT -                        | 1,00     |            |            | --    |
| 0057   | MPVR05898 |                  | FERMETURE L                    | 1,00     |            |            | --    |
| 0058   | VTVT01070 |                  | VIS TSTC M3X8                  | 8,00     |            |            | --    |
| 0059   | VTDD00210 |                  | ECROU M 3 AUTOBL.DIN 985 IX.A2 | 8,00     |            |            | --    |
| 0060   | VTVR01040 |                  | RIVET -                        | 4,00     |            |            | --    |
| 0061   | VTDD01694 | SL05074          | ECROU M6 INOX                  | 2,00     |            |            | --    |
| 0062   | LAFN05559 | SL39033          | SUPPORT RUOTINO                | 2,00     |            |            | --    |
| 0063   | VTRS13947 | 75373            | RONDELLE D. 8 INX UNI 6592     | 2,00     |            |            | --    |
| 0064   | VTDD01695 | SL05039          | ECROU M 8 INX                  | 2,00     |            |            | --    |
| 0065   | TBBP00124 | MP19107          | TUYAU D 8/6                    | 0,02     |            |            | --    |
| 0066   | VTVT15515 | SL04261          | VIS TE M 6X 50 INOX A2         | 2,00     |            |            | --    |
| 0067   | VTRS13947 | 75373            | RONDELLE D. 8 INX UNI 6592     | 2,00     |            |            | --    |
| 0068   | MPVR06016 |                  | BRIDE -                        | 2,00     |            |            | --    |
| 0069   | LAFN09301 |                  | PRISE -                        | 2,00     |            |            | --    |
| 0070   | LAFN09302 |                  | FERMETURE -                    | 2,00     |            |            | --    |
| 0071   | VTDD15520 | SL05017          | ECROU M 6 A2 UNI 5588 INX      | 2,00     | 10/04/2014 |            | --    |
| 0072   | VTDD01694 | SL05074          | ECROU M6 INOX                  | 2,00     | 10/04/2014 |            | --    |
| 0073   | VTRS00245 | SL06022          | RONDELLE D.6 UNI 6592 INOX     | 2,00     | 10/04/2014 |            | --    |
| 0074   | LAFN09231 |                  | BRIDE M6X11X29                 | 1,00     | 10/04/2014 |            | --    |
| 0075   | MTCR00029 | 70311            | CHAINETTE                      | 0,02     | 10/04/2014 |            | --    |
| 0076   | VTRS13945 | SL06039          | RONDELLE D. 6X18 INX UNI 6593  | 2,00     | 10/04/2014 |            | --    |
| 0077   | VTDD15521 | 05518            | ECROU M 8 INX A2 UNI 5588      | 1,00     | 10/04/2014 |            | --    |



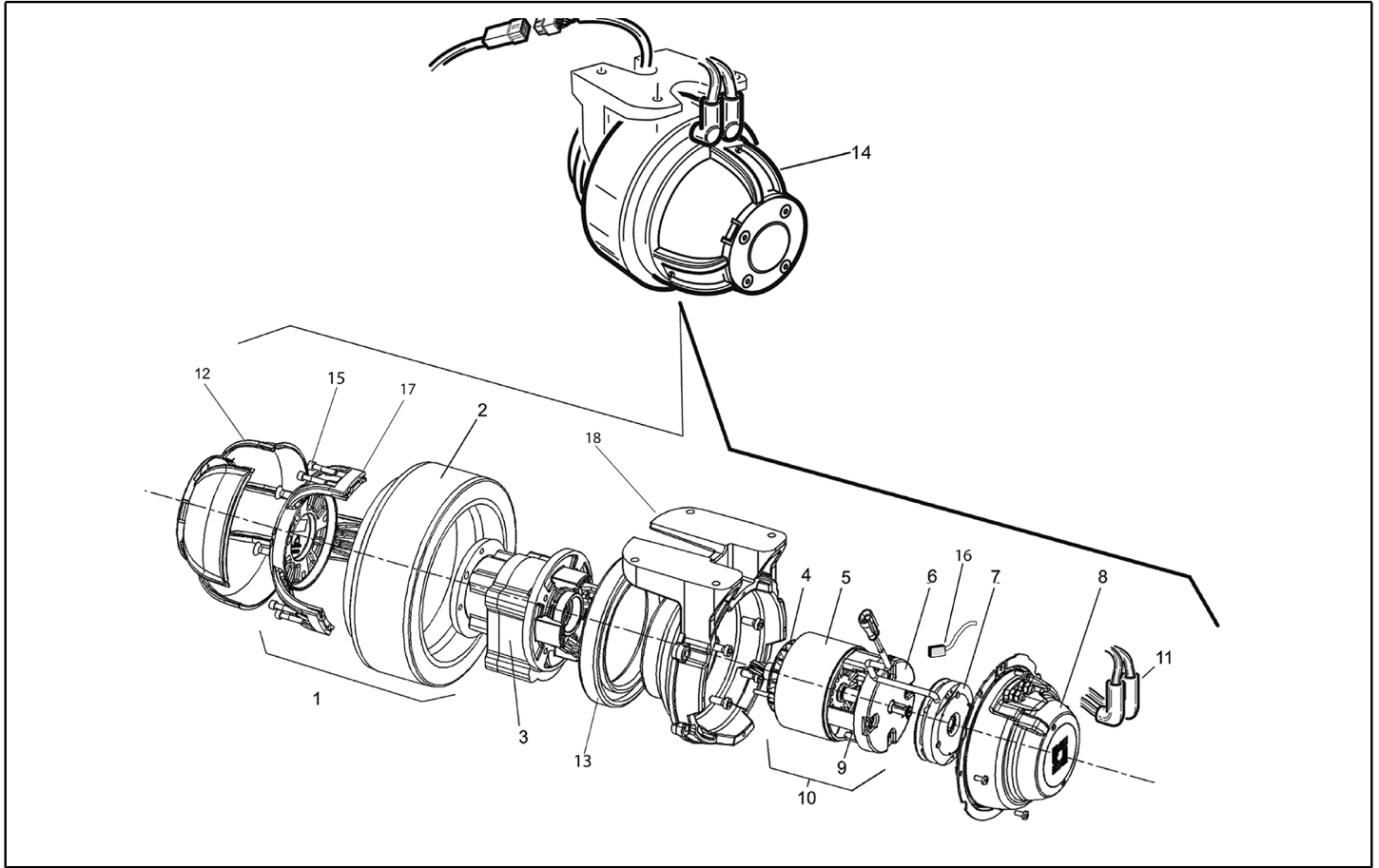
| Ref. K | Part N.    | Customer Part N. | Description                              | Quantity | Validity   |            | Price |
|--------|------------|------------------|--|----------|------------|------------|-------|
|        |            |                  |  |          | From       | To         |       |
| 0001   | SESD00021  | SL14372          | SIEGE                                    | 1,00     |            |            | --    |
| 0002   | LAFN06430  |                  | PLAQUE CT110                             | 1,00     |            |            | --    |
| 0003   | VTVT15143  | SL04135          | VIS TE 6X16 UNI5739                      | 4,00     |            |            | --    |
| 0004   | CEVR00060  | SL14379          | CHARNIERE PORTA SEDILE P185              | 2,00     |            |            | --    |
| 0005   | VTVT01317  |                  | VIS M 5X 12 TSPEI UNI 5933               | 4,00     |            |            | --    |
| 0006   | GLUVR00284 |                  | JOINT CT110                              | 1,00     |            |            | --    |
| 0007   | MPVR05692  |                  | RESERVOIR CT110                          | 1,00     |            |            | --    |
| 0008   | SESD00020  | SL14371          | TOLE CLEANTIME                           | 1,00     |            |            | --    |
| 0009   | VTVT00433  |                  | VIS TE M 6X 30 UNI 5739 INX              | 2,00     |            |            | --    |
| 0010   | VTRS13945  | SL06039          | RONDELLE D. 6X18 INX UNI 6593            | 4,00     |            |            | --    |
| 0011   | MPVR05694  |                  | JOUE CT110                               | 1,00     |            |            | --    |
| 0012   | MPVR05693  |                  | COUVERCLE SCHEDA POTENZA                 | 1,00     |            | 09/11/2009 | --    |
| 0012   | MPVR05205  |                  | COUVERCLE SCHEDA POTENZA                 | 1,00     | 10/11/2009 |            | --    |
| 0013   | VTVT00005  | 1105023          | VIS TE FR 5X12 ZB                        | 4,00     |            |            | --    |
| 0014   | VTVT15142  | SL04087          | VIS TE M 6x45 INOX                       | 1,00     |            |            | --    |
| 0015   | MPVR05691  |                  | MARCHEPIED CT110                         | 1,00     |            |            | --    |
| 0016   | MPVR05206  |                  | COUVERCLE PANNELLO ELETTRONICA           | 1,00     |            |            | --    |
| 0017   | VTVT00433  |                  | VIS TE M 6X 30 UNI 5739 INX              | 2,00     |            |            | --    |
| 0018   | VTVT00005  | 1105023          | VIS TE FR 5X12 ZB                        | 4,00     |            |            | --    |
| 0019   | FSVR00243  |                  | COLLIER 20/30                            | 3,00     |            |            | --    |
| 0020   | VTVT37012  | SL04289          | VIS M 4X 10 TCB-TC INX                   | 3,00     |            |            | --    |
| 0021   | KTRI03463  |                  | BOUCHON ECHAPP. SCARICO SERBATOIO SOLUZ. | 1,00     |            | 31/10/2011 | --    |
| 0021   | MPVR07073  |                  | BOUCHON SOLUTION TANK CT110              | 1,00     | 01/11/2011 | 09/03/2017 | --    |
| 0021   | MPVR10773  |                  | BOUCHON 3/4"                             | 1,00     | 10/03/2017 |            | --    |
| 0022   | VTVT00005  | 1105023          | VIS TE FR 5X12 ZB                        | 1,00     |            |            | --    |
| 0023   | LAFN06433  |                  | PIVOT ROTAZIONE                          | 2,00     |            |            | --    |
| 0024   | VTAE06761  | RP06761          | BAGUE D'ARRET D. 18 UNI 7435             | 4,00     |            |            | --    |
| 0025   | MPVR05314  |                  | BOUCHON STR35X25                         | 2,00     |            |            | --    |
| 0026   | MPVR05315  |                  | TIGE CT110                               | 1,00     |            |            | --    |
| 0027   | VTVT15924  | 1105494          | VIS TCTC 4X16 ACCIAIO INOX               | 1,00     |            |            | --    |
| 0028   | MPVR05252  |                  | AGRAFE D.60                              | 1,00     |            |            | --    |
| 0029   | MOCC00273  |                  | MOTEUR VACUUM 3ST 24V                    | 1,00     |            |            | --    |
| 0029   | MEVR05200  |                  | CHARBON MOTORE ASP.AMET.116599-13        | 1,00     |            |            | --    |
| 0030   | MECI00533  |                  | CAPTEUR VS303-51N                        | 1,00     |            |            | --    |
| 0031   | FTDP00133  | SL03647          | FILTRE VACUUM MOTOR                      | 1,00     |            |            | --    |
| 0032   | GUGO00417  |                  | JOINT SCATOLA ASPIRAZIONE                | 1,00     |            |            | --    |
| 0033   | MPVR05103  |                  | INSONORISATION ASPIRATORE                | 1,00     |            |            | --    |
| 0034   | LAFN06363  |                  | BRIDE ASPIRATORE                         | 1,00     |            |            | --    |
| 0035   | TBFX00244  | SL19198          | TUYAU D 34 L200MM                        | 1,00     |            |            | --    |
| 0036   | TBFX00244  | SL19198          | TUYAU D 34 L200MM                        | 1,00     |            |            | --    |
| 0037   | FSVR00033  | 70616            | COLLIER 45-60                            | 1,00     |            |            | --    |
| 0038   | MPVR04724  |                  | BRIDE IN NYLON                           | 1,00     |            |            | --    |
| 0039   | TBBP00401  |                  | TUYAU ACQUA SPORCA                       | 1,00     |            | 25/03/2013 | --    |
| 0039   | TBFX00362  |                  | TUYAU PU                                 | 1,00     | 26/03/2013 |            | --    |



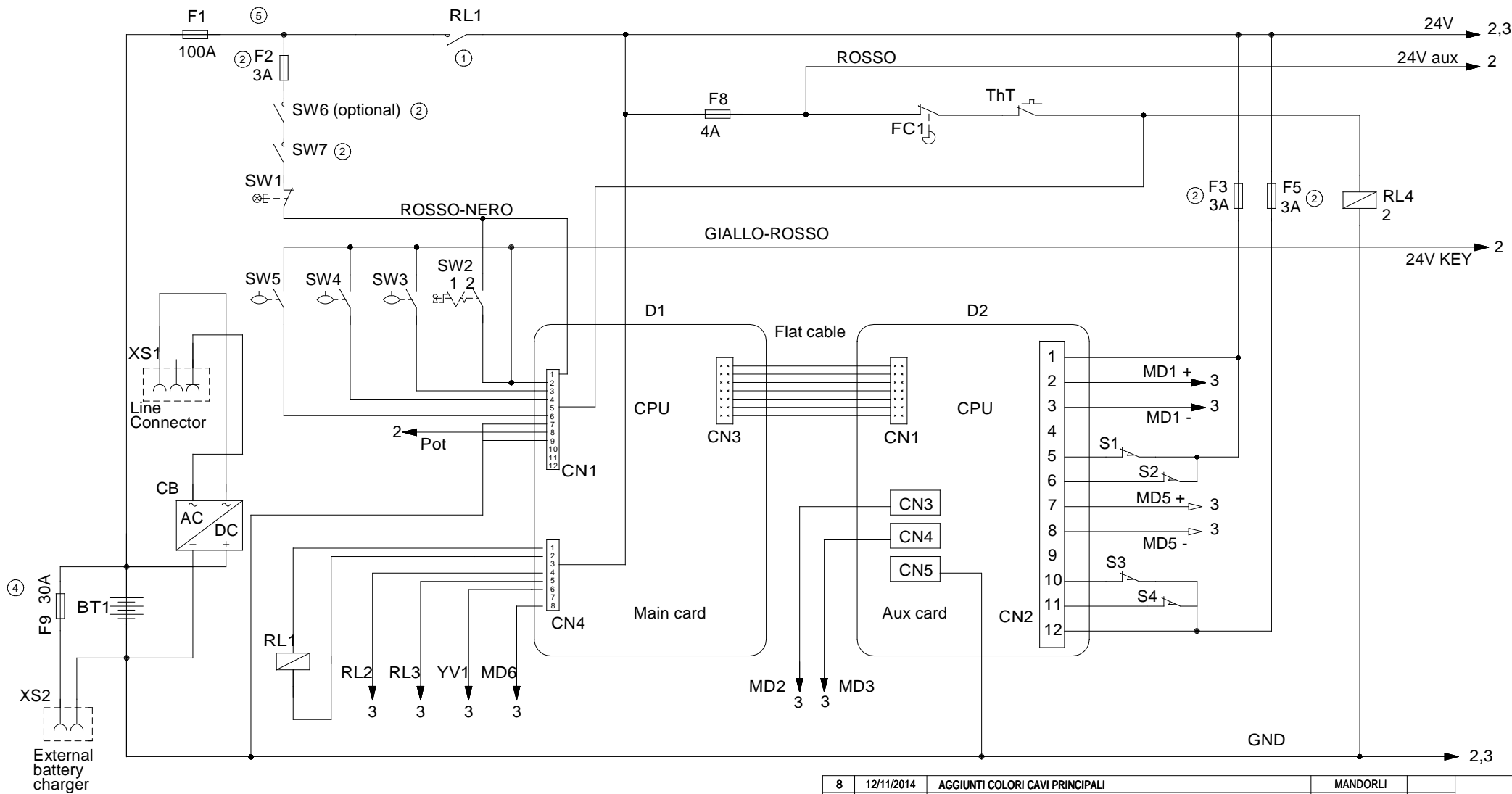
| Ref. K | Part N.   | Customer Part N. | Description                      | Quantity | Validity |            | Price |
|--------|-----------|------------------|----------------------------------|----------|----------|------------|-------|
|        |           |                  |                                  |          | From     | To         |       |
| 0040   | VTAE14096 | 1105412          | SEEGER ESTERNO DIN 471 D.8       | 2,00     |          |            | --    |
| 0041   | VTRS13947 | 75373            | RONDELLE D. 8 INX UNI 6592       | 1,00     |          |            | --    |
| 0042   | LAFN06434 |                  | PIVOT ROTAZIONE                  | 1,00     |          |            | --    |
| 0043   | MPVR31077 | SL07044          | DOUILLE L.450                    | 1,00     |          |            | --    |
| 0044   | MPVR05696 |                  | RESERVOIR CT110                  | 1,00     |          |            | --    |
| 0045   | MPVR05482 |                  | BOITE -                          | 1,00     |          |            | --    |
| 0046   | VTVT01325 |                  | VIS TCEI 5X35 INOX UNI5931       | 2,00     |          |            | --    |
| 0047   | GUGO00418 |                  | JOINT CONDOTTO ASPIRAZIONE       | 1,00     |          |            | --    |
| 0048   | MPVR05695 |                  | COUVERCLE CT110                  | 1,00     |          |            | --    |
| 0049   | GUVR00272 |                  | JOINT CT110                      | 1,00     |          |            | --    |
| 0050   | GUGO00272 | SL03648          | JOINT VACUUM MOTOR CT            | 1,00     |          |            | --    |
| 0051   | VTVR00536 |                  | SEEGER 8                         | 2,00     |          |            | --    |
| 0052   | LAFN06509 |                  | PIVOT ROTAZIONE                  | 1,00     |          |            | --    |
| 0053   | VTVT37012 | SL04289          | VIS M 4X 10 TCB-TC INX           | 3,00     |          |            | --    |
| 0054   | MPVR02933 | SL14146          | FIXE-TUYAU D.9,5                 | 3,00     |          |            | --    |
| 0055   | MECI00516 |                  | CAPTEUR DI LIVELLO ORIZZONTALE   | 1,00     |          |            | --    |
| 0056   | MPVR05212 |                  | BOUCHON -                        | 1,00     |          | 22/06/2009 | --    |
| 0057   | GUVR00287 |                  | JOINT CT110                      | 1,00     |          | 22/06/2009 | --    |
| 0058   | VTVT00849 | SL04364          | VIS M 4X 10 TSPEI INX U.5933     | 2,00     |          |            | --    |
| 0059   | LAFN06431 |                  | TIGE CT110                       | 1,00     |          |            | --    |
| 0060   | LAFN06432 |                  | PLAQUE CT110                     | 1,00     |          |            | --    |
| 0061   | VTRS13945 | SL06039          | RONDELLE D. 6X18 INX UNI 6593    | 1,00     |          |            | --    |
| 0062   | LAFN51077 |                  | ENTRETOISE PH                    | 3,00     |          |            | --    |
| 0063   | VTVT00785 | SL04276          | TIGE FILETTO                     | 3,00     |          |            | --    |
| 0064   | VTRS13945 | SL06039          | RONDELLE D. 6X18 INX UNI 6593    | 3,00     |          |            | --    |
| 0065   | VTDD15518 | 75375            | ECROU M 6 INX                    | 3,00     |          |            | --    |
| 0068   | MPVR05273 |                  | BOUCHON CT110                    | 1,00     |          |            | --    |
| 0069   | MPVR05272 |                  | BOUCHON CT110                    | 1,00     |          |            | --    |
| 0070   | VTVT62920 | 1105162          | VIS TE FR 6X16 ZB ZIGRINATE      | 4,00     |          |            | --    |
| 0071   | VTRS15144 | 11051232         | RONDELLE D. 6 INX GRW UNI 1751   | 1,00     |          |            | --    |
| 0072   | VTRS15144 | 11051232         | RONDELLE D. 6 INX GRW UNI 1751   | 2,00     |          |            | --    |
| 0073   | VTRS00502 | 05117            | RONDELLE D. 5 0.466 UNI 6592     | 2,00     |          |            | --    |
| 0074   | VTDD15517 | SL05043          | ECROU M 5 INX                    | 2,00     |          |            | --    |
| 0075   | VTRS13947 | 75373            | RONDELLE D. 8 INX UNI 6592       | 4,00     |          |            | --    |
| 0076   | VTVT13938 | 75362            | VIS TE 8X20 UNI5739 INX          | 2,00     |          |            | --    |
| 0077   | CMCV00427 |                  | CABLE CT 110                     | 1,00     |          |            | --    |
| 0078   | MPVR05380 |                  | BOUCHON CT110                    | 1,00     |          |            | --    |
| 0079   | GUGO00313 |                  | MOUSSE CT110                     | 1,00     |          |            | --    |
| 0080   | LAFN02931 | 71859            | BRIDE FAN COOLER                 | 2,00     |          |            | --    |
| 0081   | MEVR00232 | 06683            | GUICHET TO REMOVE AND RESET FUSE | 1,00     |          |            | --    |
| 0082   | LAFN07737 |                  | BRIDE -                          | 1,00     |          |            | --    |
| 0083   | VTVT01150 |                  | VIS 4x10                         | 1,00     |          |            | --    |
| 0084   | MPVR05596 |                  | PROTECTION -                     | 1,00     |          |            | --    |
| 0085   | VTVT15961 | SL04108          | VIS M 5X 16 TCB TC UNI 7687      | 2,00     |          |            | --    |



| Ref. K | Part N.   | Customer Part N. | Description                    | Quantity | Validity |    | Price |
|--------|-----------|------------------|--------------------------------|----------|----------|----|-------|
|        |           |                  |                                |          | From     | To |       |
| 0086   | VTRS15908 | SL06094          | RONDELLE D. 5 INX GRW UNI 1751 | 2,00     |          |    | --    |



| Ref. K | Part N.   | Customer Part N. | Description          | Quantity | Validity |    | Price |
|--------|-----------|------------------|----------------------|----------|----------|----|-------|
|        |           |                  |                      |          | From     | To |       |
| 0001   | RTRT00533 |                  | BAGUE MOTORWHEEL     | 1,00     |          |    | --    |
| 0002   | RTRT00533 |                  | BAGUE MOTORWHEEL     | 1,00     |          |    | --    |
| 0003   | RDGR00040 |                  | REDUCTEUR CT110      | 1,00     |          |    | --    |
| 0004   | KTRI05043 |                  | KIT MOTORWHEEL CT110 | 1,00     |          |    | --    |
| 0006   | MEVR02084 |                  | CALOTTE CT110        | 1,00     |          |    | --    |
| 0007   | MEVR02030 |                  | FREIN -              | 1,00     |          |    | --    |
| 0008   | MPVR06031 |                  | COIFFE MOTORUOTA     | 1,00     |          |    | --    |
| 0009   | MEVR00985 | MP02251-2        | BROSSE CARBON 10X18  | 4,00     |          |    | --    |
| 0010   | MOCC00399 |                  | MOTEUR MP80          | 1,00     |          |    | --    |
| 0011   | MEVR00889 |                  | PIPETTE              | 2,00     |          |    | --    |
| 0012   | MPVR08044 |                  | COUVERCLE -          | 1,00     |          |    | --    |
| 0013   | CUVR00194 |                  | ROULEMENT 61926 2RS  | 1,00     |          |    | --    |
| 0014   | KTRI02209 |                  | KIT CT110            | 1,00     |          |    | --    |
| 0015   | VTVT16676 |                  | VIS M6X60 A2 UNI5931 | 4,00     |          |    | --    |
| 0016   | MEVR02902 |                  | PLAQUETTE -          | 1,00     |          |    | --    |
| 0017   | MFVR00295 |                  | SUPPORT -            | 1,00     |          |    | --    |
| 0018   | MFVR00296 |                  | SUPPORT -            | 1,00     |          |    | --    |



# MAIN CONTROL BOARD

| IND. | DATA       | DESCRIZIONE MODIFICA   | FIRMA    | MT N° |
|------|------------|--|----------|-------|
| 8    | 12/11/2014 | AGGIUNTI COLORI CAVI PRINCIPALI  | MANDORLI |       |
| 7    | 15/10/2014 | AGGIORNATO SCHEMA  | MANDORLI |       |
| 6    | 16/01/2013 | CORRETTA ORIENTAZIONE LED  | MANDORLI |       |
| 5    | 08/10/2012 | CORRETTA CONNESSIONE FUSIBILE F2   | MANDORLI |       |
| 4    | 19/09/2012 | AGGIUNTO FUSIBILE 30A SU CONNESSIONE CB  | MANDORLI |       |
| 3    | 13/10/2011 | RIFATTO SCHEMA   | MANDORLI |       |
| 2    | 01/04/2010 | MOD. FUSIBILI F2 (EX 2A), F3 E F5 (EX 5A), F4 E F7 (EX 25A); AGGIUNTO SW6 E SW7. | CASALI   |       |
| 1    | 07/10/2009 | MODIFICATA SCRITTA DA KM1 a RL1  | SALSI    |       |

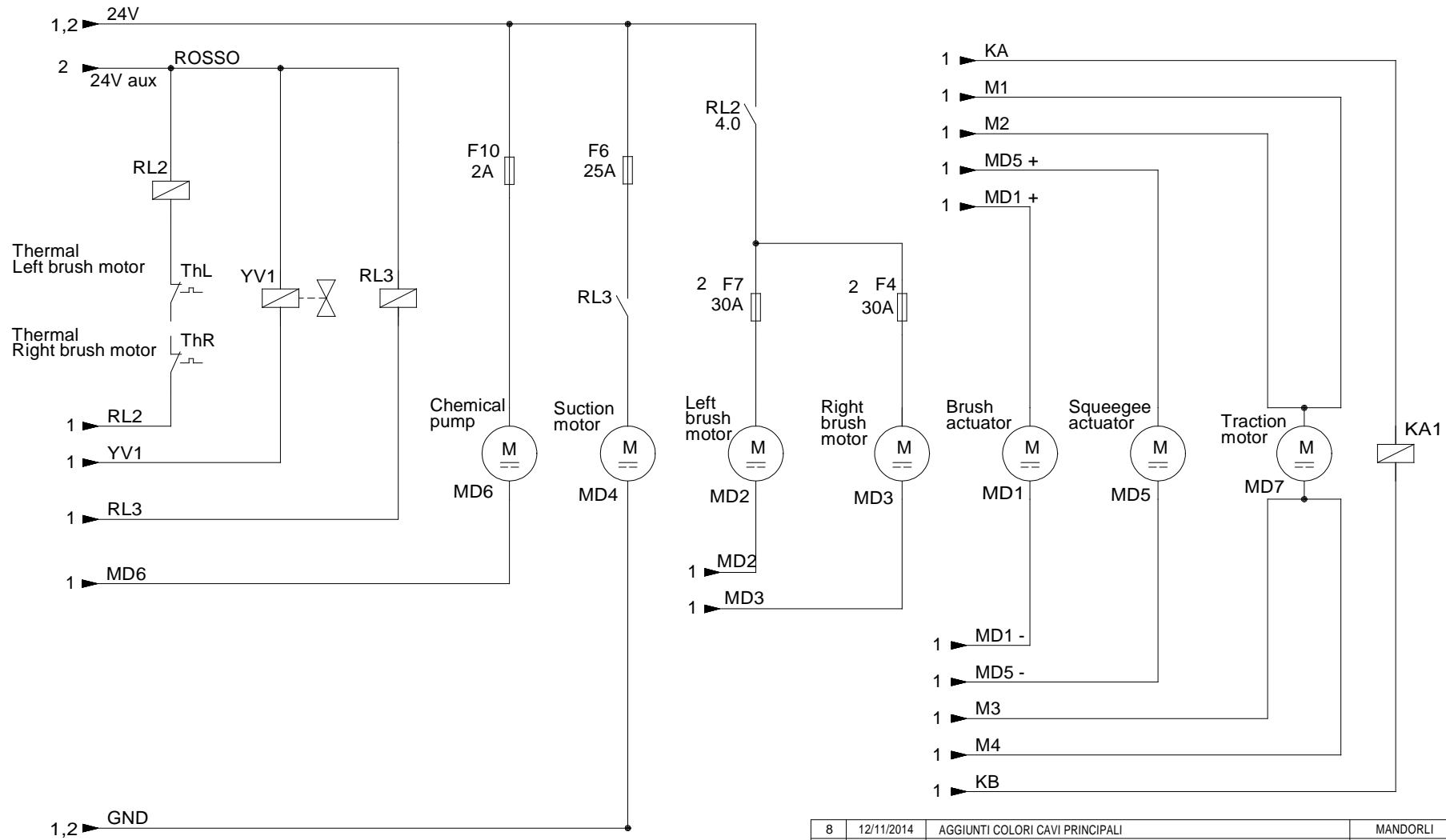
|                    |                               |           |              |               |                        |                          |
|--------------------|-------------------------------|-----------|--------------|---------------|------------------------|--------------------------|
| P.GREZZO: <b>0</b> | g                             | DERIVAZ.: | PIANO CONTR. | TRASMESSO IL: | FMT A30                | DISEG.: <b>AMANDORLI</b> |
| P.FINITO: <b>0</b> | g                             | STAMPO:   | FILE 3D:     | SCALA         |                        | FTECN: <b>RECCANELLO</b> |
| MATERIALE:         |                               | R :       | N/mm         |               |                        | DATA: <b>05/05/2009</b>  |
| STATO:             |                               | MAT.PR:   |              | SOSTITUISCE:  |                        | FOGLIO: 1/4              |
| TRATTAM.:          |                               | DUREZZA:  |              |               |                        | IE: <b>PLDC01844</b>     |
| FAMIGLIA           | DENOMINAZIONE                 |           |              |               | DIS. COD.              |                          |
|                    | <b>SCHEMA ELETTRICO CT110</b> |           |              |               | <b>186_1 PLDC01844</b> |                          |



== IL PRESENTE DISEGNO E' DI PROPRIETA' DELLA IP CLEANING S.p.a. - NE E' VIETATA LA RIPRODUZIONE O LA DIVULGAZIONE A TERMINI DI LEGGE ==




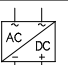
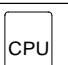
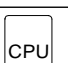

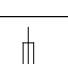
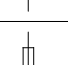

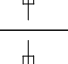






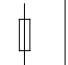
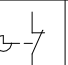
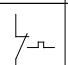
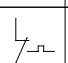
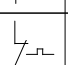
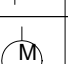
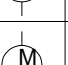
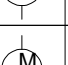
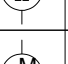
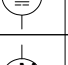
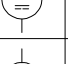

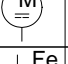


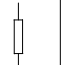
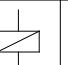
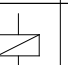

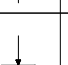
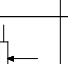
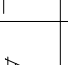
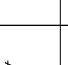


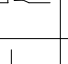
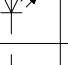
# MOTORS AND ACTUATORS

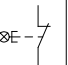




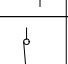
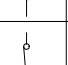
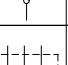
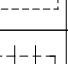


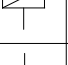
|            |                        |  |              |                 |
|------------|------------------------|--|--------------|-----------------|
| 8          | 12/11/2014             | AGGIUNTI COLORI CAVI PRINCIPALI  | MANDORLI     |                 |
| 7          | 15/10/2014             | AGGIORNATO SCHEMA  | MANDORLI     |                 |
| 6          | 16/01/2013             | CORRETTA ORIENTAZIONE LED  | MANDORLI     |                 |
| 5          | 08/10/2012             | CORRETTA CONNESSIONE FUSIBILE F2   | MANDORLI     |                 |
| 4          | 19/09/2012             | AGGIUNTO FUSIBILE 30A SU CONNESSIONE CB  | MANDORLI     |                 |
| 3          | 13/10/2011             | RIFATTO SCHEMA   | MANDORLI     |                 |
| 2          | 01/04/2010             | MOD. FUSIBILI F2 (EX 2A), F3 E F5 (EX 5A), F4 E F7 (EX 25A); AGGIUNTO SW6 E SW7. | CASALI       |                 |
| 1          | 07/10/2009             | MODIFICATA SCRITTA DA KM1 a RL1  | SALSI        |                 |
| IND.       | DATA                   | DESCRIZIONE MODIFICA   | FIRMA        | MT N°           |
| P.GREZZO:  | 0 g                    | DERIVAZ.:  | PIANO CONTR. | TRASMESSO IL:   |
| P.FINITO:  | 0 g                    | STAMPO:  | FILE 3D:     | SCALA           |
| MATERIALE: |                        | R :  | N/mm         | SCALA           |
| STATO:     |                        | MAT.PR:  |              | SOSTITUISCE:    |
| TRATTAM.:  |                        | DUREZZA:   |              |                 |
| FAMIGLIA   | DENOMINAZIONE          |  |              | DIS. COD.       |
|            | SCHEMA ELETTRICO CT110 |  |              | 186_1 PLDC01844 |

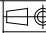


| Sim. Sym.  | Sigla Item | Descrizione Description            |
|--|------------|------------------------------------|
|    | BT1<br>1   | Battery 24V                        |
|    | CB<br>1    | OnBoard Battery charger (optional) |
|    | D1<br>1    | Main control board                 |
|    | D2<br>1    | Auxiliary control card             |
|    | F1<br>1    | Fuse 24V main line                 |
|    | F2<br>1    | Fuse 24V service line              |
|    | F3<br>1    | Fuse linear actuator               |
|    | F4<br>3    | Fuse right brush                   |
|    | F5<br>1    | Fuse linear actuator               |
|    | F6<br>3    | Fuse suction motor                 |
|    | F7<br>3    | Fuse left brush                    |
|   | F8<br>1    | Fuse 24V aux line                  |
|  | F9<br>1    | Fuse battery charge line           |

| Sim. Sym.   | Sigla Item | Descrizione Description    |
|---|------------|----------------------------|
|    | F10<br>3   | Fuse Chemical pump         |
|    | FC1<br>2   | Seat microswitch           |
|    | ThR<br>3   | Thermal Right brush motor  |
|    | ThL<br>3   | Thermal Left brush motor   |
|    | ThT<br>1   | Thermal traction motor     |
|    | MD1<br>3   | Brush actuator             |
|    | MD2<br>3   | Left brush motor           |
|    | MD3<br>3   | Right brush motor          |
|    | MD4<br>3   | Suction motor              |
|    | MD5<br>3   | Squeegee actuator          |
|    | MD6<br>3   | Chemical pump              |
|   | MD7<br>3   | Traction motor             |
|  | SQ1<br>2   | Slow down inductive sensor |

| Sim. Sym.  | Sigla Item | Descrizione Description            |
|--|------------|------------------------------------|
|   | R1<br>2    | Resistor                           |
|   | RL1<br>1   | Main contactor                     |
|   | RL2<br>3   | Brush motor relay                  |
|   | RL3<br>3   | Suction motor relay                |
|   | RP1<br>2   | Traction potentiometer (Throttle)  |
|   | RP2<br>2   | Speed reduction potentiometer      |
|   | S1<br>1    | Microswitch brush actuator UP      |
|   | S2<br>1    | Microswitch brush actuator DW      |
|   | S3<br>1    | Microswitch squeegee actuator UP   |
|   | S4<br>1    | Microswitch squeegee actuator down |
|   | HL1<br>2   | LED Curtis                         |
|  | HL2<br>2   | Rotating Beacon (optional)         |

| Sim. Sym.  | Sigla Item | Descrizione Description                  |
|--|------------|--|
|   | SW1<br>1   | E_Stop button                            |
|   | SW2<br>1   | ON / OFF key                             |
|   | SW3<br>1   | Fluid level dirty water                  |
|   | SW4<br>1   | Fluid level Clean water                  |
|   | SW5<br>1   | Fluid level chemical                     |
|   | SW6<br>1   | OnBoard charger safety switch (optional) |
|   | SW7<br>1   | Charger plug safety switch               |
|   | XS1<br>1   | Line Connector                           |
|   | XS2<br>1   | External battery charger                 |
|   | YV1<br>3   | Water electrovalve                       |
|   | RL4<br>1   | Inhibit relay                            |
|  | KA1<br>3   | Brake                                    |

|            |                        |  |              |   |
|------------|------------------------|--|--------------|---|
| 8          | 12/11/2014             | AGGIUNTI COLORI CAVI PRINCIPALI  | MANDORLI     |   |
| 7          | 15/10/2014             | AGGIORNATO SCHEMA  | MANDORLI     |   |
| 6          | 16/01/2013             | CORRETTA ORIENTAZIONE LED  | MANDORLI     |   |
| 5          | 08/10/2012             | CORRETTA CONNESSIONE FUSIBILE F2   | MANDORLI     |   |
| 4          | 19/09/2012             | AGGIUNTO FUSIBILE 30A SU CONNESSIONE CB  | MANDORLI     |   |
| 3          | 13/10/2011             | RIFATTO SCHEMA   | MANDORLI     |   |
| 2          | 01/04/2010             | MOD. FUSIBILI F2 (EX 2A), F3 E F5 (EX 5A), F4 E F7 (EX 25A); AGGIUNTO SW6 E SW7. | CASALI       |   |
| 1          | 07/10/2009             | MODIFICATA SCRITTA DA KM1 a RL1  | SALSI        |   |
| IND.       | DATA                   | DESCRIZIONE MODIFICA   | FIRMA        | MT N°   |
| P.GREZZO:  | 0 g                    | DERIVAZ.:  | PIANO CONTR. | TRASMESSO IL:  FMT A30 |
| P.FINITO:  | 0 g                    | STAMPO:  | FILE 3D:     | SCALA   |
| MATERIALE: |                        | R :  | N/mm         |   |
| STATO:     |                        | MAT.PR:  | SOSTITUISCE: |   |
| TRATTAM.:  |                        | DUREZZA:   |              |   |
| FAMIGLIA   | DENOMINAZIONE          |  |              | DIS. COD.   |
|            | SCHEMA ELETTRICO CT110 |  |              | 186_1 PLDC01844   |



== IL PRESENTE DISEGNO E DI PROPRIETA' DELLA IP CLEANING S.p.a. - NE E' VIETATA LA RIPRODUZIONE O LA DIVULGAZIONE A TERMINI DI LEGGE ==