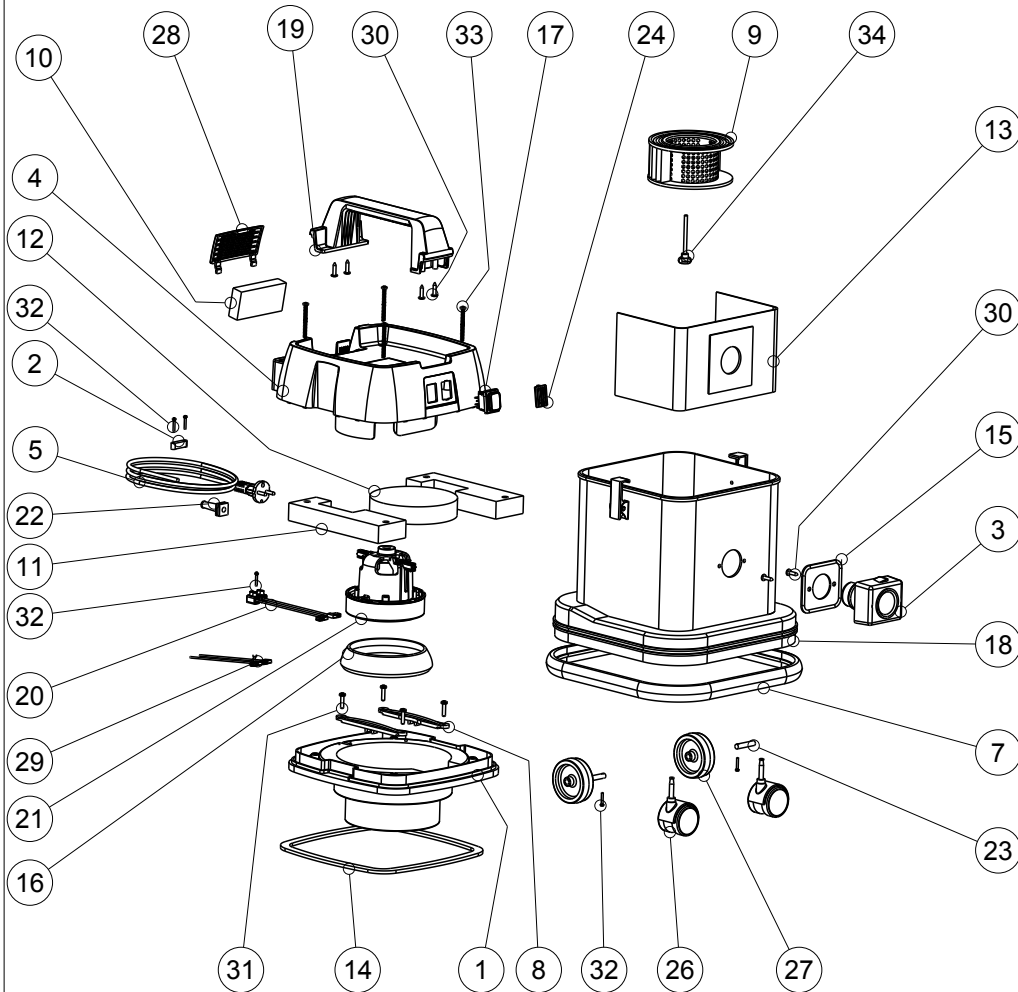


1 A

G7

15985110002

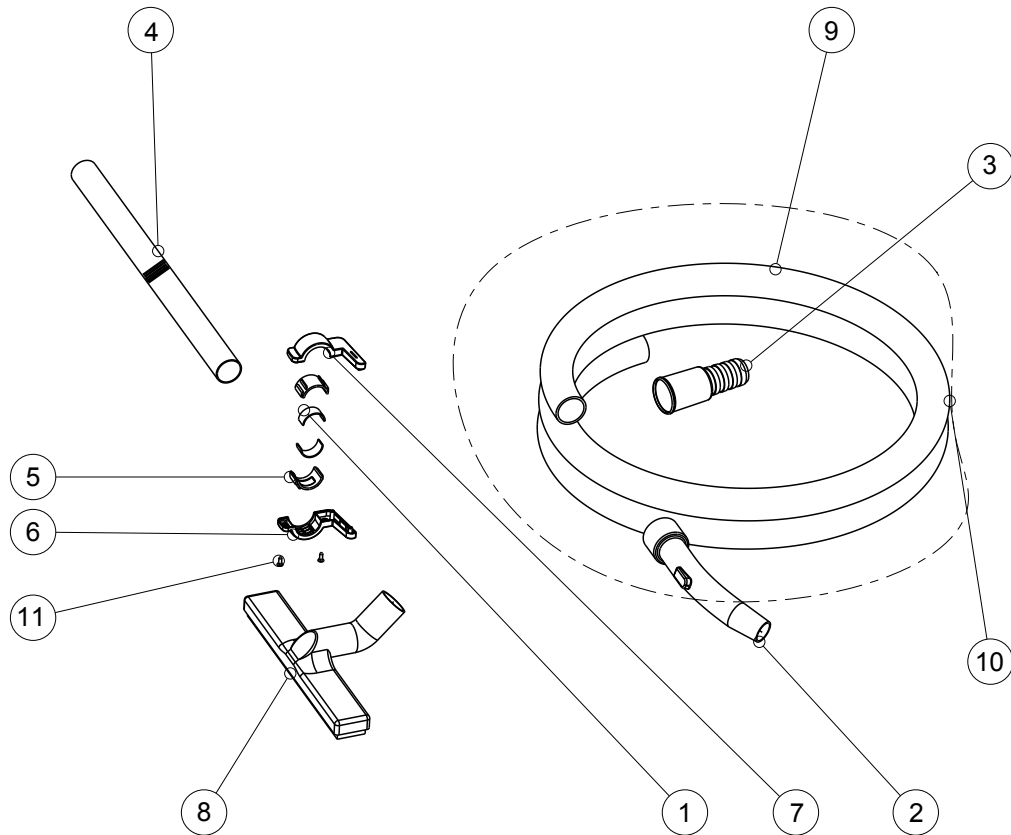


1 B

G7

15985110002

Pos	DESCRIZIONE	DESCRIPTION	DESCRIPTION	Q. tà	COD.	NOTE
1	Basamento AS5 CMP.	AS5 Base CMP.	–	1	6004002	
2	Bloccacavo a Ponticello	Strein Relief	–	1	2001340	
3	Bocchetta AS5 Black CMP	Intake AS5 Black CMP	–	1	6000204	
4	Calotta AS5 Restyling nera	Black Cover AS5 Restyling	–	1	2206400	
5	Cavo rete 2x1 Nero mt.10 EXP	Power cable 2x1 Black mt.10 EXP	Câble 2 X 1 Noir mt.10 EXP	1	2507036	
6	Chiusura AS5 MicroF	AS5 Closure MicroF	Fermeture du AS5 MicroF	2	6100010	
7	Fascia Paraurti nera	Black Bumper Band	–	1	2004252	
8	Ferma Motore AS5	Motor Holder AS5	–	2	2501924	
9	Cartuccia microfiltro hepa AS5	AS5 Hepa Cartridge Filter	–	1	2512709	
10	Filtro Uscita Aria AS 5 EVO	Exhaust Air Filter AS5 EVO	–	1	3000615	
11	Fireflex Laterale Testa AS5 EVO	Lateral Cooling Fireflex AS5 EVO Head	–	2	3000613	
12	Fireflex Raff. Calotta AS5 EVO	Cooling Fireflex AS5 EVO Head	–	1	3000612	
13	Fleece filter AS5 (10 pz)	Fleece Filter Bag AS5 (10 pcs)	–	1	6596010	
14	Guarnizione Basamento AS5	Gasket Base AS5	–	1	2502403	
15	Guarnizione Bocchetta AS5	Intake Gasket AS5	–	1	2502556	
16	Guarnizione Mousse AS5 N. GEN.	AS5 new G. Rubber Gasket	–	1	2502504	
17	Interruttore B4 Mask Rosso	Switch B4 Mask Red	–	1	2506252	
18	Involucro AS5 nero con Inserti e Fascia nera	Black Tank AS5 with Inserts and Black bumper	–	1	3059503	
19	Maniglia AS5 Restyling Nera	Handle AS5 Restyling Black	–	1	2200500	
20	Morsetto cablato AS5 EVO	AS5 EVO wires	–	1	6100195	
21	Motore Cup 230V	Cup Motor 230V	–	1	11-501	
22	Passacavo per testa piccola	Black cable gland for little motor head	–	1	855000210	
23	Perno ruota posteriore AS5	Rear wheel pin AS5 Nylon	–	2	2510341	
24	Tappo pulsante nero	Black button cap	–	1	34.0070.00	
26	Ruota Pivottante D50	Wheel D.50	–	2	2510151	
27	Ruota TG 75	Wheel TG75	–	2	2510094	
28	Sportellino AS5 Restyling Nero	Flap AS5 Restyling Black	–	1	2501127	
29	Trecciola marrone	Brown Wire	–	2	2506526	
30	Vite autofilettante 5X22	Self-tapping screw 5X22	Vis autotaraudante 5X22	6	2508591	
31	Vite autofilettante 5X22 SP	Self-tapping screw 5X22 SP	Vis autotaraudante 5X22 SP	4	2508590	
32	Vite TCC 3X20 SP ZB	Screw TCC 3X20 SP ZB	Vis TCC 3X20 SP ZB	5	2508500	
33	Vite TCC 5x55	Screw TCC 5x55	–	4	2508580	
34	Volantino D20 M5	Knob D 20 M5	–	1	2506307	



Pos	DESCRIZIONE	DESCRIPTION	DESCRIPTION	Q. tà	COD.	NOTE
1	Gomma AD.19X60X1	Rubber AD.19X60X1	-	2	3000009	
2	Impugnatura Curva D.32 Nera	Black Curve Handle D.32	-	1	MK-030	
3	Innesto Tubo AS5 Nero	Clutch Flex Hose AS5	-	1	2005363	
4	Prolunga telescopica alu.	Telescopic extension	-	1	MK-022	
5	Riduzione D.32 Ghi AS2/5/6	Reduction D.32 Ghi AS2/5/6	-	2	2003620	
6	Semiguscio Dx Nero x Att.AS2/5/6	Half-shell Right Black AS2/5/6	-	1	2003612	
7	Semiguscio Sx Nero X Att.AS2/5/6	Half-shell Left Black AS2/5/6	-	1	2003602	
8	Spazzola D320 D.32	Brush D320 D.32	-	1	2511523	
9	Tubo Flessibile Nero D.33 mt.2	Black Flex Hose D33 2mt	-	1	2511200	
10	Tubo Flex AS5 D.32 + Impugnatura nera	Flex Hose AS5 D.32 + Black Handle	-	1	6010527	
11	Vite TSP 4X12 PAT ZNB	Screw TSP 4X12 PAT ZNB	Vite TSP 4X12 PAT ZNB	2	2508523	