

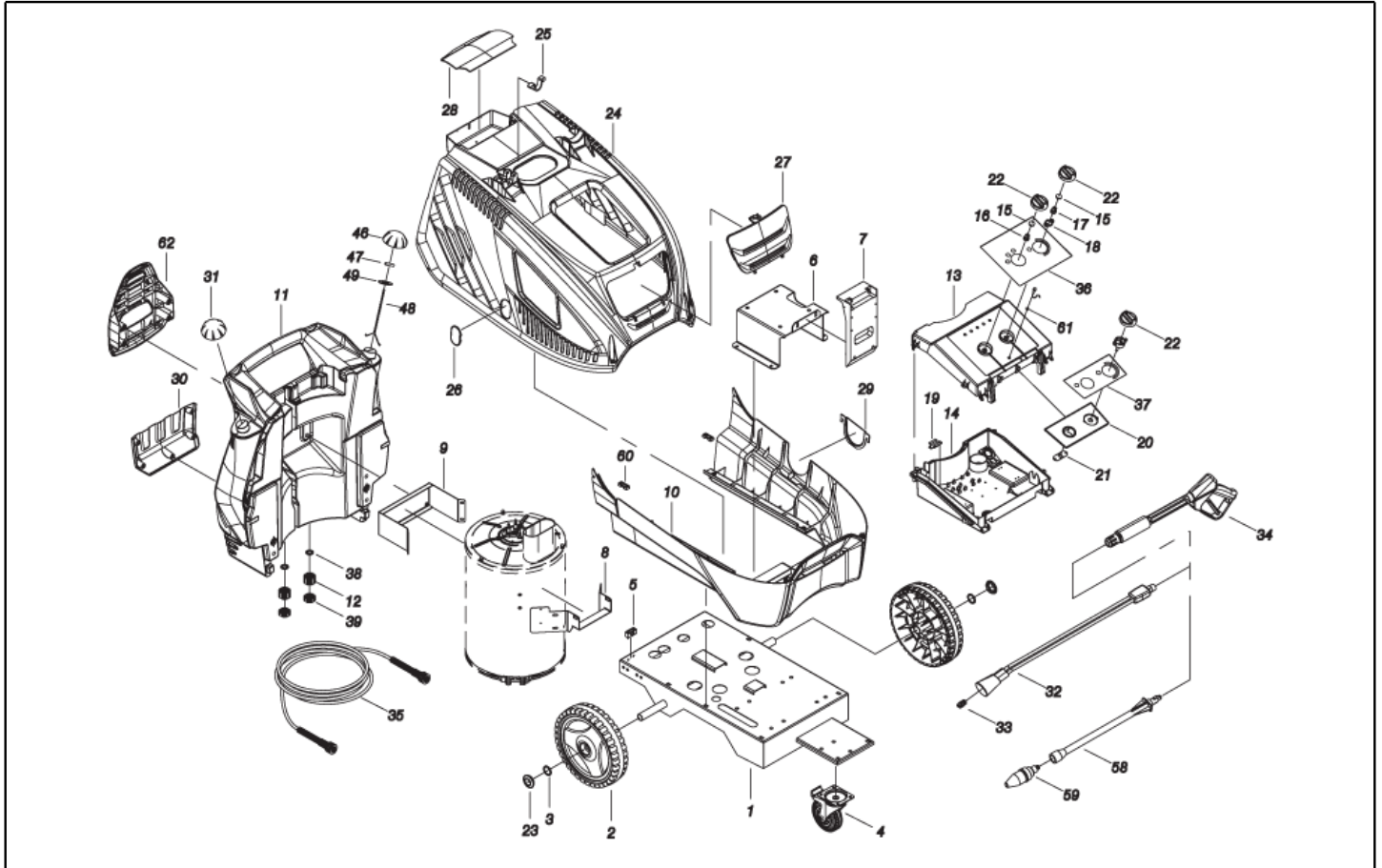


**IPC**

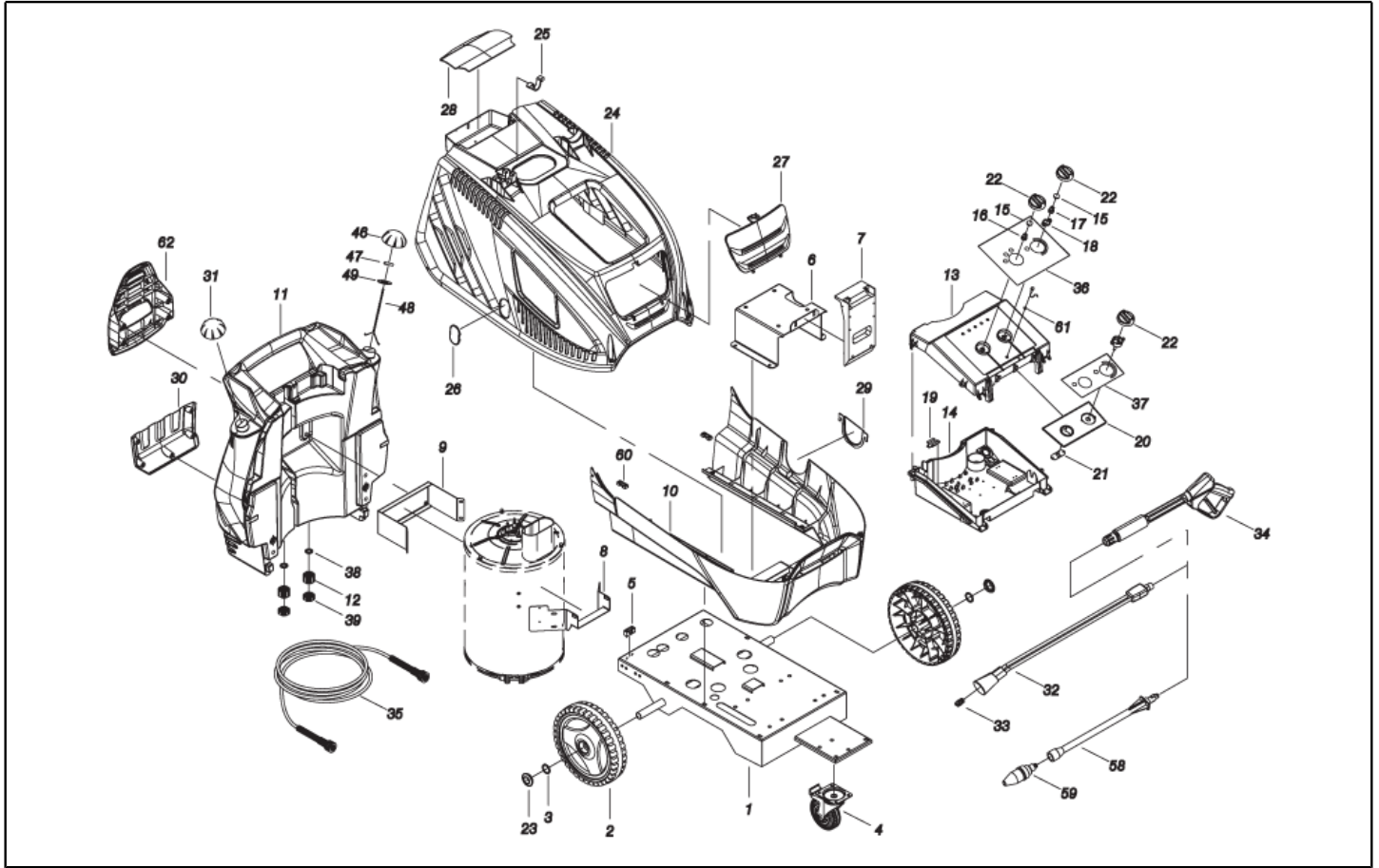
## **Spare Parts List**

Ref: IDAC40650

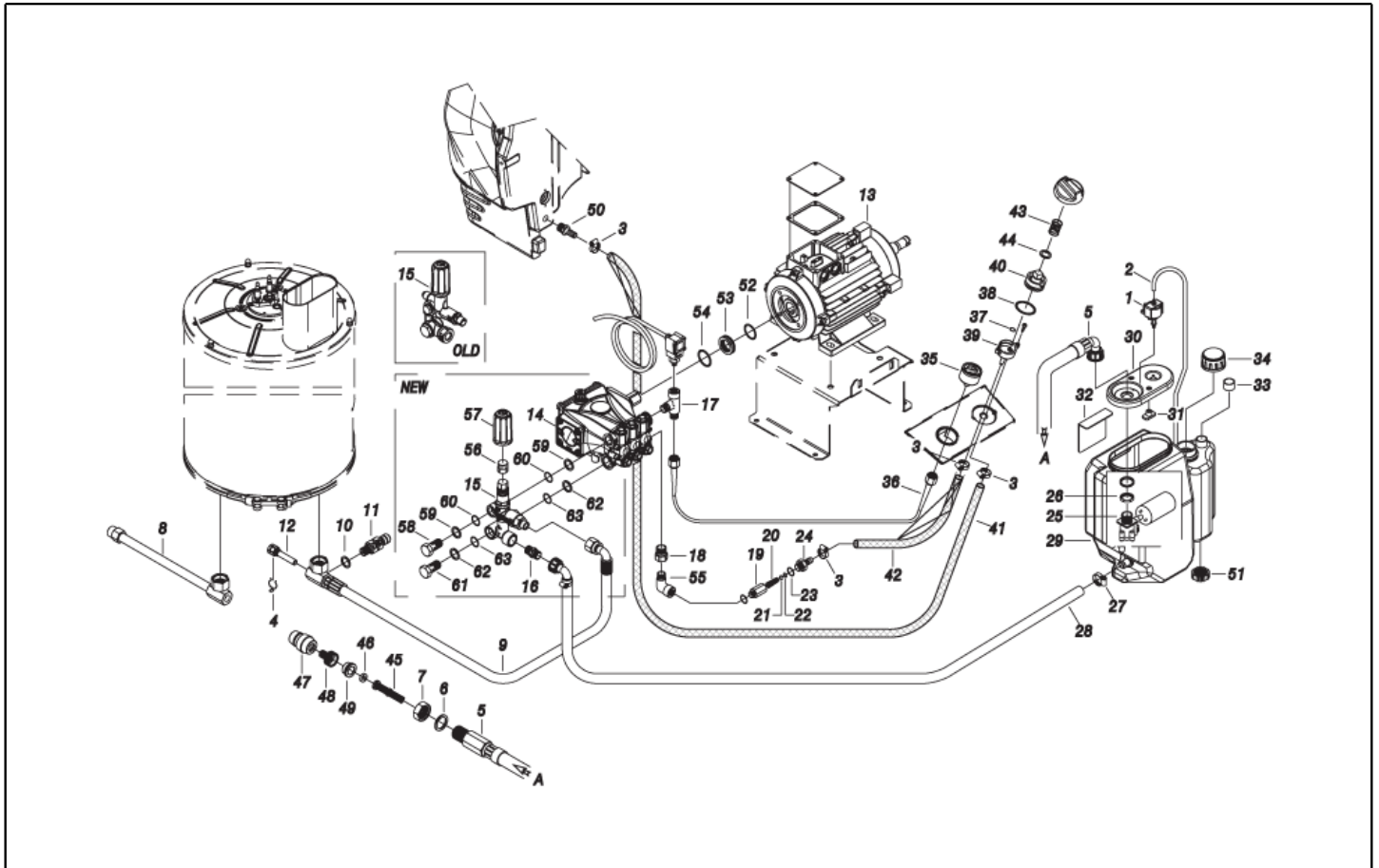
Model: PWH 180/14 TRI



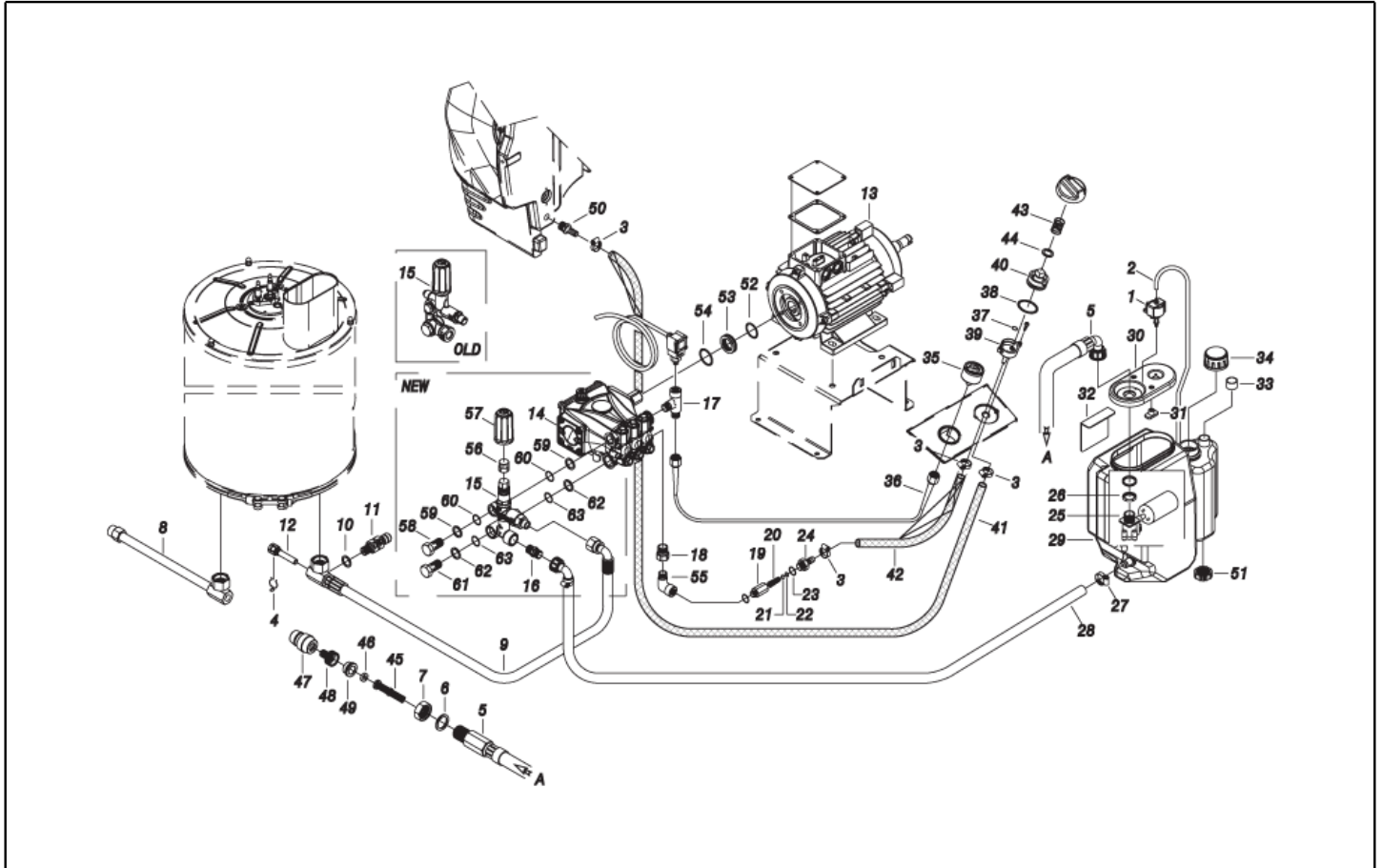
| Ref. K | Part N.   | Customer Part N. | Description                            | Quantity | Validity   |            | Price |
|--------|-----------|------------------|--|----------|------------|------------|-------|
|        |           |                  |  |          | From       | To         |       |
| 0001   | LAFN40558 |                  | CHARIOT PW-H35/3W BK.                  | 1,00     |            |            | --    |
| 0002   | RTRT40045 |                  | ROUE D.300-D.25 FLY-IPC BK/GRN         | 2,00     | 01/10/2015 |            | --    |
| 0003   | VTRS09813 | 00009813         | RONDELLE D.25                          | 2,00     |            |            | --    |
| 0004   | RTRT13708 | 00013708         | ROUE PIVOTTANTE D.125 P. MZ.PLS        | 1,00     |            |            | --    |
| 0005   | MEVR20906 | 00020906         | COLLIER DE SER. KSM                    | 1,00     |            |            | --    |
| 0006   | LAFN40550 |                  | SUPPORT MOTEUR PW-H35 6.0Hp ZC.        | 1,00     |            |            | --    |
| 0007   | MPVR33534 | 00033534         | SUPPORT BOITE MST PA 66                | 1,00     |            |            | --    |
| 0008   | LAFN40563 |                  | SUPPORT PW-H35 PM ZC.                  | 1,00     |            | 30/06/2016 | --    |
| 0008   | LAFN40685 |                  | SUPPORT PW-H35/7.5 PS.ZC.              | 1,00     | 01/07/2016 |            | --    |
| 0009   | LAFN40835 |                  | BRIDE PW-H35 PM.2 ZC                   | 1,00     | 16/11/2015 |            | --    |
| 0010   | MPVR40591 |                  | COUVERTURE NOIR PW-H35 INF.P/2P-PM PP  | 1,00     | 01/08/2015 |            | --    |
| 0011   | MPVR40519 |                  | RESERVOIR PW-H35 PEHD BK.              | 1,00     |            |            | --    |
| 0012   | PVVR11806 | 00011806         | BOUCHON ECHAPP. FLL                    | 2,00     |            |            | --    |
| 0013   | MPVR40736 |                  | COUVERCLE BOITE PW-H35 C/F.Led ABS BK. | 1,00     | 01/04/2015 |            | --    |
| 0014   | MPVR40541 |                  | BOITE CONTROLE PW-H35 ABS BK.          | 1,00     | 01/04/2015 | 09/04/2016 | --    |
| 0014   | MPVR40836 |                  | BOITE CONTROLE PW-H35 C/F.Fs.ABS BK.   | 1,00     | 10/04/2016 |            | --    |
| 0015   | GUGO25527 | 00025527         | O-RING D. 14 X 3 NBR 70SH              | 2,00     | 01/04/2015 |            | --    |
| 0016   | MPVR23482 | 00023482         | TALON TEC. TUV                         | 1,00     | 01/04/2015 |            | --    |
| 0017   | MPVR23484 | 00023484         | TALON THERM.KSM TUV                    | 1,00     | 01/04/2015 |            | --    |
| 0018   | MPVR41903 | 00041903         | EPAISSEUR TERM.IM.PA66                 | 1,00     | 01/04/2015 |            | --    |
| 0019   | LAFN46067 | 00046067         | SUPPORT L.60 P176                      | 2,00     | 01/04/2015 |            | --    |
| 0020   | MPVR40542 |                  | PANNEAU ANTER. PW-H35 ABS BK.          | 1,00     |            |            | --    |
| 0021   | LAFN40561 |                  | TABEAU TERM. PW-H35 ZC.                | 1,00     |            |            | --    |
| 0022   | MPVR49057 | 00049057         | POIGNEE NOIRE P176-M.RACE PA6          | 3,00     |            |            | --    |
| 0023   | MPVR40734 |                  | ENJOLIVEUR D.50 G-48/IPC GR.368C       | 2,00     | 01/10/2015 |            | --    |
| 0024   | MPVR40525 |                  | COUVERTURE VERT PW-H35 SUP.PP GR.368C  | 1,00     |            |            | --    |
| 0024   | FSVR62795 |                  | PLAQUETTE DI FISSAGGIO RPD0074         | 2,00     |            |            | --    |
| 0025   | MPVR40485 |                  | CAOUTCHOUC PW-H35 15-20BK.             | 1,00     |            |            | --    |
| 0025   | MPVR40534 |                  | PIVOT PW-H35 PP BK.                    | 2,00     |            |            | --    |
| 0026   | MPVR40539 |                  | GUICHET PW-H35 PPL NT.                 | 1,00     |            |            | --    |
| 0027   | MPVR40527 |                  | GUICHET PW-H35 PPL GR.368C             | 1,00     |            | 31/12/2014 | --    |
| 0027   | MPVR40660 |                  | GUICHET PW-H35 PPL BK.                 | 1,00     | 01/01/2015 |            | --    |
| 0028   | MPVR40529 |                  | GUICHET PW-H35 PPL V.368C PST          | 1,00     |            | 31/12/2014 | --    |
| 0028   | MPVR40661 |                  | GUICHET PW-H35 PPL BK. PST             | 1,00     | 01/01/2015 |            | --    |
| 0029   | MPVR40532 |                  | GUICHET PW-H35 PPL BK.INF.             | 1,00     |            |            | --    |
| 0030   | MPVR40533 |                  | PORTE-OUTIL PW-H35 PP BK.              | 1,00     |            |            | --    |
| 0031   | MPVR45426 | 00045426         | BOUCHON RESERV. P176 PEHD              | 1,00     |            |            | --    |
| 0032   | LCPR40087 |                  | RALLONGE P 70 -P20.IX700 M22 M         | 1,00     |            |            | --    |
| 0033   | UGLN49986 | 00049986         | BUSE LECH 1/4 1504                     | 1,00     |            |            | --    |
| 0034   | IPPR40010 |                  | POIGNEE G 5100+P.330 +M22 SW.M V       | 1,00     |            | 29/02/2016 | --    |
| 0034   | IPPR40020 |                  | POIGNEE G 6000+P.330 +M22 SW.M V       | 1,00     | 01/03/2016 |            | --    |
| 0035   | TBAP25324 | 00025324         | TUYAU H.P. R1 MT 10 5/16" C/2 IRV ZC   | 1,00     |            |            | --    |
| 0036   | ETET40747 |                  | ETICHETTE PW-H35 EL.SER.               | 1,00     | 01/04/2015 |            | --    |
| 0037   | ETET40556 |                  | ETICHETTE PW-H35 IDR.                  | 1,00     |            |            | --    |



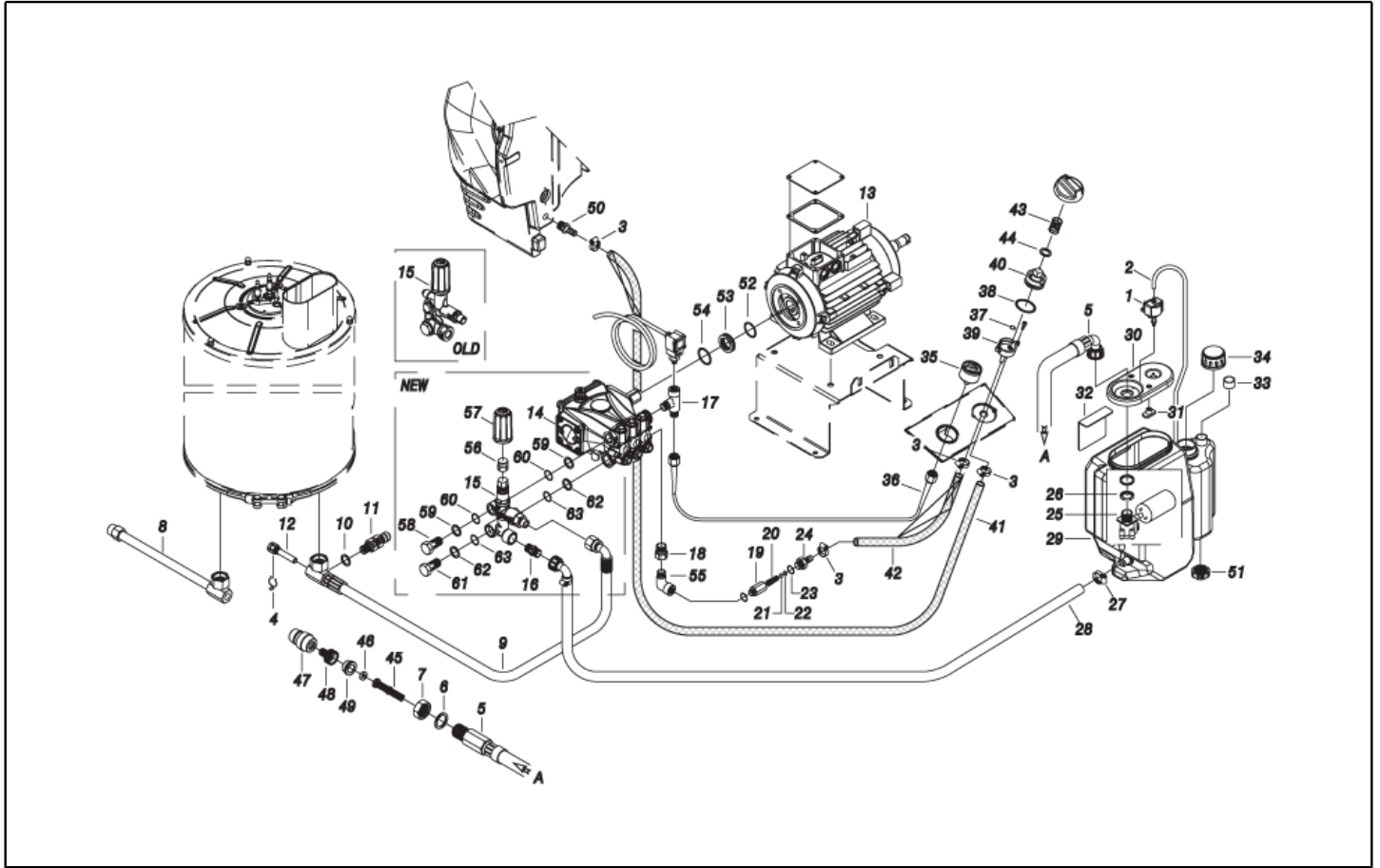
| Ref. K | Part N.   | Customer Part N. | Description                        | Quantity | Validity   |    | Price |
|--------|-----------|------------------|------------------------------------|----------|------------|----|-------|
|        |           |                  |                                    |          | From       | To |       |
| 0038   | GUGO11489 | 00011489         | GARNITURE D.22X1,5                 | 2,00     |            |    | --    |
| 0039   | MPVR20187 | 00020187         | FRETTE M 39 X 3                    | 2,00     |            |    | --    |
| 0046   | MPVR40401 |                  | BOUCHON RESERV. P176 PEHD BL. C/F. | 1,00     |            |    | --    |
| 0047   | LAFN40498 |                  | PIVOT D. 6 X 12-15 IX              | 1,00     |            |    | --    |
| 0048   | VTVR40026 |                  | CHAINETTE 13MG. INX L=220 G.V-MSC. | 1,00     |            |    | --    |
| 0049   | VTRS07728 | 00007728         | RONDELLE D. 6 INX                  | 1,00     |            |    | --    |
| 0060   | MPVR28554 | 00028554         | COLLIER DE SER. ELT                | 2,00     | 04/02/2015 |    | --    |
| 0060   | VTVT13234 | 00013234         | VIS TCB-TC 3.5X19 NIK              | 4,00     | 04/02/2015 |    | --    |
| 0061   | GUGO40058 |                  | JOINT D. 7.7-11 X1 NBR 70SH        | 1,00     | 01/04/2015 |    | --    |
| 0062   | MPVR40701 |                  | SUPPORT TUYAU PW-H35 PP BK.        | 1,00     | 01/04/2015 |    | --    |



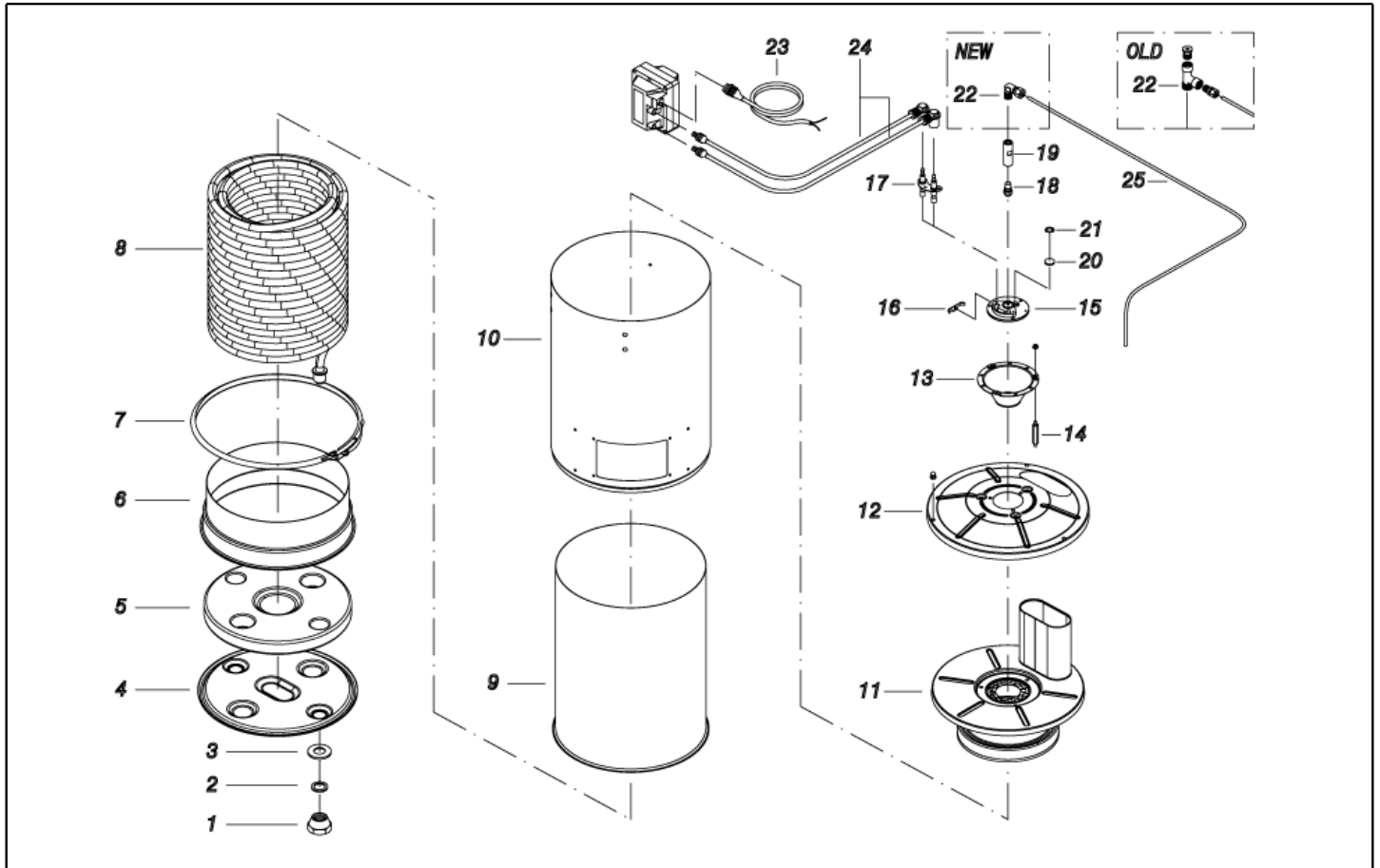
| Ref. K | Part N.   | Customer Part N. | Description                              | Quantity | Validity   |            | Price |
|--------|-----------|------------------|--|----------|------------|------------|-------|
|        |           |                  |  |          | From       | To         |       |
| 0001   | MEPD45940 | 00045940         | POMPE DOSEUSE NME 1 24V 50/60HZ          | 1,00     |            |            | --    |
| 0002   | TBBP00058 | 00000058         | TUYAU B.P. D. 4- 7                       | 0,60     |            |            | --    |
| 0003   | FSVR00427 | 00000427         | COLLIER D. 12 CLIC 66-110                | 4,00     |            |            | --    |
| 0004   | MLML02623 | 00002623         | RESSORT IMT                              | 1,00     |            |            | --    |
| 0005   | TBBP40064 |                  | TUYAU B.P. L=1060 3/4F90°-1/2M 0°        | 1,00     |            |            | --    |
| 0006   | RCDS49875 | 00049875         | FRETTE 1/2"X 6 CH.27 OT.                 | 1,00     |            |            | --    |
| 0007   | VTRS00549 | 00000549         | RONDELLE D.21,5X27X1.5 (1/2) RM          | 1,00     |            |            | --    |
| 0008 S | RCDS21118 | 00021118         | RACCORD KSM                              | 1,00     |            |            | --    |
| 0008 S | RCDS21119 | 00021119         | ECROU KSM                                | 1,00     |            |            | --    |
| 0008 S | RCDS40045 |                  | RACCORD G 3/8F -1/4 +M14X1 C.27          | 1,00     |            |            | --    |
| 0008 S | RCDS40164 |                  | RACCORD L=285 2X3/8M CN. ZC.             | 1,00     |            |            | --    |
| 0008 S | RCIN03753 | 00003753         | RACCORD MALE M22-3/8 M-FA                | 1,00     |            |            | --    |
| 0009   | TBAP40115 |                  | TUYAU D.JONCT. 3/ 8 R1 L=685 3/8F90-PM26 | 1,00     |            |            | --    |
| 0010   | VTRS40960 | 00040960         | RONDELLE D.13.5X19 X4 AL.                | 1,00     |            |            | --    |
| 0011   | VVSC47427 | 00047427         | SOUPAPE MG 1000 G1/4M-M D.8 250B         | 1,00     |            |            | --    |
| 0012   | RCDS00593 | 00000593         | RECUPERATION IM 0-120 L=50               | 1,00     |            |            | --    |
| 0013   | MOTR40044 |                  | MOTEUR 3PH H35 HP 6 400-50 4P ED         | 1,00     |            |            | --    |
| 0014   | PPAP40065 |                  | POMPE RC 13.17 DX N                      | 1,00     |            |            | --    |
| 0015   | VVAZ40061 |                  | SOUPAPE AR M.MATIC 4/B-RC+TS SI.3        | 1,00     |            | 31/03/2014 | --    |
| 0015   | VVAZ40066 |                  | SOUPAPE VRZ-RC +TSS L.90 SI              | 1,00     | 01/04/2014 | 29/02/2016 | --    |
| 0015   | VVAZ40079 |                  | SOUPAPE VRF-2 AR-R PPf SI/I              | 1,00     | 01/03/2016 |            | --    |
| 0016   | RCDS87610 | 00087610         | NIPPLE 3/4 - 1/2 CB D.13.0               | 1,00     |            |            | --    |
| 0017   | RCDS40177 |                  | RACCORD T 3/8M - 1/4 M/F OT. CN.         | 1,00     | 01/09/2013 |            | --    |
| 0017   | RCDS40589 | 00040589         | RACCORD T 3/8M - 1/4 M/F OT.             | 1,00     |            | 31/08/2013 | --    |
| 0018   | RCVR02606 | 00002606         | REDUCTION 1/2-1/4 M/F                    | 1,00     |            |            | --    |
| 0019   | RCDS46072 | 00046072         | CORPS VALVE N/R 1/4F-1/4 P176 OT         | 1,00     |            |            | --    |
| 0020   | MLML21505 | 00021505         | RESSORT D. 8 X5 X0.3                     | 1,00     |            |            | --    |
| 0021   | SFVR04274 | 00004274         | BILLE D. 7/32                            | 1,00     |            |            | --    |
| 0022   | GUGO01055 | 00001055         | O-RING D. 5.28 X 1.78 VIT 70SH           | 1,00     |            |            | --    |
| 0023   | GUGO01036 | 00001036         | O-RING D. 10.82 X 1.78 NBR 70SH          | 1,00     |            |            | --    |
| 0024   | RCDS10546 | 00010546         | SIEGE SOUPAPE 1/4M + PG. D.3-7.5 OTT     | 1,00     |            |            | --    |
| 0025   | RCGR89343 |                  | FLOTTEUR MTM 3/4 PP. S/F. +ADP.245       | 1,00     |            |            | --    |
| 0026   | RCVR49974 | 00049974         | FRETTE 3/4" X 4 NIK                      | 1,00     | 01/04/2015 |            | --    |
| 0027   | FSVR00431 | 00000431         | COLLIER D. 16-25                         | 1,00     | 01/04/2015 |            | --    |
| 0028   | TBBP40063 |                  | TUYAU B.P. L=330 3/4F 90° -LIB.          | 1,00     | 01/04/2015 |            | --    |
| 0029   | MPVR40517 |                  | RESERVOIR EAU P190-35 PEHD BK.           | 1,00     | 01/04/2015 |            | --    |
| 0030   | MPVR40516 |                  | COUVERC.RES. P190-35 PA6 BL.             | 1,00     | 01/04/2015 |            | --    |
| 0031   | MPVR89078 |                  | PLAQUETTE P190 PA6 BL.                   | 2,00     | 01/04/2015 |            | --    |
| 0032   | LAFN89079 |                  | PANNEAU P190 INX                         | 1,00     | 01/04/2015 |            | --    |
| 0033   | MPVR18582 | 00018582         | BOUCHON D.22                             | 1,00     | 01/04/2015 |            | --    |
| 0034   | MPVR40739 |                  | BOUCHON BAC KSM D.36.2                   | 1,00     | 01/04/2015 |            | --    |
| 0035   | MNMN18650 | 00018650         | MANOMETRE 0-300 D.40                     | 1,00     |            |            | --    |
| 0036   | TBAP40113 |                  | TUYAU POLYAMIDE L=420 1/4F GR.-1/8F MN.  | 1,00     |            |            | --    |
| 0037   | GUGO08071 | 00008071         | O-RING D. 4.48 X 1.78 NBR 70SH           | 1,00     |            |            | --    |



| Ref. K | Part N.   | Customer Part N. | Description                      | Quantity | Validity   |    | Price |
|--------|-----------|------------------|----------------------------------|----------|------------|----|-------|
|        |           |                  |                                  |          | From       | To |       |
| 0038   | GUGO12183 | 00012183         | O-RING D. 23.4 X 3.53 VIT 70SH   | 1,00     |            |    | --    |
| 0039   | RCGR08069 | 00008069         | CORPS ROBINET DET. PRT           | 1,00     |            |    | --    |
| 0040   | RCGR08070 | 00008070         | REGULATEUR PRT                   | 1,00     |            |    | --    |
| 0041   | TBBP00051 | 00000051         | TUYAU DETERGENT D. 6-12          | 1,20     |            |    | --    |
| 0042   | TBBP00051 | 00000051         | TUYAU DETERGENT D. 6-12          | 0,60     |            |    | --    |
| 0043   | MLML08068 | 00008068         | RESSORT D.1,5 L.23               | 1,00     |            |    | --    |
| 0044   | VTRS00542 | 00000542         | RONDELLE D.14X20                 | 1,00     |            |    | --    |
| 0045   | FTAC30214 | 00030214         | FILTRE D.15X67                   | 1,00     |            |    | --    |
| 0046   | GUGO37736 | 00037736         | JOINT D. 10- 19 X 5 70SH         | 1,00     |            |    | --    |
| 0047   | RCVR29600 | 00029600         | PRISE PTC 3/4 F                  | 1,00     |            |    | --    |
| 0048   | RCVR29602 | 00029602         | RACCORD D. 1/2"-5/8" PTC         | 1,00     |            |    | --    |
| 0049   | RCVR37806 | 00037806         | REDUCTION PTC 3/4-1/2 M/F        | 1,00     |            |    | --    |
| 0050   | RCVR40113 |                  | RACC. P. TUYAU 1/8 M D. 5- 7 NIK | 2,00     |            |    | --    |
| 0051   | MPVR20187 | 00020187         | FRETTE M 39 X 3                  | 1,00     |            |    | --    |
| 0052   | GUGO21339 | 00021339         | O-RING D. 29.82 X 2.62 VIT 70SH  | 1,00     |            |    | --    |
| 0053   | RCDS25578 | 00025578         | DOUILLE IP WW141 OT.             | 1,00     |            |    | --    |
| 0054   | GUGO21337 | 00021337         | O-RING D. 25.07 X 2.62 VIT 70SH  | 1,00     |            |    | --    |
| 0055   | RCVR00573 | 00000573         | COUDE 1/4" M/F A10               | 1,00     |            |    | --    |
| 0056   | GUGO89386 |                  | O-RING D. 30 X 5 NBR 70SH        | 1,00     | 01/04/2015 |    | --    |
| 0056   | PVVR40273 |                  | ADAPTEUR VRF-2 RG.               | 1,00     | 01/03/2016 |    | --    |
| 0057   | MPVR40700 |                  | CONNECTEUR A.CLCL PW-H35 PP NT.  | 1,00     | 01/04/2015 |    | --    |
| 0057   | MPVR40589 |                  | POIGNEE NOIRE ST 260 IPC         | 1,00     | 01/03/2016 |    | --    |
| 0058   | MPVR40187 |                  | BOUCHON RESERV. P215 PEHD C/F.   | 1,00     | 01/04/2015 |    | --    |
| 0058   | RCDS40172 |                  | VIS CREUSE 3/8 VRF-2 OT 4F.      | 1,00     | 01/03/2016 |    | --    |
| 0059   | VTRS00548 | 00000548         | RONDELLE D.17,5X23X1,5 (3/8)RM   | 2,00     | 01/03/2016 |    | --    |
| 0060   | GUGO03510 | 00003510         | O-RING D. 12.37 X 2.62 NBR 70SH  | 2,00     | 01/03/2016 |    | --    |
| 0061   | RCDS40171 |                  | VIS CREUSE G 1/2 VRF-2 OT. 2F.   | 1,00     | 01/03/2016 |    | --    |
| 0062   | VTRS00549 | 00000549         | RONDELLE D.21,5X27X1,5 (1/2) RM  | 1,00     | 01/03/2016 |    | --    |
| 0063   | GUGO01048 | 00001048         | O-RING D. 15.88 X 2.62 NBR 70SH  | 2,00     | 01/03/2016 |    | --    |

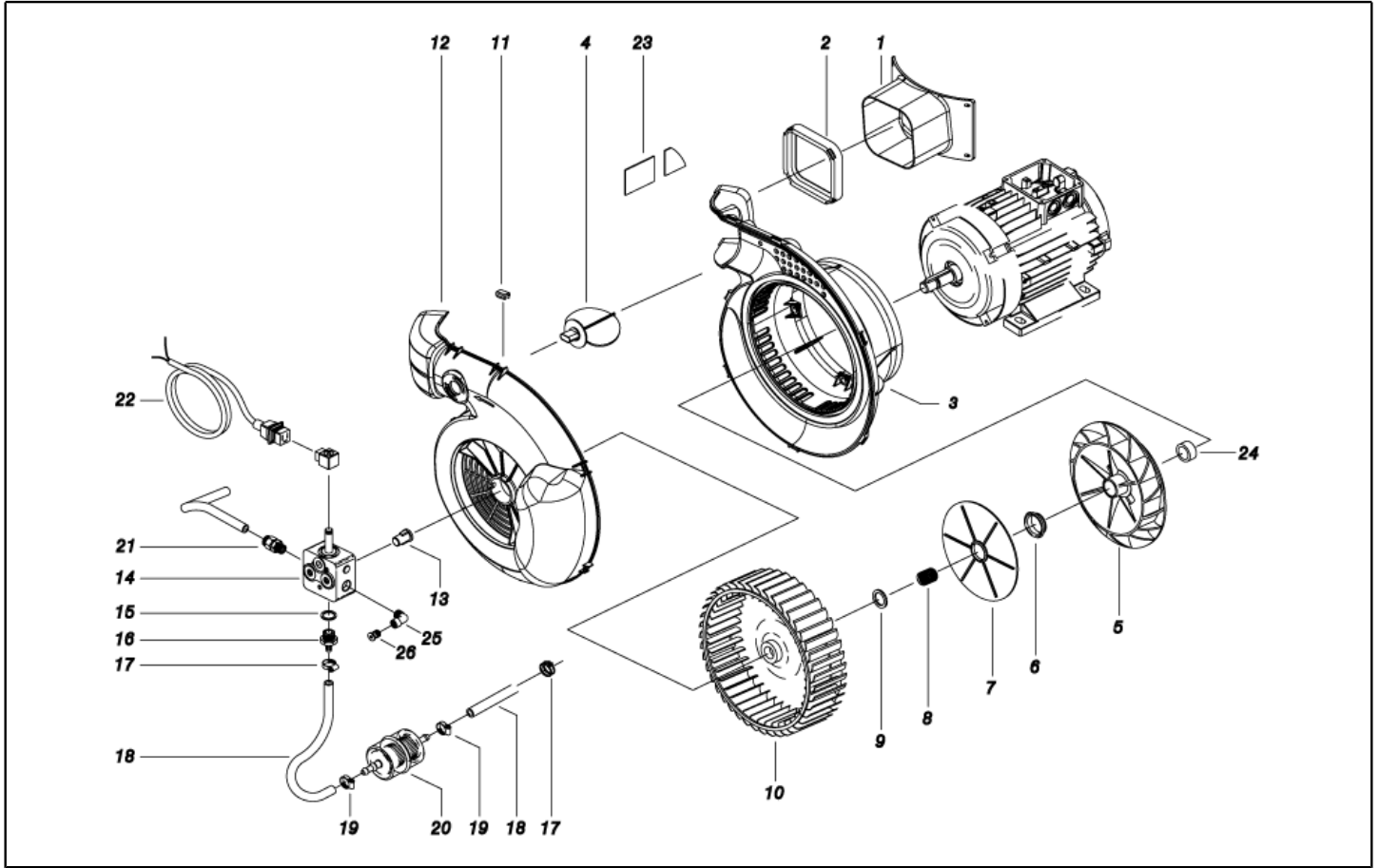


| Ref. Part N. | Cust. Part N.         | Description | Reference                | Price |
|--------------|-----------------------|-------------|--------------------------|-------|
| KTRI40257    | KIT P 13- 9 PW-H35/PM |             | 0008 0008 0008 0008 0008 | --    |



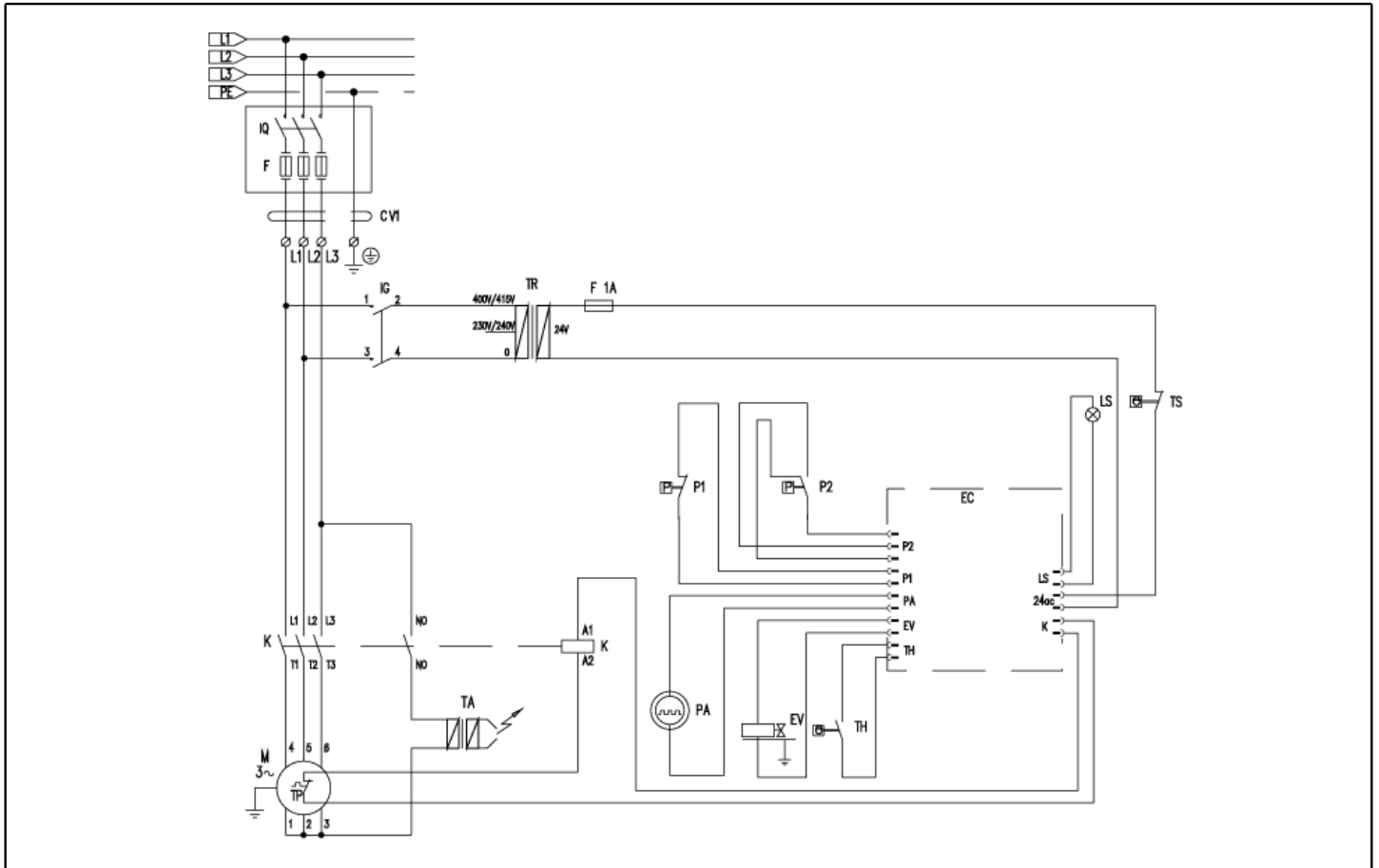
| Ref. K | Part N.   | Customer Part N. | Description                              | Quantity | Validity   |            | Price |
|--------|-----------|------------------|--|----------|------------|------------|-------|
|        |           |                  |  |          | From       | To         |       |
| 0001   | RCDS21120 | 00021120         | FRETTE M 26 X 1,5                        | 2,00     |            |            | --    |
| 0002   | GUGO21222 | 00021222         | O-RING D. 15.54 X 2.62 VIT 80SH          | 2,00     |            |            | --    |
| 0003   | GUVR21021 | 00021021         | BAGUE ANTIEXTR. D. 21 X17 TEF.           | 2,00     |            |            | --    |
| 0004   | LAFN44149 | 00044149         | FOND CHAUDIERE P176                      | 1,00     |            |            | --    |
| 0005   | ITTE44175 | 00044175         | FOND P176 C.TE                           | 1,00     |            |            | --    |
| 0006   | LAFN44151 | 00044151         | BANDE P176 INX                           | 1,00     |            |            | --    |
| 0007   | LAFN40037 |                  | BAGUE D.342 P176 ZN 2V.CPL.              | 1,00     |            |            | --    |
| 0008   | LAGR44156 | 00044156         | SERPENTIN DOUB. M26X1.5 P176 24MT GRZ    | 1,00     |            |            | --    |
| 0009   | LASL40101 |                  | CYLINDRE INT. PM INX                     | 1,00     |            |            | --    |
| 0010   | LAFN40581 |                  | CYLINDRE EXT. PM-H35 INX                 | 1,00     |            |            | --    |
| 0011   | LAFN40269 |                  | COUVERCLE CHAUD PM INX                   | 1,00     |            |            | --    |
| 0012   | LAFN40270 |                  | COUVERCLE CHAUD PM INX                   | 1,00     |            |            | --    |
| 0013   | LAFN44244 | 00044244         | DEFLECTEUR P176 30M INX                  | 1,00     |            |            | --    |
| 0014   | LAFN40271 |                  | PIVOT CH.10 X 67.7 M5M/M5M PM            | 3,00     |            |            | --    |
| 0015   | MFVR18226 | 00018226         | PORTE-ELECTRODE FUT 3°V                  | 1,00     |            |            | --    |
| 0016   | LAFN07641 | 00007641         | PLAQUETTE INX                            | 1,00     |            |            | --    |
| 0017   | MECA12525 | 00012525         | ELECTRODE FUT                            | 1,00     |            |            | --    |
| 0018   | UGBR22576 | 00022576         | GIGLEUR BRULEUR 1.35 60 S                | 1,00     |            |            | --    |
| 0019   | RCDS07642 | 00007642         | PORTE BUSE FUT                           | 1,00     |            |            | --    |
| 0020   | MPVR18228 | 00018228         | TEMOIN HUILE D.17 X3                     | 1,00     |            |            | --    |
| 0021   | VTAE22633 | 00022633         | SEGER 0.4 X18,30X10,5                    | 1,00     |            |            | --    |
| 0022   | RCVR08954 | 00008954         | COUDE 1/8"-4 B5                          | 1,00     |            | 30/06/2013 | --    |
| 0022   | RCVR72867 |                  | RACCORD A "T" 1/8" FFM                   | 1,00     | 01/07/2013 | 31/10/2013 | --    |
| 0022   | RCVR14014 | 00014014         | RACCORD BI-CONE DTT 1/8"M B1 D. 2/ 4 NIK | 1,00     | 01/07/2013 | 31/10/2013 | --    |
| 0022   | RCVR08954 | 00008954         | COUDE 1/8"-4 B5                          | 1,00     | 01/03/2015 |            | --    |
| 0022   | RCVR40126 |                  | RACCORD BI-CONE T 1/8"M/F D. 4/ 6C NK.   | 1,00     | 01/11/2013 | 28/02/2015 | --    |
| 0022   | RCVR89230 |                  | BOUCHON G 1/8 M C/O-RING.                | 1,00     | 01/07/2013 | 28/02/2015 | --    |
| 0023   | MECB46130 | 00046130         | CABLE DLT L=1100                         | 1,00     | 01/04/2015 |            | --    |
| 0024   | MECV35334 | 00035334         | CABLE A.T. 9.8-23KOHM/M L= 400P          | 2,00     |            | 05/11/2013 | --    |
| 0024   | MECV35335 | 00035335         | CABLE A.T. 9.8-23KOHM/M L= 500P          | 2,00     | 06/11/2013 |            | --    |
| 0027   | TBCO40058 |                  | TUYAU GASOIL PW-H35/6-4P D. 4 IX         | 1,00     | 21/02/2015 |            | --    |



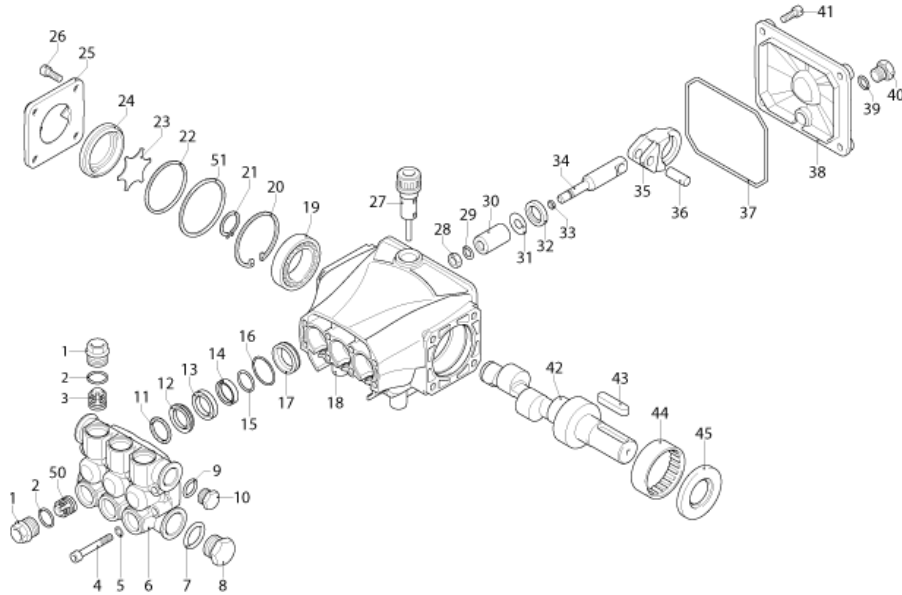


| Ref. K | Part N.   | Customer Part N. | Description                               | Quantity | Validity   |    | Price |
|--------|-----------|------------------|---|----------|------------|----|-------|
|        |           |                  |   |          | From       | To |       |
| 0001   | MPVR88426 |                  | TAPIS DE TRANS. P176 PA6 BK.              | 1,00     |            |    | --    |
| 0002   | GUGO88425 |                  | JOINT P245 EPDM                           | 1,00     |            |    | --    |
| 0003   | MPVR45488 | 00045488         | CORPS COQUILLE P176 PP                    | 1,00     |            |    | --    |
| 0004   | MPVR45445 | 00045445         | PAPILLONFLUEGEL P176 PP                   | 1,00     |            |    | --    |
| 0005   | VEVR45443 | 00045443         | VENTIL. MOTEUR P176 H 100                 | 1,00     |            |    | --    |
| 0006   | LAFN45783 | 00045783         | DOUILLE D. 30 P176                        | 1,00     |            |    | --    |
| 0007   | MPVR45444 | 00045444         | SEPARATEUR P176 ABS                       | 1,00     |            |    | --    |
| 0008   | VTVR45002 | 00045002         | DOUILLE D. 17-19X19 CPS.                  | 1,00     |            |    | --    |
| 0009   | VTAE33647 | 00033647         | BAGUE D'ARRET D. 19 UNI 7435              | 1,00     |            |    | --    |
| 0010   | VEVR88781 |                  | HELICE P176 D.240 43P. 2V. PA6            | 1,00     |            |    | --    |
| 0011   | VTVR20127 | 00020127         | AGRAFE KSM                                | 8,00     |            |    | --    |
| 0012   | MPVR45489 | 00045489         | COUV. VENTILAT. P176 ABS                  | 1,00     |            |    | --    |
| 0013   | FGGT36513 | 00036513         | JOINT HP 0.25 AACO                        | 1,00     |            |    | --    |
| 0014   | PPGS40004 |                  | POMPE FUEL DNF BFA 01R5L1                 | 1,00     |            |    | --    |
| 0015   | VTRS04931 | 00004931         | RONDELLE COPPER D.13X19X1.5               | 1,00     |            |    | --    |
| 0016   | RCDS00626 | 00000626         | RACC. P. TUYAU 1/4 M D. 5- 7              | 1,00     |            |    | --    |
| 0017   | FSVR00427 | 00000427         | COLLIER D. 12 CLIC 66-110                 | 2,00     |            |    | --    |
| 0018   | TBCO06945 | 00006945         | TUYAU B.P. D. 6-12 10BAR C.PRESS          | 0,32     |            |    | --    |
| 0018   | TBCO06945 | 00006945         | TUYAU B.P. D. 6-12 10BAR C.PRESS          | 0,17     |            |    | --    |
| 0019   | FSVR11197 | 00011197         | COLLIER D.I. 11 13315                     | 2,00     |            |    | --    |
| 0020   | FTCO10912 | 00010912         | FILTRE FB 13/T NYL.                       | 1,00     |            |    | --    |
| 0021   | RCVR14014 | 00014014         | RACCORD BI-CONE DTT 1/8" M B1 D. 2/ 4 NIK | 1,00     |            |    | --    |
| 0022   | MECB34463 | 00034463         | CABLE BT L=800 SP. FD                     | 1,00     | 01/04/2015 |    | --    |
| 0025   | RCVR34780 | 00034780         | COUDE 1/8" M/F A10                        | 1,00     | 01/03/2015 |    | --    |
| 0026   | RCVR89230 |                  | BOUCHON G 1/8 M C/O-RING.                 | 1,00     | 01/03/2015 |    | --    |





| Ref. K | Part N.   | Customer Part N. | Description                              | Quantity | Validity   |            | Price |
|--------|-----------|------------------|--|----------|------------|------------|-------|
|        |           |                  |  |          | From       | To         |       |
| K      | METT40008 |                  | TELERUPTEUR SIE 3RT 2016-1AB01 24V       | 1,00     | 01/04/2015 |            | --    |
| EC     | MECE40037 |                  | PLATINE PW-H35 TST+CO+VRT 3.0            | 1,00     | 01/04/2015 | 29/02/2016 | --    |
| EC     | MECE40048 |                  | PLATINE PW-H35 TST+CO+VRT MST-H          | 1,00     | 01/03/2016 |            | --    |
| EV     | MEBE43704 | 00043704         | BOBINE DNF 24-50                         | 1,00     |            |            | --    |
| IG     | MECI40020 |                  | INTERRUPTEUR BRM BP. 0-1 12A             | 1,00     | 01/04/2015 |            | --    |
| LS     | MELF40003 |                  | AMPOULE LED RD. 6V H8TT RR FL 06         | 1,00     | 01/04/2015 |            | --    |
| P1     | MEPF40014 |                  | PRESSOSTAT PR 5 1/8M 25BAR RD.           | 1,00     | 01/03/2016 |            | --    |
| P2     | MEPF76254 | 00076254         | PRESSOSTAT PR 5 1/4M 25BAR               | 1,00     | 01/04/2015 |            | --    |
| TA     | METR88630 |                  | TRANSFORMATEUR 23/240V-5/60HZ 2X26KV TR. | 1,00     |            |            | --    |
| TH     | METK40011 |                  | THERMOSTAT 0-150° L=1500 F&C             | 1,00     | 01/04/2015 |            | --    |
| TR     | METR40012 |                  | TRANSFORMATEUR 25VA 230-400/24 5/60HZ FS | 1,00     | 01/04/2015 |            | --    |
| TS     | METK40007 |                  | THERMOSTAT 65°C NSP-040 PT RIPR.         | 1,00     | 01/04/2015 |            | --    |
| CV1    | MECB40002 |                  | CABLE H07 RNF 4X1.5 L=6.500              | 1,00     | 01/04/2015 |            | --    |



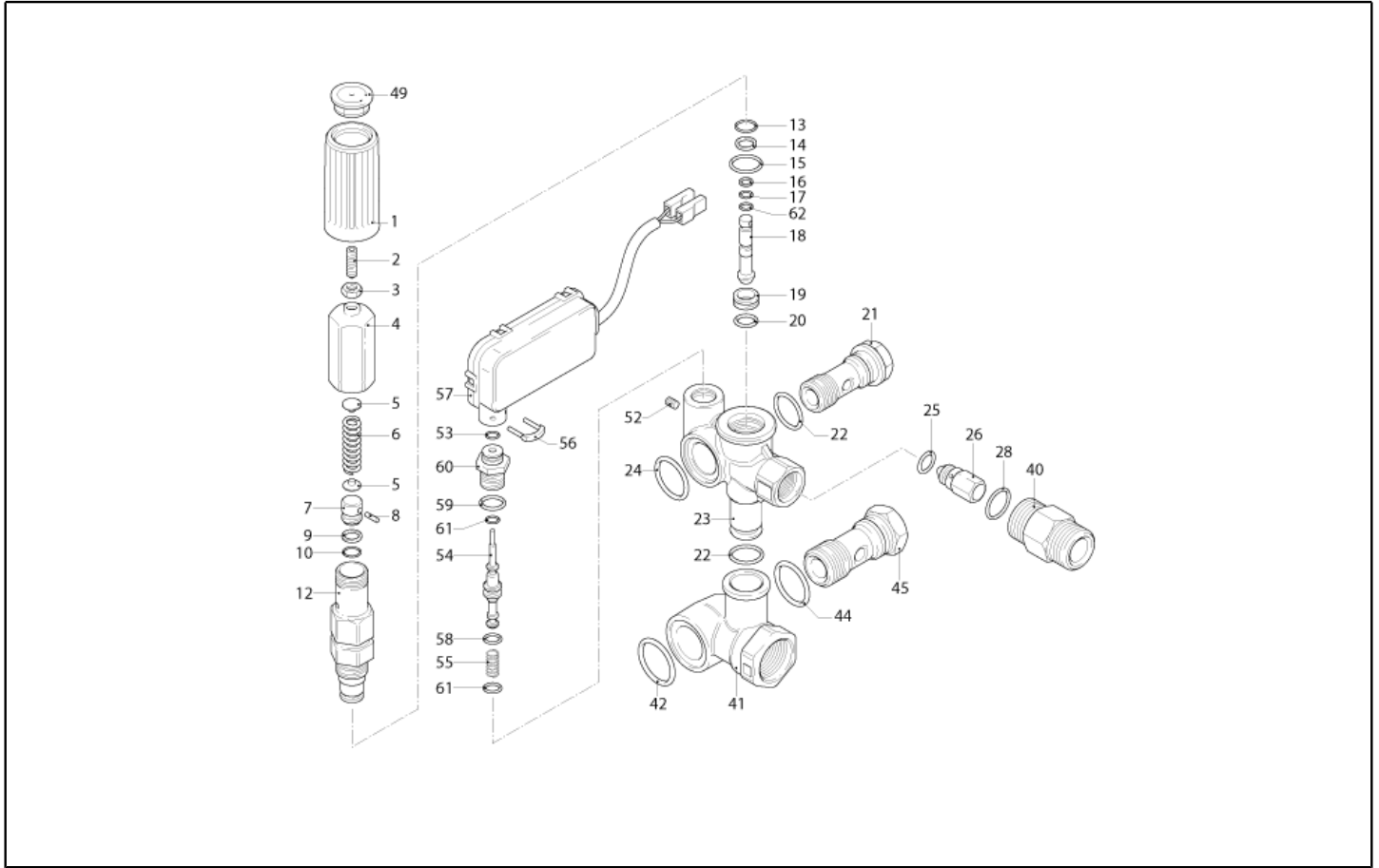
| Ref. K | Part N.     | Customer Part N. | Description                      | Quantity | Validity   |            | Price |
|--------|-------------|------------------|----------------------------------|----------|------------|------------|-------|
|        |             |                  |                                  |          | From       | To         |       |
| 0001   | PVVR40120   |                  | BOUCHON AR RC                    | 6,00     |            |            | --    |
| 0002   | GUGO03505   | 00003505         | O-RING D. 15.6 X 1.78 NBR 70SH   | 6,00     |            |            | --    |
| 0003   | S VVAM40002 |                  | ENSEMBL. CLAPET RC               | 6,00     |            | 31/07/2012 | --    |
| 0003   | S VVAM40002 |                  | ENSEMBL. CLAPET RC               | 3,00     | 01/08/2012 |            | --    |
| 0004   | VTVT06236   | 00006236         | VIS TCCE UNI 5931 6X40 ZB        | 8,00     |            |            | --    |
| 0005   | VTRS01077   | 00001077         | RONDELLE D. 6,4X10X0,7           | 8,00     |            |            | --    |
| 0006   | MFVR40019   |                  | CULASSE AR RC OT.                | 1,00     |            |            | --    |
| 0007   | GUGO19245   | 00019245         | O-RING D. 17.5 X 2 NBR 70SH      | 1,00     |            |            | --    |
| 0008   | PVVR40121   |                  | BOUCHON 1/2 M RC                 | 1,00     |            |            | --    |
| 0009   | GUGO09720   | 00009720         | O-RING D. 14 X 1.78 NBR 70SH     | 1,00     |            |            | --    |
| 0010   | PVVR40099   |                  | BOUCHON 3/8 M HRM                | 1,00     |            |            | --    |
| 0011   | S PVVR40122 |                  | BAGUE DE TETE D. 18 RC           | 3,00     |            |            | --    |
| 0012   | S GUVR40035 |                  | BAGUE D'ETANCH. D. 18 RC H.P.    | 3,00     |            |            | --    |
| 0013   | PVVR40123   |                  | BAGUE INTERMED. D. 18 RC         | 3,00     |            |            | --    |
| 0014   | S GUVR40036 |                  | BAGUE D'ETANCH. D. 18 RC L.P.    | 3,00     |            |            | --    |
| 0015   | S GUVR40037 |                  | BAGUE ANTIEXTR. D.21             | 3,00     |            |            | --    |
| 0016   | S GUGO19290 | 00019290         | O-RING D. 23.52 X 1.78 NBR 70SH  | 3,00     |            | 31/03/2014 | --    |
| 0016   | S GUGO08182 | 00008182         | O-RING D. 21.91 X 1.78 NBR 70SH  | 3,00     | 01/04/2014 |            | --    |
| 0017   | PVVR40124   |                  | BAGUE P.GARNIT. D. 18 RC         | 3,00     |            |            | --    |
| 0018   | MFVR40020   |                  | CARTER POMPE AR RC               | 1,00     |            | 31/03/2014 | --    |
| 0018   | MFVR40027   |                  | CARTER POMPE AR RCS              | 1,00     | 01/04/2014 |            | --    |
| 0019   | CUVR28336   | 00028336         | ROULEM.A BILLES 6304             | 1,00     |            |            | --    |
| 0020   | VTAE09661   | 00009661         | BAGUE D'ARRET D. 52 UNI 7437     | 1,00     |            |            | --    |
| 0021   | VTAE06193   | 00006193         | BAGUE D'ARRET D. 20 UNI 7435     | 1,00     |            |            | --    |
| 0022   | GUGO02561   | 00002561         | O-RING D. 47.3 X 2.62 NBR 70SH   | 1,00     |            |            | --    |
| 0023   | PVVR40125   |                  | DISQUE RC                        | 1,00     |            |            | --    |
| 0024   | PVVR40126   |                  | VOYANT HUILE RC                  | 1,00     |            |            | --    |
| 0025   | MFVR40021   |                  | COUVERCLE CART. AR RC LT.        | 1,00     |            |            | --    |
| 0026   | VTVT01531   | 00001531         | VIS TE 6X 16 UNI 5739            | 4,00     |            |            | --    |
| 0027   | PVVR19231   | 00019231         | BOUCHON HUILE XTS                | 1,00     |            | 31/03/2014 | --    |
| 0027   | PVVR40436   |                  | BOUCHON HUILE RC                 | 1,00     | 01/04/2014 |            | --    |
| 0028   | VTDD00483   | 00000483         | ECROU M 8 ZIN UNI 5588           | 3,00     |            |            | --    |
| 0029   | VTRS19394   | 00019394         | RONDELLE D. 8X13X0,5             | 3,00     |            |            | --    |
| 0030   | S PIVR40005 |                  | PISTON D.18X30 RC                | 3,00     |            |            | --    |
| 0031   | PVVR19233   | 00019233         | DISQUE XTS                       | 3,00     |            |            | --    |
| 0032   | S GUGO09690 | 00009690         | JOINT SPI 15X 24X 5 NBR70        | 3,00     |            |            | --    |
| 0033   | GUGO08071   | 00008071         | O-RING D. 4.48 X 1.78 NBR 70SH   | 3,00     |            |            | --    |
| 0034   | PVVR40127   |                  | TIGE DE PISTON RC                | 3,00     |            |            | --    |
| 0035   | BLVR40001   |                  | BIELLE RC                        | 3,00     |            |            | --    |
| 0036   | PVVR40128   |                  | CHEVILLE-GOUJON D. 9X23 RC       | 3,00     |            |            | --    |
| 0037   | GUGO18695   | 00018695         | O-RING D. 101.27 X 2.62 NBR 70SH | 1,00     |            |            | --    |
| 0038   | MFVR40022   |                  | COUVERCLE CART. AR RC            | 1,00     |            |            | --    |
| 0039   | GUGO01036   | 00001036         | O-RING D. 10.82 X 1.78 NBR 70SH  | 1,00     |            |            | --    |
| 0040   | PVVR40129   |                  | BOUCHON 1/4 M RC                 | 1,00     |            |            | --    |



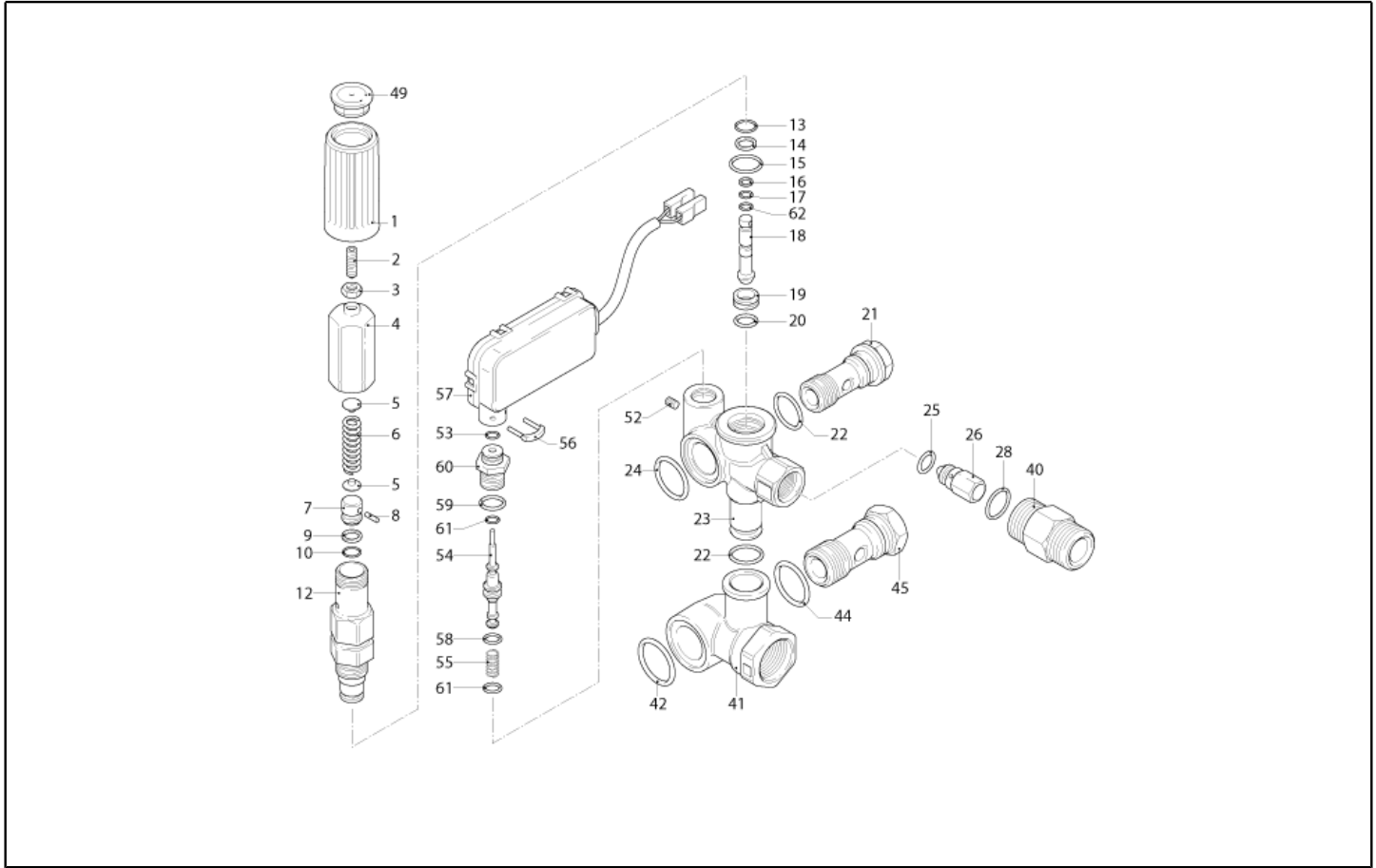
| Ref. K | Part N.     | Customer Part N. | Description                | Quantity | Validity   |    | Price |
|--------|-------------|------------------|----------------------------|----------|------------|----|-------|
|        |             |                  |                            |          | From       | To |       |
| 0041   | VTVT09913   | 00009913         | VIS TCEI 6X16 UNI5931      | 4,00     |            |    | --    |
| 0042   | ALMO40009   |                  | ARBRE AR RC 13LT VRS. N    | 1,00     |            |    | --    |
| 0043   | VTVR41531   | 00041531         | CLAVETTE 8X 7X35 UNI 6604A | 1,00     |            |    | --    |
| 0044   | CUVR23636   | 00023636         | ROULEM.A ROUL. HK 4516     | 1,00     |            |    | --    |
| 0045   | S GUGO00999 | 00000999         | JOINT SPI 25X 52X 7 NBR70  | 1,00     |            |    | --    |
| 0050   | S VVAM40007 |                  | ENSEMBL. CLAPET RC ASP. BK | 3,00     | 01/08/2012 |    | --    |
| 0051   | PVVR40437   |                  | BAGUE D. 51.8 X0.5         | 1,00     | 01/04/2014 |    | --    |



| Ref. Part N. | Cust. Part N. | Description                   | Reference           | Price |
|--------------|---------------|-------------------------------|---------------------|-------|
| KTRI40092    |               | KIT P 15-2186 RC              | 0003                | --    |
| KTRI40093    |               | KIT P 15-42917 RC             | 0030                | --    |
| KTRI40094    |               | KIT P 15-42919 D.18 RC        | 0012 0014 0015 0016 | --    |
| KTRI40095    |               | KIT P 15-42903 D.18 RC        | 0011                | --    |
| KTRI40096    |               | KIT P 15-42918 RC             | 0032 0045           | --    |
| KTRI40207    |               | KIT P 15-42914 RC 3+3 BL./WH. | 0003 0050           | --    |



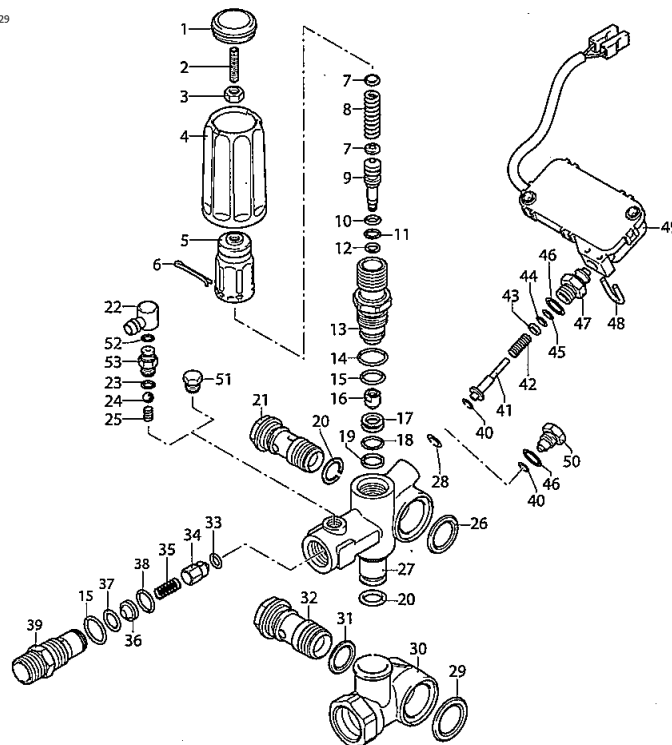
| Ref. K | Part N.     | Customer Part N. | Description                       | Quantity | Validity |    | Price |
|--------|-------------|------------------|-----------------------------------|----------|----------|----|-------|
|        |             |                  |                                   |          | From     | To |       |
| 0001   | MPVR40162   |                  | POIGNEE AR XJS                    | 1,00     |          |    | --    |
| 0002   | VTVT19524   | 00019524         | VIS EI-ST 6X16 UNI 5923           | 1,00     |          |    | --    |
| 0003   | VTDD00482   | 00000482         | ECROU M 6 ZIN UNI 5588            | 1,00     |          |    | --    |
| 0004   | PVVR40066   |                  | REGLEUR AR XJS                    | 1,00     |          |    | --    |
| 0005   | PVVR40067   |                  | COUPELLE RESS. AR XJS             | 2,00     |          |    | --    |
| 0006   | MLML40007   |                  | RESSORT D. 10.8X48.9 D.2.8 XJS    | 1,00     |          |    | --    |
| 0007   | S PVVR40068 |                  | PETIT PISTON AR XJS SP.           | 1,00     |          |    | --    |
| 0008   | S VTVR19193 | 00019193         | GOUPILLE D. 2.5X10                | 1,00     |          |    | --    |
| 0009   | S GUVR40026 |                  | BAGUE ANTIEXTR. D. 8              | 1,00     |          |    | --    |
| 0010   | S GUGO40179 | 00040179         | O-RING D. 8 X 2 NBR 70SH          | 1,00     |          |    | --    |
| 0012   | S PVVR40385 |                  | TIGE DE PISTON AR XJS 2V.         | 1,00     |          |    | --    |
| 0013   | S GUGO09720 | 00009720         | O-RING D. 14 X 1.78 NBR 70SH      | 1,00     |          |    | --    |
| 0014   | S GUGO12490 | 00012490         | O-RING D. 8.74 X 1.78 NBR 70SH    | 1,00     |          |    | --    |
| 0015   | S GUGO02259 | 00002259         | O-RING D. 15.54 X 2.62 NBR 70SH   | 1,00     |          |    | --    |
| 0016   | S GUVR40027 |                  | BAGUE ANTIEXTR. D. 3.7            | 1,00     |          |    | --    |
| 0017   | S GUGO19189 | 00019189         | O-RING D. 2.90 X 1.78 NBR 70SH    | 4,00     |          |    | --    |
| 0018   | S PVVR40070 |                  | PISTON COMMANDE AR XJS IF.        | 1,00     |          |    | --    |
| 0019   | S PVVR40071 |                  | SIEGE SOUPAPE AR XJS              | 1,00     |          |    | --    |
| 0020   | S GUGO41692 | 00041692         | O-RING D. 9 X 1 NBR 70SH          | 1,00     |          |    | --    |
| 0021   | RCDS40068   |                  | VIS CREUSE G 3/8 M.MATIC 4/B OT.  | 1,00     |          |    | --    |
| 0022   | GUGO01047   | 00001047         | O-RING D. 11.91 X 2.62 NBR 70SH   | 2,00     |          |    | --    |
| 0023   | PVVR40134   |                  | CORPS VALVE M.MATIC 4/B TSS       | 1,00     |          |    | --    |
| 0024   | GUGO19395   | 00019395         | O-RING D. 20.24 X 2.62 NBR 70SH   | 1,00     |          |    | --    |
| 0025   | S GUGO12494 | 00012494         | O-RING D. 4 X 2.5 -NBR 70SH       | 1,00     |          |    | --    |
| 0026   | S PVVR40074 |                  | OBTURATEUR N.RIT. XJS             | 1,00     |          |    | --    |
| 0028   | S GUGO11652 | 00011652         | O-RING D. 12.42 X 1.78 NBR 70SH   | 1,00     |          |    | --    |
| 0040   | RCDS40069   |                  | NIPPLE G 3/8 M.MATIC 4/B          | 1,00     |          |    | --    |
| 0041   | PVVR40131   |                  | RACCORD M.MATIC 4/B               | 1,00     |          |    | --    |
| 0042   | GUGO76542   | 00076542         | O-RING D. 23.47 X 2.62 NBR 70SH   | 1,00     |          |    | --    |
| 0044   | GUGO01058   | 00001058         | O-RING D. 17.17 X 1.78 NBR 70SH   | 1,00     |          |    | --    |
| 0045   | RCDS40070   |                  | VIS CREUSE G 1/2 M.MATIC 4/B      | 1,00     |          |    | --    |
| 0049   | MPVR40163   |                  | BOUCHON AR XJS                    | 1,00     |          |    | --    |
| 0052   | VTVT40019   |                  | VIS M 3X 5 EI-ST UNI 5923         | 1,00     |          |    | --    |
| 0053   | GUGO19207   | 00019207         | O-RING D. 1.78 X 1.78 NBR 70SH    | 1,00     |          |    | --    |
| 0054   | PVVR40136   |                  | PISTON COMMANDE AR TSS M.MTC      | 1,00     |          |    | --    |
| 0055   | MLML40017   |                  | RESSORT D. 8.7 X15.9 D.1.2        | 1,00     |          |    | --    |
| 0056   | LAFN40212   |                  | GOUPILLE "U" AR TSS               | 1,00     |          |    | --    |
| 0057   | MEPF40013   |                  | PRESSOSTAT AR TSS 220V N.A. L.900 | 1,00     |          |    | --    |
| 0058   | GUGO12489   | 00012489         | O-RING D. 6.07 X 1.78 NBR 70SH    | 1,00     |          |    | --    |
| 0059   | GUGO03496   | 00003496         | O-RING D. 9.25 X 1.78 NBR 70SH    | 1,00     |          |    | --    |
| 0060   | PVVR40137   |                  | TIGE DE PISTON AR TSS M.MATIC     | 1,00     |          |    | --    |
| 0061   | GUGO19189   | 00019189         | O-RING D. 2.90 X 1.78 NBR 70SH    | 2,00     |          |    | --    |
| 0062   | S GUGO40031 |                  | O-RING D. 3.39 X 1.78 NBR 70SH    | 1,00     |          |    | --    |



| Ref. Part N. | Cust. Part N. | Description                    | Reference  | Price |
|--------------|---------------|--------------------------------|--|-------|
| KTRI40128    |               | KIT P 14-101 M.MATIC 4/B CK.V. | 0025 0026 0028   | --    |
| KTRI40127    |               | KIT P 14-100 M.MATIC 4/B       | 0007 0008 0009 0010 0012 0013 0014 0015 0016 0017<br>0018 0019 0020 0062 | --    |

# VRZ TSS + ID

KIT F = pos. 10 11 14 15 18 19 20 23 28 29  
31 33 37 38 40 44 45 46



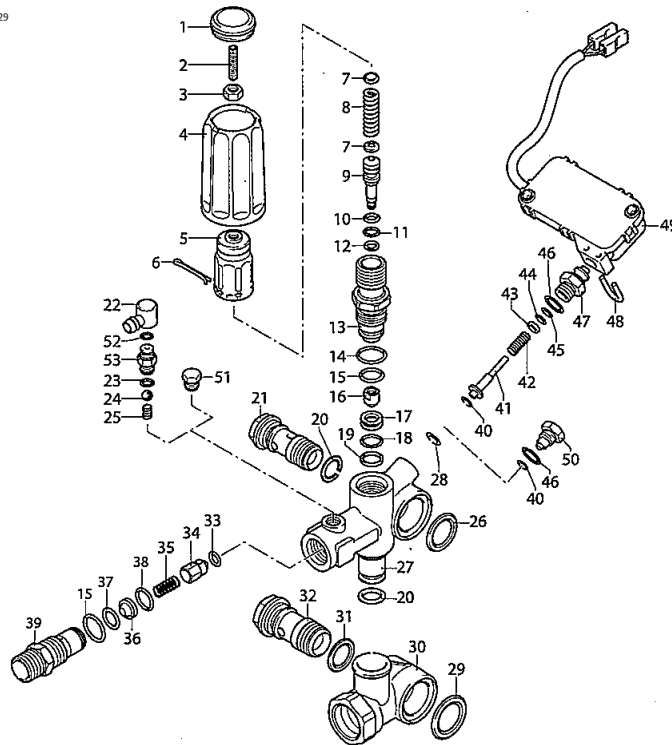
UN\_00\_4104-FR

| Ref. K | Part N.     | Customer Part N. | Description                          | Quantity | Validity   |            | Price |
|--------|-------------|------------------|--------------------------------------|----------|------------|------------|-------|
|        |             |                  |                                      |          | From       | To         |       |
| 0001   | PVVR40241   |                  | BOUCHON VRC-BM                       | 1,00     |            |            | --    |
| 0002   | VTVT40051   |                  | VIS STEI M 6X25                      | 1,00     |            |            | --    |
| 0003   | PVVR40292   |                  | ECROU AR                             | 1,00     |            |            | --    |
| 0004   | PVVR40418   |                  | POIGNEE VRZ                          | 1,00     |            |            | --    |
| 0005   | PVVR40236   |                  | POIGNEE M.MT/4B                      | 1,00     |            |            | --    |
| 0006   | VTVR40025   |                  | GOUPILLE D. 2.6X15                   | 1,00     |            |            | --    |
| 0007   | PVVR40067   |                  | COUPELLE RESS. AR XJS                | 2,00     |            |            | --    |
| 0008   | PVVR40419   |                  | RESSORT VALVOLA VRZ                  | 1,00     |            |            | --    |
| 0009   | PVVR40420   |                  | PISTON VRC-BM                        | 1,00     |            |            | --    |
| 0010   | S GUGO40046 |                  | O-RING D. 6.02 X 2.62 NBR 90SH       | 1,00     |            |            | --    |
| 0011   | S GUGO12489 | 00012489         | O-RING D. 6.07 X 1.78 NBR 70SH       | 1,00     |            |            | --    |
| 0012   | GUVR40072   |                  | BAGUE ANTIEXTR. D. 6.5X 9.4          | 1,00     |            |            | --    |
| 0013   | PVVR40421   |                  | TIGE DE PISTON VRZ                   | 1,00     |            |            | --    |
| 0014   | S GUGO03505 | 00003505         | O-RING D. 15.6 X 1.78 NBR 70SH       | 1,00     |            |            | --    |
| 0015   | S GUGO11652 | 00011652         | O-RING D. 12.42 X 1.78 NBR 70SH      | 2,00     |            |            | --    |
| 0016   | PVVR40423   |                  | OBTURATEUR AR VRZ                    | 1,00     |            |            | --    |
| 0017   | PVVR40424   |                  | SIEGE SOUPAPE AR VRZ                 | 1,00     |            |            | --    |
| 0018   | S GUGO19194 | 00019194         | O-RING D. 11.11 X 1.78 NBR 70SH      | 1,00     |            |            | --    |
| 0019   | S GUVR40085 |                  | BAGUE ANTIEXTR. D. 14 X11,8X1        | 1,00     |            |            | --    |
| 0020   | S GUGO01047 | 00001047         | O-RING D. 11.91 X 2.62 NBR 70SH      | 2,00     |            |            | --    |
| 0021   | RCDS40068   |                  | VIS CREUSE G 3/8 M.MATIC 4/B OT.     | 1,00     |            |            | --    |
| 0026   | GUGO40057   |                  | O-RING D. 20.29 X 2.62-NBR 70SH      | 1,00     |            |            | --    |
| 0027   | PVVR40427   |                  | CORPS VALVE VRZ                      | 1,00     |            |            | --    |
| 0028   | S GUGO40031 |                  | O-RING D. 3.39 X 1.78 NBR 70SH       | 1,00     |            |            | --    |
| 0029   | S GUGO76542 | 00076542         | O-RING D. 23.47 X 2.62 NBR 70SH      | 1,00     |            |            | --    |
| 0030   | PVVR40428   |                  | CORPS VALVOLA VRZ                    | 1,00     |            |            | --    |
| 0031   | S GUGO01058 | 00001058         | O-RING D. 17.17 X 1.78 NBR 70SH      | 1,00     |            |            | --    |
| 0032   | RCDS40070   |                  | VIS CREUSE G 1/2 M.MATIC 4/B         | 1,00     |            |            | --    |
| 0033   | S GUGO12494 | 00012494         | O-RING D. 4 X 2.5 -NBR 70SH          | 1,00     |            |            | --    |
| 0034   | PVVR40422   |                  | OBTURATEUR AR VRZ                    | 1,00     |            |            | --    |
| 0035   | PVVR40252   |                  | RESSORT VRC-BM                       | 1,00     |            |            | --    |
| 0039   | RCDS40192   |                  | NIPPLE G 3/8 VRZ                     | 1,00     |            |            | --    |
| 0040   | S GUVR40084 |                  | BAGUE ANTIEXTR. PARBAK 8-007         | 1,00     |            | 31/01/2016 | --    |
| 0040   | S GUVR40094 |                  | BAGUE ANTIEXTR. D. 4.2X 7 X1 PTFE+BZ | 1,00     | 01/02/2016 |            | --    |
| 0041   | PVVR40425   |                  | TIGE D.CONTROLE AR TSS VRZ           | 1,00     |            | 31/01/2016 | --    |
| 0041   | S PVVR40470 |                  | TIGE D.CONTROLE AR TSS VRZ.Evo       | 1,00     | 01/02/2016 |            | --    |
| 0042   | PVVR40429   |                  | RESSORT VALVOLA VRZ                  | 1,00     |            |            | --    |
| 0043   | PVVR40430   |                  | RONDELLE VALVOLA VRZ                 | 1,00     |            |            | --    |
| 0044   | S GUGO19207 | 00019207         | O-RING D. 1.78 X 1.78 NBR 70SH       | 1,00     |            |            | --    |
| 0045   | S GUVR40086 |                  | BAGUE ANTIEXTR. D. 4,9X 2 X1,3       | 1,00     |            |            | --    |
| 0046   | S GUGO06988 | 00006988         | O-RING D. 7.66 X 1.78 NBR 70SH       | 1,00     |            |            | --    |
| 0047   | PVVR40431   |                  | RACCORD VALVOLA VRZ                  | 1,00     |            |            | --    |
| 0048   | LAFN40212   |                  | GOUPILLE "U" AR TSS                  | 1,00     |            |            | --    |
| 0049   | PVVR40433   |                  | PRESSOSTAT TTS VRZ marc. AB          | 1,00     |            |            | --    |



# VRZ TSS + ID

KIT F = pos. 10 11 14 15 18 19 20 23 28 29  
31 33 37 38 40 44 45 46

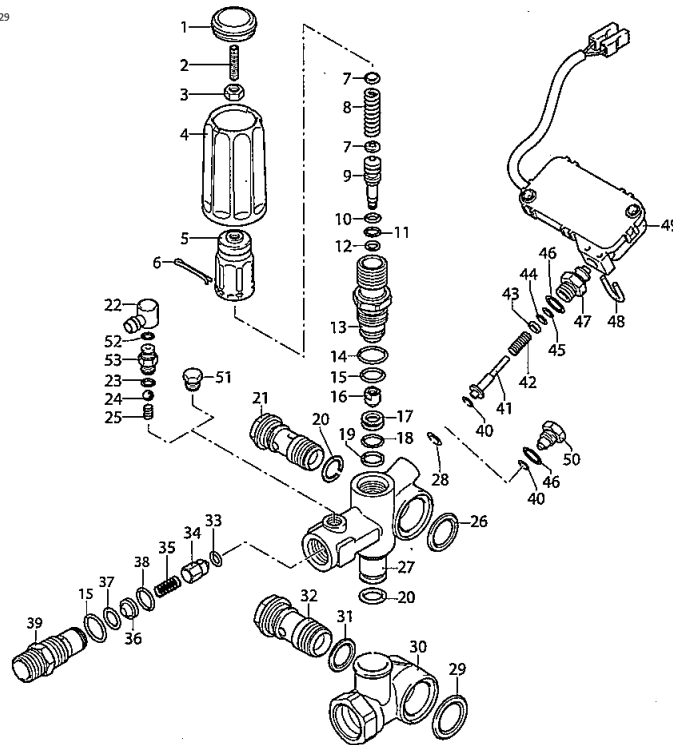


UN\_00\_4104-FR

| Ref. K | Part N.   | Customer Part N. | Description   | Quantity | Validity |    | Price |
|--------|-----------|------------------|---------------|----------|----------|----|-------|
|        |           |                  |               |          | From     | To |       |
| 0051   | RCDS19214 | 00019214         | BOUCHON 1/8 M | 1,00     |          |    | --    |

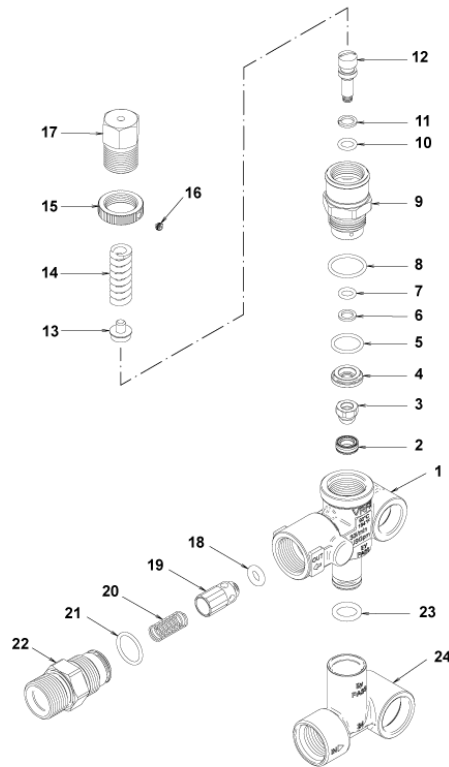
# VRZ TSS + ID

KIT F = pos. 10 11 14 15 18 19 20 23 28 29  
31 33 37 38 40 44 45 46

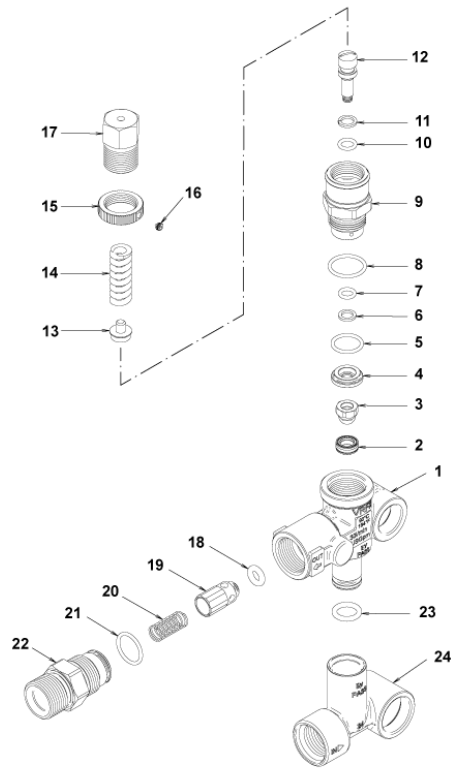


UN\_00\_4104-FR

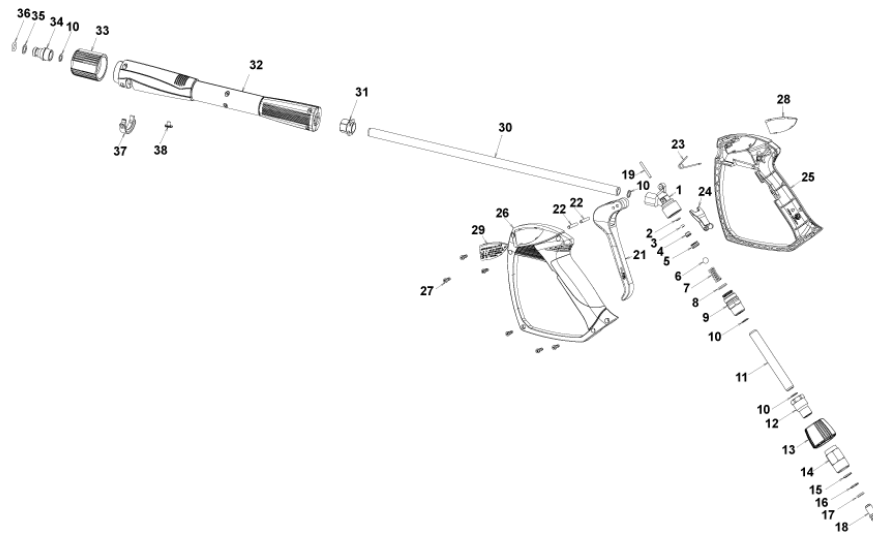
| Ref. Part N. | Cust. Part N. | Description                  | Reference  | Price |
|--------------|---------------|------------------------------|--|-------|
| KTRI40394    |               | KIT P 14-43234 VRZ.Evo       | 0028 0040 0041   | --    |
| F KTRI40293  |               | KIT P SET O-RING VALVOLA VRZ | 0010 0011 0014 0015 0018 0019 0020 0023 0028 0029<br>0031 0033 0037 0038 0040 0044 0045 0046 | --    |



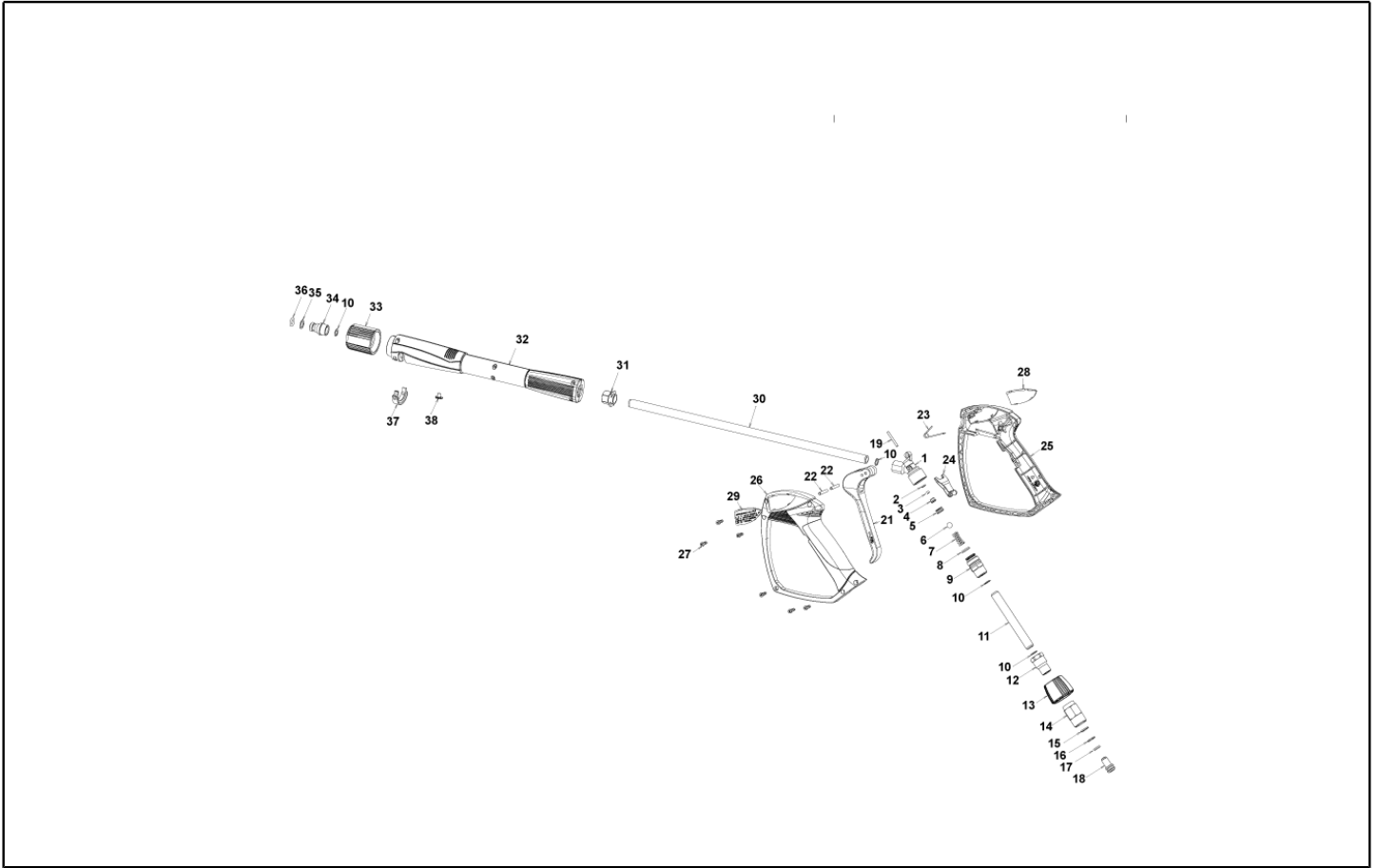
| Ref. K | Part N.     | Customer Part N. | Description                        | Quantity | Validity |    | Price |
|--------|-------------|------------------|------------------------------------|----------|----------|----|-------|
|        |             |                  |                                    |          | From     | To |       |
| 0001   | PVVR40375   |                  | CORPS VALVE VRF2 +G1/8 F           | 1,00     |          |    | --    |
| 0002   | S PVVR40363 |                  | SIEGE SOUPAPE MV124 +OR            | 1,00     |          |    | --    |
| 0003   | S PVVR40364 |                  | OBTURATEUR MV124                   | 1,00     |          |    | --    |
| 0004   | S PVVR40365 |                  | ENTRETOISE MV124                   | 1,00     |          |    | --    |
| 0005   | S GUGO12322 | 00012322         | O-RING D. 14 X 1.78 NBR 90SH       | 1,00     |          |    | --    |
| 0006   | S GUVR40072 |                  | BAGUE ANTIEXTR. D. 6.5X 9.4        | 1,00     |          |    | --    |
| 0007   | S GUGO83861 |                  | O-RING D. 6.07 X 1.78 NBR 90SH     | 1,00     |          |    | --    |
| 0008   | S GUGO24913 | 00024913         | O-RING D. 17.17 X 1.78 NBR 90SH    | 1,00     |          |    | --    |
| 0009   | S PVVR40366 |                  | RACCORD VRF2 D.10                  | 1,00     |          |    | --    |
| 0010   | S GUGO03500 | 00003500         | O-RING D. 6.75 X 1.78 NBR 70SH     | 1,00     |          |    | --    |
| 0011   | S GUVR40073 |                  | BAGUE ANTIEXTR. D. 7.1X10 X1.2 TBT | 1,00     |          |    | --    |
| 0012   | S PVVR40367 |                  | PETIT PISTON D.10 VRF2             | 1,00     |          |    | --    |
| 0013   | PVVR40368   |                  | COUPELLE RESS. MV124 25B           | 1,00     |          |    | --    |
| 0014   | MLML40027   |                  | RESSORT D. 3.0/6.0 X38.85          | 1,00     |          |    | --    |
| 0015   | PVVR40369   |                  | FRETTE MV167.09                    | 1,00     |          |    | --    |
| 0016   | VTVT89696   |                  | VIS EI-ST 4X 4 UNI5927 ZC          | 1,00     |          |    | --    |
| 0017   | PVVR40370   |                  | CAPUCHON VRF2 M18X1                | 1,00     |          |    | --    |
| 0018   | S GUGO46053 | 00046053         | O-RING D. 6 X 3 NBR 90SH           | 1,00     |          |    | --    |
| 0019   | S PVVR40349 |                  | OBTURATEUR VRT3                    | 1,00     |          |    | --    |
| 0020   | S MLML40026 |                  | RESSORT VRT3                       | 1,00     |          |    | --    |
| 0021   | S GUGO12321 | 00012321         | O-RING D. 15.6 X 1.78 NBR 90SH     | 1,00     |          |    | --    |
| 0022   | PVVR40525   |                  | RACCORD VRT3 G 3/8M                | 1,00     |          |    | --    |
| 0023   | GUGO11225   | 00011225         | O-RING D. 10.78 X 2.62 NBR 70SH    | 1,00     |          |    | --    |
| 0024   | PVVR40373   |                  | RACCORD VRF2.24                    | 1,00     |          |    | --    |



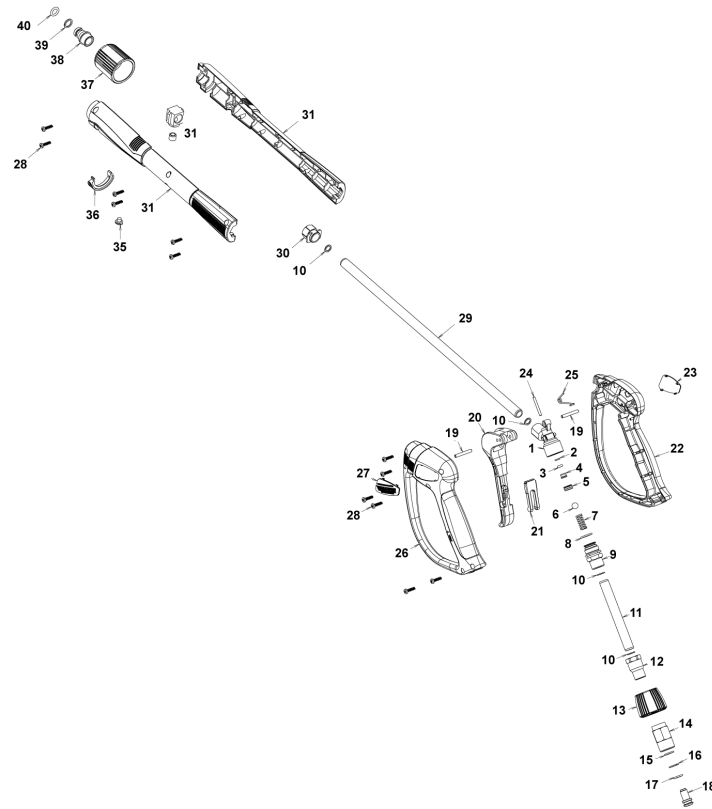
| Ref. Part N. | Cust. Part N. | Description            | Reference   | Price |
|--------------|---------------|------------------------|---|-------|
| KTRI40236    |               | KIT P 14-103 VRF2      | 0002 0003 0004 0005 0006 0007 0008 0009 0010 0011<br>0012 0018 0019 0020 0021 | --    |
| KTRI40237    |               | KIT P 14-104 SEAL VRF2 | 0002 0003 0005 0006 0007 0008 0010 0011 0018 0021                             | --    |



| Ref. K | Part N.     | Customer Part N. | Description                       | Quantity | Validity |    | Price |
|--------|-------------|------------------|-----------------------------------|----------|----------|----|-------|
|        |             |                  |                                   |          | From     | To |       |
| 0001   | PVVR40381   |                  | CORPS PISTOLET G 5100 G1/4F       | 1,00     |          |    | --    |
| 0002   | S GUVR40074 |                  | BAGUE ANTIEXTR. D. 3 X 7.4X1.3    | 1,00     |          |    | --    |
| 0003   | S GUGO21835 | 00021835         | O-RING D. 2.84 X 2.62 VIT. 80SH   | 1,00     |          |    | --    |
| 0004   | PVVR40382   |                  | TIGE DE PISTON G 5100             | 1,00     |          |    | --    |
| 0005   | S PVVR40112 |                  | SIEGE BILLE G 5000                | 1,00     |          |    | --    |
| 0006   | S SFVR27026 | 00027026         | BILLE D.11/32" INX                | 1,00     |          |    | --    |
| 0007   | MLML40016   |                  | RESSORT D. 9.4 x21.5x1.6 G5000    | 1,00     |          |    | --    |
| 0008   | GUGO12322   | 00012322         | O-RING D. 14 X 1.78 NBR 90SH      | 1,00     |          |    | --    |
| 0009   | PVVR40383   |                  | RACCORD COLL.G5100 1/4F           | 1,00     |          |    | --    |
| 0010   | VTRS40017   |                  | RONDELLE D. 8.2X11,4X1,00         | 4,00     |          |    | --    |
| 0011   | PVVR40384   |                  | TUYAU G 1/4" L.105                | 1,00     |          |    | --    |
| 0012   | RCIN40022   |                  | RACCORD SWIV G5100 1/4F           | 1,00     |          |    | --    |
| 0013   | MPVR40486   |                  | FRETTE G 5100 SW. GR.             | 1,00     |          |    | --    |
| 0014   | RCIN40021   |                  | BRANCHEMENT SWIV 5100 M22         | 1,00     |          |    | --    |
| 0015   | S GUVR40075 |                  | BAGUE ANTIEXTR. D. 10 X14X1.5     | 1,00     |          |    | --    |
| 0016   | S GUVR40076 |                  | BAGUE ANTIEXTR. D. 11.2X14X1.2    | 1,00     |          |    | --    |
| 0017   | S GUGO15295 | 00015295         | O-RING D. 10.82 X 1.78 VIT 80SH   | 1,00     |          |    | --    |
| 0018   | PVVR40386   |                  | VIS SW. G 5100                    | 1,00     |          |    | --    |
| 0019   | PVVR40387   |                  | PETIT PISTON G 5100               | 1,00     |          |    | --    |
| 0021   | MPVR40487   |                  | GACHETTE G 5100-SW                | 1,00     |          |    | --    |
| 0022   | VTVR40047   |                  | GOUPILLE D. 4X29                  | 2,00     |          |    | --    |
| 0023   | MLML40029   |                  | RESSORT G 5100                    | 1,00     |          |    | --    |
| 0024   | MPVR40488   |                  | DISP.D.SECURITE G 5100-SW         | 1,00     |          |    | --    |
| 0025   | MPVR40489   |                  | COQUILLE G 5100-SW DX             | 1,00     |          |    | --    |
| 0026   | MPVR40490   |                  | COQUILLE G 5100-SW SX             | 1,00     |          |    | --    |
| 0027   | VTVT40043   |                  | VIS AF 4X 14 HILO ZN.N            | 6,00     |          |    | --    |
| 0028   | MPVR40491   |                  | PLAQUE G 5100 GR.DX               | 1,00     |          |    | --    |
| 0029   | MPVR40492   |                  | PLAQUE G 5100 GR.SX               | 1,00     |          |    | --    |
| 0030   | LCPR40086   |                  | TUYAU 1/4 L=420 ZC. 0°            | 1,00     |          |    | --    |
| 0031   | MPVR40493   |                  | RACCORD G 5100-SW                 | 1,00     |          |    | --    |
| 0032   | MPVR40494   |                  | PROTECTION P 420 C/AN.            | 1,00     |          |    | --    |
| 0033   | PVVR40119   |                  | RONDELLE M22X1,5 IRV G5000        | 1,00     |          |    | --    |
| 0034   | RCIN40009   |                  | CHEVILLE-GOUJON G 1/4 F IRV G5000 | 1,00     |          |    | --    |
| 0035   | GUVR40034   |                  | BAGUE ANTIEXTR. D. 10 X14         | 1,00     |          |    | --    |
| 0036   | GUGO01946   | 00001946         | O-RING D. 9.13 X 2.62 VIT 70SH    | 1,00     |          |    | --    |
| 0037   | MPVR40495   |                  | BOUCHON G 5100 REM.               | 1,00     |          |    | --    |
| 0038   | MPVR40198   |                  | BOUCHON G 5000                    | 1,00     |          |    | --    |

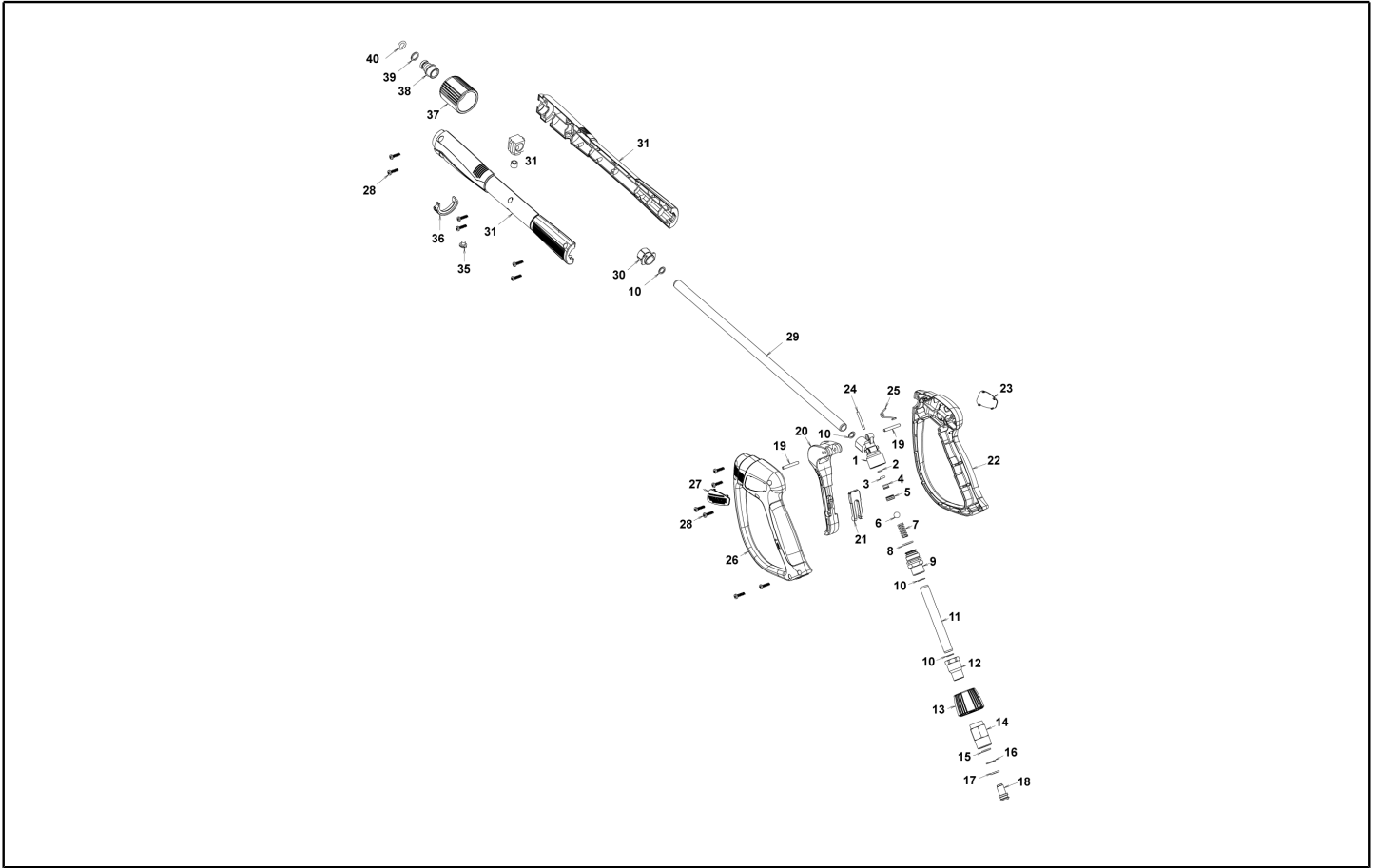


| Ref. Part N. | Cust. Part N. | Description                | Reference           | Price |
|--------------|---------------|----------------------------|---------------------|-------|
| KTRI40242    |               | KIT P 26- 25 G 5100        | 0002 0003 0005 0006 | --    |
| KTRI40243    |               | KIT P 26- 26 SWIVEL G 5100 | 0015 0016 0017      | --    |



| Ref. K | Part N.     | Customer Part N. | Description                       | Quantity | Validity |    | Price |
|--------|-------------|------------------|-----------------------------------|----------|----------|----|-------|
|        |             |                  |                                   |          | From     | To |       |
| 0001   | PVVR40381   |                  | CORPS PISTOLET G 5100 G1/4F       | 1,00     |          |    | --    |
| 0002   | S GUVR40074 |                  | BAGUE ANTIEXTR. D. 3 X 7.4X1.3    | 1,00     |          |    | --    |
| 0003   | S GUGO21835 | 00021835         | O-RING D. 2.84 X 2.62 VIT. 80SH   | 1,00     |          |    | --    |
| 0004   | PVVR40382   |                  | TIGE DE PISTON G 5100             | 1,00     |          |    | --    |
| 0005   | S PVVR40112 |                  | SIEGE BILLE G 5000                | 1,00     |          |    | --    |
| 0006   | S SFVR40002 |                  | BILLE D.11/32" ALL.GR16           | 1,00     |          |    | --    |
| 0007   | MLML40016   |                  | RESSORT D. 9.4 x21.5x1.6 G5000    | 1,00     |          |    | --    |
| 0008   | GUGO12322   | 00012322         | O-RING D. 14 X 1.78 NBR 90SH      | 1,00     |          |    | --    |
| 0009   | PVVR40383   |                  | RACCORD COLL.G5100 1/4F           | 1,00     |          |    | --    |
| 0010   | VTRS40017   |                  | RONDELLE D. 8.2X11,4X1.00         | 4,00     |          |    | --    |
| 0011   | PVVR40384   |                  | TUYAU G 1/4" L.105                | 1,00     |          |    | --    |
| 0012   | RCIN40022   |                  | RACCORD SWIV G5100 1/4F           | 1,00     |          |    | --    |
| 0013   | MPVR40819   |                  | FRETTE G 5100 SW. BK.             | 1,00     |          |    | --    |
| 0014   | RCIN40021   |                  | BRANCHEMENT SWIV 5100 M22         | 1,00     |          |    | --    |
| 0015   | S GUVR40075 |                  | BAGUE ANTIEXTR. D. 10 X14X1.5     | 1,00     |          |    | --    |
| 0016   | S GUVR40076 |                  | BAGUE ANTIEXTR. D. 11.2X14X1.2    | 1,00     |          |    | --    |
| 0017   | S GUGO15295 | 00015295         | O-RING D. 10.82 X 1.78 VIT 80SH   | 1,00     |          |    | --    |
| 0018   | PVVR40386   |                  | VIS SW. G 5100                    | 1,00     |          |    | --    |
| 0019   | VTVR40047   |                  | GOUPILLE D. 4X29                  | 2,00     |          |    | --    |
| 0020   | MPVR40820   |                  | GACHETTE G 6000-SW                | 1,00     |          |    | --    |
| 0021   | MPVR40821   |                  | DISP.D.SECURITE G 6000-SW         | 1,00     |          |    | --    |
| 0022   | MPVR40822   |                  | COQUILLE G 6000-SW DX             | 1,00     |          |    | --    |
| 0023   | MPVR40823   |                  | PLAQUE G 6000 GR.DX               | 1,00     |          |    | --    |
| 0024   | PVVR40387   |                  | PETIT PISTON G 5100               | 1,00     |          |    | --    |
| 0025   | MLML40029   |                  | RESSORT G 5100                    | 1,00     |          |    | --    |
| 0026   | MPVR40824   |                  | COQUILLE G 6000-SW SX             | 1,00     |          |    | --    |
| 0027   | MPVR40825   |                  | PLAQUE G 6000 GR.SX               | 1,00     |          |    | --    |
| 0028   | VTVT40043   |                  | VIS AF 4X 14 HILO ZN.N            | 12,00    |          |    | --    |
| 0029   | LCPR40086   |                  | TUYAU 1/4 L=420 ZC. 0°            | 1,00     |          |    | --    |
| 0030   | MPVR40493   |                  | RACCORD G 5100-SW                 | 1,00     |          |    | --    |
| 0031   | MPVR40494   |                  | PROTECTION P 420 C/AN.            | 1,00     |          |    | --    |
| 0035   | MPVR40198   |                  | BOUCHON G 5000                    | 1,00     |          |    | --    |
| 0036   | MPVR40495   |                  | BOUCHON G 5100 REM.               | 1,00     |          |    | --    |
| 0037   | PVVR40119   |                  | RONDELLE M22X1,5 IRV G5000        | 1,00     |          |    | --    |
| 0038   | RCIN40009   |                  | CHEVILLE-GOUJON G 1/4 F IRV G5000 | 1,00     |          |    | --    |
| 0039   | GUVR40034   |                  | BAGUE ANTIEXTR. D. 10 X14         | 1,00     |          |    | --    |
| 0040   | GUGO01946   | 00001946         | O-RING D. 9.13 X 2.62 VIT 70SH    | 1,00     |          |    | --    |





| Ref. Part N. | Cust. Part N. | Description                | Reference           | Price |
|--------------|---------------|----------------------------|---------------------|-------|
| KTRI40243    |               | KIT P 26- 26 SWIVEL G 5100 | 0015 0016 0017      | --    |
| KTRI40414    |               | KIT P 26- 34 G 6000        | 0002 0003 0005 0006 | --    |