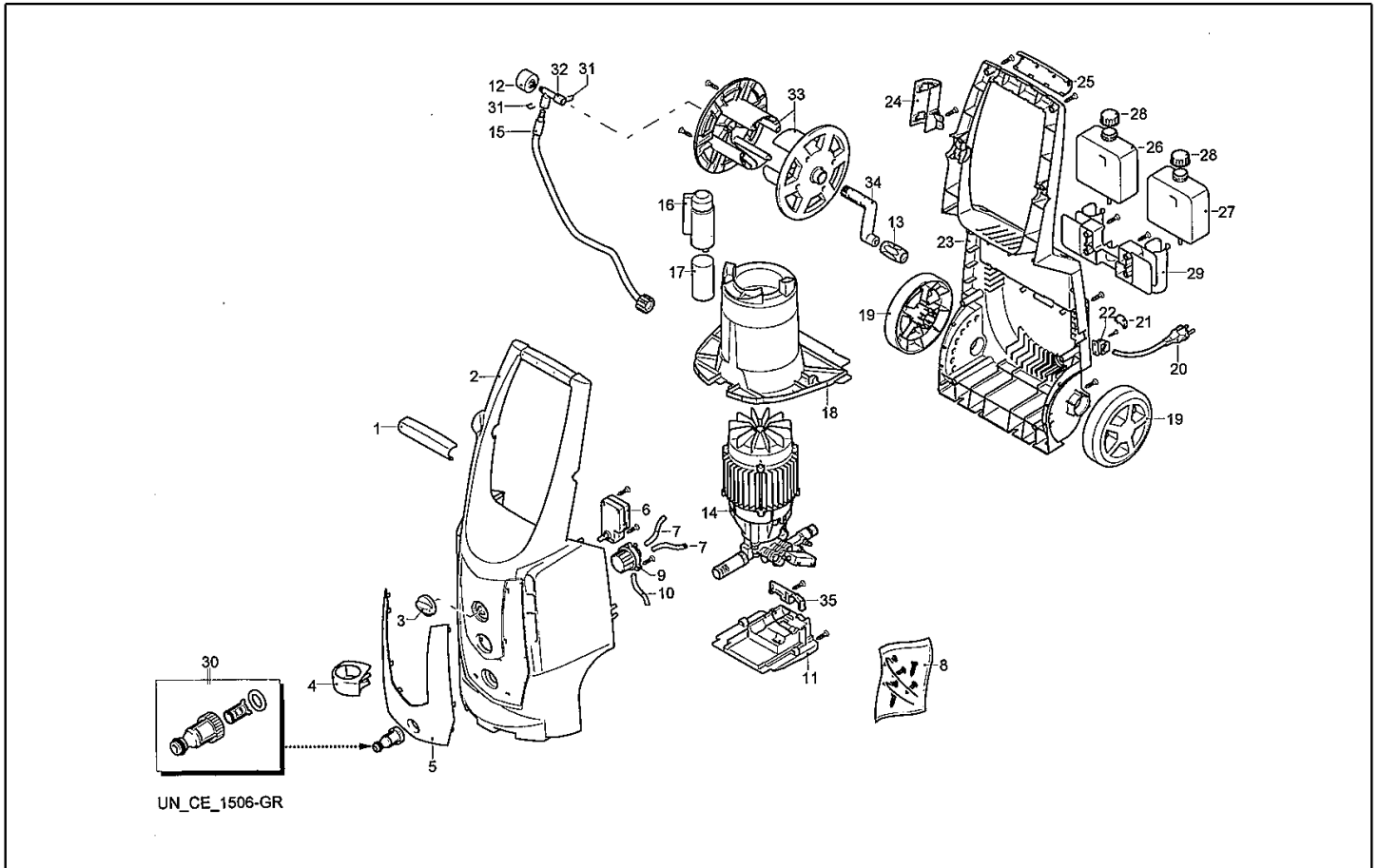




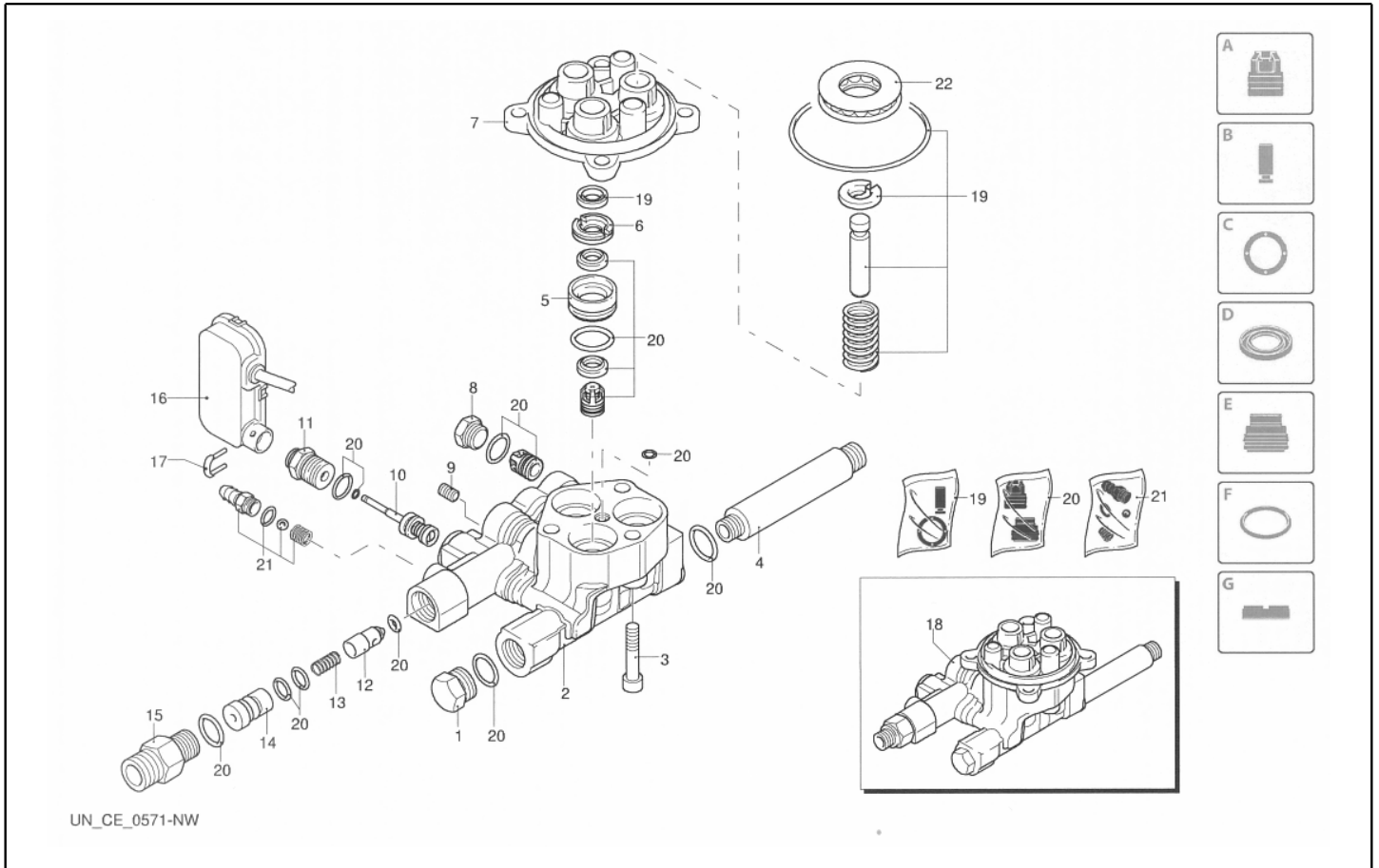
IPC

Spare Parts List

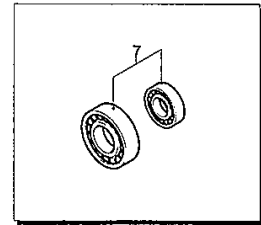
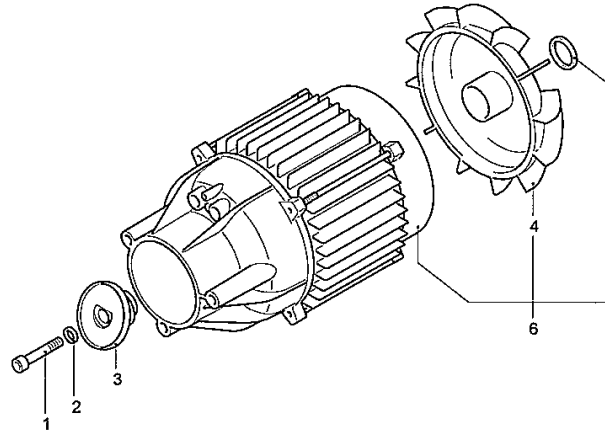
Ref: IDAF94231
Model: PW 160/10 SAB XR



Ref. K	Part N.	Customer Part N.	Description	Quantity	Validity		Price
					From	To	
0001	MPVR40463		POIGNEE PW-C23 ANT.GR.	1,00			--
0002	MPVR40508		CAPOT PW-C23 BK.	1,00			--
0003	MPVR40465		POIGNEE INT. PW-C23	1,00			--
0004	MPVR40466		SUPPORT PW-C23 BK.	1,00			--
0005	MPVR40474		PLAQUETTE PW-C23 GR.368C	1,00			--
0006	MPVR40468		BOITE CONTROLE PW-C23	1,00			--
0007	TBBP40061		TUYAU B.P. D. 7-10 PW-C23	2,00			--
0008	KTRI40222		KIT P 4- 14 SCREW PW-C23	1,00			--
0009	RCGR40007		ROBINET DETER. PW-C23 2V.	1,00			--
0010	TBBP40062		TUYAU B.P. D. 7-10 PW-C23/2	1,00			--
0011	MPVR40469		SUPPORT E.PMP PW-C23	1,00		08/09/2014	--
0011	MPVR40650		SUPPORT E.PMP PW-C23	1,00	09/09/2014		--
0012	MNMN40010		MANOMETRE AR PW-C23	1,00			--
0013	MPVR40514		POIGNEE PW-C23 AVTB	1,00		27/02/2014	--
0013	MPVR40637		POIGNEE PW-C23 AVTB	1,00	28/02/2014		--
0014	PPEL40045		GROUPE PW-C23 3000W 230/50 2P.	1,00			--
0015	TBAP40109		TUYAU A TOUR AVV. PW-C23	1,00			--
0016	MPVR40471		SUPPORT PW-C23	1,00			--
0017	MECO40013		CONDENSEUR 40 MF	1,00			--
0018	MPVR40472		TAPIS DE TRANS. PW-C23	1,00			--
0019	RTRT40028		ROUE D.175 PW-C23	2,00			--
0020	MECB40239		CABLE PVC 3X1.5 SCH.	1,00			--
0021	MPVR40473		BOUCHON PW-C23	1,00			--
0022	MPVR40454		PRESSE CABLE PW-C10	1,00			--
0023	MPVR40475		CHASSIS PW-C23 BK	1,00			--
0024	MPVR40464		SUPPORT PW-C23 SUP.	1,00			--
0025	MPVR40477		POIGNEE PW-C23 PST.GR.	1,00			--
0026	MPVR40512		RESERVOIR PW-C23 DX	1,00			--
0027	MPVR40513		RESERVOIR PW-C23 SX	1,00			--
0028	MPVR40480		BOUCHON RESERV. PW-C23 BK.	2,00			--
0029	MPVR40515		POIGNEE PW-C23	1,00			--
0030	RCVR40103		PRISE C10 3/4 F +FILT.	1,00			--
0031	LAFN40542		GOUPILLE "U" AVTB-C23	1,00			--
0032	RCDS40185		RACCORD PW-C23 C/MAN	1,00			--
0033	MPVR40484		TAMBOUR PW-C23	1,00			--
0034	MPVR40460		MANIVELLE PW-C10	1,00			--
0035	MPVR40719		SUPPORT E.PMP PW-C23	1,00	09/09/2014		--

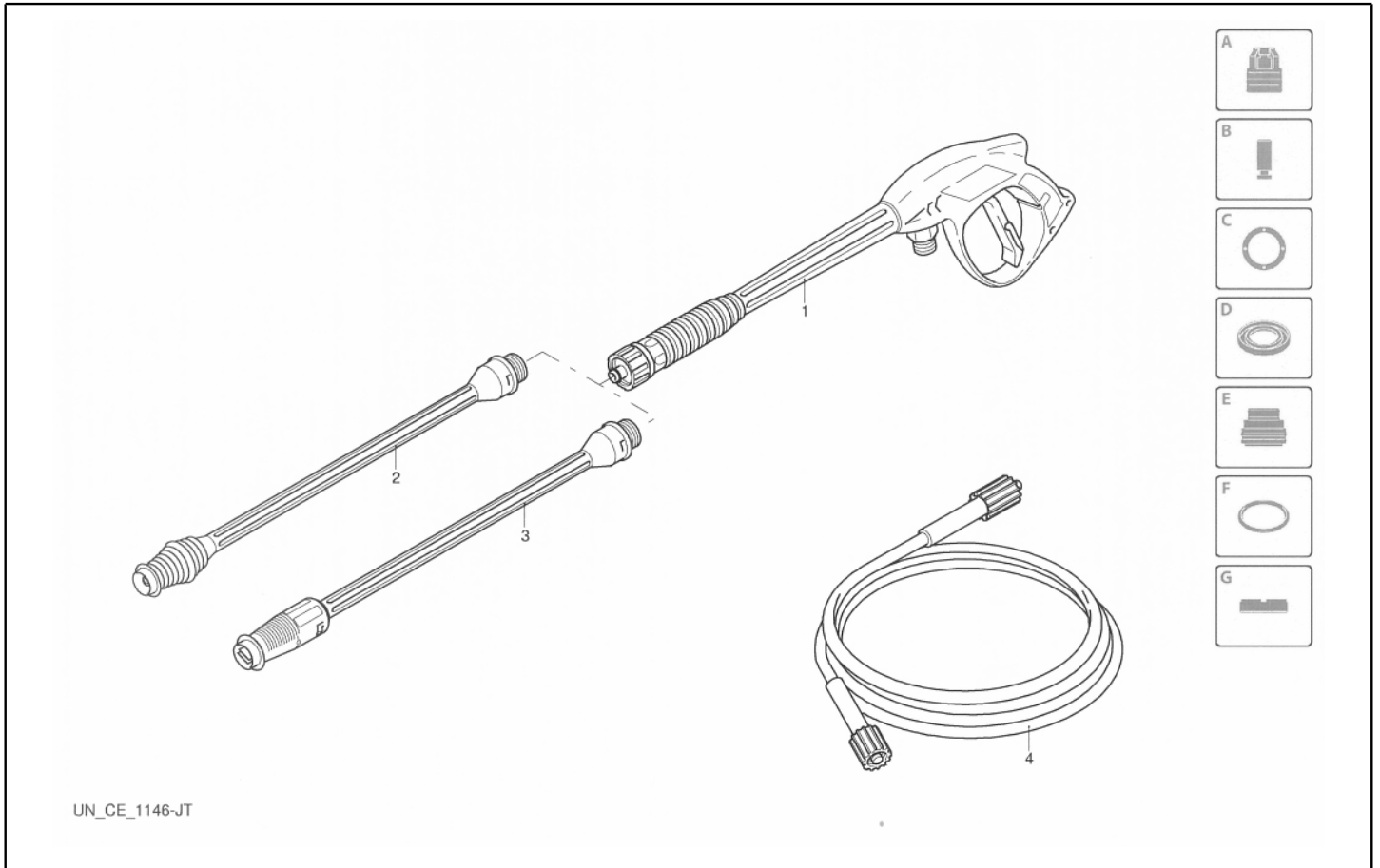


Ref. K	Part N.	Customer Part N.	Description	Quantity	Validity		Price
					From	To	
0001	PVVR40099		BOUCHON 3/8 M HRM	1,00			--
0002	MFVR40059		CULASSE AR C23 OT	1,00			--
0003	VTVT28306	00028306	VIS TCCE UNI 5931 8X45 ZB	3,00			--
0004	RCDS40150		RACCORD G151	1,00			--
0005	PVVR40088		BAGUE P.GARNIT. D. 12 HRM	3,00			--
0006	PVVR40089		BAGUE INTERMED. D. 12 HRM	3,00			--
0007	MFVR40058		TIGE DE PISTON POMPA AR C23	1,00			--
0008	PVVR40087		BOUCHON AR HRM	3,00			--
0009	PVVR40358		VIS SEDE SFERA AR	1,00			--
0010	KTRI40229		KIT P 15-510 PISTON+SPRING TST	1,00			--
0011	PVVR40097		TIGE DE PISTON AR TSS	1,00			--
0012	PVVR40091		OBTURATEUR AR HRM	1,00			--
0013	MLML32257	00032257	RESSORT D. 6.5 X14 D.0.5	1,00		08/09/2014	--
0013	MLML40034		RESSORT BY PASS	1,00	09/09/2014		--
0014	PVVR40359		INJECTEUR G151	1,00			--
0015	RCDS40151		RACCORD INJECTOR G151	1,00			--
0016	MEPF40020		PRESSOSTAT AR TSS	1,00			--
0017	LAFN40212		GOUPILLE "U" AR TSS	1,00			--
0018	PPAP40108		POMPE AR G165 PREM.	1,00			--
0019	KTRI40230		KIT P 15-42754 G151	1,00			--
0020	KTRI40231		KIT P 15-42755 G151	1,00			--
0021	KTRI40232		KIT P 15-42756 DET.SUC. G151	1,00			--
0022	CUVR40019		ROULEMENT AR	1,00			--



UN_CE_1543-KR

Ref. K	Part N.	Customer Part N.	Description	Quantity	Validity		Price
					From	To	
0001	VTVT06237	00006237	VIS TCEI 6X20 UNI5931	1,00			--
0002	VTRS40018		RONDELLE D. 6 X10 GROWER	1,00			--
0003	PVVR40361		PLAT G161	1,00			--
0004	VEVR40011		HELICE C23	1,00			--
0005	VTVR40046		BAGUE C23	1,00			--
0006	MOMO40034		MOTEUR 1PH ARC23 W 2500 230-50 AR	1,00			--
0007	KTRI40296		KIT P 15-43056 BEARING AR	1,00	09/09/2014		--



Ref. K	Part N.	Customer Part N.	Description	Quantity	Validity		Price
					From	To	
0001	IPPR40012		PISTOLET BIT +P270 +M22 M	1,00			--
0002	LCPR40079		LANCE R.POWER P 440 +M22 D.1.07	1,00			--
0003	LCPR40074		LANCE M.REG P 440 +M22 D.1,07GR	1,00			--
0004	TBAP40108		TUYAU H.P. SAE MT 12 1/4 -1IRV	1,00			--



Volt



⇒ 1 ÷ 25 m



⇒ 25 ÷ 50 m

230

3 x 1,5 mm²

3 x 2,5 mm²

