

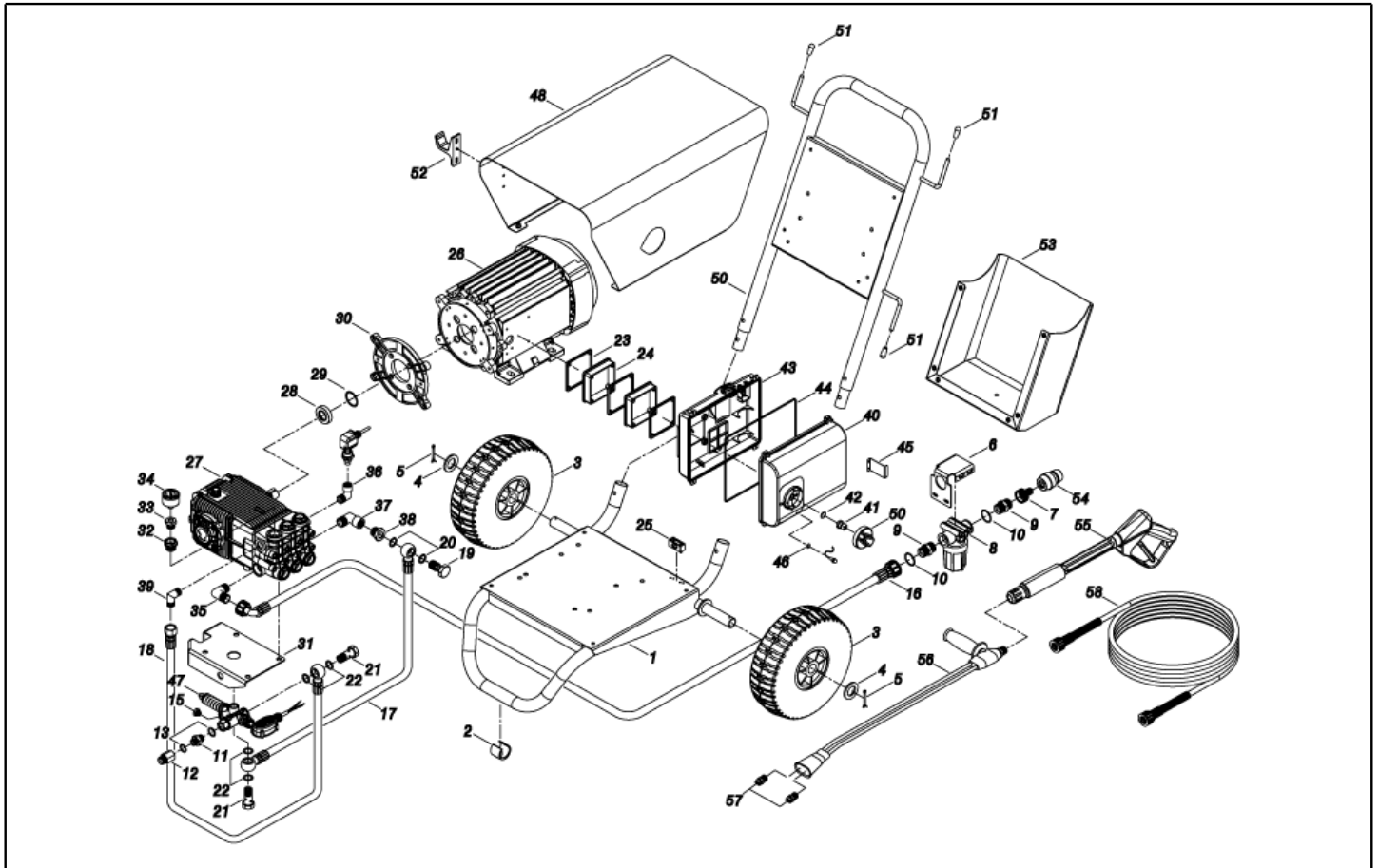


**IPC**

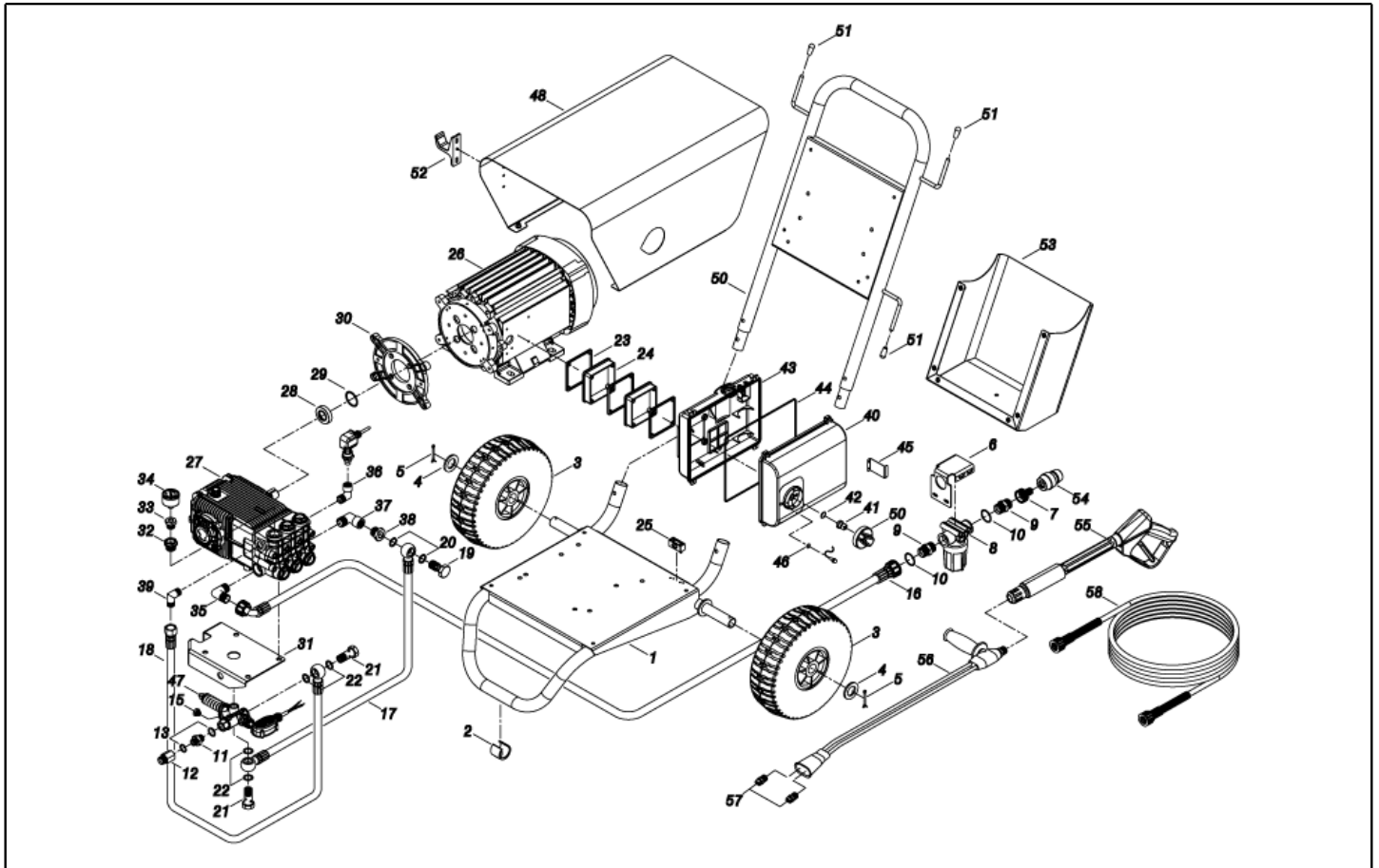
## **Spare Parts List**

Ref: IDAF50801

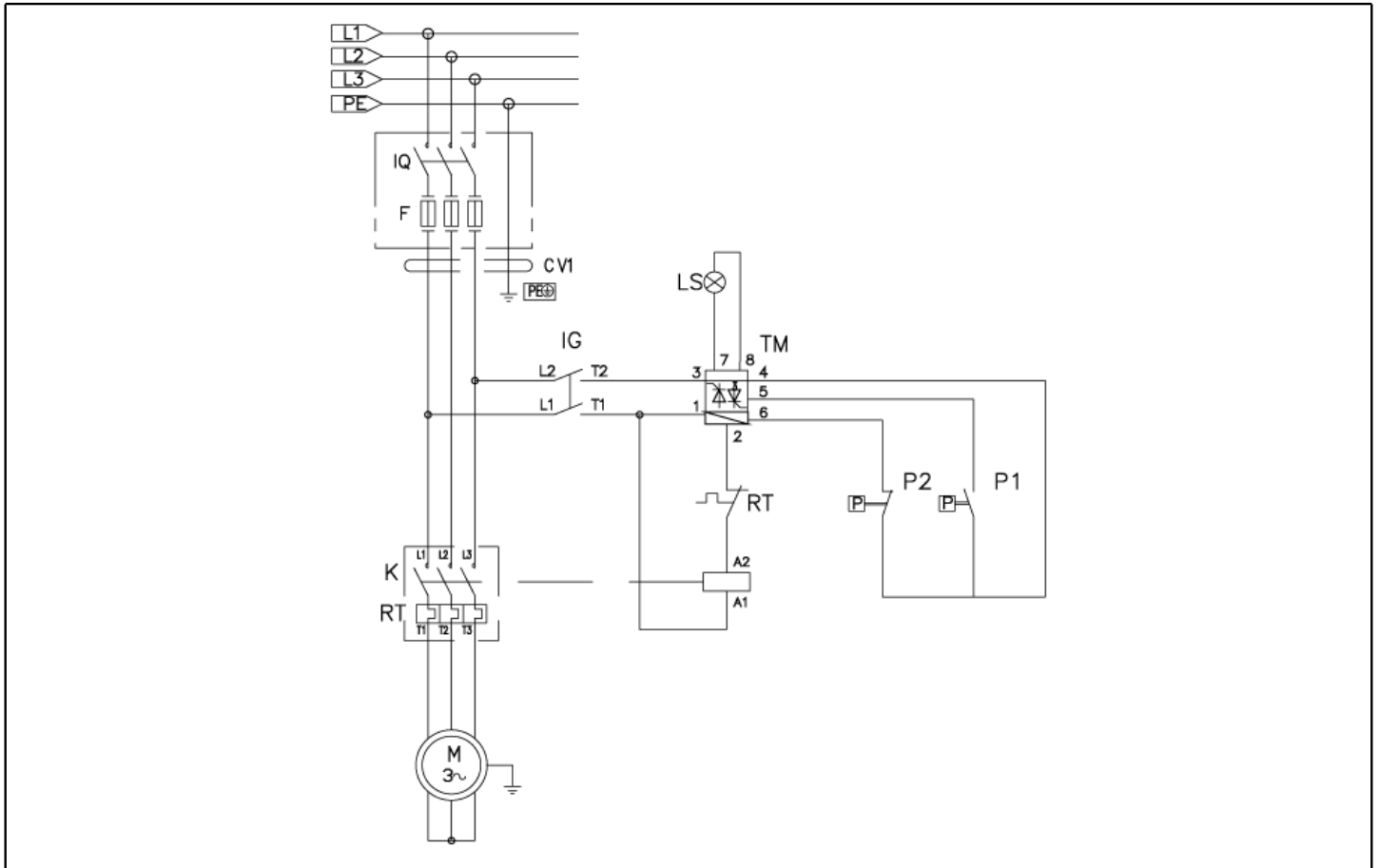
Model: PW 160/26 TRI X



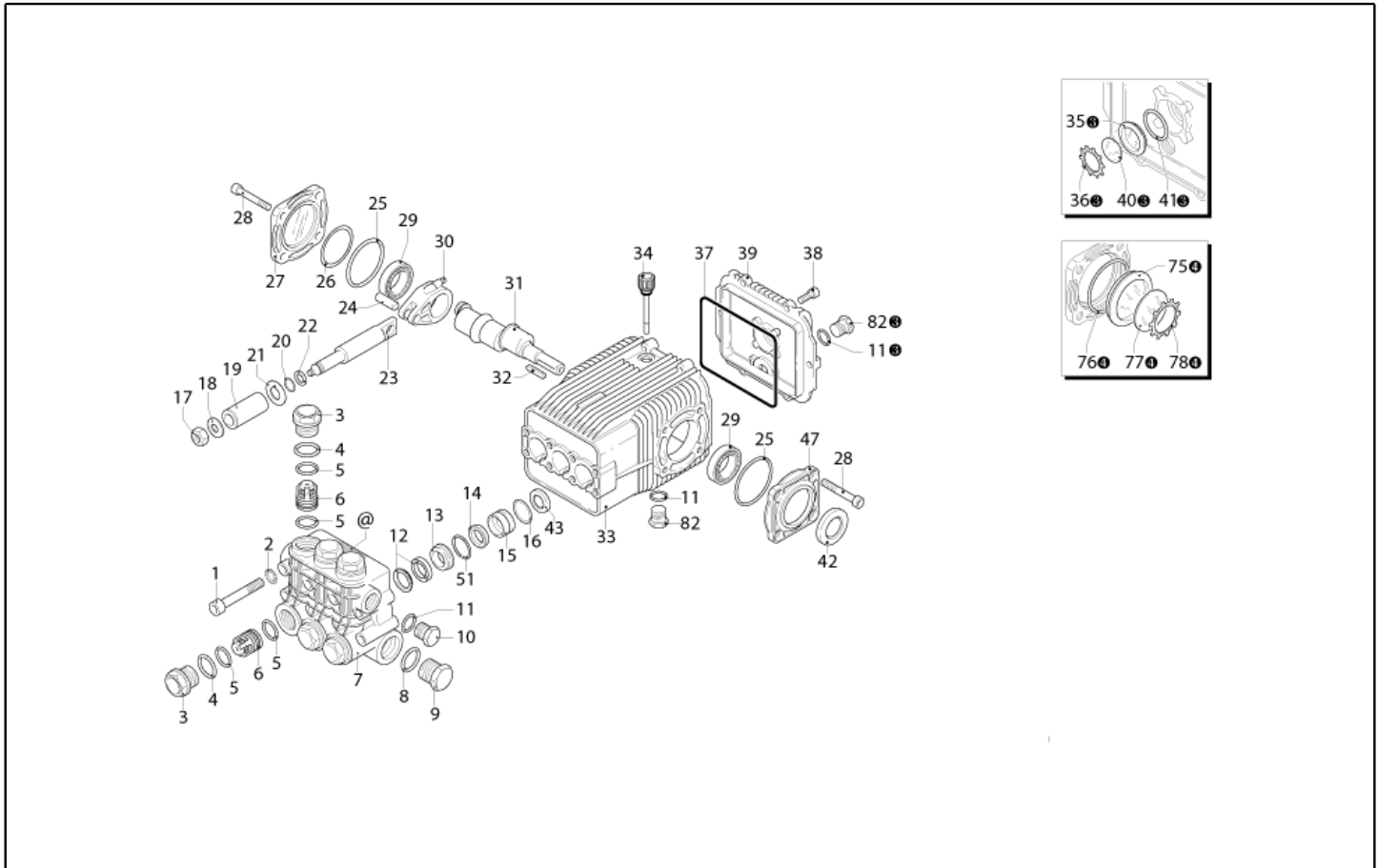
Ref. K	Part N.	Customer Part N.	Description	Quantity	Validity		Price
					From	To	
0001	LAFN40812		CHARIOT PW-C85 12-15HP AL.	1,00			--
0002	MPVR40787		PETIT PIED D.28-30MM P.7.5MM	1,00			--
0003	RTRT40007		ROUE D. 11,4"X 4/4 -D.25 PN.	2,00			--
0004	VTRS73055	00073055	RONDELLE D.44x26x4 ZC U.6592	2,00			--
0005	VTVR00475	00000475	GOUPILLE D. 4X40	2,00			--
0006	LAFN40811		ETRIER FILTRE PW-C85 10HP AL.	1,00			--
0007	RCVR29600	00029600	PRISE PTC 3/4 F	1,00			--
0008	FTAC40015		FILTRE EAU 3/4 FF 100MS 55L/1 TC	1,00			--
0009	RCVR40006		NIPPLE 3/4 - 3/4 D.18 L=60 PPL	2,00			--
0010	GUGO01043	00001043	O-RING D. 25.07 X 2.62 NBR 70SH	2,00			--
0011	RCDS00610	00000610	NIPPLE 3/8 - 3/8 SV	1,00			--
0012	RCIN03753	00003753	RACCORD MALE M22-3/8 M-FA	1,00			--
0013	VTRS00548	00000548	RONDELLE D.17,5X23X1,5 (3/8)RM	2,00			--
0014	TBAP40014		TUYAU H.P. R1 MT 15 3/ 8" C/2 IRV IX	1,00			--
0015	RCVR00659	00000659	BOUCHON 1/4 M	1,00			--
0016	TBBP40100		TUYAU B.P. L=515 3/4F 90° -3/4F 0°	1,00			--
0017	TBAP40188		TUYAU D.JONCT. 1/ 2 R1 L=305 1/2OC.-3/8O	1,00			--
0018	TBAP40189		TUYAU D.JONCT. 3/ 8 R1 L=365 3/8O.-3/8F	1,00			--
0019	RCDS16328	00016328	VIS CREUSE G 1/2 D.8	1,00			--
0020	VTRS00549	00000549	RONDELLE D.21,5X27X1.5 (1/2) RM	2,00			--
0021	RCDS01371	00001371	VIS CREUSE G 3/8 A.P.	2,00			--
0022	VTRS00548	00000548	RONDELLE D.17,5X23X1,5 (3/8)RM	4,00			--
0023	GUGO10881	00010881	JOINT M.E.L. 73X73	3,00			--
0024	MPVR40348		ENTRETOISE C50 H.22 PP	2,00			--
0025	MEVR20906	00020906	COLLIER DE SER. KSM	1,00			--
0026	MOTR40058		MOTEUR 3PH C85 HP 9 2/460-5/60 RR/K	1,00			--
0027	PPAP40117		POMPE XW 26.20 DX NC	1,00			--
0028	RCDS34756	00034756	DOUILLE IP W15 OT	1,00			--
0029	GUGO42285	00042285	O-RING D. 35 X 2.5 VIT.70SH	1,00			--
0030	MFVR21735	00021735	CONTRE-BRIDE MEC 112 2.V	1,00			--
0031	LAFN40810		SOUPAPE ETRIER PW-C85/10 AL.	1,00			--
0032	PVVR40450		BOUCHON AR XWLA +1/8F	1,00			--
0033	RCVR40156		MANCHON 1/8 M/F L= 23 OT.NK	1,00			--
0034	MNMN18650	00018650	MANOMETRE 0-300 D.40	1,00			--
0035	RCVR40153		COUDE 3/4"-1/2" M OT.	1,00			--
0036	RCVR72833	00072833	COUDE 3/8"-1/4" M/F A.P.Cn OTT.	1,00			--
0037	RCVR40176		COUDE 3/4" M/F O.NIK	1,00			--
0038	RCVR40042		REDUCTION 3/4-1/2 M/F NIK	2,00			--
0039	RCVR40590	00040590	COUDE 3/8" M A.P. OT.MTM	1,00			--
0040	MPVR40789		COUVERCLE BOITE PW-C85 C/F.Led ABS BK.	1,00			--
0041	MPVR23482	00023482	TALON TEC. TUV	1,00			--
0042	GUGO25527	00025527	O-RING D. 14 X 3 NBR 70SH	1,00			--
0043	MPVR40669		BOITE CONTROLE PW-C50 MP/DS ABS BK.	1,00			--
0044	GUGO33675	00033675	JOINT MOUSSE D. 4	0,90			--



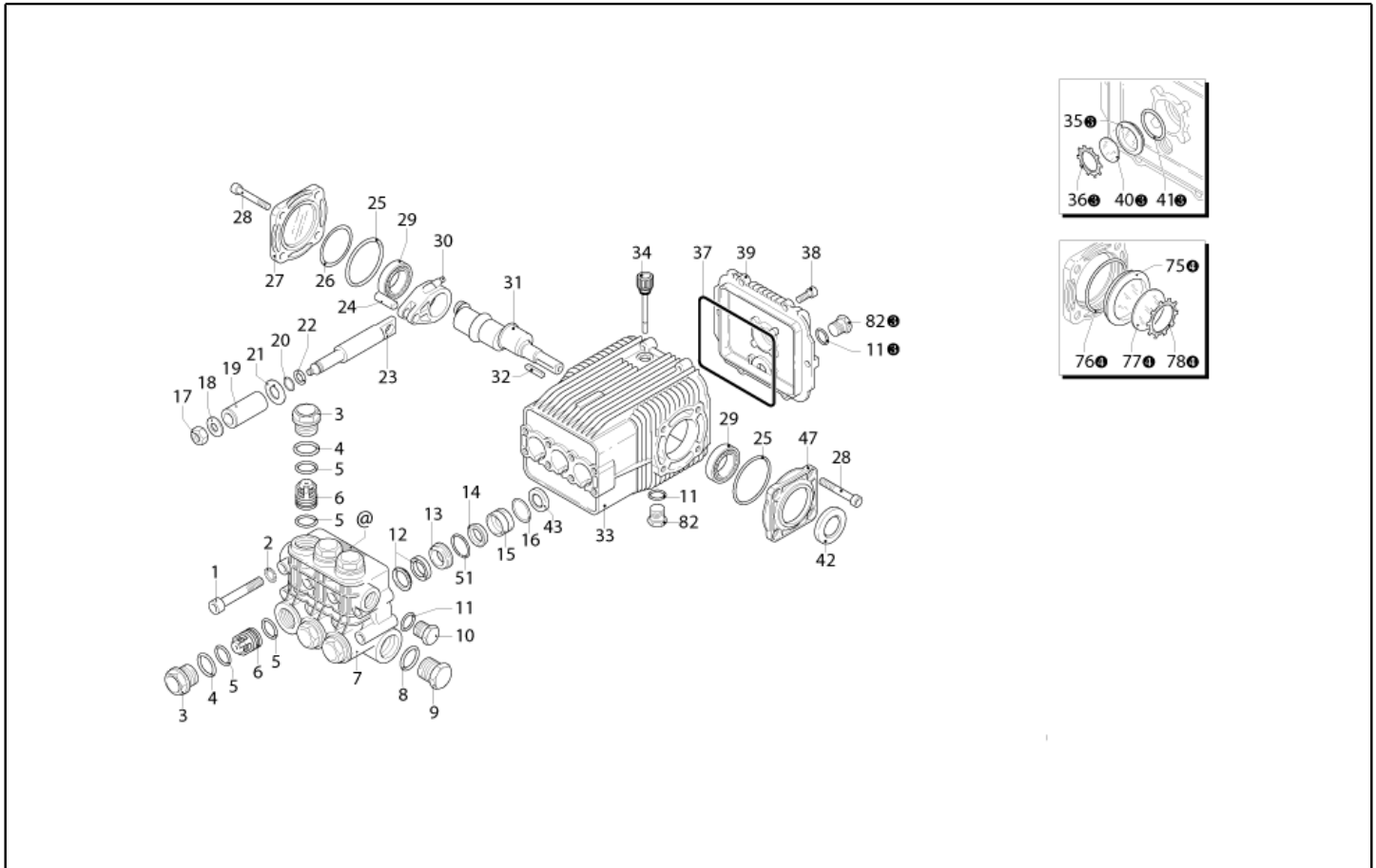
Ref. K	Part N.	Customer Part N.	Description	Quantity	Validity		Price
					From	To	
0045	LAFN40830		SUPPORT PW-C85 INX	1,00			--
0046	GUGO40058		JOINT D. 7.7-11 X1 NBR 70SH	1,00			--
0047	VVAZ40049		SOUPAPE VRT3 3/8F 25MPa +1/4F+SW	1,00			--
0048	LAFN40809		COUVERTURE PW-C85 10HP AL.	1,00			--
0049	MPVR49057	00049057	POIGNEE NOIRE P176-M.RACE PA6	1,00			--
0050	LAFN40816		POIGNEE PW-C85 12-15HP AL.	1,00			--
0051	MPVR32471	00032471	EMBOUT D. 8 BK	3,00			--
0052	MPVR14947	00014947	PORTE LANCE NYL 66	1,00			--
0053	LAFN40817		PORTE-OUTIL PW-C85/15 NTR AL.	1,00			--
0054	RCVR29602	00029602	RACCORD D. 1/2"-5/8" PTC	1,00			--
0055	IPPR40020		POIGNEE G 6000+P.330 +M22 SW.M V	1,00			--
0056	LCPR12983	00012983	RALLONGE DOUBLE PD 70	1,00			--
0057	UGLN02314	00002314	BUSE LECH 1/4 2510	2,00			--



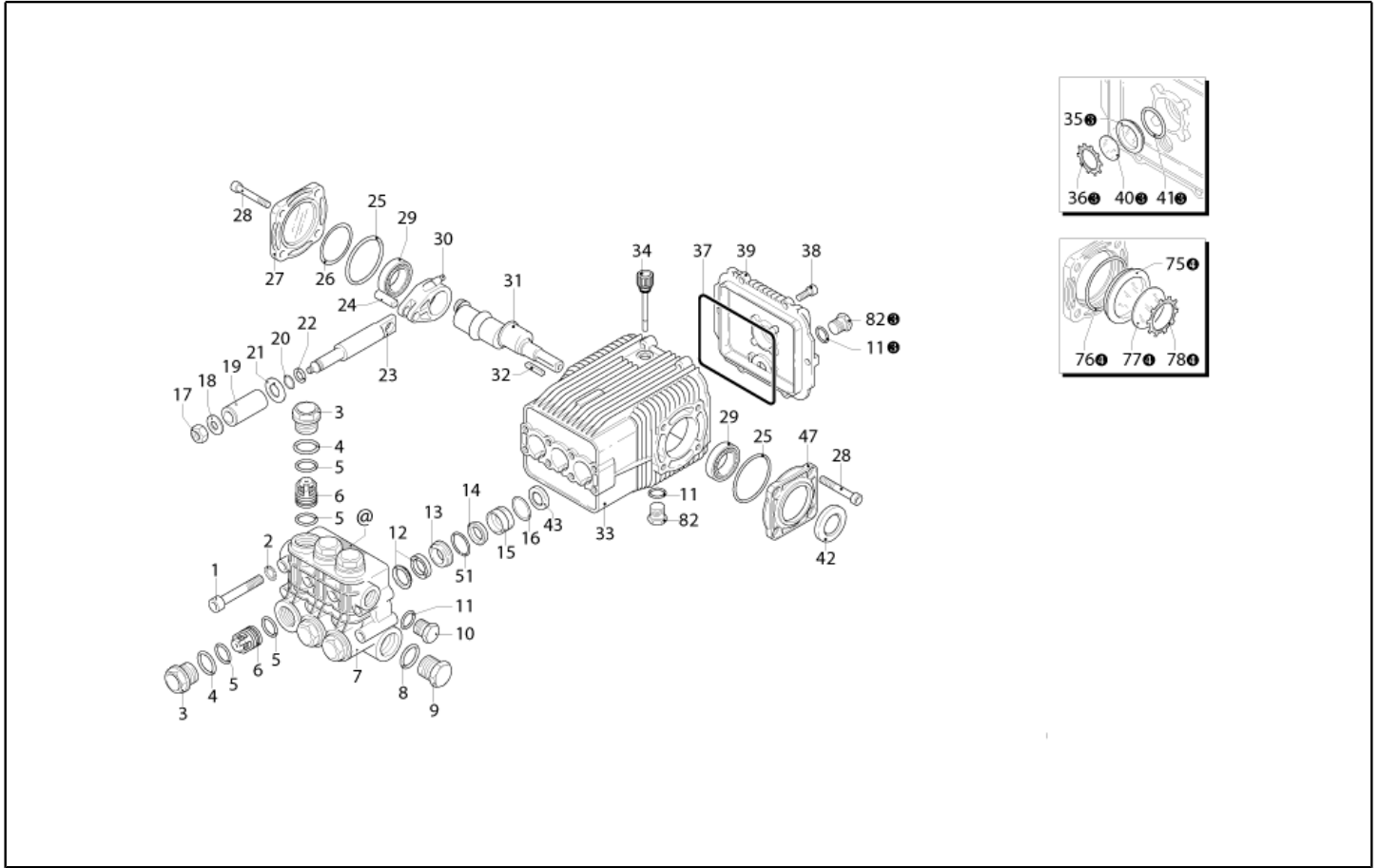
Ref. K	Part N.	Customer Part N.	Description	Quantity	Validity		Price
					From	To	
K	METT40021		TELERUPTEUR SIE 3RT 2025-1AV00 400V	1,00			--
IG	MECI40020		INTERRUPTEUR BRM BP. 0-1 12A	1,00			--
LS	MELF40004		AMPOULE LED RD. 6V H8TT RR FL 06	1,00			--
P1	MEPF39902	00039902	PRESSOSTAT MTM 1/4M NA/NC 25B. MICRO	1,00			--
TM	METY40010		MINUTEUR THV/1-DS 400-5/60 30S.1P	1,00			--
CV1	MECB89888		CABLE H07 RNF 4X2.5 L=6.500	1,00			--



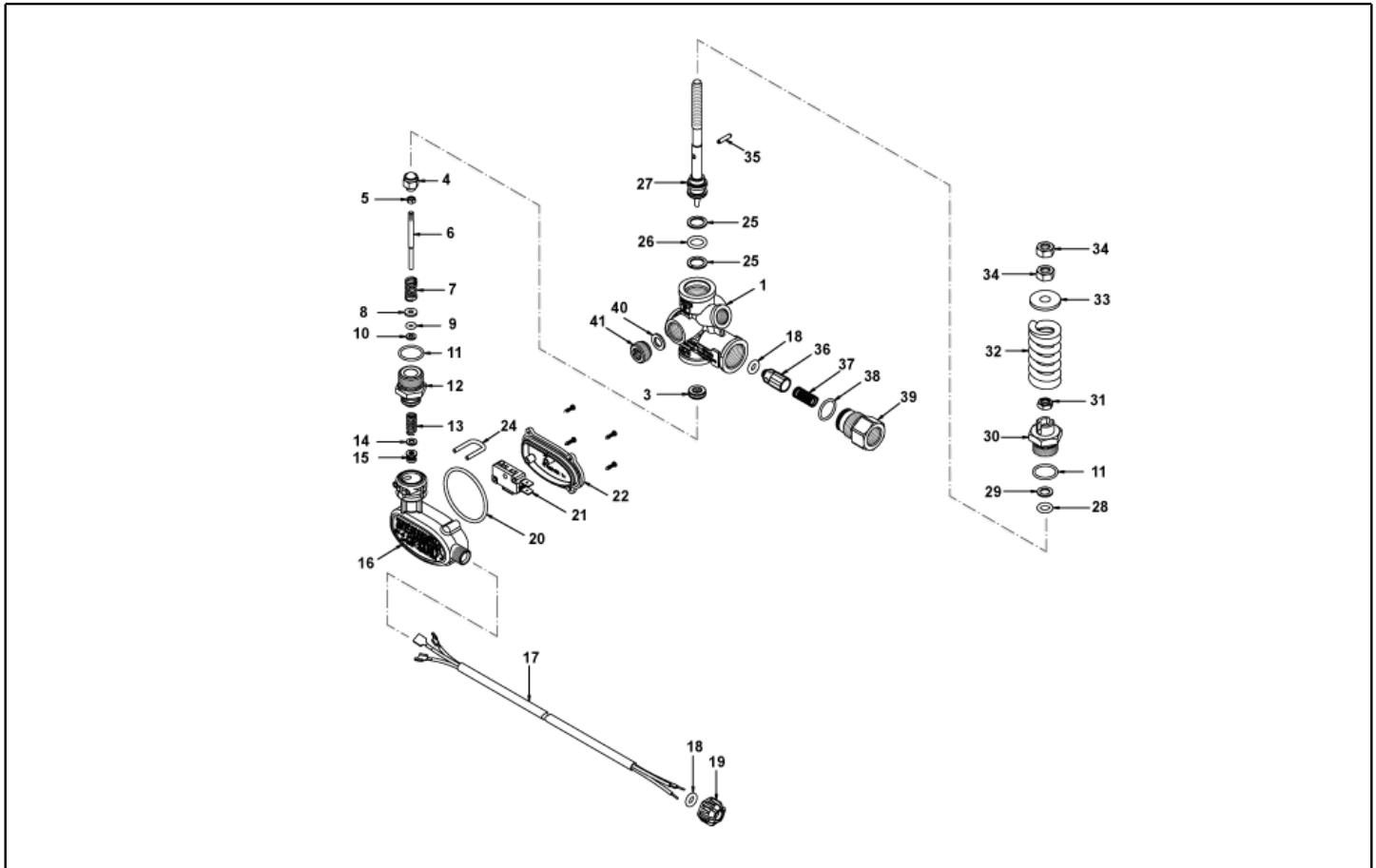
Ref. K	Part N.	Customer Part N.	Description	Quantity	Validity		Price
					From	To	
0001	VTVT17597	00017597		8,00			--
0002	VTRS00519	00000519	RONDELLE D.10 DT	8,00			--
0003	PVVR40220		BOUCHON AR XWLA	6,00			--
0004	PVVR49445	00049445	BAGUE XW	6,00			--
0005	S GUGO19395	00019395	O-RING D. 20.24 X 2.62 NBR 70SH	12,00			--
0006	S VVAM40006		ENSEMBL. CLAPET XWLA	6,00			--
0007	MFVR40068		CULASSE AR XW OT. D.20	1,00			--
0008	GUGO01037	00001037	O-RING D. 23.81 X 2.62 NBR 70SH	1,00			--
0009	PVVR40221		BOUCHON 3/4G M XWLA	1,00			--
0010	PVVR40099		BOUCHON 3/8 M HRM	1,00			--
0011	GUGO09720	00009720	O-RING D. 14 X 1.78 NBR 70SH	3,00			--
0012	S GUVR40052		BAGUE D'ETANCH. D. 20 RK W1	3,00			--
0013	S PVVR40451		BAGUE INTERMED. D.20 XW	3,00			--
0014	S GUVR40053		BAGUE D'ETANCH. D. 20 RK W2	3,00			--
0015	S PVVR40453		BAGUE INTERMED. D. 20 XW	3,00			--
0016	S GUGO63438		O-RING D. 34.65 X 1.78 NBR 70SH	3,00			--
0017	VTDD40005		ECROU TEN. PISTONE	3,00			--
0018	VTRS40012		RONDELLE D. 8,1x18,5x1	3,00			--
0019	S PIVR40015		PISTON D.20 XW	3,00			--
0020	GUGO03496	00003496	O-RING D. 9.25 X 1.78 NBR 70SH	3,00			--
0021	PVVR40455		DISQUE XW	3,00			--
0022	GUVR40010		BAGUE ANTIEXTR. D. 9 X13	3,00			--
0023	PVVR40223		TIGE DE PISTON XWLA	3,00			--
0024	PVVR40186		CHEVILLE-GOUJON D. 14 RW	3,00			--
0025	S GUGO01132	00001132	O-RING D. 66.35 X 2.62 NBR 70SH	2,00			--
0026	PVVR40187		EPAISSEUR AR 0,05 mm	3,00			--
0026	PVVR40189		EPAISSEUR AR 0,10 mm	3,00			--
0026	PVVR40192		EPAISSEUR AR 0,19 mm	3,00			--
0026	PVVR40193		EPAISSEUR AR 0,25 mm	3,00			--
0027	MFVR40035		COUVERCLE CART. AR RW LAT. CPL	1,00			--
0028	VTVT01118	00001118	VIS TCEI M 8X16 ZC. UNI 5931	8,00			--
0029	CUVR09205	00009205	ROULEM.A ROUL. 32206 A	2,00			--
0030	BLVR40006		BIELLE SHPA	3,00			--
0031	ALMO40038		ARBRE AR XW 26.20 NC	1,00			--
0032	VTVR40055		CLAVETTE 8X 7X36 UNI 6604A	1,00			--
0033	MFVR40032		CARTER POMPE AR RW	1,00			--
0034	PVVR40150		BOUCHON HUILE AR SHP	1,00			--
0035	PVVR19238	00019238	VOYANT HUILE XTS	1,00			--
0036	VTAE19239	00019239	SEEGER 0,5 X25,35X16,0	1,00			--
0037	S GUGO40020		O-RING D. 132 X 3 NBR 70SH	1,00			--
0038	VTVT09913	00009913	VIS TCEI 6X16 UNI5931	6,00			--
0039	MFVR40034		COUVERCLE CART. AR RW	1,00			--
0040	PVVR40199		DISQUE CONTRASTO POMPA RW	1,00			--
0041	GUGO19395	00019395	O-RING D. 20.24 X 2.62 NBR 70SH	1,00			--



Ref. K	Part N.	Customer Part N.	Description	Quantity	Validity		Price
					From	To	
0042	S	GUGO11229	00011229	JOINT SPI 30X 52X 7 NBR70	1,00		--
0043	S	GUGO40019		JOINT SPI RW	3,00		--
0047		MFVR40033		COUVERCLE CART. AR RW LAT. OPEN	1,00		--
0051	S	GUGO10379	00010379	O-RING D. 22 X 2 NBR 70SH	3,00		--
0075		PVVR40200		VOYANT HUILE RW	1,00		--
0076		GUGO01943	00001943	O-RING D. 34.6 X 2.62 NBR 70SH	1,00		--
0077		PVVR40202		DISQUE CONTRASTO POMPA RW	1,00		--
0078		VTAE40004		SEEGER 0,5 X40,40X30,0	1,00		--
0079		PVVR40235		BOUCHON 3/4G M XLWL	1,00		--
0082		PVVR40099		BOUCHON 3/8 M HRM	2,00		--

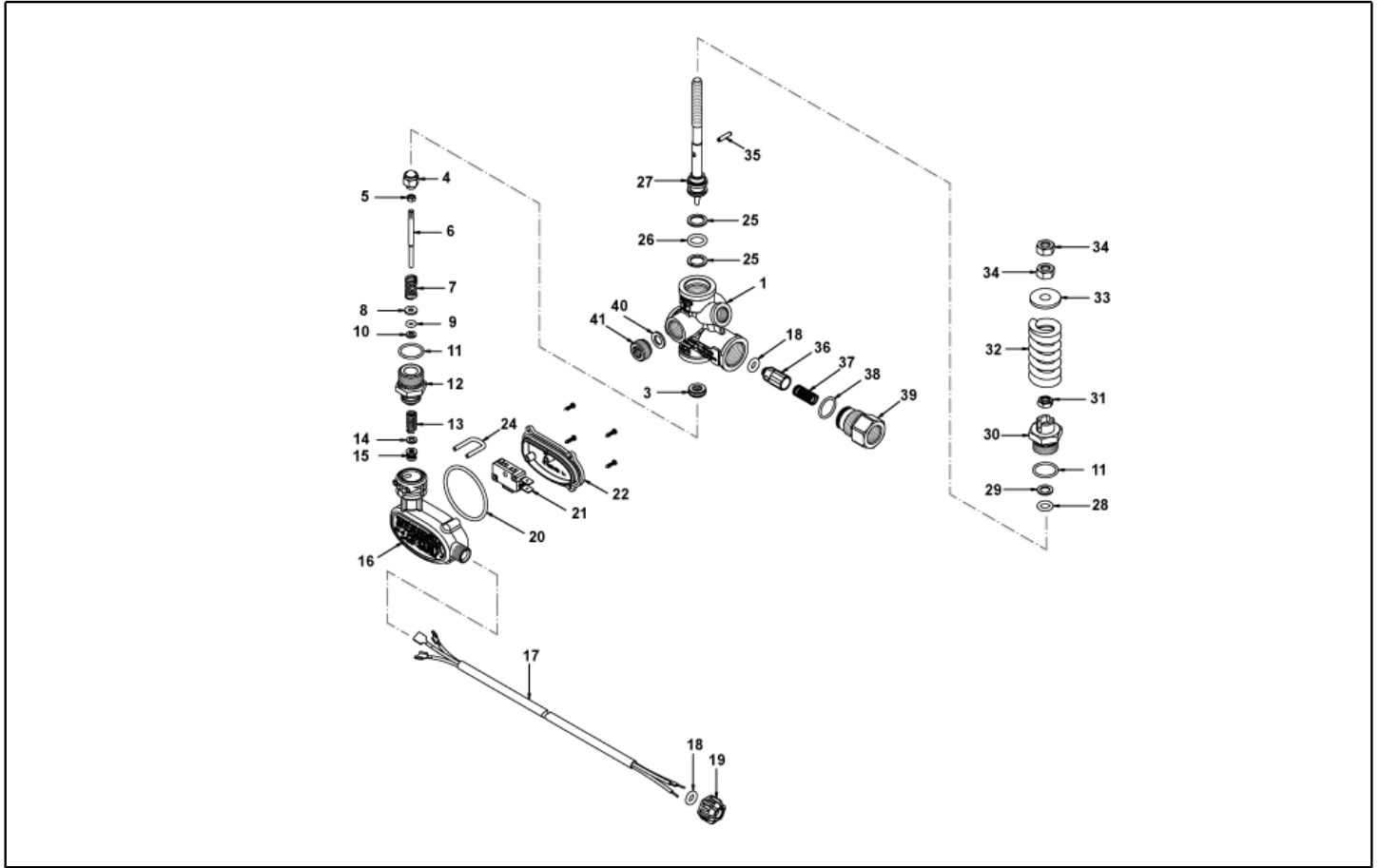


Ref. Part N.	Cust. Part N.	Description	Reference	Price
K A	KTRI45173	KIT P 15-2780 XW	0005 0006	--
K B	KTRI45174	KIT P 15-2650 XW D.20	0019	--
K C	KTRI45175	KIT P 15-42906 XW	0025 0037 0042 0043	--
K E	KTRI45176	KIT P 15-2782 XW D.20	0012 0014 0016 0051	--
K H	KTRI45177	KIT P 15-2784 XW D.20	0013 0015	--

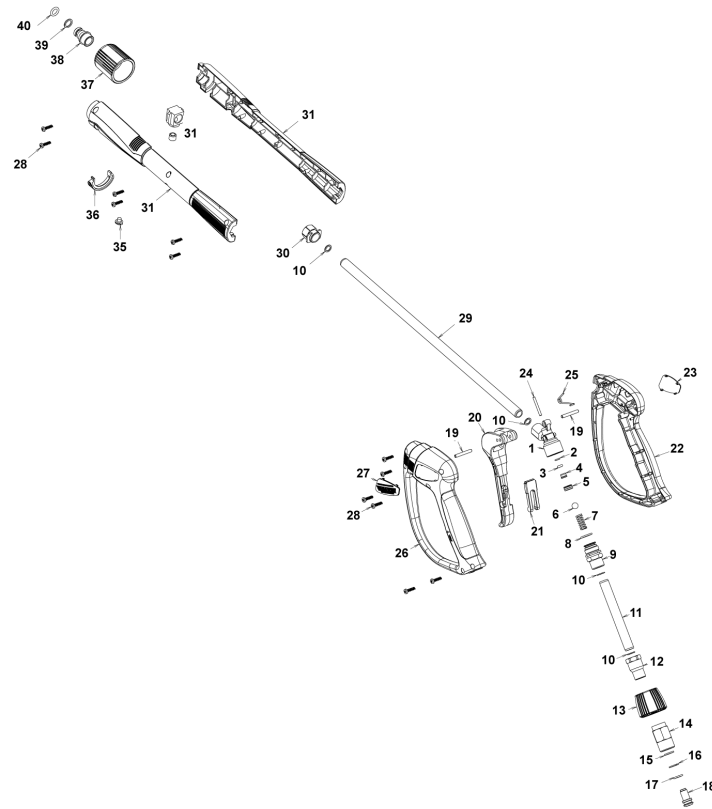


Ref. K	Part N.	Customer Part N.	Description	Quantity	Validity		Price
					From	To	
0001	PVVR40342		CORPS VALVE VRT3 3/8F	1,00			--
0003	S PVVR40343		SIEGE BILLE D.7 VRT3 + OR	1,00			--
0004	S PVVR40456		OBTURATEUR VRT 11/32"	1,00			--
0005	S VTDD63179	00063179	ECROU M 4 OT.	1,00			--
0006	S PVVR40457		TIGE D.CONTROLE PS6 MV 0316	1,00			--
0007	MLML40024		RESSORT MV0316 28	1,00			--
0008	VTRS40031		RONDELLE D. 4 X10 X1.5 OT	1,00			--
0009	S GUGO01201	00001201	O-RING D. 3.6 X 2.4 -NBR 70SH	1,00			--
0010	S GUVR41557	00041557	BAGUE ANTIEXTR. D. 4 X 7.8X1.2	1,00			--
0011	S GUGO24913	00024913	O-RING D. 17.17 X 1.78 NBR 90SH	2,00			--
0012	PVVR40458		RACCORD PS6 VRT-3	1,00			--
0013	MLML40033		RESSORT PS2 15BAR	1,00			--
0014	VTRS40032		RONDELLE D. 4.5X8.5X1.0 OT	1,00			--
0015	S GUVR40090		JOINT PS3 VRT-3	1,00			--
0016	MPVR40813		COQUILLE PS6 BK.	1,00			--
0017	MECB40341		CABLE 3X1 L=1.2 BK.	1,00			--
0018	S GUGO46053	00046053	O-RING D. 6 X 3 NBR 90SH	2,00			--
0019	MPVR40814		FRETTE PS3 BK.	1,00			--
0020	S GUGO02267	00002267	O-RING D. 44.12 X 2.62 NBR -70SH	1,00			--
0021	MECI40039		MICROINTERRUPT. XG PS6	1,00			--
0022	MPVR40815		COUVERCLE PS6 BK.	1,00			--
0024	LAFN40886		GOUPILLE "U" PS6	1,00			--
0025	S GUVR40070		BAGUE ANTIEXTR. D. 11.5X15.9X1.2	2,00			--
0026	S GUGO11225	00011225	O-RING D. 10.78 X 2.62 NBR 70SH	1,00			--
0027	PVVR40345		TIGE SOUPAPE VRT3	1,00			--
0028	S GUGO21638	00021638	O-RING D. 7.60 X 2.62 NBR 70SH	1,00			--
0029	S GUVR40071		BAGUE ANTIEXTR. D. 8 X 12.6	1,00			--
0030	PVVR40346		GUIDE TIGE VRT3	1,00			--
0031	VTDD40011		ECROU M 8 OT UNI EN 24035	1,00			--
0032	MLML40025		RESSORT D. 5.7/20.7X56 25MPa	1,00			--
0033	VTRS40033		RONDELLE VRT-3	1,00			--
0034	VTDD00483	00000483	ECROU M 8 ZIN UNI 5588	2,00			--
0035	VTVR40045		PRISE ELASTIQUE 3X14 UNI-EN28748	1,00			--
0036	PVVR40349		OBTURATEUR VRT3	1,00			--
0037	MLML40026		RESSORT VRT3	1,00			--
0038	S GUGO12321	00012321	O-RING D. 15.6 X 1.78 NBR 90SH	1,00			--
0039	PVVR40350		RACCORD VRT3 G 3/8F	1,00			--
0040	VTRS12254	00012254	RONDELLE D. 8X14X1.5	1,00			--
0041	PVVR40351		BOUCHON EI G 3/8 VRT3 OT	1,00			--





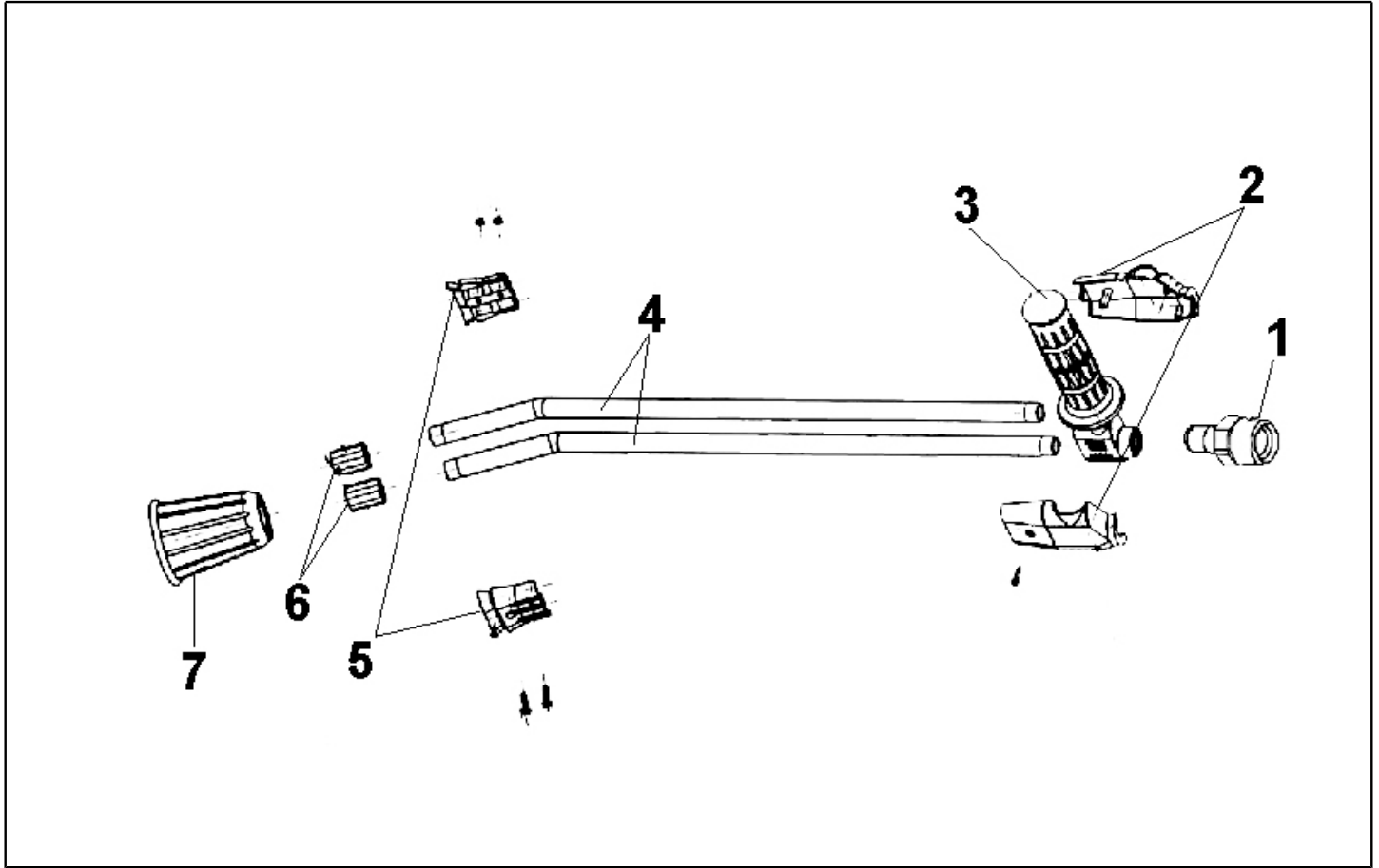
Ref. Part N.	Cust. Part N.	Description	Reference	Price
KTRI40392		KIT P 14-112 VRT3 +PS6	0003 0004 0005 0006 0009 0010 0011 0015 0018 0020 0025 0026 0028 0029 0038	--



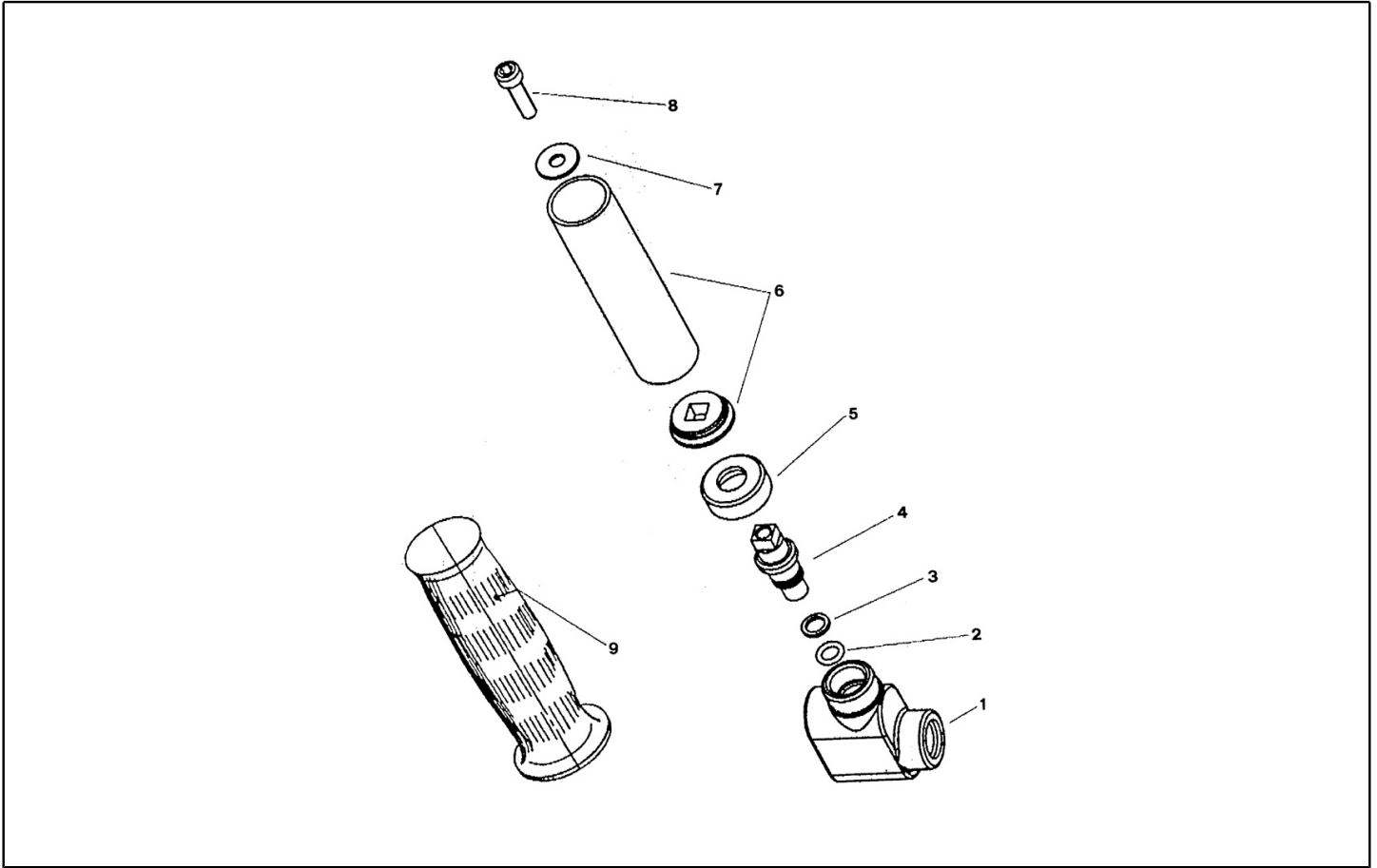
Ref. K	Part N.	Customer Part N.	Description	Quantity	Validity		Price
					From	To	
0001	PVVR40381		CORPS PISTOLET G 5100 G1/4F	1,00			--
0002	S GUVR40074		BAGUE ANTIEXTR. D. 3 X 7.4X1.3	1,00			--
0003	S GUGO21835	00021835	O-RING D. 2.84 X 2.62 VIT. 80SH	1,00			--
0004	PVVR40382		TIGE DE PISTON G 5100	1,00			--
0005	S PVVR40112		SIEGE BILLE G 5000	1,00			--
0006	S SFVR40002		BILLE D.11/32" ALL.GR16	1,00			--
0007	MLML40016		RESSORT D. 9.4 x21.5x1.6 G5000	1,00			--
0008	GUGO12322	00012322	O-RING D. 14 X 1.78 NBR 90SH	1,00			--
0009	PVVR40383		RACCORD COLL.G5100 1/4F	1,00			--
0010	VTRS40017		RONDELLE D. 8.2X11,4X1.00	4,00			--
0011	PVVR40384		TUYAU G 1/4" L.105	1,00			--
0012	RCIN40022		RACCORD SWIV G5100 1/4F	1,00			--
0013	MPVR40819		FRETTE G 5100 SW. BK.	1,00			--
0014	RCIN40021		BRANCHEMENT SWIV 5100 M22	1,00			--
0015	S GUVR40075		BAGUE ANTIEXTR. D. 10 X14X1.5	1,00			--
0016	S GUVR40076		BAGUE ANTIEXTR. D. 11.2X14X1.2	1,00			--
0017	S GUGO15295	00015295	O-RING D. 10.82 X 1.78 VIT 80SH	1,00			--
0018	PVVR40386		VIS SW. G 5100	1,00			--
0019	VTVR40047		GOUPILLE D. 4X29	2,00			--
0020	MPVR40820		GACHETTE G 6000-SW	1,00			--
0021	MPVR40821		DISP.D.SECURITE G 6000-SW	1,00			--
0022	MPVR40822		COQUILLE G 6000-SW DX	1,00			--
0023	MPVR40823		PLAQUE G 6000 GR.DX	1,00			--
0024	PVVR40387		PETIT PISTON G 5100	1,00			--
0025	MLML40029		RESSORT G 5100	1,00			--
0026	MPVR40824		COQUILLE G 6000-SW SX	1,00			--
0027	MPVR40825		PLAQUE G 6000 GR.SX	1,00			--
0028	VTVT40043		VIS AF 4X 14 HILO ZN.N	12,00			--
0029	LCPR40086		TUYAU 1/4 L=420 ZC. 0°	1,00			--
0030	MPVR40493		RACCORD G 5100-SW	1,00			--
0031	MPVR40494		PROTECTION P 420 C/AN.	1,00			--
0035	MPVR40198		BOUCHON G 5000	1,00			--
0036	MPVR40495		BOUCHON G 5100 REM.	1,00			--
0037	PVVR40119		RONDELLE M22X1,5 IRV G5000	1,00			--
0038	RCIN40009		CHEVILLE-GOUJON G 1/4 F IRV G5000	1,00			--
0039	GUVR40034		BAGUE ANTIEXTR. D. 10 X14	1,00			--
0040	GUGO01946	00001946	O-RING D. 9.13 X 2.62 VIT 70SH	1,00			--



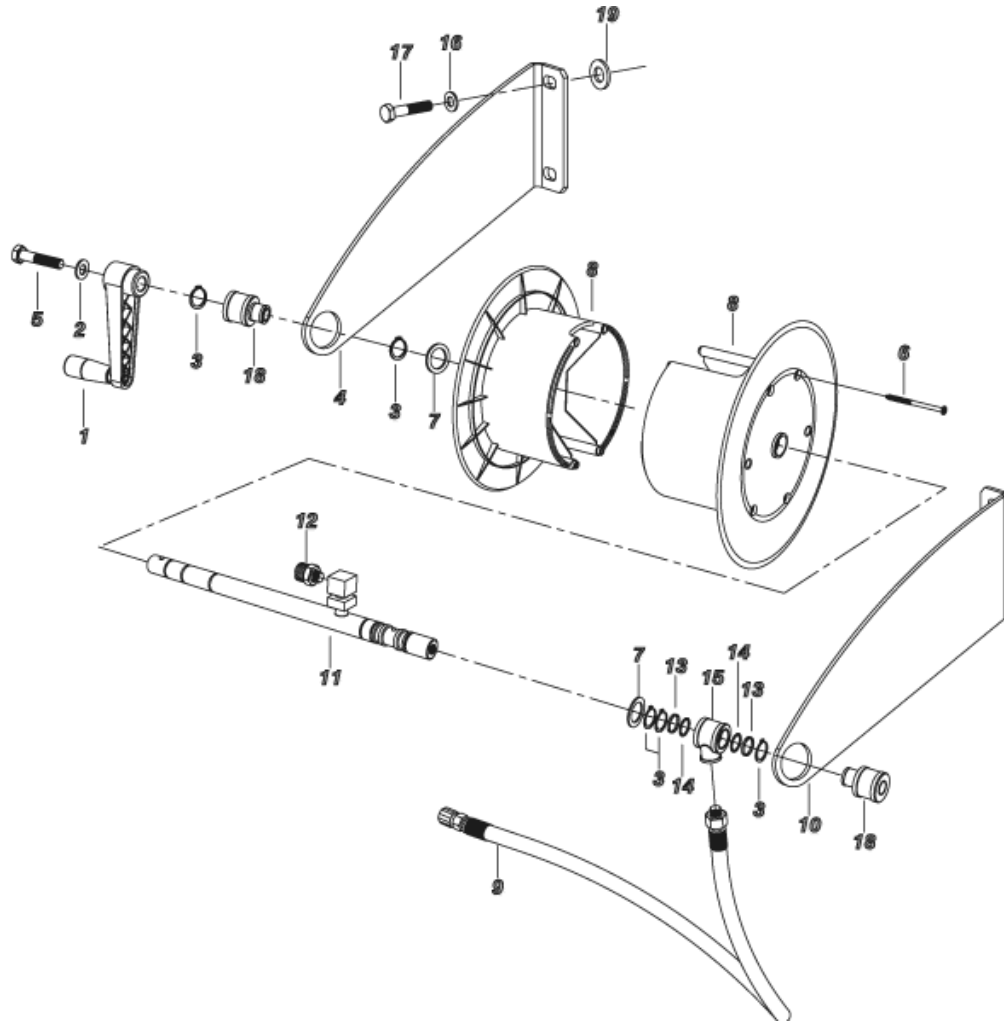
Ref. Part N.	Cust. Part N.	Description	Reference	Price
KTRI40243		KIT P 26- 26 SWIVEL G 5100	0015 0016 0017	--
KTRI40414		KIT P 26- 34 G 6000	0002 0003 0005 0006	--



Ref. K	Part N.	Customer Part N.	Description	Quantity	Validity		Price
					From	To	
0001	PVVR45296	00045296	RACCORD G 1/4M -M22 M +PR.PLS	1,00			--
0002	MPVR45214	00045214	PROTECTION TB.1/4 MTM	1,00			--
0003	RCGR45737	00045737	ROBINET 1/8 F LD MTM	1,00			--
0004	LCPR45740	00045740	TUYAU 1/8 L=660 INOX MTM	2,00			--
0005	MPVR45001	00045001	COQUILLE LD MTM	1,00			--
0006	RCVR45741	00045741	PORTE BUSE 1/4-1/8 F MTM	2,00			--
0007	PVVR43810	00043810	PROTECTION L.D. MTM	1,00			--



Ref. K	Part N.	Customer Part N.	Description	Quantity	Validity		Price
					From	To	
0001	RCGR41556	00041556	CORPS ROBINET L.DOP. 1/8" MTM	1,00		08/03/2010	--
0001	PVVR40132		CORPS VALVE L.DP 1/4F-1/8FF CP.	1,00	09/03/2010		--
0002	GUGO10330	00010330	O-RING D. 6.07 X 1.78 VIT 70SH	1,00		08/03/2010	--
0003	GUVR41551	00041551	BAGUE ANTIEXTR. SR 010	1,00		08/03/2010	--
0004	PVVR41553	00041553	PETIT PISTON L.DP. MTM	1,00		08/03/2010	--
0005	PVVR41555	00041555	FRETTE L.DOP. MTM	1,00		08/03/2010	--
0006	LAFN41552	00041552	TUYAU D. 22 MTM	1,00			--
0007	VTRS15958	00015958	RONDELLE UNI 6592 5X15X1,5 ZB	1,00			--
0008	VTVT17639	00017639	VIS TCEI M 5X10 UNI 5931	1,00			--
0009	MPVR41554	00041554	POIGNEE D. 22 MTM	1,00			--



Ref. K	Part N.	Customer Part N.	Description	Qty	Validity:		Price
					From	To	
0001	MPVR92147		HANDLE AVV/TUB"SERIE F"138-60 M8	1,00			--
0002	VTRS00504		WASHER D. 8 TE ZC. UNI 6592	1,00			--
0003	VTAE33674		CIRCLIP D. 22 UNI 7435	1,00			--
0003	VTAE33674		CIRCLIP D. 22 UNI 7435	1,00			--
0003	VTAE33674		CIRCLIP D. 22 UNI 7435	1,00			--
0003	VTAE33674		CIRCLIP D. 22 UNI 7435	1,00			--
0003	VTAE33674		CIRCLIP D. 22 UNI 7435	1,00			--
0004	LAFN40808		HOSE WIND.SUPP.PW-H35 SX	1,00			--
0005	VTVT01573		SCREW TCEI 8X25 UNI5931	1,00			--
0006	VTVT40006		SCREW AF TCB-TC 5 X20 HILO INX	4,00			--
0007	VTRS04924		WASHER D.23X 39	1,00			--
0007	VTRS04924		WASHER D.23X 39	1,00			--
0008	MPVR40581		HOSE REEL PRT.ANM PP	1,00	10/2013		--
0008	MPVR40581		HOSE REEL PRT.ANM PP	1,00	10/2013		--
0009	TBAP40190		HOSE-FITTING 5/16 R1 3/8M -M22 F	1,00			--
0010	LAFN40808		HOSE WIND.SUPP.PW-H35 DX	1,00			--
0011	LAFN40551		AXLE PW-H35 3PZ.	1,00			--
0012	RCIN10577		MALE COUPLING 1/4MA	1,00			--
0013	GUVR37665		ANTI-EXTR.RING D.17.8X22 X1.5 PTFE	2,00			--
0014	GUGO01032		O-RING D. 17.13 X 2.62 NBR 70SH	2,00			--
0015	RCDS89862		BLOCK PRT-P237 G3/8 OT.	1,00			--
0016	VTRS00512		WASHER D. 8 X24 ZC.	4,00			--
0017	VTVT00452		SCREW TE 8X 50 UNI 5739	4,00			--
0018	MPVR40518		BUSHING D.28-38/22.5 L=12 PVC N	1,00			--
0018	MPVR40518		BUSHING D.28-38/22.5 L=12 PVC N	1,00			--
0019	VTRS40016		WASHER D.22 X32 X1.2 ZC.	1,00			--
0019	VTRS40016		WASHER D.22 X32 X1.2 ZC.	1,00			--
0019	VTRS40016		WASHER D.22 X32 X1.2 ZC.	1,00			--
0019	VTRS40016		WASHER D.22 X32 X1.2 ZC.	1,00			--