

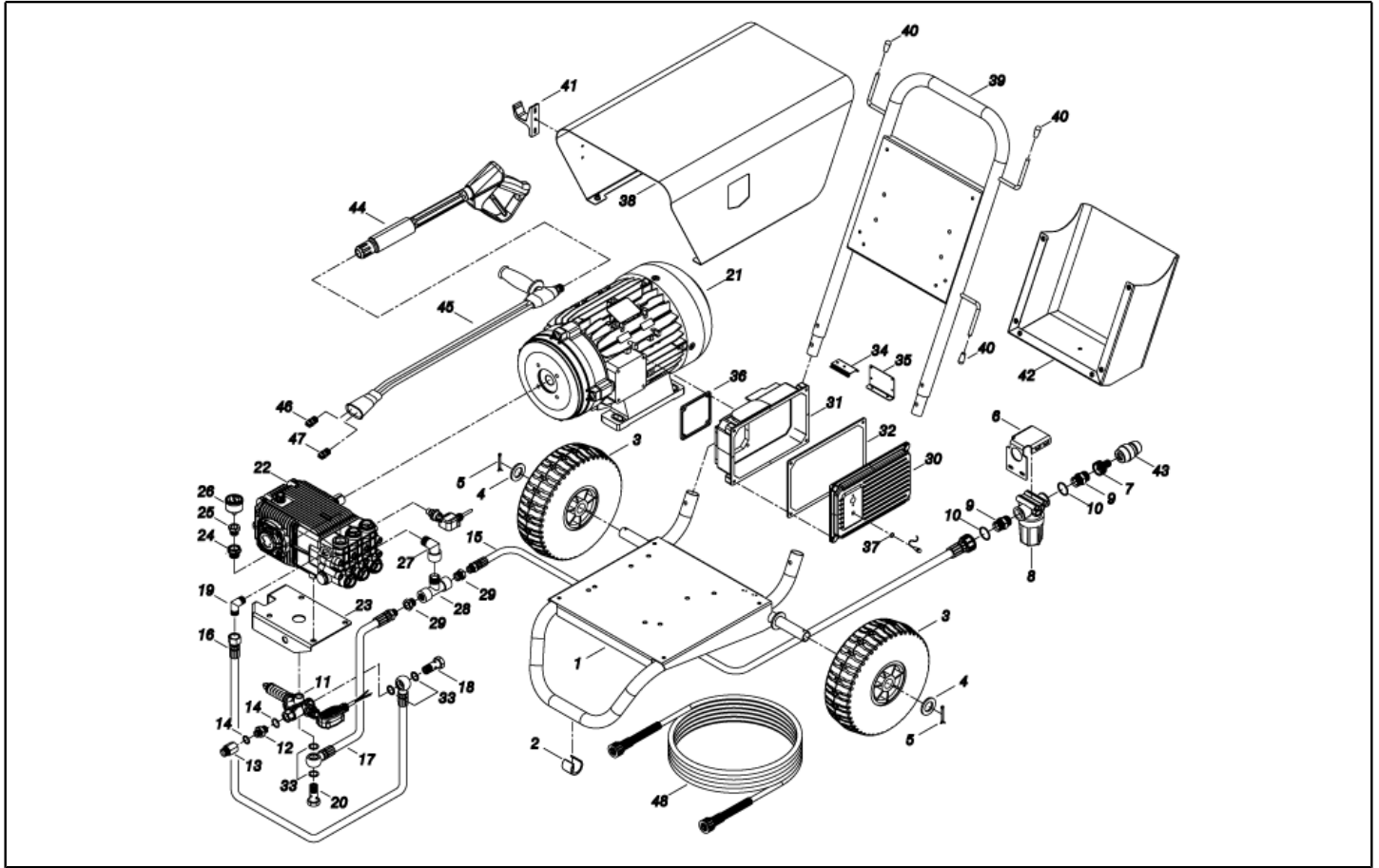


**IPC**

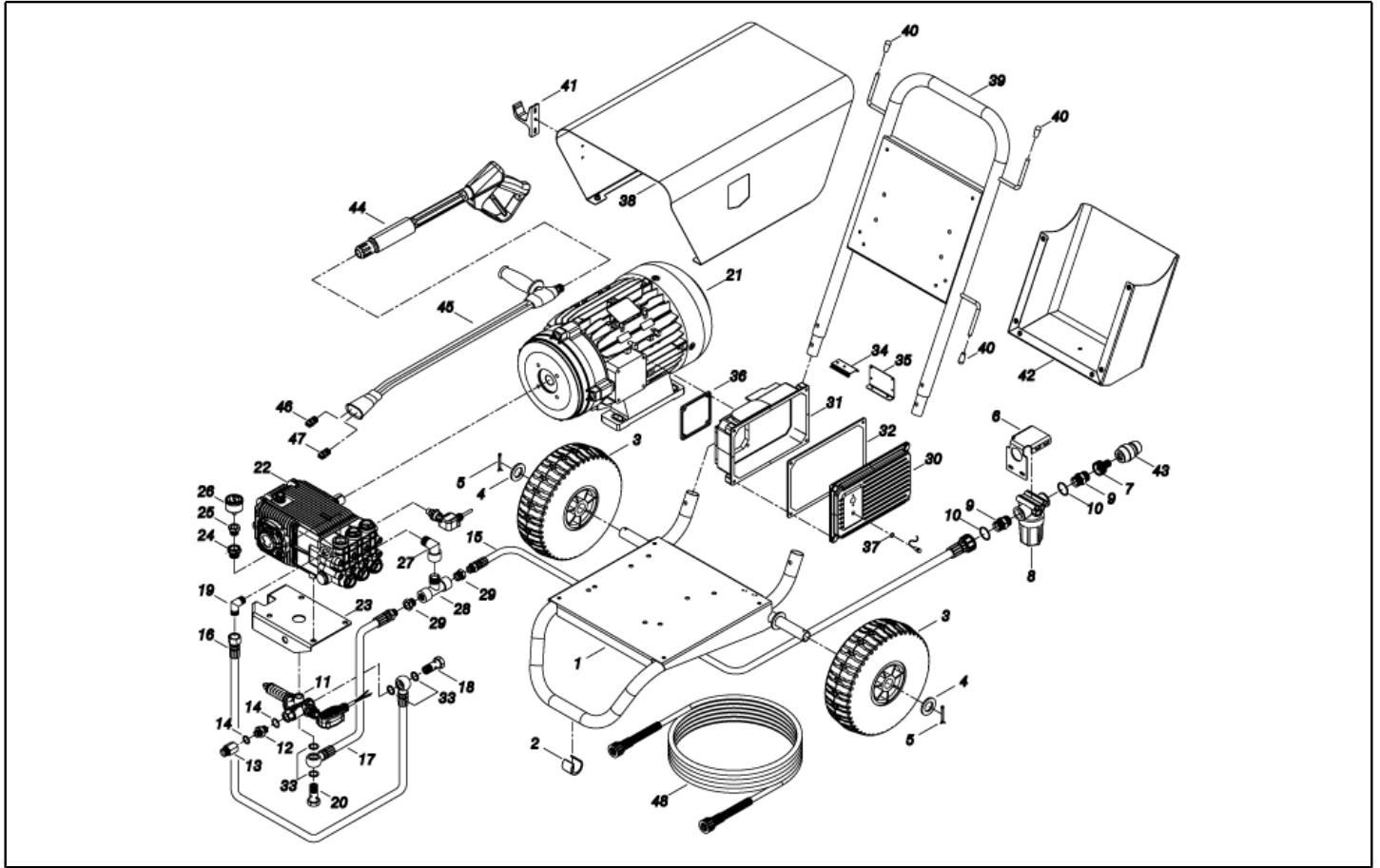
## **Spare Parts List**

Ref: IDAF50802

Model: PW 160/30 TRI X

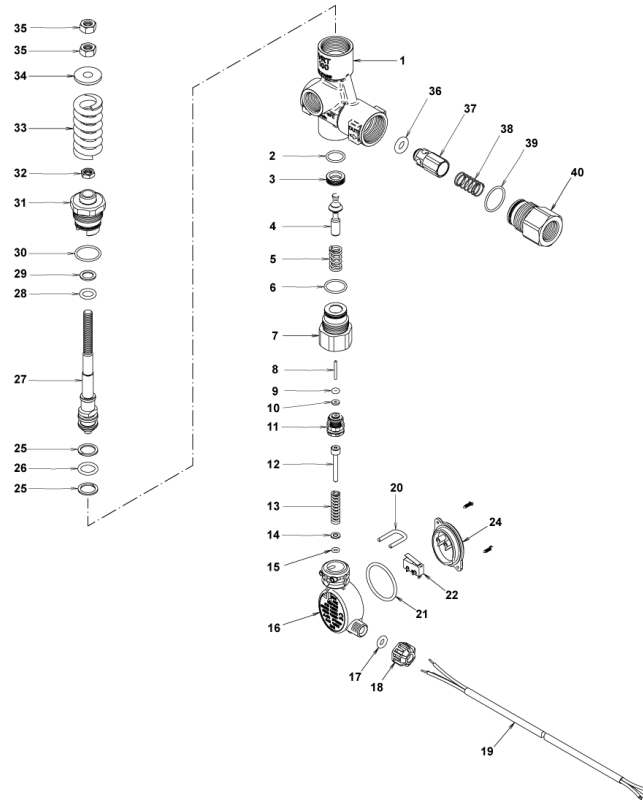


| Ref. K | Part N.   | Customer Part N. | Description                              | Quantity | Validity |    | Price |
|--------|-----------|------------------|--|----------|----------|----|-------|
|        |           |                  |  |          | From     | To |       |
| 0001   | LAFN40812 |                  | CHARIOT PW-C85 12-15HP AL.               | 1,00     |          |    | --    |
| 0002   | MPVR40787 |                  | PETIT PIED D.28-30MM P.7.5MM             | 1,00     |          |    | --    |
| 0003   | RTRT40007 |                  | ROUE D. 11,4"X 4/4 -D.25 PN.             | 2,00     |          |    | --    |
| 0004   | VTRS73055 | 00073055         | RONDELLE D.44x26x4 ZC U.6592             | 2,00     |          |    | --    |
| 0005   | VTVR00475 | 00000475         | GOUPILLE D. 4X40                         | 2,00     |          |    | --    |
| 0006   | LAFN40811 |                  | ETRIER FILTRE PW-C85 10HP AL.            | 1,00     |          |    | --    |
| 0007   | RCVR29600 | 00029600         | PRISE PTC 3/4 F                          | 1,00     |          |    | --    |
| 0008   | FTAC40015 |                  | FILTRE EAU 3/4 FF 100MS 55L/1 TC         | 1,00     |          |    | --    |
| 0009   | RCVR40006 |                  | NIPPLE 3/4 - 3/4 D.18 L=60 PPL           | 2,00     |          |    | --    |
| 0010   | GUGO01043 | 00001043         | O-RING D. 25.07 X 2.62 NBR 70SH          | 2,00     |          |    | --    |
| 0011   | VVAZ40077 |                  | SOUPAPE VRT100 1/2F 35MPa +SW            | 1,00     |          |    | --    |
| 0012   | RCDS00611 | 00000611         | NIPPLE 1/2 - 3/8 SV                      | 1,00     |          |    | --    |
| 0013   | RCIN03753 | 00003753         | RACCORD MALE M22-3/8 M-FA                | 1,00     |          |    | --    |
| 0014   | VTRS00548 | 00000548         | RONDELLE D.17,5X23X1,5 (3/8)RM           | 2,00     |          |    | --    |
| 0015   | TBBP40098 |                  | TUYAU B.P. L=340 3/4F 0° -3/4M 0°        | 1,00     |          |    | --    |
| 0016   | TBAP40186 |                  | TUYAU D.JONCT. 3/ 8 R1 L=370 1/2OC-3/8F  | 1,00     |          |    | --    |
| 0017   | TBAP40187 |                  | TUYAU D.JONCT. 1/ 2 R1 L=270 1/2OC.-1/2M | 1,00     |          |    | --    |
| 0018   | RCDS16328 | 00016328         | VIS CREUSE G 1/2 D.8                     | 1,00     |          |    | --    |
| 0019   | RCVR40590 | 00040590         | COUDE 3/8" M A.P. OT.MTM                 | 1,00     |          |    | --    |
| 0020   | RCDS40233 |                  | VIS CREUSE 1/2 C/SC. L=46.0 D.13.5       | 1,00     |          |    | --    |
| 0021   | MOTR40060 |                  | MOTEUR 3PH B3-14 HP12 23/400-50 4P       | 1,00     |          |    | --    |
| 0022   | PPAP40118 |                  | POMPE XW 30.10 DX N                      | 1,00     |          |    | --    |
| 0023   | LAFN40815 |                  | SOUPAPE ETRIER PW-C85/15 AL.             | 1,00     |          |    | --    |
| 0024   | PVVR40450 |                  | BOUCHON AR XWLA +1/8F                    | 1,00     |          |    | --    |
| 0025   | RCVR40156 |                  | MANCHON 1/8 M/F L= 23 OT.NK              | 1,00     |          |    | --    |
| 0026   | MNMN18650 | 00018650         | MANOMETRE 0-300 D.40                     | 1,00     |          |    | --    |
| 0027   | RCVR40176 |                  | COUDE 3/4" M/F O.NIK                     | 1,00     |          |    | --    |
| 0028   | RCVR40175 |                  | RACCORD T 3/4 F/M/F OT.NIK               | 1,00     |          |    | --    |
| 0029   | RCVR40042 |                  | REDUCTION 3/4-1/2 M/F NIK                | 2,00     |          |    | --    |
| 0030   | MEVR40180 |                  | COUVERCLE BOITE PW-C85 C/F.Led ALL.      | 1,00     |          |    | --    |
| 0031   | MEVR40179 |                  | BOITE CONTROLE PW-C85 ALL.               | 1,00     |          |    | --    |
| 0032   | GUGO40068 |                  | JOINT COPERCH. H132 RV                   | 1,00     |          |    | --    |
| 0033   | VTRS00549 | 00000549         | RONDELLE D.21,5X27X1,5 (1/2) RM          | 4,00     |          |    | --    |
| 0034   | LAFN40829 |                  | SUPPORT L.60 PW-C85                      | 1,00     |          |    | --    |
| 0035   | LAFN40828 |                  | BRIDE PW-C85 ZC.                         | 1,00     |          |    | --    |
| 0036   | GUGO40067 |                  | JOINT H132 RV IP55                       | 1,00     |          |    | --    |
| 0037   | GUGO40058 |                  | JOINT D. 7.7-11 X1 NBR 70SH              | 1,00     |          |    | --    |
| 0038   | LAFN40814 |                  | COUVERTURE PW-C85 12-15HP AL.            | 1,00     |          |    | --    |
| 0039   | LAFN40816 |                  | POIGNEE PW-C85 12-15HP AL.               | 1,00     |          |    | --    |
| 0040   | MPVR32471 | 00032471         | EMBOUT D. 8 BK                           | 3,00     |          |    | --    |
| 0041   | MPVR14947 | 00014947         | PORTE LANCE NYL 66                       | 1,00     |          |    | --    |
| 0042   | LAFN40817 |                  | PORTE-OUTIL PW-C85/15 NTR AL.            | 1,00     |          |    | --    |
| 0043   | RCVR29602 | 00029602         | RACCORD D. 1/2"-5/8" PTC                 | 1,00     |          |    | --    |
| 0044   | IPPR40020 |                  | POIGNEE G 6000+P.330 +M22 SW.M V         | 1,00     |          |    | --    |

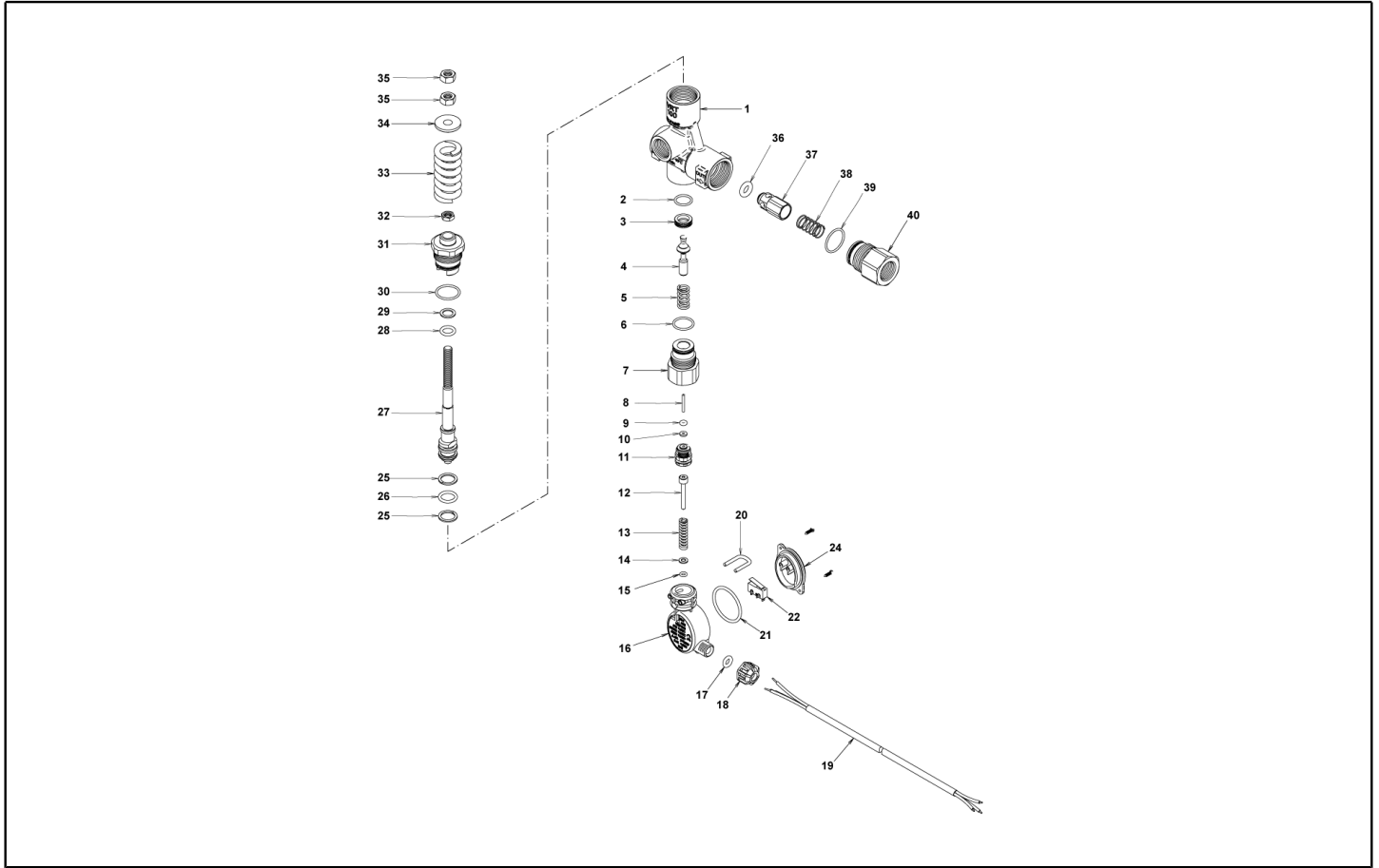


| Ref. K | Part N.   | Customer Part N. | Description                          | Quantity | Validity |    | Price |
|--------|-----------|------------------|--------------------------------------|----------|----------|----|-------|
|        |           |                  |                                      |          | From     | To |       |
| 0045   | LCPR12983 | 00012983         | RALLONGE DOUBLE PD 70                | 1,00     |          |    | --    |
| 0046   | UGLN75267 |                  | BUSE A EAU 2514 1/4 MEG              | 1,00     |          |    | --    |
| 0047   | UGLN75314 | 00075314         | BUSE POUR LANCE LECH 1/4 2511        | 1,00     |          |    | --    |
| 0048   | TBAP40014 |                  | TUYAU H.P. R1 MT 15 3/ 8" C/2 IRV IX | 1,00     |          |    | --    |

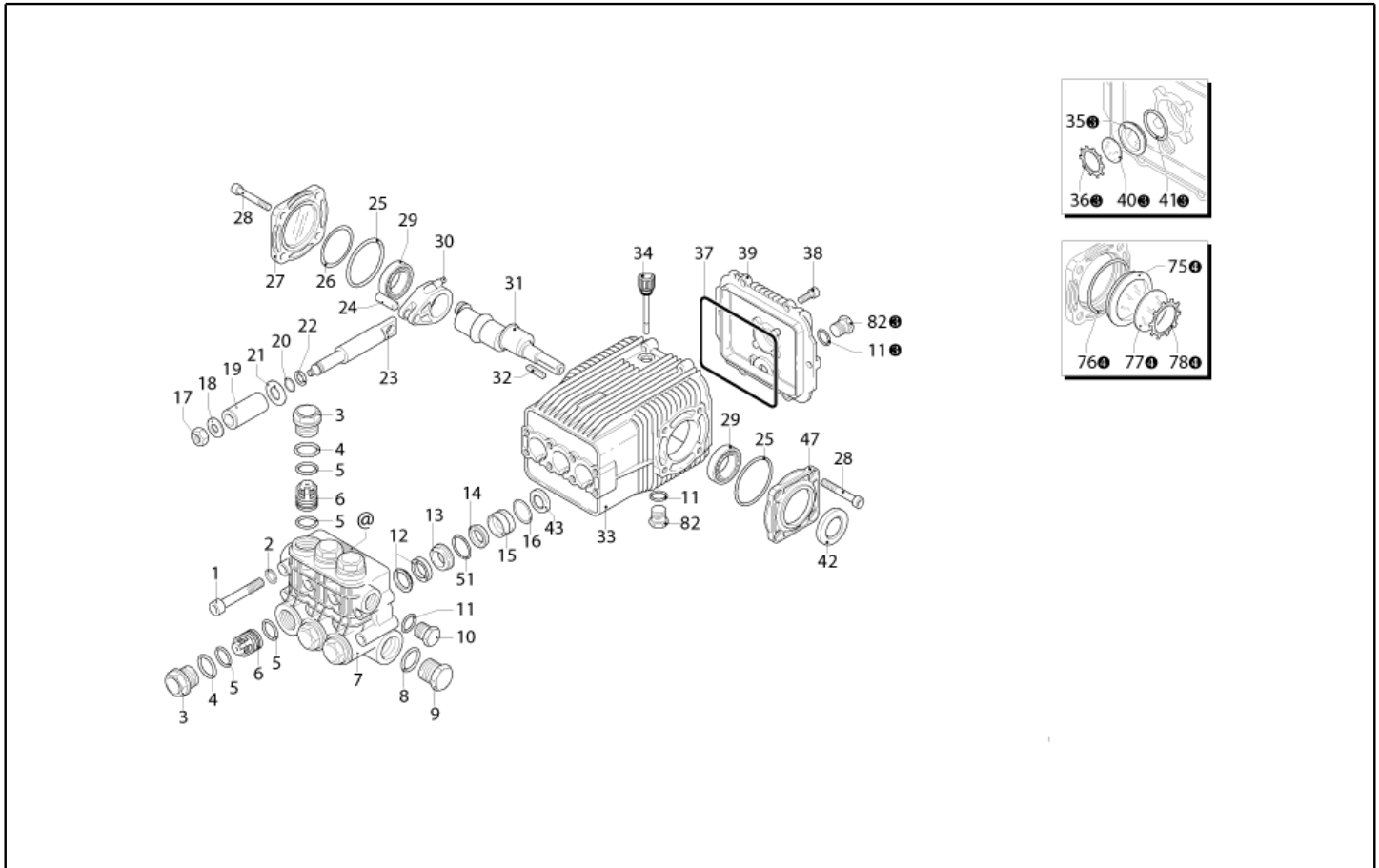




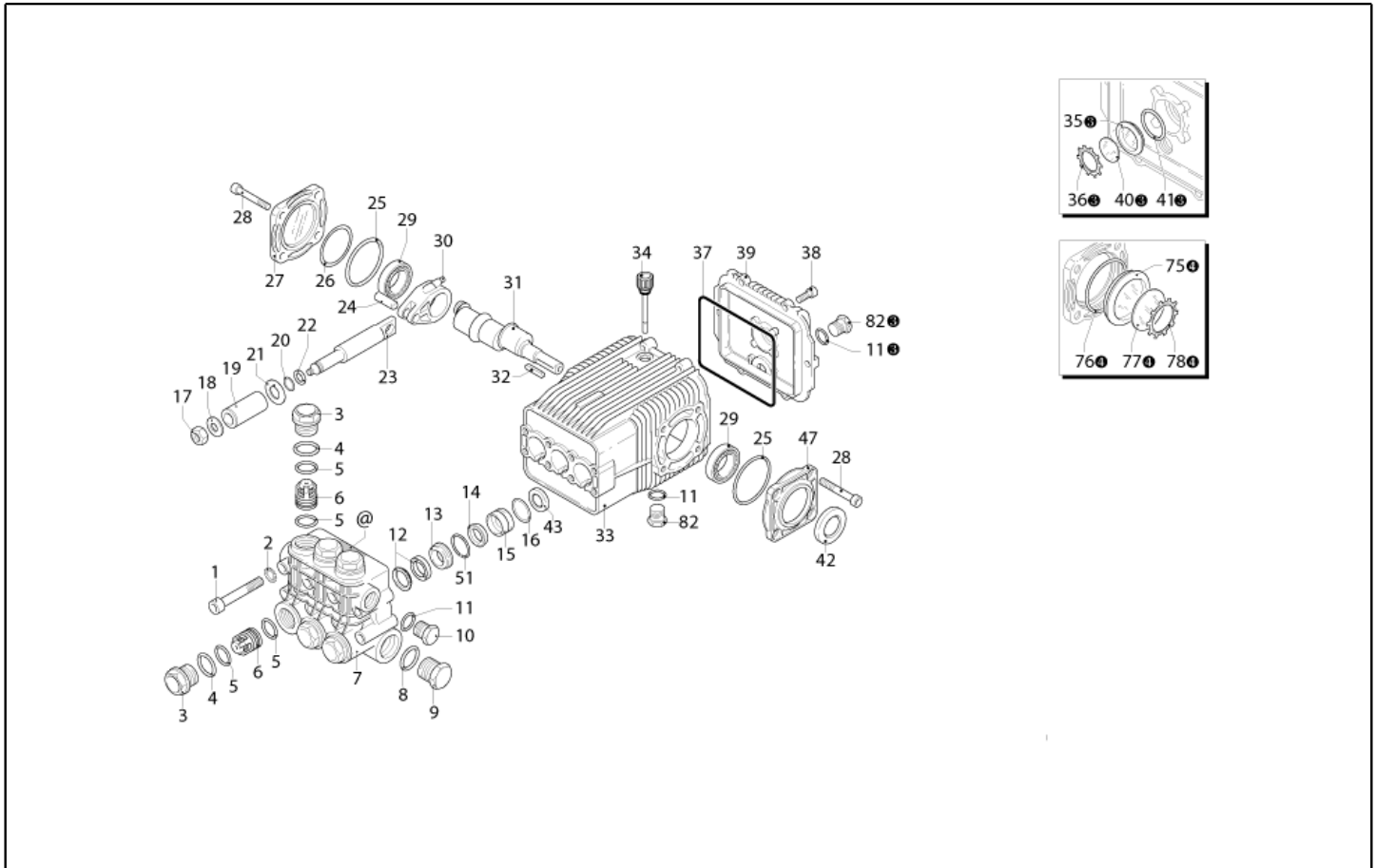
| Ref. K | Part N.     | Customer Part N. | Description                        | Quantity | Validity |    | Price |
|--------|-------------|------------------|------------------------------------|----------|----------|----|-------|
|        |             |                  |                                    |          | From     | To |       |
| 0001   | PVVR40459   |                  | CORPS VALVE VRT100 1/2F            | 1,00     |          |    | --    |
| 0002   | S GUGO12322 | 00012322         | O-RING D. 14 X 1.78 NBR 90SH       | 1,00     |          |    | --    |
| 0003   | S PVVR40460 |                  | SIEGE SOUPAPE VRT-100              | 1,00     |          |    | --    |
| 0004   | S PVVR40461 |                  | OBTURATEUR VRT100-60°              | 1,00     |          |    | --    |
| 0005   | MLML40036   |                  | RESSORT VRT-100                    | 1,00     |          |    | --    |
| 0006   | S GUGO24913 | 00024913         | O-RING D. 17.17 X 1.78 NBR 90SH    | 1,00     |          |    | --    |
| 0007   | PVVR40462   |                  | RACCORD VRT-100 P/PS2 OT           | 1,00     |          |    | --    |
| 0008   | PVVR40463   |                  | TIGE SOUPAPE VRT-100 P/PS2         | 1,00     |          |    | --    |
| 0009   | S GUGO40069 |                  | O-RING D. 2.05 X 2.62 NBR 70SH     | 1,00     |          |    | --    |
| 0010   | S GUVR40091 |                  | BAGUE ANTIEXTR. D. 2.2X 7.0X1.3 TB | 1,00     |          |    | --    |
| 0011   | PVVR40464   |                  | RACCORD PS2 VRT-100                | 1,00     |          |    | --    |
| 0012   | PVVR40465   |                  | TIGE D.CONTROLE PS2 VRT-100        | 1,00     |          |    | --    |
| 0013   | MLML40037   |                  | RESSORT D. 6.5 X32 D.1.6           | 1,00     |          |    | --    |
| 0014   | VTRS40032   |                  | RONDELLE D. 4.5X8.5X1.0 OT         | 1,00     |          |    | --    |
| 0015   | GUGO01062   | 00001062         | O-RING D. 3.69 X 1.78 NBR 70SH     | 1,00     |          |    | --    |
| 0016   | MPVR40816   |                  | COQUILLE PS2 BK.                   | 1,00     |          |    | --    |
| 0017   | GUGO46053   | 00046053         | O-RING D. 6 X 3 NBR 90SH           | 1,00     |          |    | --    |
| 0018   | MPVR40814   |                  | FRETTE PS3 BK.                     | 1,00     |          |    | --    |
| 0019   | MECB40342   |                  | CABLE 3X0.75 L=1.2 BK.             | 1,00     |          |    | --    |
| 0020   | LAFN40886   |                  | GOUPILLE "U" PS6                   | 1,00     |          |    | --    |
| 0021   | GUGO40070   |                  | O-RING D. 32.99 X 2.62 NBR 70SH    | 1,00     |          |    | --    |
| 0022   | MECI40040   |                  | MICROINTERRUPT. XG PS2             | 1,00     |          |    | --    |
| 0024   | MPVR40817   |                  | COUVERCLE PS2 BK.                  | 1,00     |          |    | --    |
| 0025   | S GUVR40092 |                  | BAGUE ANTIEXTR. D.13.5X18 X1.2 TBT | 2,00     |          |    | --    |
| 0026   | S GUGO15198 | 00015198         | O-RING D. 13.10 X 2.62 NBR 70SH    | 1,00     |          |    | --    |
| 0027   | PVVR40466   |                  | TIGE SOUPAPE VRT-100               | 1,00     |          |    | --    |
| 0028   | S GUGO01060 | 00001060         | O-RING D. 9.92 X 2.62 NBR 70SH     | 1,00     |          |    | --    |
| 0029   | S GUVR40093 |                  | BAGUE ANTIEXTR. D.10 X14.5X1.2 TB  | 1,00     |          |    | --    |
| 0030   | S GUGO40071 |                  | O-RING D. 20.35 X 1.78 NBR 90SH    | 1,00     |          |    | --    |
| 0031   | PVVR40467   |                  | GUIDE TIGE VRT-100                 | 1,00     |          |    | --    |
| 0032   | VTDD40011   |                  | ECROU M 8 OT UNI EN 24035          | 1,00     |          |    | --    |
| 0033   | MLML40025   |                  | RESSORT D. 5.7/20.7X56 25MPa       | 1,00     |          |    | --    |
| 0034   | VTRS40033   |                  | RONDELLE VRT-3                     | 1,00     |          |    | --    |
| 0035   | VTDD00483   | 00000483         | ECROU M 8 ZIN UNI 5588             | 2,00     |          |    | --    |
| 0036   | S GUGO40072 |                  | O-RING D. 8 X 4 NBR 70SH           | 1,00     |          |    | --    |
| 0037   | PVVR40468   |                  | OBTURATEUR VRT-100                 | 1,00     |          |    | --    |
| 0038   | MLML40038   |                  | RESSORT VRT-100                    | 1,00     |          |    | --    |
| 0039   | S GUGO40073 |                  | O-RING D. 21.91 X 1.78 NBR 90SH    | 1,00     |          |    | --    |
| 0040   | PVVR40469   |                  | RACCORD VRT-100 G1/2F              | 1,00     |          |    | --    |



| Ref. Part N. | Cust. Part N. | Description              | Reference   | Price |
|--------------|---------------|--------------------------|---|-------|
| KTRI40393    |               | KIT P 14-113 VRT100 +PS2 | 0002 0003 0004 0006 0009 0010 0025 0026 0028 0030<br>0036 0039 0029 | --    |

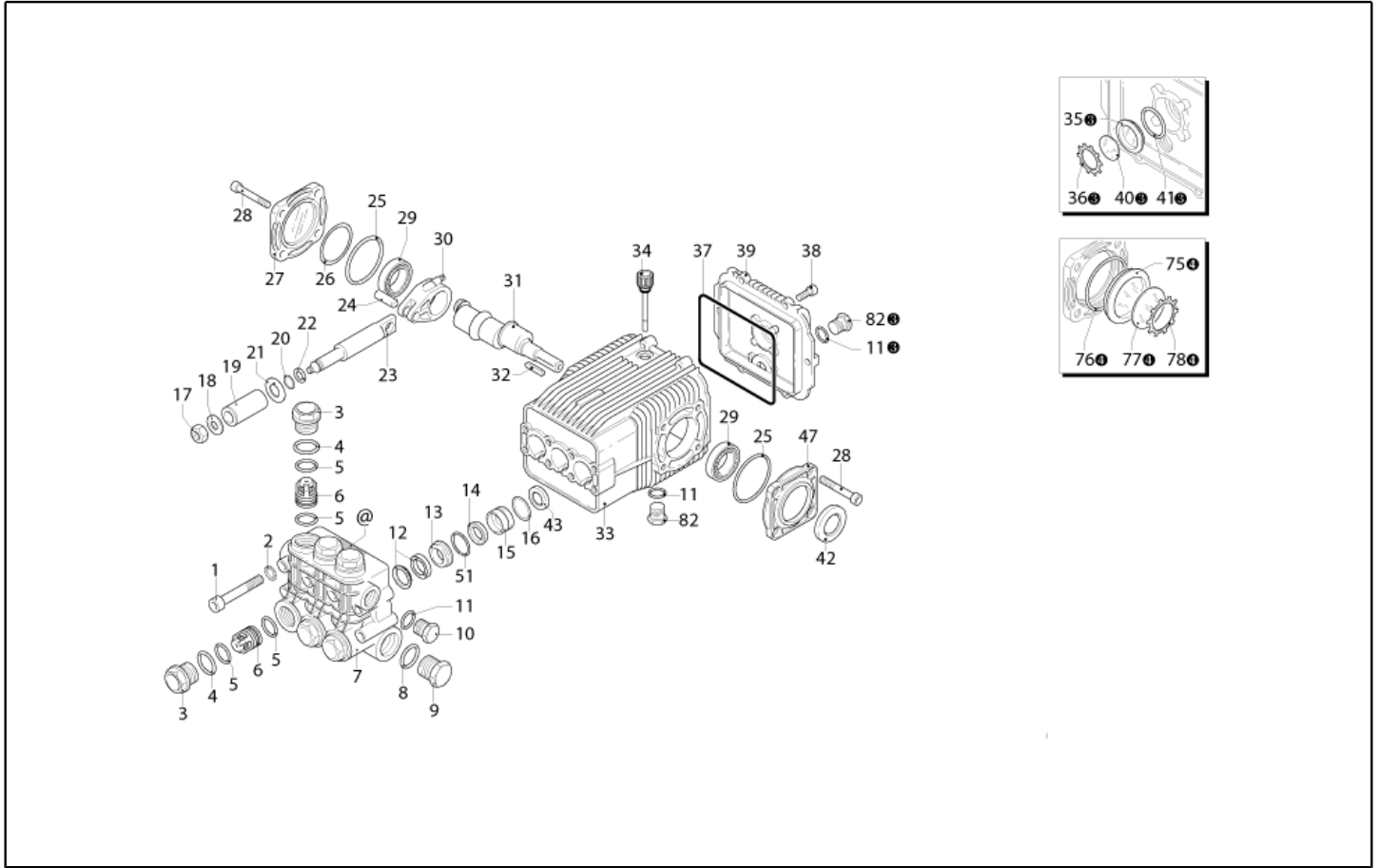


| Ref. K | Part N.     | Customer Part N. | Description                     | Quantity | Validity |    | Price |
|--------|-------------|------------------|---------------------------------|----------|----------|----|-------|
|        |             |                  |                                 |          | From     | To |       |
| 0001   | VTVT17597   | 00017597         |                                 | 8,00     |          |    | --    |
| 0002   | VTRS00519   | 00000519         | RONDELLE D.10 DT                | 8,00     |          |    | --    |
| 0003   | PVVR40220   |                  | BOUCHON AR XWLA                 | 6,00     |          |    | --    |
| 0004   | PVVR49445   | 00049445         | BAGUE XW                        | 6,00     |          |    | --    |
| 0005   | S GUGO19395 | 00019395         | O-RING D. 20.24 X 2.62 NBR 70SH | 12,00    |          |    | --    |
| 0006   | S VVAM40006 |                  | ENSEMBL. CLAPET XWLA            | 6,00     |          |    | --    |
| 0007   | MFVR40069   |                  | CULASSE AR XW OT. D.22          | 1,00     |          |    | --    |
| 0008   | GUGO01037   | 00001037         | O-RING D. 23.81 X 2.62 NBR 70SH | 1,00     |          |    | --    |
| 0009   | PVVR40221   |                  | BOUCHON 3/4G M XWLA             | 1,00     |          |    | --    |
| 0010   | PVVR40099   |                  | BOUCHON 3/8 M HRM               | 1,00     |          |    | --    |
| 0011   | GUGO09720   | 00009720         | O-RING D. 14 X 1.78 NBR 70SH    | 3,00     |          |    | --    |
| 0012   | S GUVR40051 |                  | BAGUE D'ETANCH. D. 22 RK W1     | 3,00     |          |    | --    |
| 0013   | S PVVR40452 |                  | BAGUE INTERMED. D.22 XW         | 3,00     |          |    | --    |
| 0014   | S GUVR40050 |                  | BAGUE D'ETANCH. D. 22 RK W2     | 3,00     |          |    | --    |
| 0015   | S PVVR40454 |                  | BAGUE INTERMED. D. 22 XW        | 3,00     |          |    | --    |
| 0016   | S GUGO63438 |                  | O-RING D. 34.65 X 1.78 NBR 70SH | 3,00     |          |    | --    |
| 0017   | VTDD40005   |                  | ECROU TEN. PISTONE              | 3,00     |          |    | --    |
| 0018   | VTRS40012   |                  | RONDELLE D. 8,1x18,5x1          | 3,00     |          |    | --    |
| 0019   | S PIVR40016 |                  | PISTON D.22 XW                  | 3,00     |          |    | --    |
| 0020   | GUGO03496   | 00003496         | O-RING D. 9.25 X 1.78 NBR 70SH  | 3,00     |          |    | --    |
| 0021   | PVVR40455   |                  | DISQUE XW                       | 3,00     |          |    | --    |
| 0022   | GUVR40010   |                  | BAGUE ANTIEXTR. D. 9 X13        | 3,00     |          |    | --    |
| 0023   | PVVR40223   |                  | TIGE DE PISTON XWLA             | 3,00     |          |    | --    |
| 0024   | PVVR40186   |                  | CHEVILLE-GOUJON D. 14 RW        | 3,00     |          |    | --    |
| 0025   | S GUGO01132 | 00001132         | O-RING D. 66.35 X 2.62 NBR 70SH | 2,00     |          |    | --    |
| 0026   | PVVR40187   |                  | EPAISSEUR AR 0,05 mm            | 3,00     |          |    | --    |
| 0026   | PVVR40189   |                  | EPAISSEUR AR 0,10 mm            | 3,00     |          |    | --    |
| 0026   | PVVR40192   |                  | EPAISSEUR AR 0,19 mm            | 3,00     |          |    | --    |
| 0026   | PVVR40193   |                  | EPAISSEUR AR 0,25 mm            | 3,00     |          |    | --    |
| 0027   | MFVR40035   |                  | COUVERCLE CART. AR RW LAT. CPL  | 1,00     |          |    | --    |
| 0028   | VTVT01118   | 00001118         | VIS TCEI M 8X16 ZC. UNI 5931    | 8,00     |          |    | --    |
| 0029   | CUVR09205   | 00009205         | ROULEM.A ROUL. 32206 A          | 2,00     |          |    | --    |
| 0030   | BLVR40006   |                  | BIELLE SHPA                     | 3,00     |          |    | --    |
| 0031   | ALMO40039   |                  | ARBRE AR XW 30.10 N             | 1,00     |          |    | --    |
| 0032   | VTVR06364   | 00006364         | CLE 8 X7 X40                    | 1,00     |          |    | --    |
| 0033   | MFVR40032   |                  | CARTER POMPE AR RW              | 1,00     |          |    | --    |
| 0034   | PVVR40150   |                  | BOUCHON HUILE AR SHP            | 1,00     |          |    | --    |
| 0035   | PVVR19238   | 00019238         | VOYANT HUILE XTS                | 1,00     |          |    | --    |
| 0036   | VTAE19239   | 00019239         | SEEGER 0,5 X25,35X16,0          | 1,00     |          |    | --    |
| 0037   | S GUGO40020 |                  | O-RING D. 132 X 3 NBR 70SH      | 1,00     |          |    | --    |
| 0038   | VTVT09913   | 00009913         | VIS TCEI 6X16 UNI5931           | 6,00     |          |    | --    |
| 0039   | MFVR40034   |                  | COUVERCLE CART. AR RW           | 1,00     |          |    | --    |
| 0040   | PVVR40199   |                  | DISQUE CONTRASTO POMPA RW       | 1,00     |          |    | --    |
| 0041   | GUGO19395   | 00019395         | O-RING D. 20.24 X 2.62 NBR 70SH | 1,00     |          |    | --    |

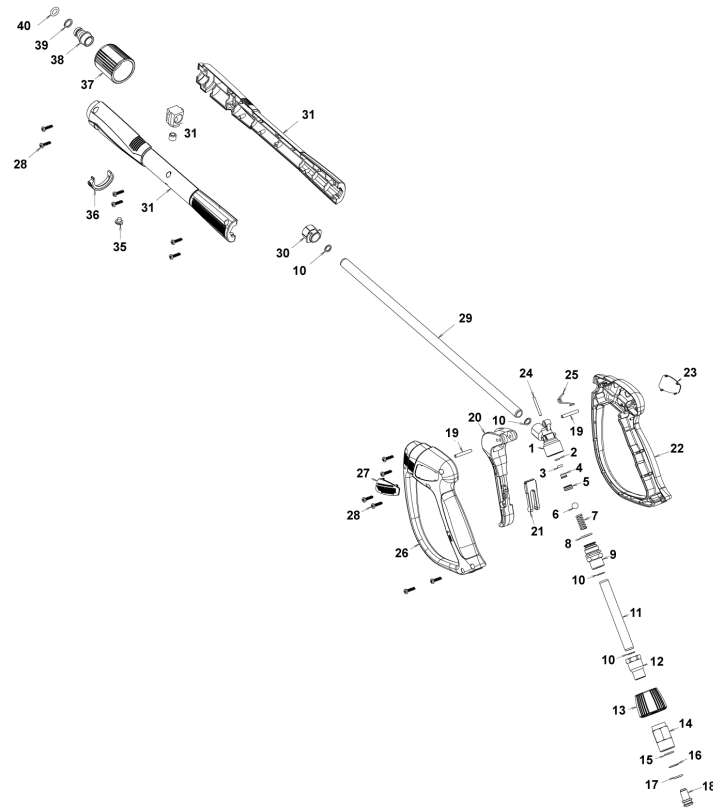


| Ref. K | Part N.     | Customer Part N. | Description                     | Quantity | Validity |    | Price |
|--------|-------------|------------------|---------------------------------|----------|----------|----|-------|
|        |             |                  |                                 |          | From     | To |       |
| 0042   | S GUGO11229 | 00011229         | JOINT SPI 30X 52X 7 NBR70       | 1,00     |          |    | --    |
| 0043   | S GUGO40019 |                  | JOINT SPI RW                    | 3,00     |          |    | --    |
| 0047   | MFVR40033   |                  | COUVERCLE CART. AR RW LAT. OPEN | 1,00     |          |    | --    |
| 0051   | S GUGO10379 | 00010379         | O-RING D. 22 X 2 NBR 70SH       | 3,00     |          |    | --    |
| 0075   | PVVR40200   |                  | VOYANT HUILE RW                 | 1,00     |          |    | --    |
| 0076   | GUGO01943   | 00001943         | O-RING D. 34.6 X 2.62 NBR 70SH  | 1,00     |          |    | --    |
| 0077   | PVVR40202   |                  | DISQUE CONTRASTO POMPA RW       | 1,00     |          |    | --    |
| 0078   | VTAE40004   |                  | SEEGER 0,5 X40,40X30,0          | 1,00     |          |    | --    |
| 0079   | PVVR40235   |                  | BOUCHON 3/4G M XLWL             | 1,00     |          |    | --    |
| 0082   | PVVR40099   |                  | BOUCHON 3/8 M HRM               | 2,00     |          |    | --    |





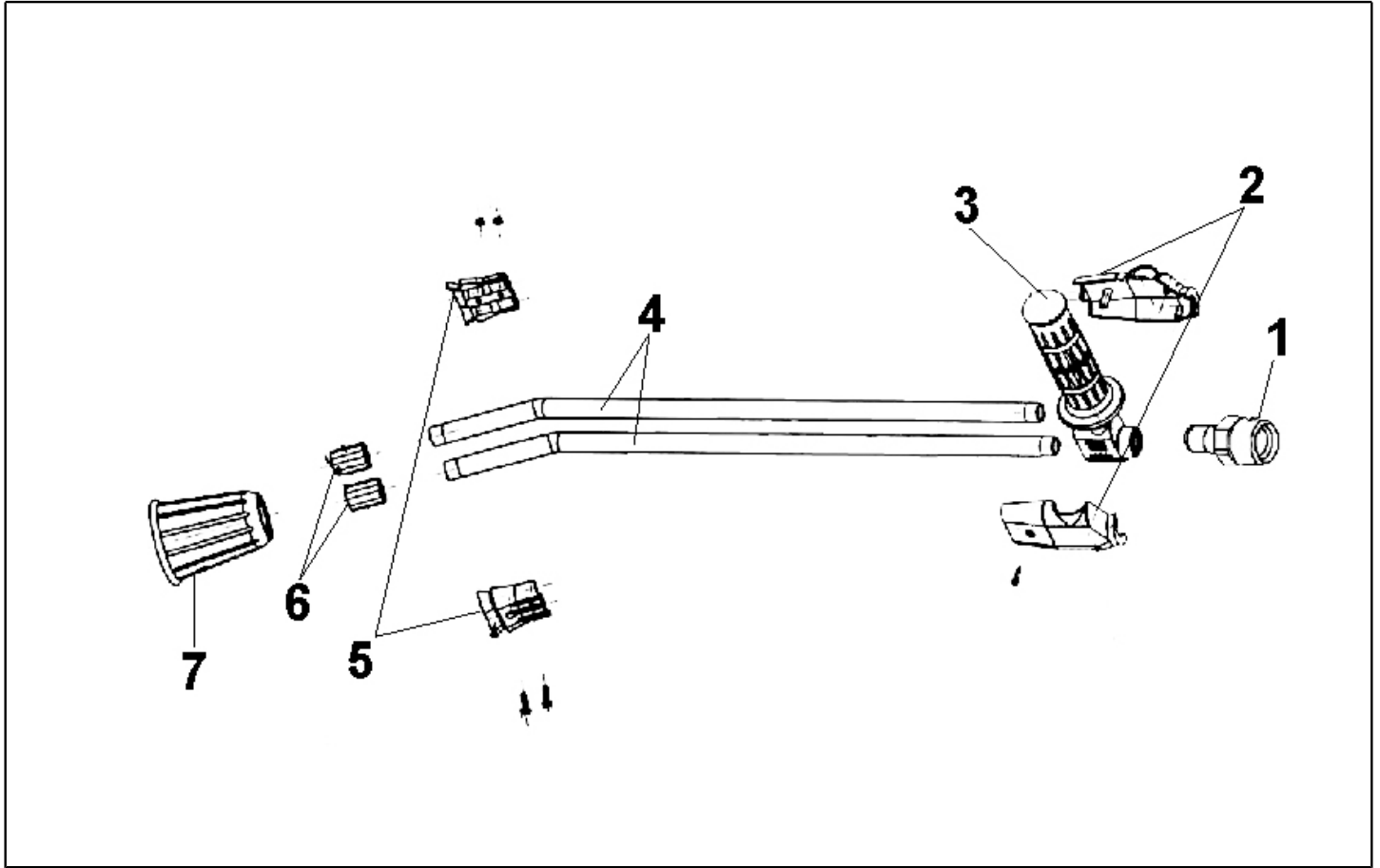
| Ref. Part N. | Cust. Part N. | Description           | Reference           | Price |
|--------------|---------------|-----------------------|---------------------|-------|
| K A          | KTRI45173     | KIT P 15-2780 XW      | 0005 0006           | --    |
| K B          | KTRI40389     | KIT P 15-1891 XW D.22 | 0019                | --    |
| K C          | KTRI45175     | KIT P 15-42906 XW     | 0025 0037 0042 0043 | --    |
| K E          | KTRI40390     | KIT P 15-2783 XW D.22 | 0012 0014 0016 0051 | --    |
| K H          | KTRI40391     | KIT P 15-2785 XW D.22 | 0013 0015           | --    |



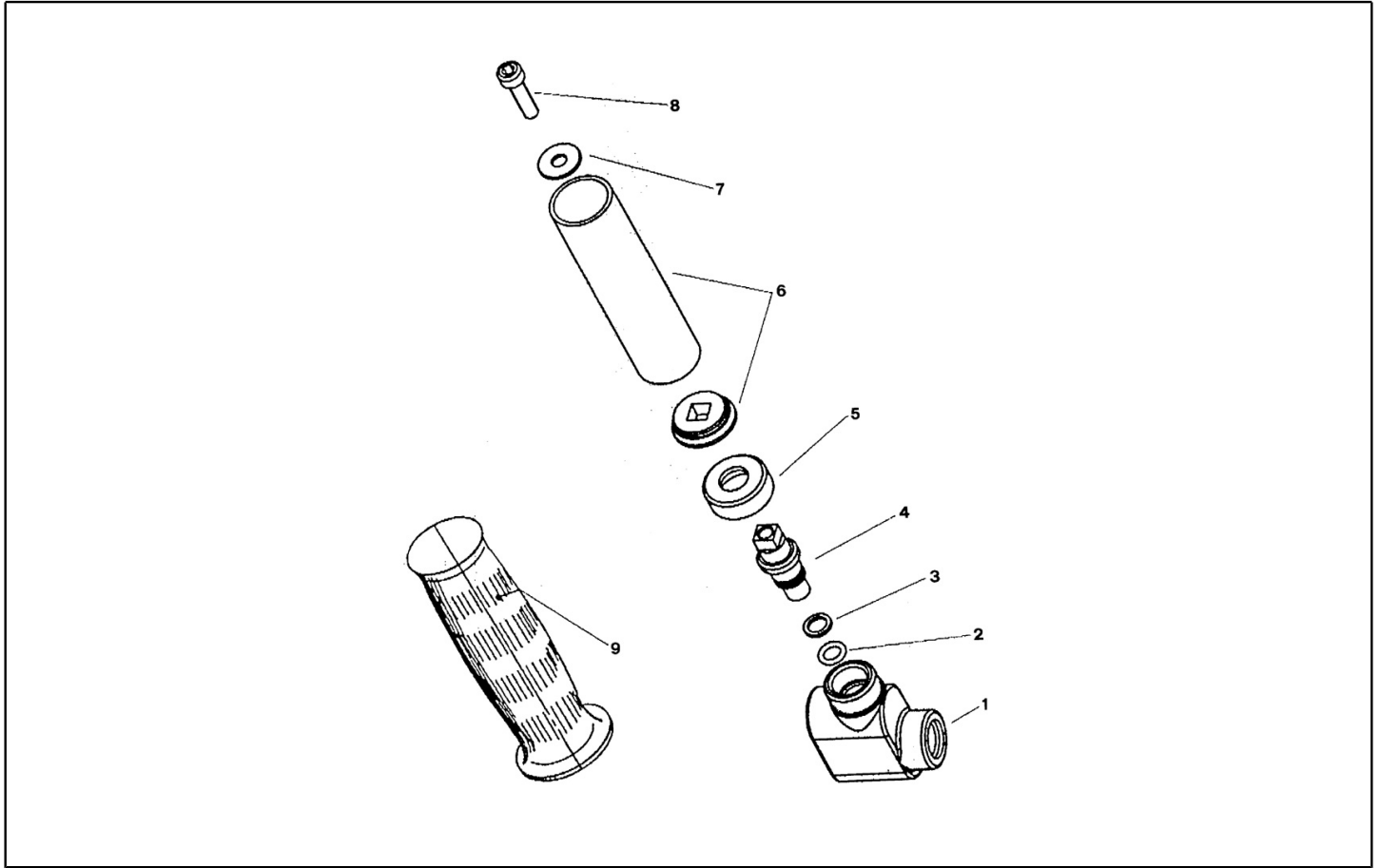
| Ref. K | Part N.   | Customer Part N. | Description                       | Quantity                        | Validity |    | Price |
|--------|-----------|------------------|-----------------------------------|---------------------------------|----------|----|-------|
|        |           |                  |                                   |                                 | From     | To |       |
| 0001   | PVVR40381 |                  | CORPS PISTOLET G 5100 G1/4F       | 1,00                            |          |    | --    |
| 0002   | S         | GUVR40074        | BAGUE ANTIEXTR. D. 3 X 7.4X1.3    | 1,00                            |          |    | --    |
| 0003   | S         | GUGO21835        | 00021835                          | O-RING D. 2.84 X 2.62 VIT. 80SH | 1,00     |    | --    |
| 0004   | PVVR40382 |                  | TIGE DE PISTON G 5100             | 1,00                            |          |    | --    |
| 0005   | S         | PVVR40112        | SIEGE BILLE G 5000                | 1,00                            |          |    | --    |
| 0006   | S         | SFVR40002        | BILLE D.11/32" ALL.GR16           | 1,00                            |          |    | --    |
| 0007   | MLML40016 |                  | RESSORT D. 9.4 x21.5x1.6 G5000    | 1,00                            |          |    | --    |
| 0008   | GUGO12322 | 00012322         | O-RING D. 14 X 1.78 NBR 90SH      | 1,00                            |          |    | --    |
| 0009   | PVVR40383 |                  | RACCORD COLL.G5100 1/4F           | 1,00                            |          |    | --    |
| 0010   | VTRS40017 |                  | RONDELLE D. 8.2X11,4X1.00         | 4,00                            |          |    | --    |
| 0011   | PVVR40384 |                  | TUYAU G 1/4" L.105                | 1,00                            |          |    | --    |
| 0012   | RCIN40022 |                  | RACCORD SWIV G5100 1/4F           | 1,00                            |          |    | --    |
| 0013   | MPVR40819 |                  | FRETTE G 5100 SW. BK.             | 1,00                            |          |    | --    |
| 0014   | RCIN40021 |                  | BRANCHEMENT SWIV 5100 M22         | 1,00                            |          |    | --    |
| 0015   | S         | GUVR40075        | BAGUE ANTIEXTR. D. 10 X14X1.5     | 1,00                            |          |    | --    |
| 0016   | S         | GUVR40076        | BAGUE ANTIEXTR. D. 11.2X14X1.2    | 1,00                            |          |    | --    |
| 0017   | S         | GUGO15295        | 00015295                          | O-RING D. 10.82 X 1.78 VIT 80SH | 1,00     |    | --    |
| 0018   | PVVR40386 |                  | VIS SW. G 5100                    | 1,00                            |          |    | --    |
| 0019   | VTVR40047 |                  | GOUPILLE D. 4X29                  | 2,00                            |          |    | --    |
| 0020   | MPVR40820 |                  | GACHETTE G 6000-SW                | 1,00                            |          |    | --    |
| 0021   | MPVR40821 |                  | DISP.D.SECURITE G 6000-SW         | 1,00                            |          |    | --    |
| 0022   | MPVR40822 |                  | COQUILLE G 6000-SW DX             | 1,00                            |          |    | --    |
| 0023   | MPVR40823 |                  | PLAQUE G 6000 GR.DX               | 1,00                            |          |    | --    |
| 0024   | PVVR40387 |                  | PETIT PISTON G 5100               | 1,00                            |          |    | --    |
| 0025   | MLML40029 |                  | RESSORT G 5100                    | 1,00                            |          |    | --    |
| 0026   | MPVR40824 |                  | COQUILLE G 6000-SW SX             | 1,00                            |          |    | --    |
| 0027   | MPVR40825 |                  | PLAQUE G 6000 GR.SX               | 1,00                            |          |    | --    |
| 0028   | VTVT40043 |                  | VIS AF 4X 14 HILO ZN.N            | 12,00                           |          |    | --    |
| 0029   | LCPR40086 |                  | TUYAU 1/4 L=420 ZC. 0°            | 1,00                            |          |    | --    |
| 0030   | MPVR40493 |                  | RACCORD G 5100-SW                 | 1,00                            |          |    | --    |
| 0031   | MPVR40494 |                  | PROTECTION P 420 C/AN.            | 1,00                            |          |    | --    |
| 0035   | MPVR40198 |                  | BOUCHON G 5000                    | 1,00                            |          |    | --    |
| 0036   | MPVR40495 |                  | BOUCHON G 5100 REM.               | 1,00                            |          |    | --    |
| 0037   | PVVR40119 |                  | RONDELLE M22X1,5 IRV G5000        | 1,00                            |          |    | --    |
| 0038   | RCIN40009 |                  | CHEVILLE-GOUJON G 1/4 F IRV G5000 | 1,00                            |          |    | --    |
| 0039   | GUVR40034 |                  | BAGUE ANTIEXTR. D. 10 X14         | 1,00                            |          |    | --    |
| 0040   | GUGO01946 | 00001946         | O-RING D. 9.13 X 2.62 VIT 70SH    | 1,00                            |          |    | --    |



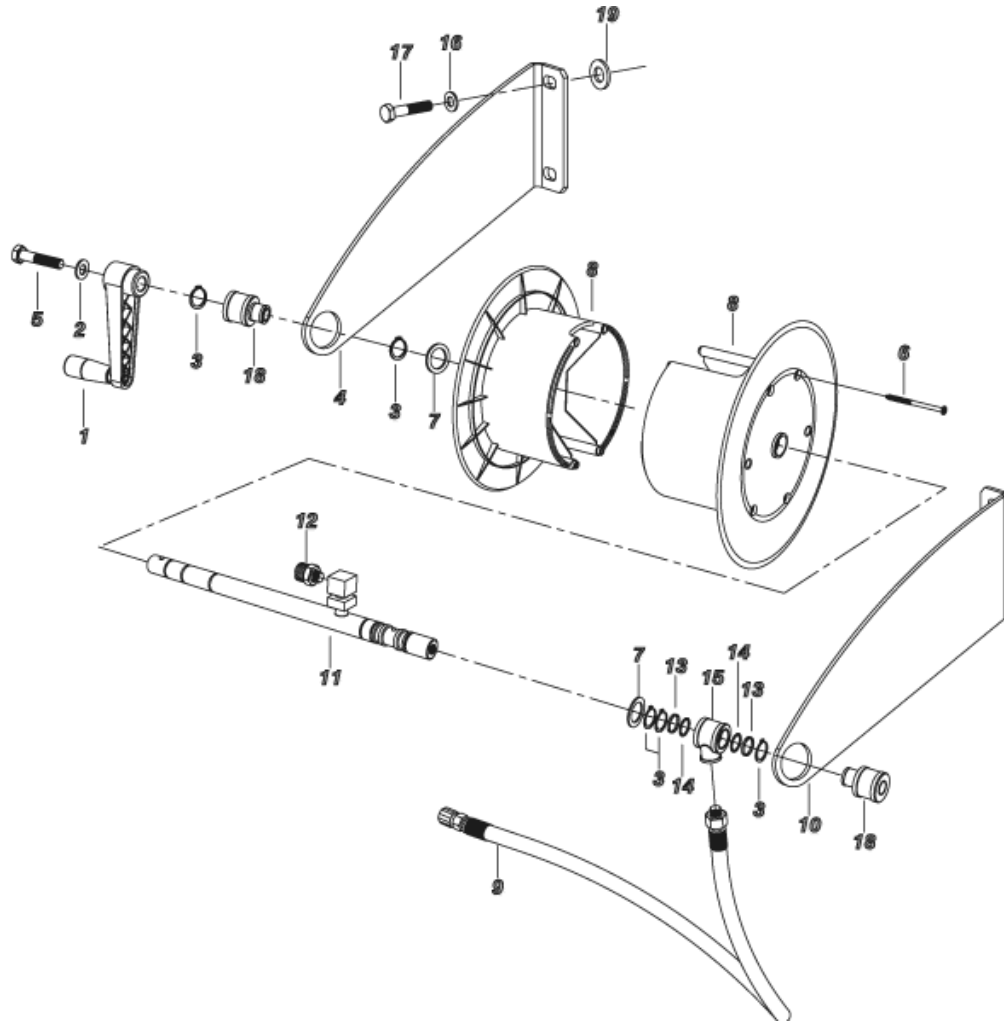
| Ref. Part N. | Cust. Part N. | Description                | Reference           | Price |
|--------------|---------------|----------------------------|---------------------|-------|
| KTRI40243    |               | KIT P 26- 26 SWIVEL G 5100 | 0015 0016 0017      | --    |
| KTRI40414    |               | KIT P 26- 34 G 6000        | 0002 0003 0005 0006 | --    |



| Ref. K | Part N.   | Customer Part N. | Description                   | Quantity | Validity |    | Price |
|--------|-----------|------------------|-------------------------------|----------|----------|----|-------|
|        |           |                  |                               |          | From     | To |       |
| 0001   | PVVR45296 | 00045296         | RACCORD G 1/4M -M22 M +PR.PLS | 1,00     |          |    | --    |
| 0002   | MPVR45214 | 00045214         | PROTECTION TB.1/4 MTM         | 1,00     |          |    | --    |
| 0003   | RCGR45737 | 00045737         | ROBINET 1/8 F LD MTM          | 1,00     |          |    | --    |
| 0004   | LCPR45740 | 00045740         | TUYAU 1/8 L=660 INOX MTM      | 2,00     |          |    | --    |
| 0005   | MPVR45001 | 00045001         | COQUILLE LD MTM               | 1,00     |          |    | --    |
| 0006   | RCVR45741 | 00045741         | PORTE BUSE 1/4-1/8 F MTM      | 2,00     |          |    | --    |
| 0007   | PVVR43810 | 00043810         | PROTECTION L.D. MTM           | 1,00     |          |    | --    |



| Ref. K | Part N.   | Customer Part N. | Description                     | Quantity | Validity   |            | Price |
|--------|-----------|------------------|---------------------------------|----------|------------|------------|-------|
|        |           |                  |                                 |          | From       | To         |       |
| 0001   | RCGR41556 | 00041556         | CORPS ROBINET L.DOP. 1/8" MTM   | 1,00     |            | 08/03/2010 | --    |
| 0001   | PVVR40132 |                  | CORPS VALVE L.DP 1/4F-1/8FF CP. | 1,00     | 09/03/2010 |            | --    |
| 0002   | GUGO10330 | 00010330         | O-RING D. 6.07 X 1.78 VIT 70SH  | 1,00     |            | 08/03/2010 | --    |
| 0003   | GUVR41551 | 00041551         | BAGUE ANTIEXTR. SR 010          | 1,00     |            | 08/03/2010 | --    |
| 0004   | PVVR41553 | 00041553         | PETIT PISTON L.DP. MTM          | 1,00     |            | 08/03/2010 | --    |
| 0005   | PVVR41555 | 00041555         | FRETTE L.DOP. MTM               | 1,00     |            | 08/03/2010 | --    |
| 0006   | LAFN41552 | 00041552         | TUYAU D. 22 MTM                 | 1,00     |            |            | --    |
| 0007   | VTRS15958 | 00015958         | RONDELLE UNI 6592 5X15X1,5 ZB   | 1,00     |            |            | --    |
| 0008   | VTVT17639 | 00017639         | VIS TCEI M 5X10 UNI 5931        | 1,00     |            |            | --    |
| 0009   | MPVR41554 | 00041554         | POIGNEE D. 22 MTM               | 1,00     |            |            | --    |



| Ref. | K | Part N.   | Customer Part N. | Description                        | Qty  | Validity: |    | Price |
|------|---|-----------|------------------|------------------------------------|------|-----------|----|-------|
|      |   |           |                  |                                    |      | From      | To |       |
| 0001 |   | MPVR92147 |                  | HANDLE AVV/TUB"SERIE F"138-60 M8   | 1,00 |           |    | --    |
| 0002 |   | VTRS00504 |                  | WASHER D. 8 TE ZC. UNI 6592        | 1,00 |           |    | --    |
| 0003 |   | VTAE33674 |                  | CIRCLIP D. 22 UNI 7435             | 1,00 |           |    | --    |
| 0003 |   | VTAE33674 |                  | CIRCLIP D. 22 UNI 7435             | 1,00 |           |    | --    |
| 0003 |   | VTAE33674 |                  | CIRCLIP D. 22 UNI 7435             | 1,00 |           |    | --    |
| 0003 |   | VTAE33674 |                  | CIRCLIP D. 22 UNI 7435             | 1,00 |           |    | --    |
| 0003 |   | VTAE33674 |                  | CIRCLIP D. 22 UNI 7435             | 1,00 |           |    | --    |
| 0004 |   | LAFN40808 |                  | HOSE WIND.SUPP.PW-H35 SX           | 1,00 |           |    | --    |
| 0005 |   | VTVT01573 |                  | SCREW TCEI 8X25 UNI5931            | 1,00 |           |    | --    |
| 0006 |   | VTVT40006 |                  | SCREW AF TCB-TC 5 X20 HILO INX     | 4,00 |           |    | --    |
| 0007 |   | VTRS04924 |                  | WASHER D.23X 39                    | 1,00 |           |    | --    |
| 0007 |   | VTRS04924 |                  | WASHER D.23X 39                    | 1,00 |           |    | --    |
| 0008 |   | MPVR40581 |                  | HOSE REEL PRT.ANM PP               | 1,00 | 10/2013   |    | --    |
| 0008 |   | MPVR40581 |                  | HOSE REEL PRT.ANM PP               | 1,00 | 10/2013   |    | --    |
| 0009 |   | TBAP40190 |                  | HOSE-FITTING 5/16 R1 3/8M -M22 F   | 1,00 |           |    | --    |
| 0010 |   | LAFN40808 |                  | HOSE WIND.SUPP.PW-H35 DX           | 1,00 |           |    | --    |
| 0011 |   | LAFN40551 |                  | AXLE PW-H35 3PZ.                   | 1,00 |           |    | --    |
| 0012 |   | RCIN10577 |                  | MALE COUPLING 1/4MA                | 1,00 |           |    | --    |
| 0013 |   | GUVR37665 |                  | ANTI-EXTR.RING D.17.8X22 X1.5 PTFE | 2,00 |           |    | --    |
| 0014 |   | GUGO01032 |                  | O-RING D. 17.13 X 2.62 NBR 70SH    | 2,00 |           |    | --    |
| 0015 |   | RCDS89862 |                  | BLOCK PRT-P237 G3/8 OT.            | 1,00 |           |    | --    |
| 0016 |   | VTRS00512 |                  | WASHER D. 8 X24 ZC.                | 4,00 |           |    | --    |
| 0017 |   | VTVT00452 |                  | SCREW TE 8X 50 UNI 5739            | 4,00 |           |    | --    |
| 0018 |   | MPVR40518 |                  | BUSHING D.28-38/22.5 L=12 PVC N    | 1,00 |           |    | --    |
| 0018 |   | MPVR40518 |                  | BUSHING D.28-38/22.5 L=12 PVC N    | 1,00 |           |    | --    |
| 0019 |   | VTRS40016 |                  | WASHER D.22 X32 X1.2 ZC.           | 1,00 |           |    | --    |
| 0019 |   | VTRS40016 |                  | WASHER D.22 X32 X1.2 ZC.           | 1,00 |           |    | --    |
| 0019 |   | VTRS40016 |                  | WASHER D.22 X32 X1.2 ZC.           | 1,00 |           |    | --    |
| 0019 |   | VTRS40016 |                  | WASHER D.22 X32 X1.2 ZC.           | 1,00 |           |    | --    |