

Service Parts List (Kits)

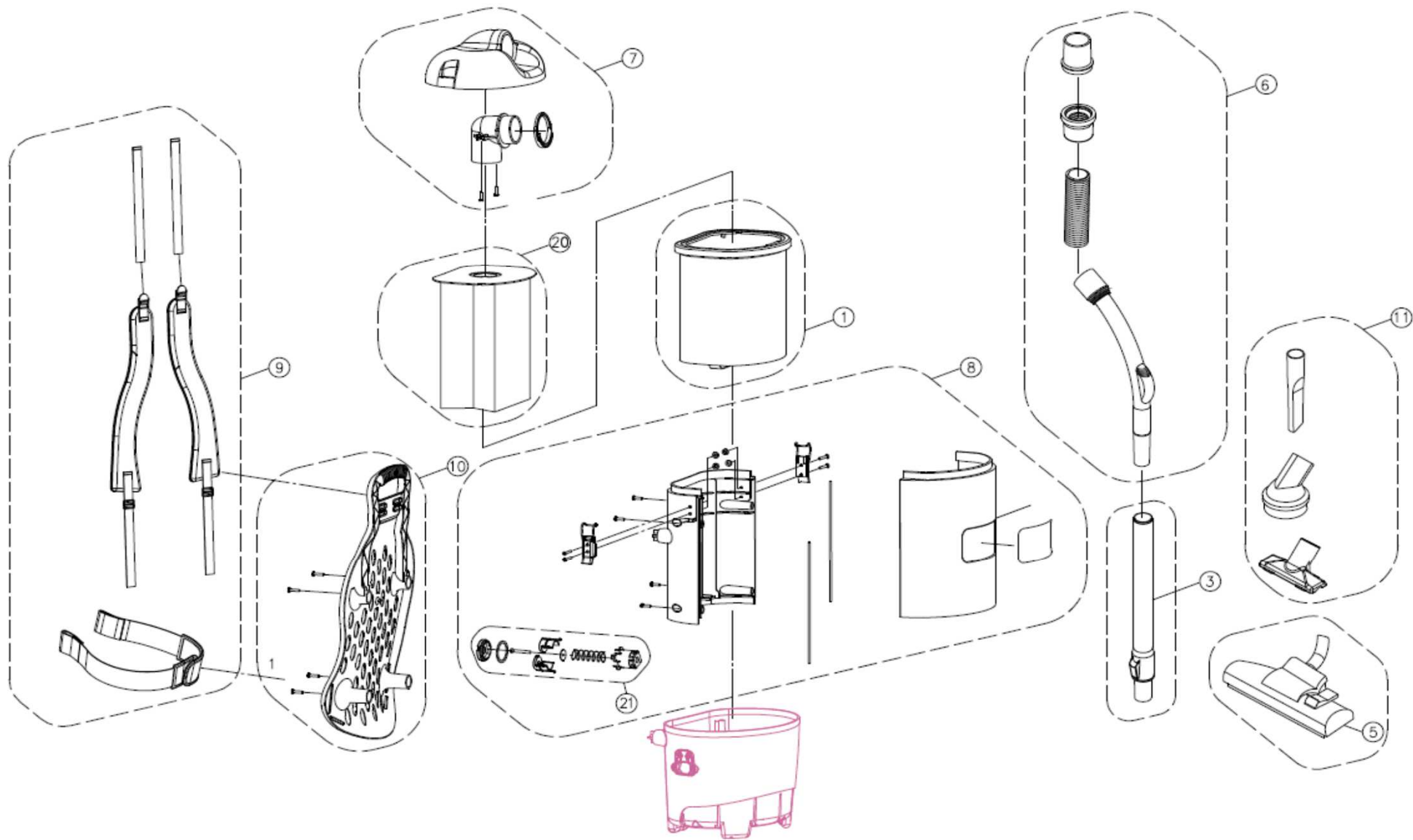
Model Ref.:- VBPIIe

SERIES A From Serial Number 0317A00001

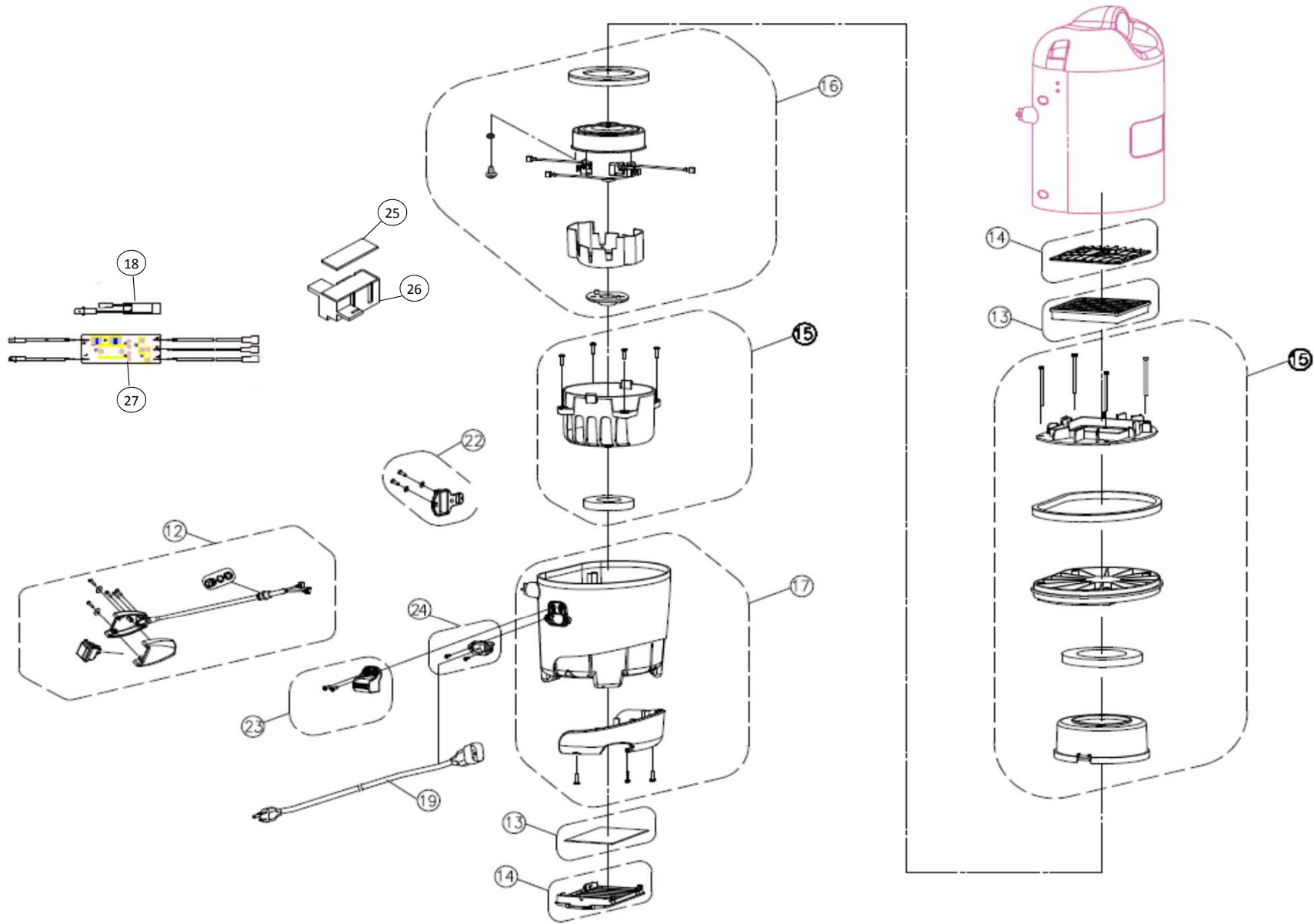
Service Parts List (Kits) Issue 1 Dated 20-JUNE-2017

Ref. Drawing 09-1151-0000 Issue B Dated 15-JULY-2016

Drawing Ref.	Part Number	DESCRIPTION	Qty Per Kit
1	BA01834000	SHAKE OUT BAG	1
3	BA10623000	TELESCOPIC WAND	1
5	HB15C	CARPET TOOL	1
6	U2-U11-085	HOSE ASSY	1
7	U2-U11-131	COVER ASSY	1
8	U2-U11-227	CANISTER ASSY	1
9	U2-TU1-001	SHOULDER STRAP ASSY	1
10	TU1AB00015	BACK REST ASSY	1
11	U2-U11-086	ACCESSORY TOOLS	1
12	008BA0045	SWITCH HARNESS ASSY	1
13	TU1AB00018	FILTER ASSY	1
14	U2-U11-149	FILTER FRAME ASSY	1
15	U2-TU1-004	MOTOR MOUNT ASSY	1
16	U2-U11-404	MOTOR ASSY (850W)	1
17	U2-TU1-002	MOTOR COMPARTMENT ASSY	1
18	BA10323000	THERMAL PROTECTION SWITCH	1
19a)	008BA0031	UK POWER CORD	1
19b)	008BA0071	EURO POWER CORD	1
20	U2-U11-078	PAPER BAG (PACK OF 10)	1
21	AEA1435582	RELIEF VALVE	1
22	U2-U11-341	230V CORD RETAINER	1
23	U2-U11-343	PLUG RECEPTACLE COVER	1
24	U2-U11-335	PLUG RECEPTACLE	1
25	AE1903000	CIRCUITBOARD BOX LID	1
26	AE1893582	CIRCUITBOARD BOX	1
27	008BA0046	CIRCUITBOARD	1



Tacony CFC		VBP II	
		Drawing Number: 09-1151-0000	
Date:	10.04.2015		
Machine:	VALET BACKPACK II		
Reference Parts List:	09-1144-0000		
Modified By:	N DOWSE		
Revision:	A		
			ECN #
			N/A



Tacony CFC		VBP II	
		Drawing Number: 09-1151-0000	
Date:	25.07.2016		
Machine:	VALET BACKPACK II		
Reference Parts List:	09-1144-0000		
Modified By:	N DOWSE		
Revision:	B		
			ECN #
			N/A

Electrical Diagram

