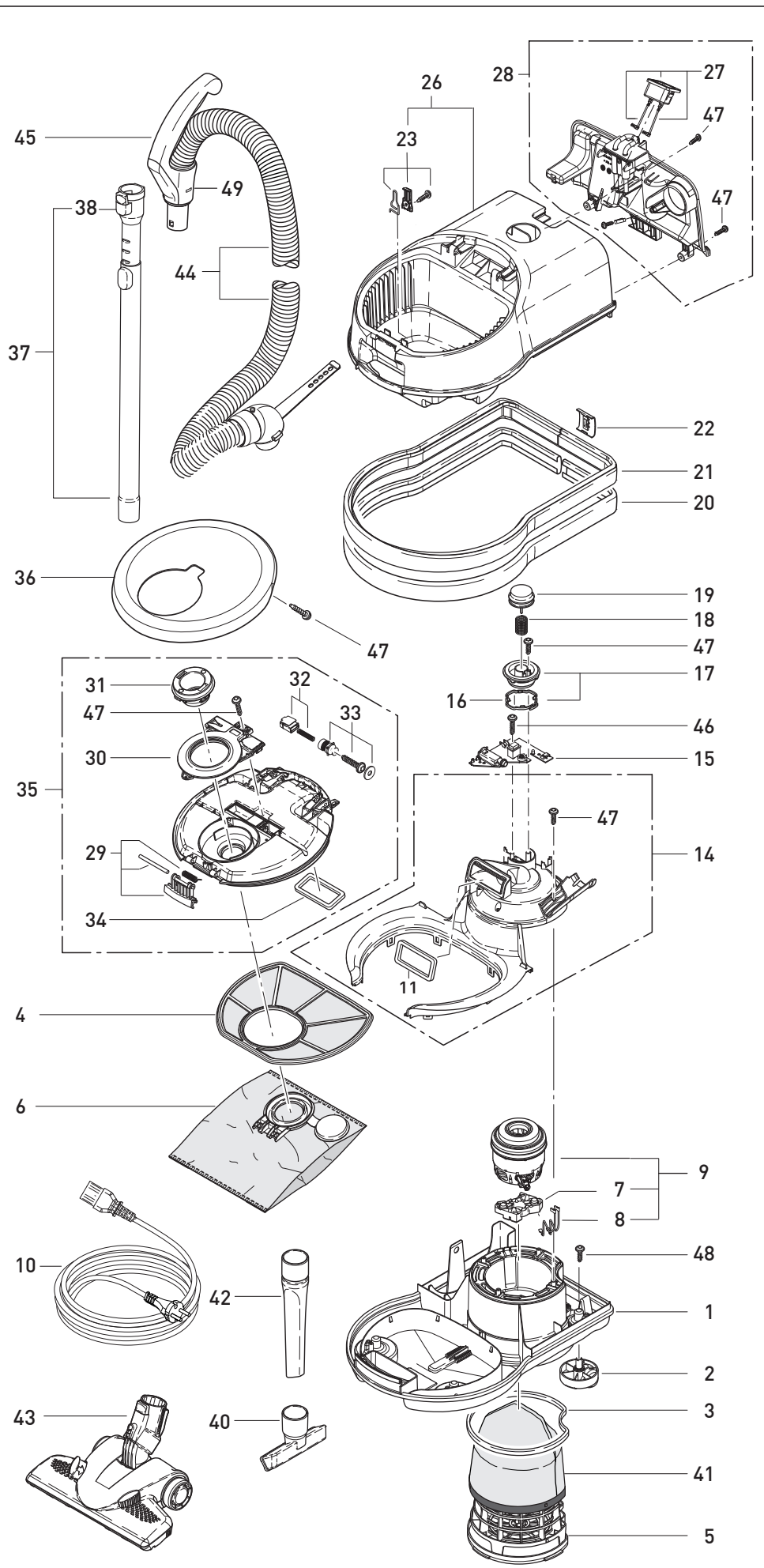


This information intended only for Europe (230 V / 240 V) and does not apply to North America!



SEBO PROFESSIONAL D8 700W



Pos.	Art.-No.	Benennung (DE)
1	8001hgER	Bottom casing
2	8086gs	Castor cpl.
3	8065ER	Exhaust filter seal
4	8022ER	Micro filter box D
5	8084ER	Filter holder
6	8120SE	SEBO-Filterbox Prof. D
7	8045ER	Motor support
8	8090ER	Internal cable set
9	8193ER	Vacuum motor 220 -240V, 700W cpl.
10	819001	Mains cable Cable with EU-plug
11	8009	Motor inlet seal
14	8123ER	Motor cover cpl.
15	8101ER	Printed Circuit board
16	8058ER	Retaining ring
17	8038ER2	Power display
18	8057	Spring
19	8202gs	Power knob
20	6047ER01	Air belt, grey black
21	8033UL	Foam bumper
22	8034gs	Air Belt clip
23	8140ER	Filter bag spring
26	8003hgER	Top casing
27	8177ER	Power socket
28	8148ER	Attachment holder
29	8114ER	Cover release
30	8129EC	Cover insert
31	8078gs	Hose neck
32	7020ER	Bag indicator
33	8127ER	Bag indicator adjuster
34	8130	Cover seal
35	8051ER3	Inside cover cpl. 700W
36	8005D8ER	Cover
37	6237ER	Telescopic tube stainless steel
38	1735ER	Release button cpl.
40	8142gs	Upholstery nozzle
41	8026ER	Micro filter box D
42	8066gs	Crevice nozzle
43	7260GS	SEBO COMBINATION HEAD grey-black
44	8125ER	Hose with end couplings
45	6300gs	Handle grip cpl.
46	01000ER	Screw C 2,9x16, 10 pcs.
47	01036ER	Screw 4 x14 , 10pcs.
48	0102ER	Screw F 3,9x13 10 pcs.
49	6303gs	Retaining ring