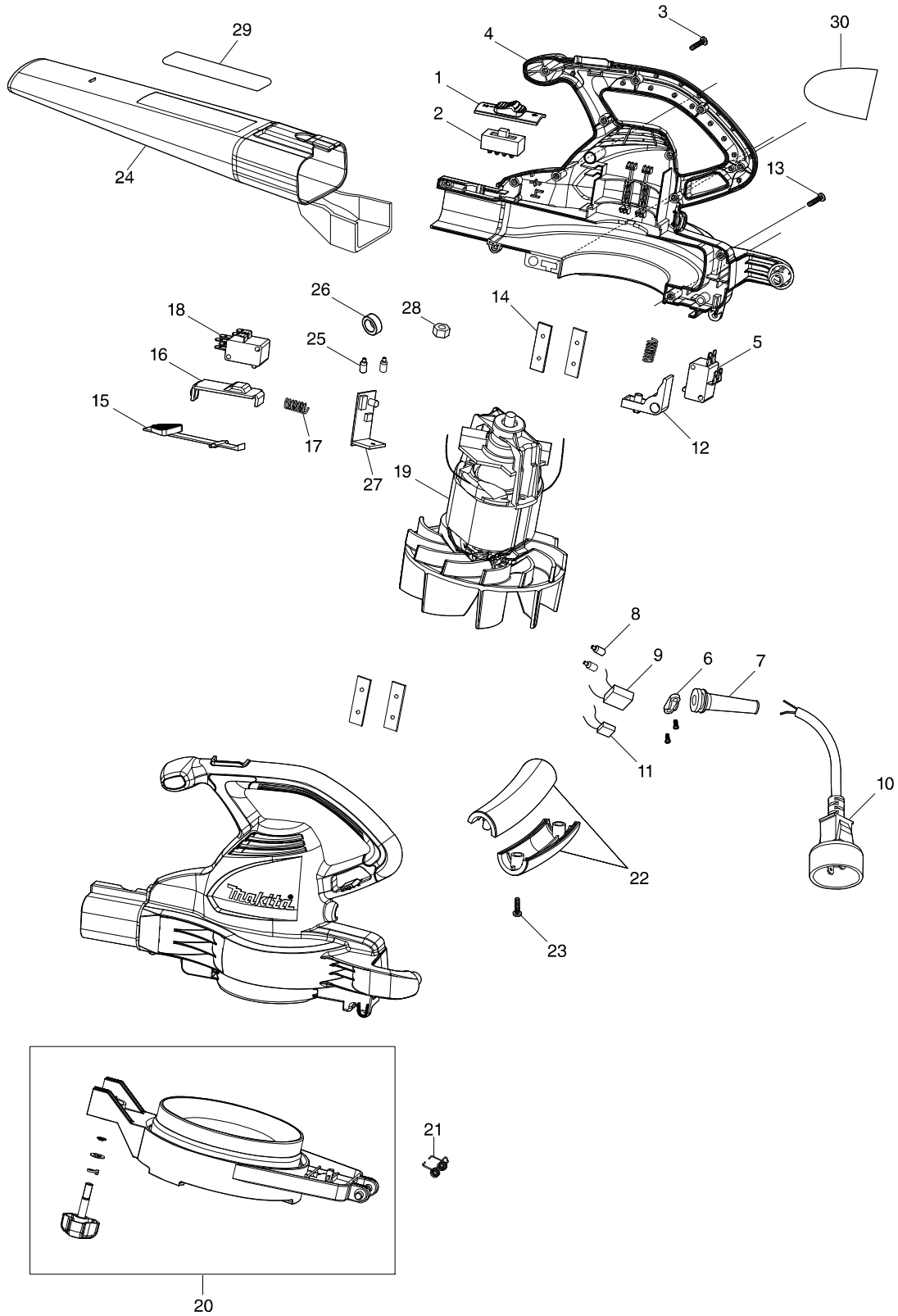


Numéro du modèle EB166 ELECTRIC BLOWER



Numéro du modèle EB166 ELECTRIC BLOWER

Position	Référence pièce	Description	Echelle	QTE	N/O	Option 1	Option 2	COMMENTAIRE
001	GT34105148	SWITCH BOARD		1			P1	
002	GT03630179	SLIDE SWITCH		1			P5	
003	GT32203133	SCREW ST4X14-F		9			P1	
004	GT00000005	HOUSING SET (DOLMAR)		1				
005	GT36301441	MICRO SWITCH		1			P16	
006	GT03410801	CORD CLAMP		1			P1	
007	GT03420102	CABLE SLEEVE		1			P1	
008	GT03650135	B TERMINAL		2			P1	
009	GT36903166	CAPACITOR		1			P1	
010	GT00000006	POWER SUPPLY CORD		1				
011	GT36901808	RESISTANCE		1			P2	
012	GT00000009	PENDULAM BAR		1				
013	GT03220106	SCREW ST4*18-F		5			P1	
014	GT34201808	MOTOR WASHER		4			P1	
015	GT34108809	TUBE BUTTON		1			P1	
016	GT33301808	TRIGGER PLATE		1			P1	
017	GT33401862	SWITCH SPRING		1			P1	
018	GT36301441	MICRO SWITCH		1			P16	
019	GT31102808	MOTOR ASSEMBLY		1			P37	
020	GT00000010	INLET SHIELD ASSEMBLY		1				
021	GT33401142	TURNING SPRING		1			P1	
022	GT31104809	AUXILIARY HANDLE SET		1			P8	
023	GT03220106	SCREW ST4*18-F		2			P1	
024	GT00000012	BLOWING NOZZLE		1				
025	GT36902808	MAGNETIC RING		1			P2	
026	GT03650339	B TERMINAL		2			P1	
027	GT36201808	SPEED PCB		1			P23	
028	GT00000015	NUT M6		1				
029	GT38103808	LABEL FOR BLOWER TUBE		1				
030	GT00000017	NAME PLATE EB166		1				
031	GT33401862	SWITCH SPRING		1			P1	
032	GT32203133	SCREW ST4X14-F		2			P1	
A01	GT00000011	VACUUM PIPE ASSEMBLY		1				
A02	GT38101808	LABEL FOR VAC. TUBE		1				
A03	GT00000014	DUST BAG ASSEMBLY		1				