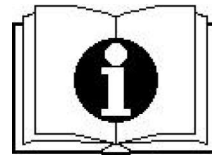




— **SCHEMATIC DRAWINGS** —

装配示意图



手推式洗地机 T15B

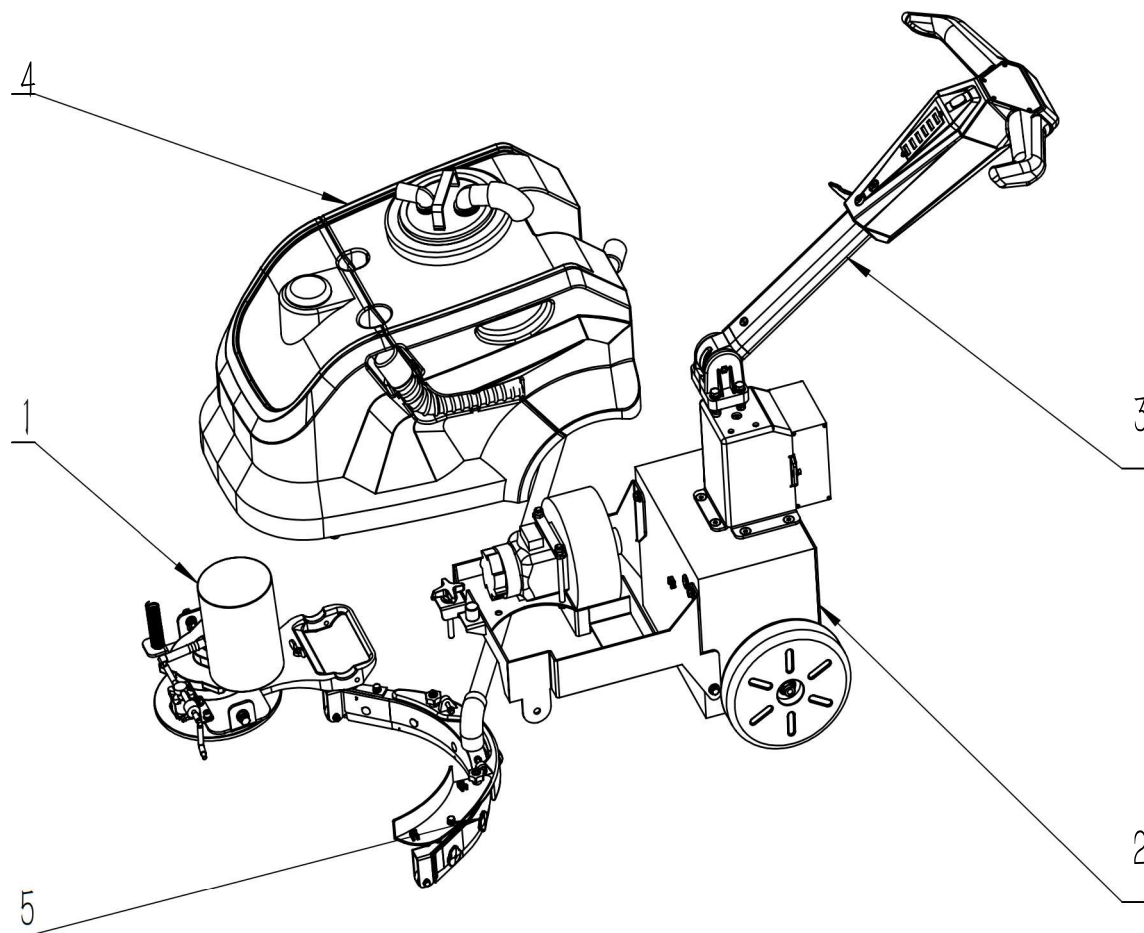
Scrubber Dryer T15B

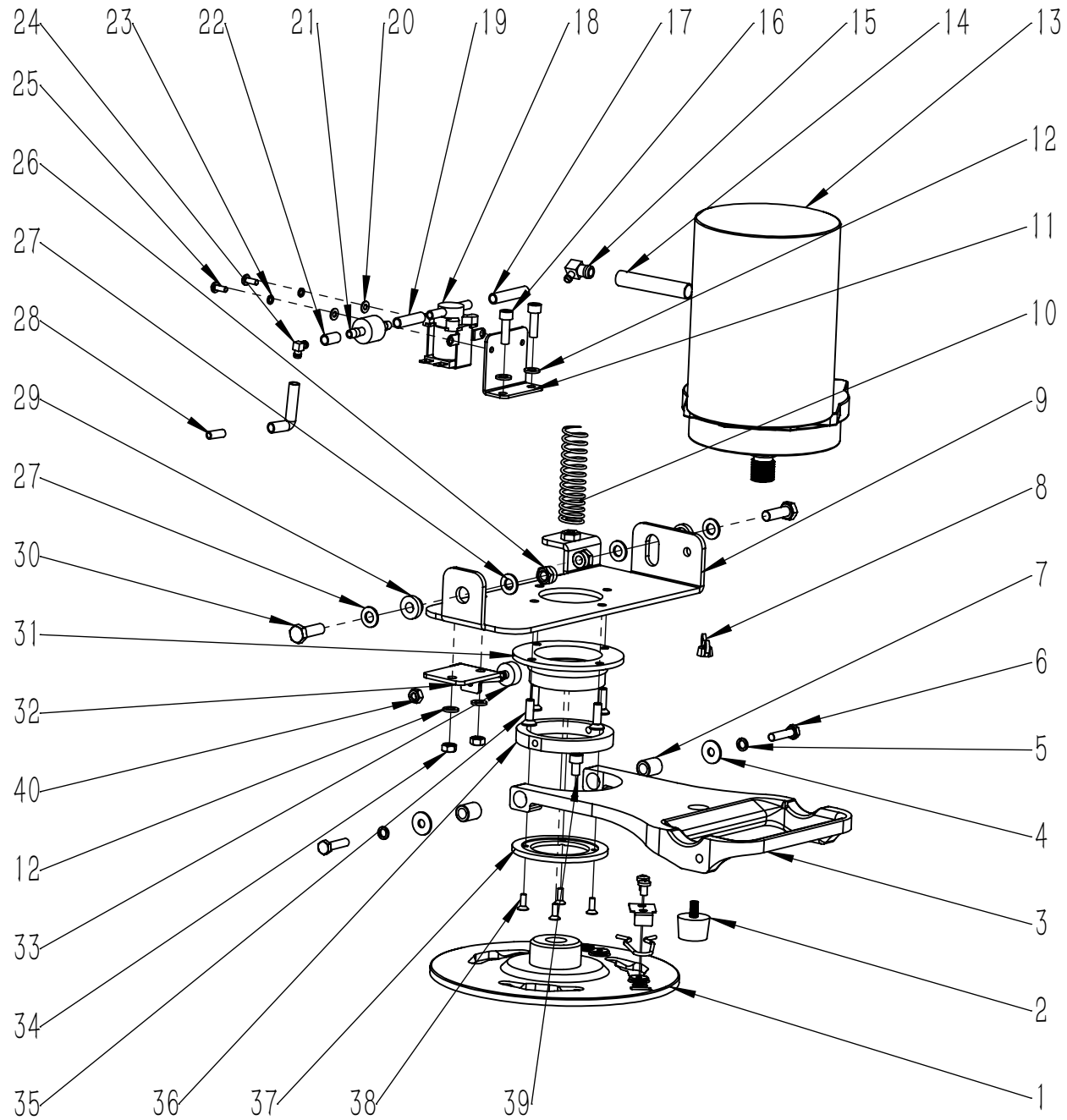
Issued in JUNE 2020
V00



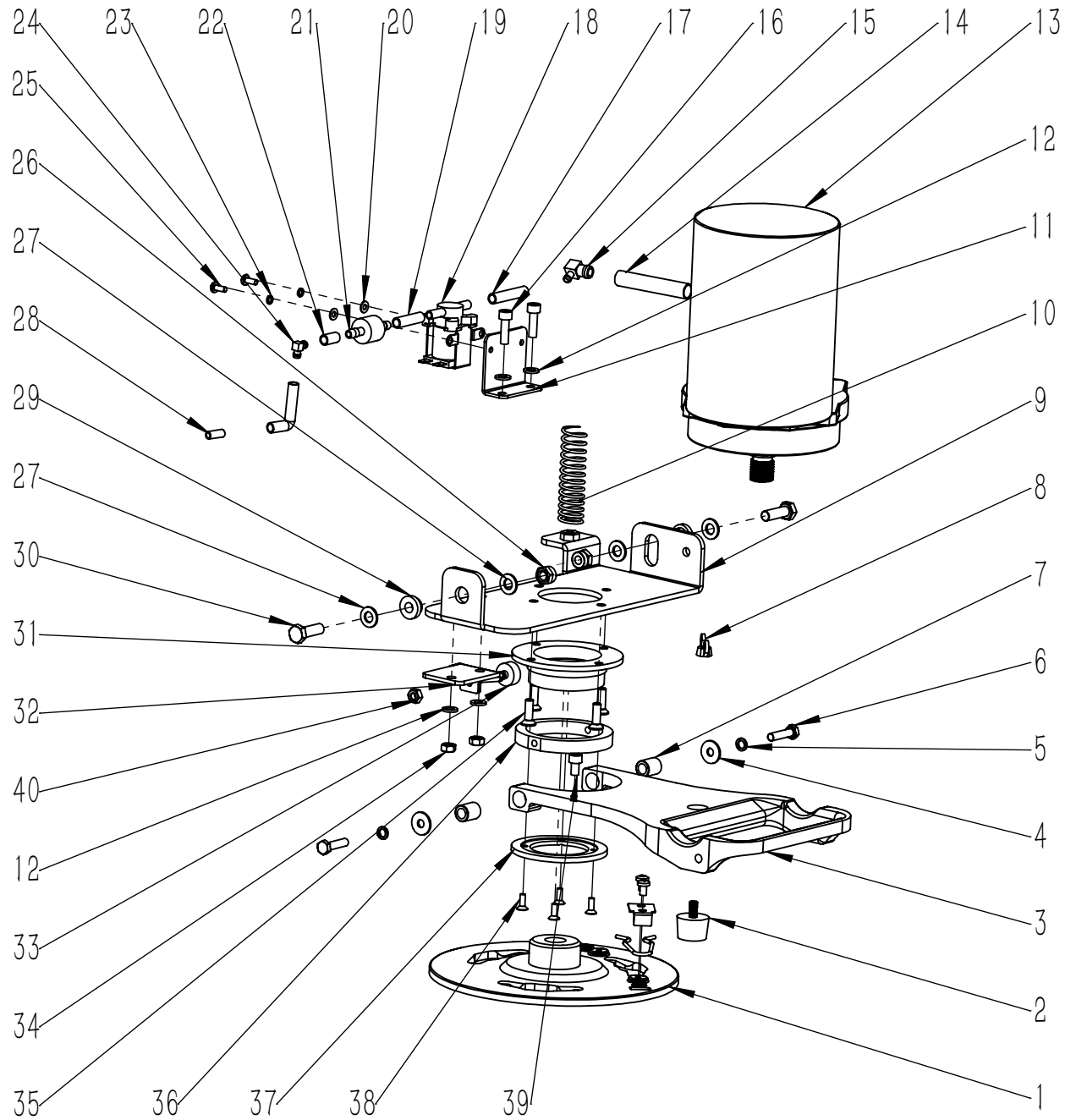
目 录

1. 机头组件·····1—4
NOSE ASSEMBLY
2. 底座架组件·····5—10
FRAME ASSEMBLY
3. 手柄盒组件·····11—12
HANDLE BOX ASSEMBLY
4. 水箱体组件·····13—14
WATER TANK ASSEMBLY
5. 扒头组件·····15—16
SQUEEGEE ASSEMBLY
6. 包装组件·····35
ACCESSORIES

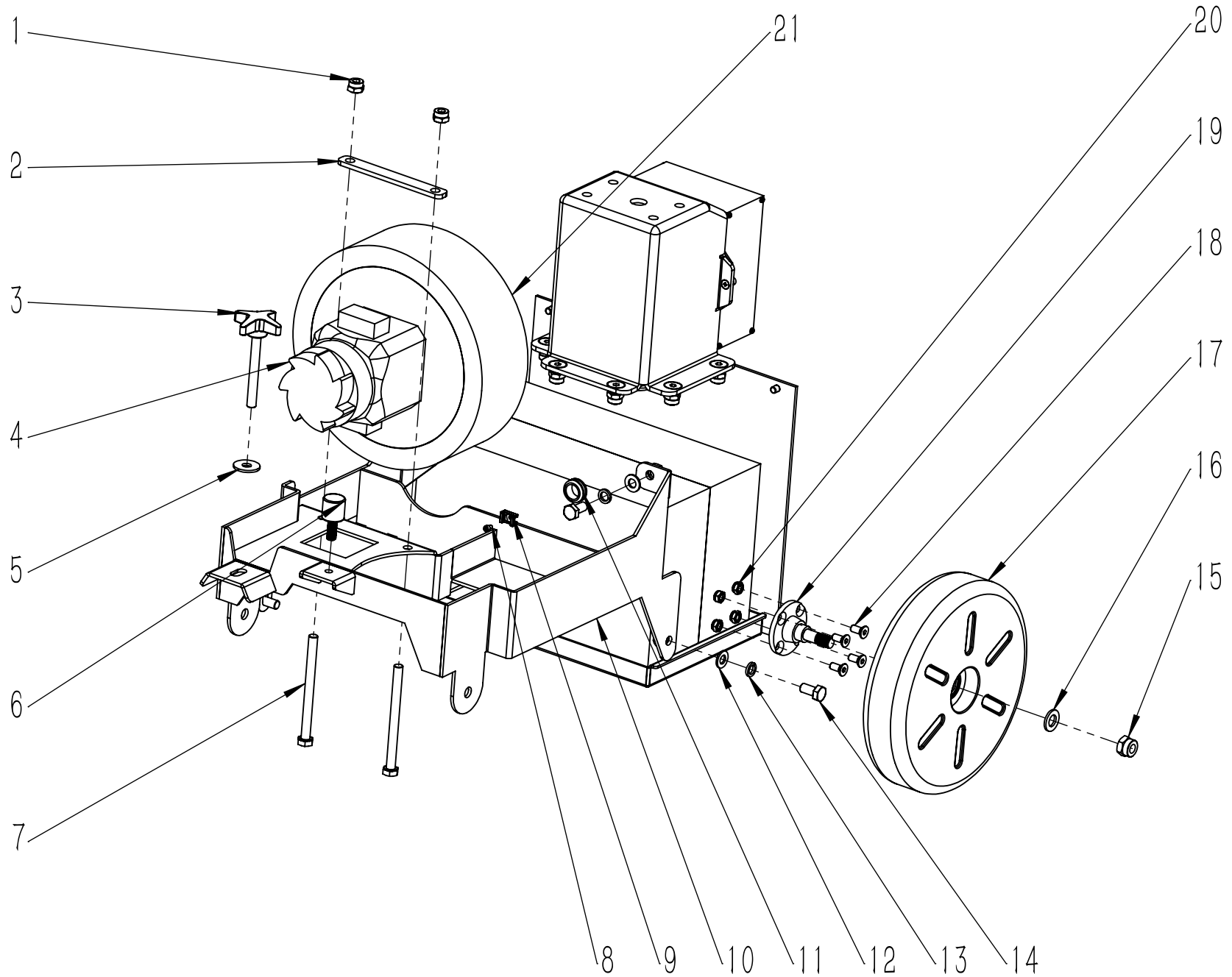




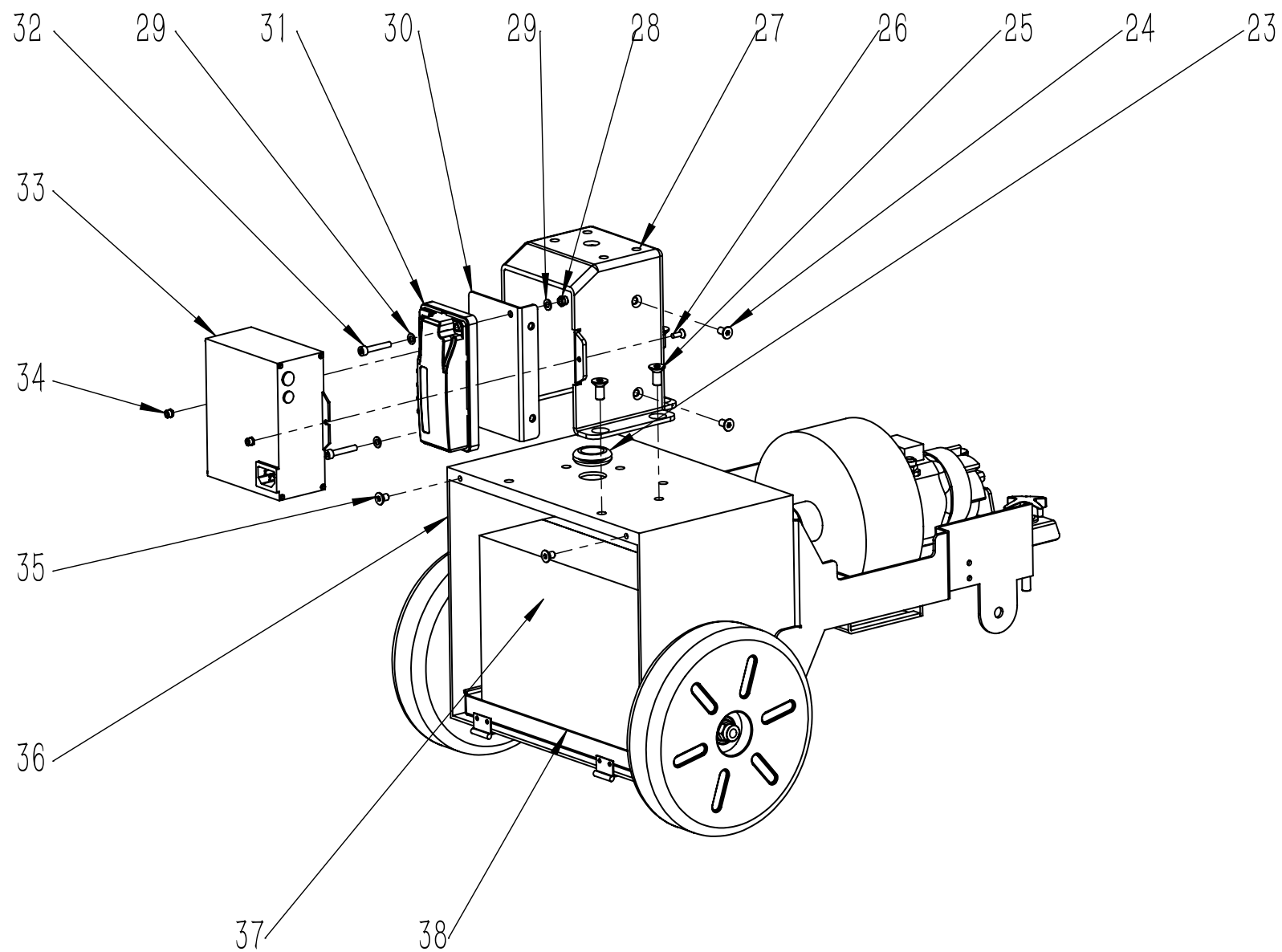
项目号 ITEM	零件号 P/N	数量 QTY	名称	DESCRIPTION
1	W020077	1	刷盘锁紧器组件-左	LOCKER ASSEMBLY-LEFT
2	C020222	1	橡胶减震垫 D25X17	RUBBER DAMPING PAD D25X17
3	D010031	1	扒头支架 T15	SUPPORT T15
4	N030008	2	平垫 6x18x1.6 镀锌	WASHER 6x18x1.6 ZINC
5	N040001	2	弹垫 6 镀锌	LOCK WASHER M6 ZINC
6	N010020	2	外六角 M6x25 镀锌	SCREW M6x25 ZINC
7	B020039	2	铜套-13×8.2×15-T15	BUSHING 13×8.2×15 T15
8	N020057	1	蝶形螺母-M6-不锈钢	WING NUT M6 A2
9	A030095	1	电机安装板 15	MOTOR MOUNTING PLATE T15
10	B070033	1	机头压簧 D2XD20X75	HEAD COMPRESSION SPRING D2XD20X75 T15
11	A060033	1	电磁阀支架 T15	SOLENOID VALVE SUPPORT T15
12	N030024	4	平垫-6x12x1.6-不锈钢	WASHER 6x12x1.6 A2
13	E040162	1	刷盘电机-24V-250W-T15	BRUSH MOTOR 24V 250W T15
14	F050065	1	硅胶水管 D=14 d=10 L=50 T15	SILICONE HOSE D=14 d=10 L=50 T15
15	F020039	1	变径宝塔接头-10-6-T15	REDUCER PAGODA CONNECTOR-10-6-T15
16	N010057	2	内六角圆柱头-M6x20-不锈钢	SCREW M6x20 A2
17	F050066	1	硅胶水管 D=8 d=6 L=45 T15	SILICONE HOSE D=8 d=6 L=45 T15
18	E010005	1	电磁阀-FPDF-88 24V-T15	SOLENOID VALVE FPDF-88 24V T15
19	F050067	1	硅胶水管 D=8 d=6 L=35 T15	SILICONE HOSE D=8 d=6 L=35 T15
20	N030053	2	平垫-4x9x1-不锈钢	WASHER 4x9x1 ZINC
21	F030072	1	过滤器 T15	FILTER T15
22	F050068	2	硅胶水管 D=8 d=6 L=30 T15	SILICONE HOSE D=8 d=6 L=30 T15
23	N040019	2	弹垫-M4-不锈钢	LOCK WASHER M4
24	F020040	1	变径宝塔接头-6-6-T15	REDUCER PAGODA CONNECTOR-6-6-T15
25	N010070	2	圆头十字-M4x10-不锈钢	SCREW M4x10 A2
26	N020001	2	自锁螺母 M8 镀锌	LOCK NUT M8 ZINC
27	N030006	4	平垫 8x16x1.6 镀锌	WASHER 8x16x1.6 ZINC
28	F050069	1	PE管 D=6 d=4 L=25 T15	PE PIPE D=6 d= 4 L=25 T15



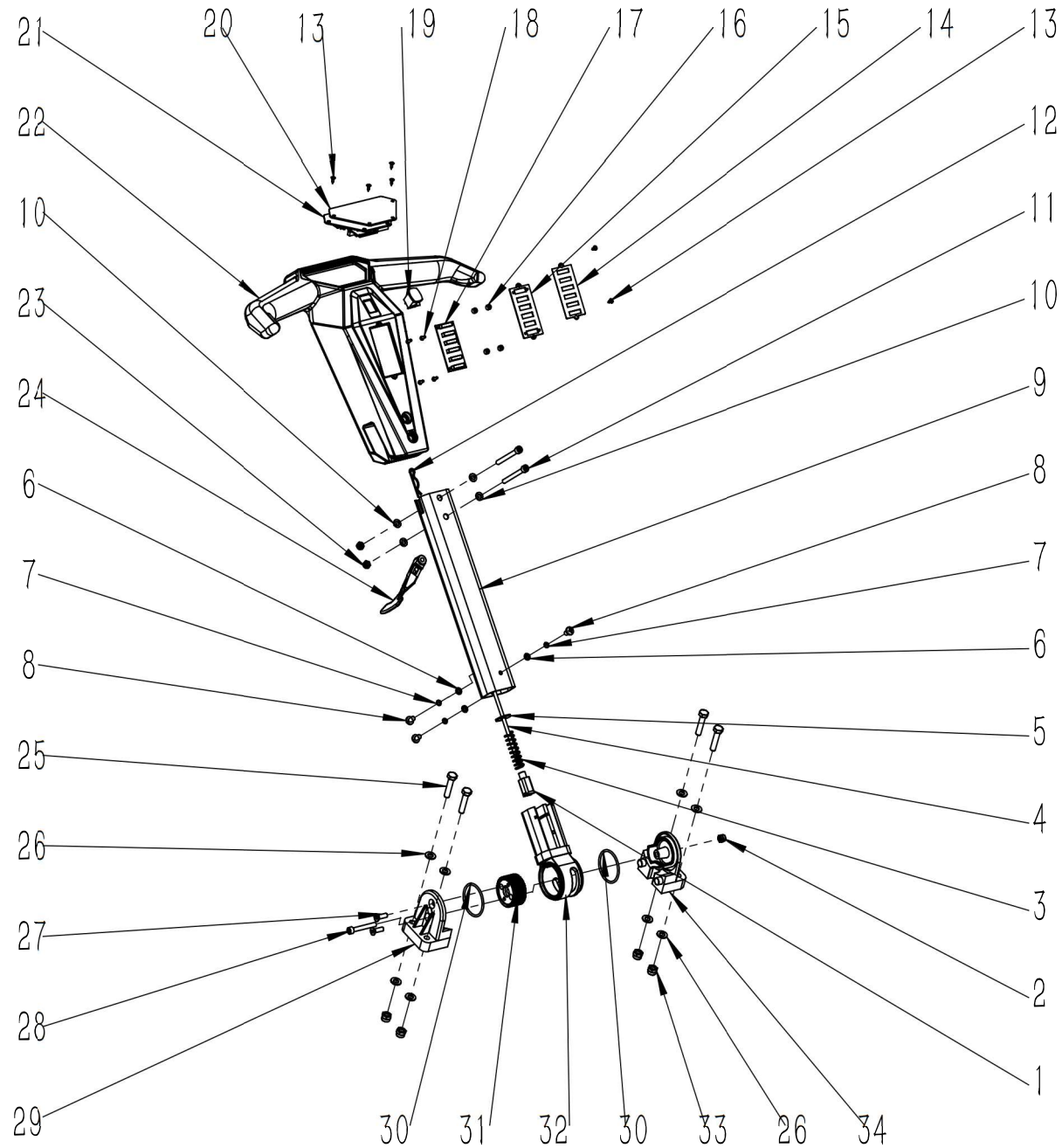
项目号 ITEM	零件号 P/N	数量 QTY	名称	DESCRIPTION
29	B020038	2	机头安装铜套 T15	MACHINE HEAD MOUNTING MOUNTING COPPER SLEEVE T15
30	N010007	2	外六角 M8x25 镀锌	SCREW M8x25 ZINC
31	A050074	1	连接套 T15	CONNECTION SLEEVE T15
32	A040093	1	限位块 T15	LIMIT BLOCK T15
33	C020280	1	橡胶减震垫 D18xH8xM6	RUBBER DAMPING PAD D18xH8xM6
34	N020005	2	六角螺母-M6-不锈钢	NUT M6 A2
35	N010016	4	沉头内六角-M6x20-不锈钢	SCREW M6x20 A2
36	A050075	1	扒头支架安装套	GRILLING HEAD BRACKET MOUNTING SLEEVE T15
37	A040090	1	底部盖板 T15	BOTTOM COVER T15
38	N010047	4	沉头十字螺钉 M4x12 不锈钢	SCREW M4x12 A2
39	N010264	1	圆头内六角 M6X10 滚花发黑	SCREW M6X10 KNURLED BLACK
40	N020022	1	螺母-M6-镀锌	NUT M6 ZINC



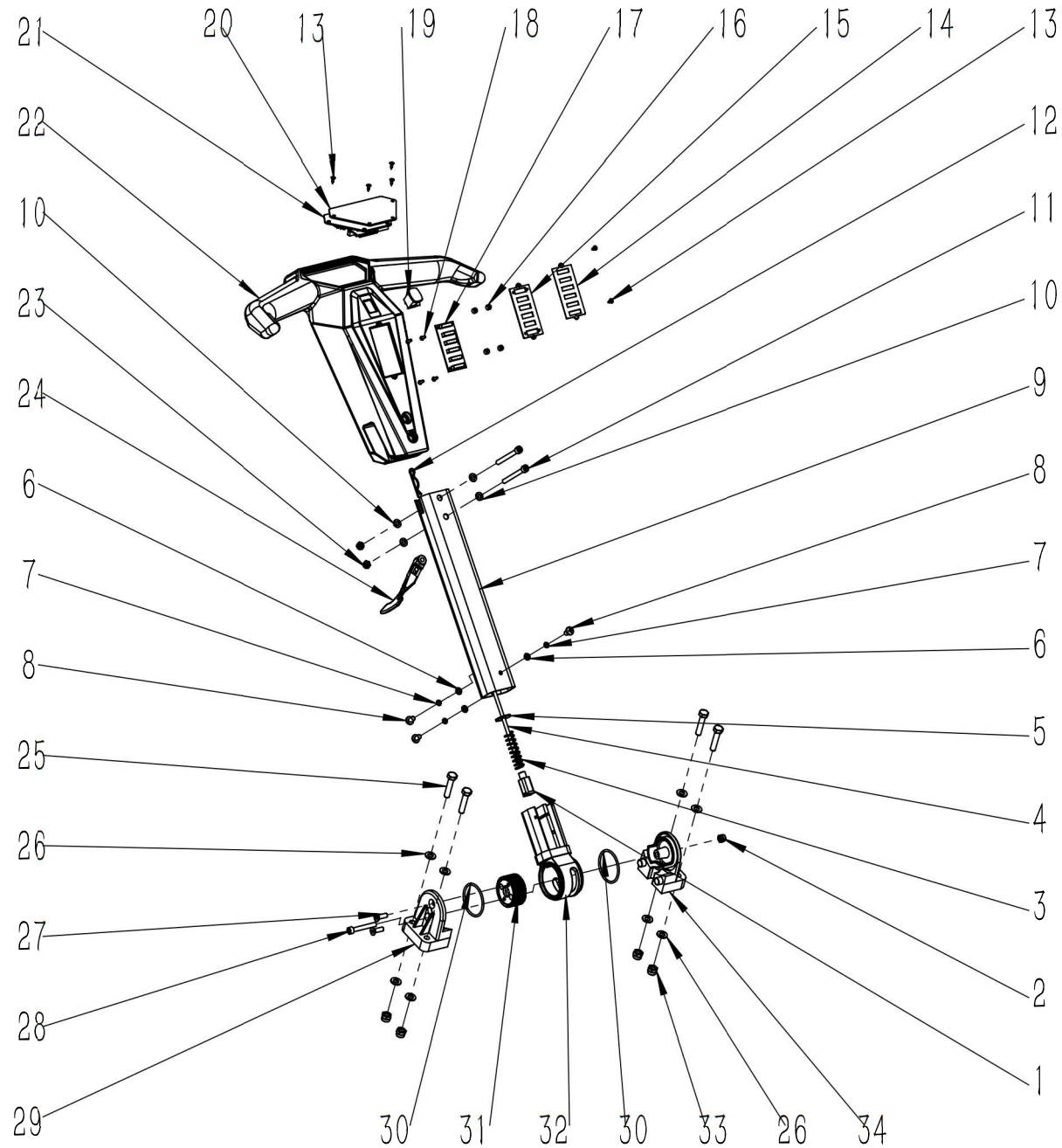
项目号 ITEM	零件号 P/N	数量 QTY	名称	DESCRIPTION
1	N020001	8	自锁螺母 M8 镀锌	LOCK NUT M8 ZINC
2	A020052	1	真空电机安装板	SUCTION SUPPORT T15
3	N100037	1	调节手柄 M8×70	ADJUSTER MEX70
4	E040163	1	真空电机 24V 250W	SUCTION SUPPORT 24V 250W T15
5	N030028	1	平垫 8x24x2 不锈钢	WASHER 8x24x2 A2
6	C020251	1	前部水箱垫脚	FRONT WATER TANK FEET T15
7	N010258	2	外六角 M8x100 镀锌	SCREW M8x100 A2
8	N010245	1	内六角圆柱头 M3x5 发黑	SCREW M3x5 BLACK
9	N090073	1	14.6x10 小线扣	14.6x10 SMALL WIRE BUCKLE T15
10	A030096	1	底座架 T15	BASE FRAM T15
11	E080121	1	线圈护套 14X2.5	COIL SHEATH 14x2.5 T15
12	N030006	4	平垫 8x16x1.6 镀锌	WASHER 8x16x1.6 ZINC
13	N040013	4	弹垫 8 镀锌	LOCK WASHER M8 ZINC
14	N010121	4	外六角-M8x16-镀锌	SCREW M8x16 ZINC
15	N020002	2	自锁螺母 M10 镀锌	LOCK NUT M10 ZINC
16	N030004	2	平垫 10x20x2 镀锌	WAHSE 10x20x2 ZINC
17	C020221	2	无驱轮-200X50-T15	DRIVELESS WHEEL 200x50 T15
18	N010236	8	沉头内六角 M6x14 不锈钢	SCREW M6X14 A2
19	A020051	2	定向后轮安装支架 T15	MOUNTING BRACKET FOR DIRECTIONAL REAR WHEEL T15
20	N020006	8	自锁螺母 M6 不锈钢	LOCK NUT M6 A2
21	C020263	1	电机消音棉 1 T15	MOTOR SILENCER COTTON 1 T15



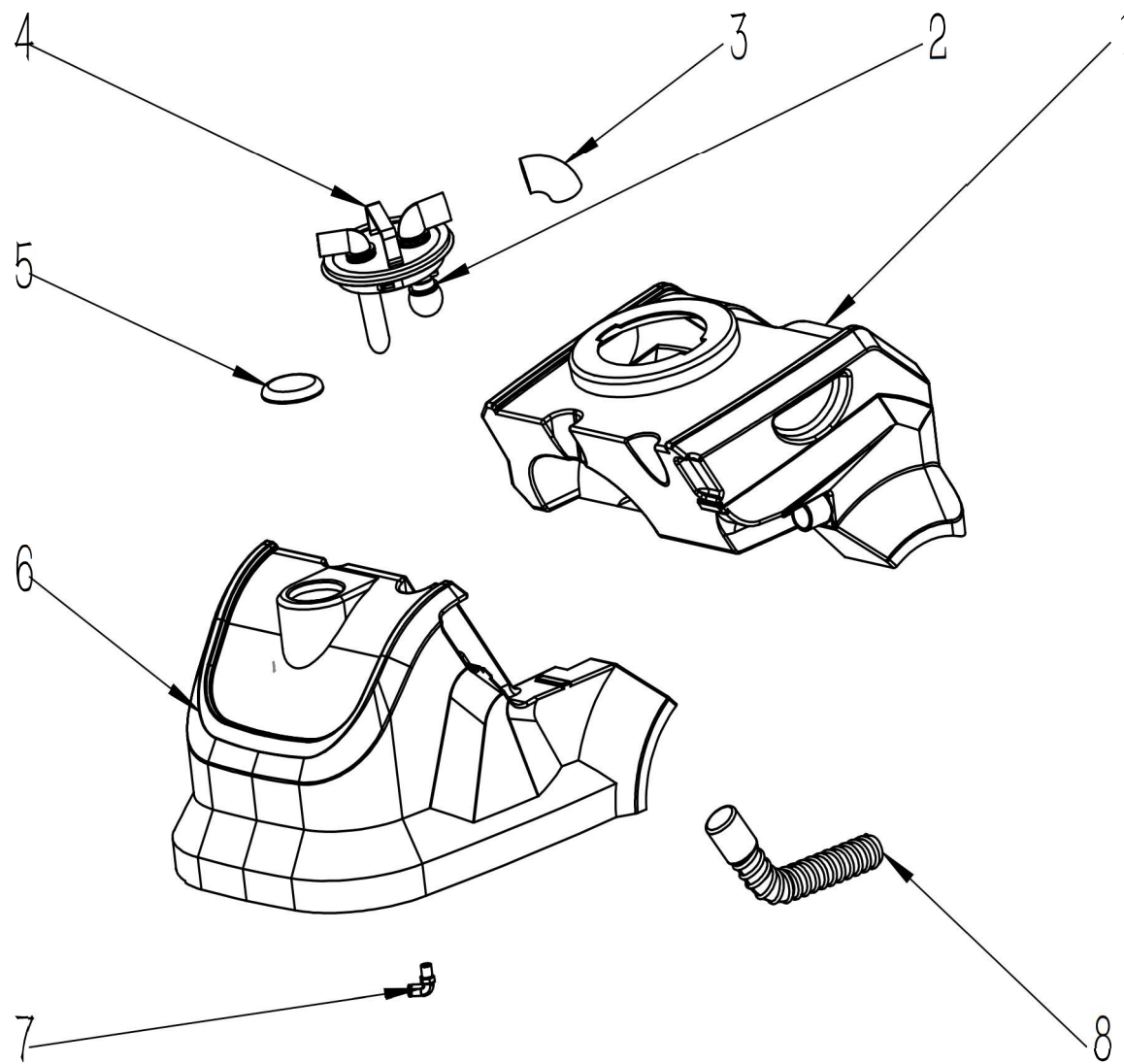
项目号 ITEM	零件号 P/N	数量 QTY	名称	DESCRIPTION
23	E080118	1	线圈护套-22x3-T15	COIL SHEATH 22x3 T15
24	N010154	2	沉头内六角-M6x12-不锈钢	SCREW M6x12 A2
25	N010019	6	沉头内六角-M8x18-镀锌	SCREW M8x18 ZINC
26	N010299	2	沉头十字螺钉-M4x12-不锈钢发黑	SCREW-M4x12-A2 BLACK
27	A010190	1	齿轮安装座 T15	GEAR MOUNT T15
28	N020037	2	自锁螺母 M5 不锈钢	LOCK NUT M5 A2
29	N030016	4	平垫 5x10x1 不锈钢	WASHER 5x10x1
30	A030098	1	控制器安装板 T15	CONTROLLER MOUNTING PLATE T15
31	E040165	1	大能控制器 T15	CONTROLLER TANENG T15
32	N010246	2	内六角圆柱头 M5x30 不锈钢	SCREW M5x30 A2
33	E050115	1	充电器-24V-5A-英文	BATTERY CHARGER 24V 5A ENGLISH
34	N020068	2	自锁螺母-M4-不锈钢发黑	LOCK NUT M4 A2 BLACK
35	N010255	2	沉头内六角 M6x10 发黑	SCREW M6x10 BLACK
36	A030093	1	电池盒 T15B	BATTERY BASE T15
37	E040142	2	铅酸电池-12V-36AH	LEAD-ACID BATTERIES 12V 36AH
38	A030094	1	电池座 T15	BATTERY CASE T15



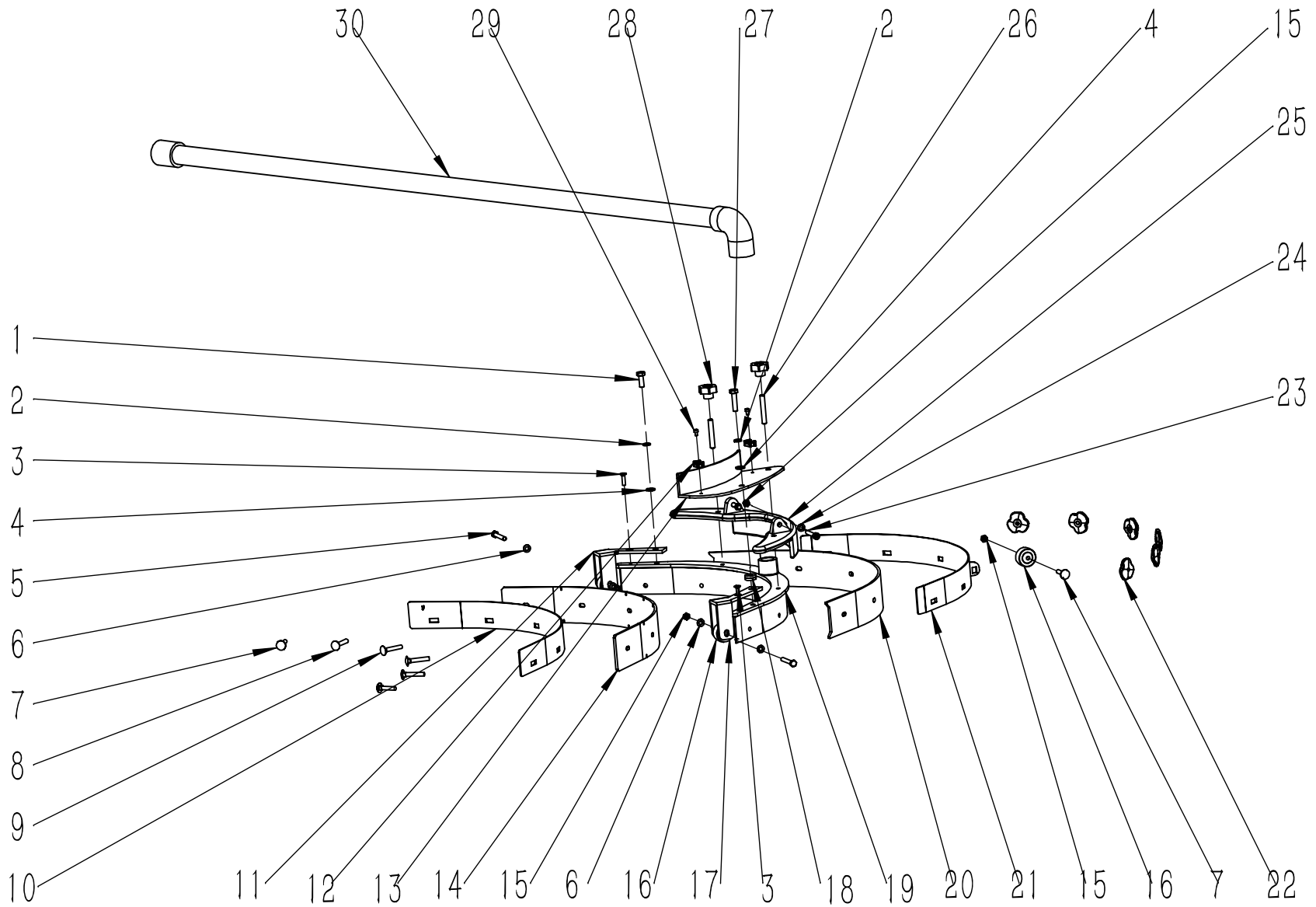
项目号 ITEM	零件号 P/N	数量 QTY	名称	DESCRIPTION
1	B060163	1	限位小齿轮 T15	LIMIT PINION T15
2	N020012	1	自锁螺母 M6 镀锌	LOCK NUT M6 ZINC
3	B070034	1	压簧-D2×D15×D56-T15	SPRING D2×D15×D56 T15
4	B060162	1	角度调节拉杆 T15	ANGLE ADJUSTMENT LEVER T15
5	N030027	1	大平垫 8x24x2 镀锌	WASHER 8x24x2 ZINC
6	N030016	3	平垫 5x10x1 不锈钢	WASHER 5x10x1
7	N040023	3	弹垫 5 不锈钢	LOCK WASHER M5
8	N010086	3	盘头十字螺钉 M5x10 不锈钢	SCREW M5x10 A2
9	B060160	1	推杆 T15	PUTTER T15
10	N030024	4	平垫-6x12x1.6-不锈钢	WASHER 6x12x1.6 A2
11	N010262	2	内六角圆柱头-M6x60-不锈钢	SCREW M6x60 A2
12	N100035	1	R 型弹簧插销 D2x40	BOLT TYPE R
13	N010239	6	沉头十字自攻螺丝 ST2.9x10 发黑	SCREW ST2.9X10 BLACK
14	C040281	1	电量显示板面贴 T15	POWER DISPLAY BOARD SURFACE STICKER T15
15	A030097	1	电量灯安装板 T15	POWER LIGHT MOUNTING PLATE T15
16	C030067	4	隔柱-7x3x5-T15	SEPARATOR 7x3x5 T15
17	E030041	1	电量显示板 T15	POWER DISPLAY BOARD T15
18	N010257	4	盘头十字螺钉 M3x8 不锈钢	SCREW M3x8 A2
19	E020066	1	电源开关 T15	POWER SWITCH T15
20	C040290	1	丝印板绿色 T15	SCREEN PRINTING BOARD GREEN T15
21	E030042	1	控制面板 T15	CONTROL PANEL T15
22	C010105	1	手柄盒-T15B-绿色	HANDLE BAR T15B GREEN
23	N020006	2	自锁螺母-M6-不锈钢	LOCK NUT M6 A2
24	D010038	1	角度调节拨块 T15	ANGLE ADJUSTMENT DIAL T15
25	N010008	4	六角 M8x35 镀锌	SCREW M8x35 ZINC
26	N030006	8	平垫 8x16x1.6 镀锌	WASHER 8x16x1.6 ZINC
27	N010016	2	沉头内六角 M6x20 不锈钢	SCREW M6x20 A2
28	N010238	1	内六角圆柱头 M6x45 镀锌	SCREW M6X45 ZINC



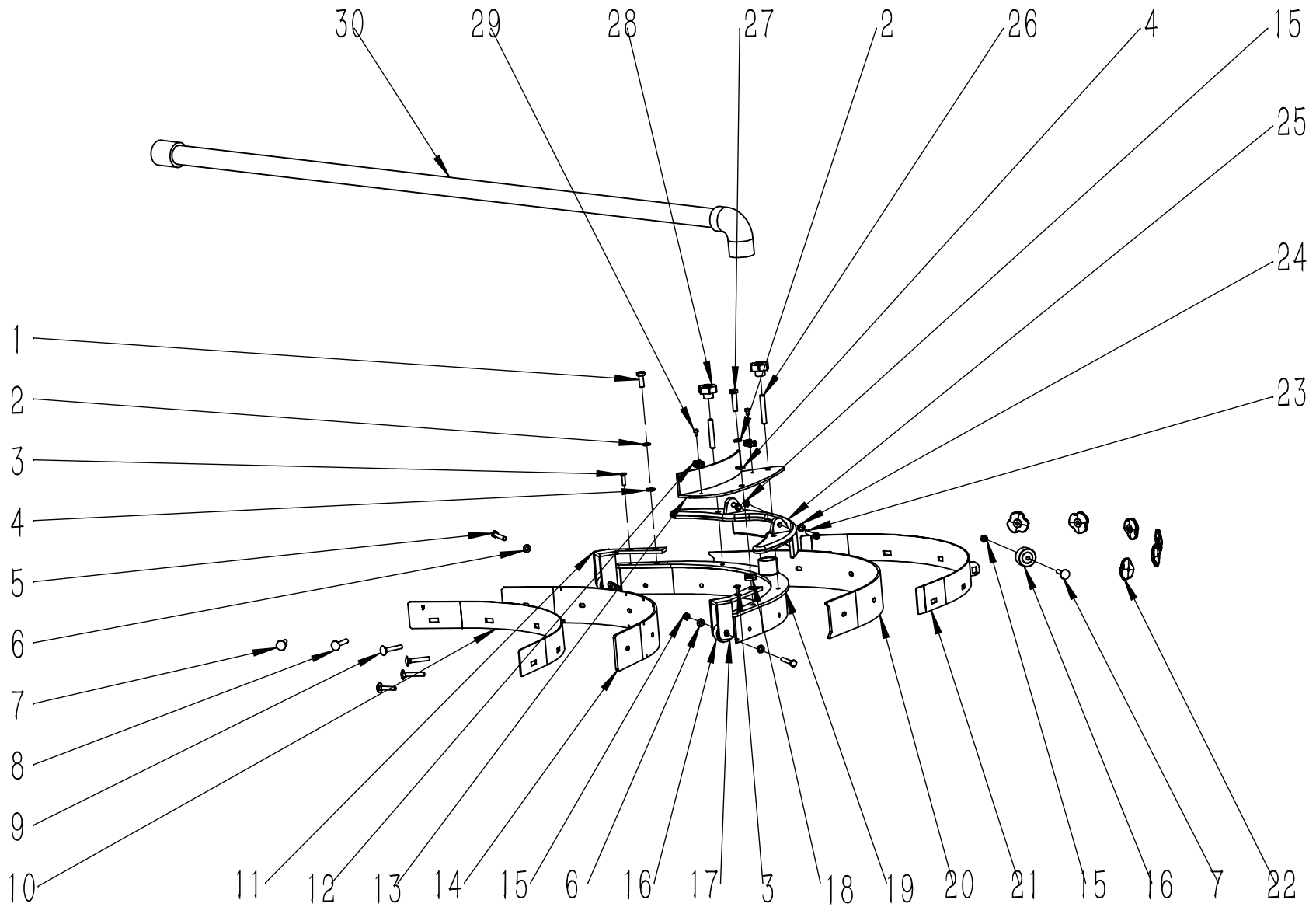
项目号 ITEM	零件号 P/N	数量 QTY	名称	DESCRIPTION
29	D010033	1	齿轮下安装座-右-T15	GEAR LOWER MOUNT RIGHT T15
30	N090074	2	O 型密封圈 D51 (外径) XD2.65 (线径)	O RING D51XD2.65
31	B060164	1	角度调节齿轮 T15	ANGLE ADJUSTMENT GESR T15
32	D010032	1	齿轮安装座 T15	GEAR MOUNT T15
33	N020001	4	自锁螺母 M8 镀锌	LOCK NUT M8 ZINC
34	D010034	1	齿轮下安装座-左-T15	GEAR LOWER MOUNT LEFT T15



项目号 ITEM	零件号 P/N	数量 QTY	名称	DESCRIPTION
1	C010102	1	污水箱-T15-绿色	RECOVERY TANK T15 GREEN
2	C030074	1	橡胶密封垫 D33xD26x3.5x10	RUBBER GASKET D33xD26x3.5x10
3	F060024	1	吸风管 T15	SUCTION PIPE T15
4	C020218	1	吸水口主体 T15	SUCTION BODY T15
5	C020048	1	清水箱注水口盖子 D76	THREADED COVER Φ76
6	C010101	1	清水箱-T15-绿色	SOLUTION TANK T15 GREEN
7	F020038	1	快速接头弯头 1/4 T15	QUICK CONNECTOR ELBOW 1/4 T15
8	F060023	1	排污管 T15	DRAINAGE PIPE T15



项目号 ITEM	零件号 P/N	数量 QTY	名称	DESCRIPTION
1	N010182	1	外六角-M6x16-不锈钢	SCREW M6x16 A2
2	N040011	2	弹垫 6 不锈钢	LOCK WASHER M6 A2
3	N010153	2	沉头十字螺钉 M4x16 不锈钢	SCREW M4x16 A2
4	N030024	2	平垫 6x12x1.6 不锈钢	WASHER 6x12x1.6 A2
5	N010229	2	外六角 M5x35 不锈钢	SCREW M5x35 A2
6	N030016	4	平垫 5x10x1 不锈钢	WASHER 5x10x1
7	N010218	3	圆头方颈螺栓 M5X25 不锈钢	SCREW M5x25 A2
8	N010217	2	圆头方颈螺栓 M5X30 不锈钢	SCREW M5x30 A2
9	N010219	2	圆头方颈螺栓 M5X35 不锈钢	SCREW M5x35 A2
10	A010191	1	扒头前固定板 T15	FRONT FIXING PLATE T15
11	D010039	1	扒头主体改右 T15	SQUEEGEE BODY CHANGED RIGHT T15
12	N090073	2	14.6x10 小线扣 T15	14.6x10 SMALL WIRE BUCKLE T15
13	D010037	1	吸污管固定板 T15	SEWAGE PIPE FIXING PLATE T15
14	C030064	1	扒头前胶条 T15	FRONT SQUEEGE BLADE RUBBER T15
15	N020037	5	自锁螺母 M5 不锈钢	LOCK NUT M5 A2
16	C020223	3	扒头定向脚轮	GRILLED DIRECTIONAL CASTERS T15
17	D010036	1	扒头主体改-左 T15	SQUEEGEE BODY CHANGED LEFT T15
18	D010035	1	扒头主体 T15	SQUEEGEE BODY T15
19	N030061	2	平垫-15x6.5x3-不锈钢	WASHER 15x6.5x3 A2
20	C030065	1	扒头后胶条 T15	REAR SQUEEGE BLADE RUBBER T15
21	A010192	1	扒头后固定板 T15	REAR FIXING PLATE T15
22	N020064	6	花型螺母 M5	NUT M5
23	N010246	2	内六角圆柱头 M5X30 不锈钢	SCREW M5x30 A2
24	N030031	2	平垫 5X10X1 镀锌	WASHER 5x10x1 ZINC
25	B060161	1	扒头配重块 T15	GRILLED WEIGHT T15
26	N010015	2	内六角平端紧定螺钉 M6x40 不锈钢	SCREW M6x40 A2
27	N010106	1	外六角-M6x25-不锈钢	SCREW M6x25 A2
28	N020007	2	滚花高螺母 M6	NUT M6





项目号 ITEM	零件号 P/N	数量 QTY	名称	DESCRIPTION
29	N010245	2	内六角圆柱头 M3X5 发黑	SCREW M3x5 BLACK
30	F060022	1	吸污管 T15	SUCTION HOSE T15

项目号 ITEM	零件号 P/N	数量 QTY	名称	DESCRIPTION
1	C040292	1	前标 T15	FRONT LABEL T15
2	C040293	1	左侧标签 T15	DECAL LEFT T15
3	C040294	1	右侧标签 T15	DECAL RIGHT T15
4	P010004	1	保修卡	WARRANTY CARD
5	P010012	1	测试报告	TEST REPORT
6	P010105	1	中文说明书 T15B	CHINESE MANUAL T15B
7	M010102	1	纸箱 T15	CARTON BOX T15
8	C040307	1	转运警示标贴中文 T15	TRANSIT WARNING LABEL CHINESE T15
9	W010435	1	包装组件 2-T15	PACKING ASSEMBLY2 T15
10	HC10005	50	P 钉	P NAIL
11	HC10015	2	尼龙编织带长 545x35mm	NYLON BRAIDED TAPE LONG 545x35
12	HC10017	8	封箱钉 35mmx18mm	SEALING BOX NAIL 35mmx18mm
13	M010101	1	纸箱上盖 T15	CARTON BOX COVER T15
14	M010014	1	说明书自封袋 340x240mm	PLASTIC PACKAGE BAG 340x240mm
15	M010015	1	塑料包装袋 1400x700x1000	PLASTIC PACKAGE BAG 1400x700x1000
16	M020037	1	木托盘 T15	WOOD PALLET T15
17	M020036	4	木条 T15 40X40X650	BATTEN 40x40x650 T15
18	M020007	12	支撑护角 50x50x100	ANGLE BEAD 50x50x100
19	M020008	4	三角挡块 50x50x100	TRIANGLE BLOCK 50x50x100
20	M020024	2	三角挡块 50x50x70	TRIANGLE BLOCK 50x50x70
21	N010130	1	内六角圆柱头-M8x60-不锈钢	SCREW M8x60 A2
22	N010159	4	沉头十字自攻螺丝-ST4x25-发黑	SELF TAPPING SCREW ST4x25 BLACK
23	N010160	10	沉头十字自攻螺丝-ST4x40-发黑	SELF TAPPING SCREW ST4x40 BLACK
24	N030022	4	平垫-6x18x1.6-不锈钢	WASHER 6x18x1.6 A2
25	M010098	1	刷盘防护膜 T15	BRUSH GUARD FOAM
26	M010100	1	真空棉 T15 410X245X20	VACUUM COTTON 410X245X20 T15
27	N100056	1	内六角扳手 4MM	HEXAGONAL WRENCH 4MM