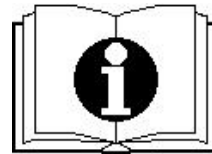




— **SCHEMATIC DRAWINGS** —

装配示意图

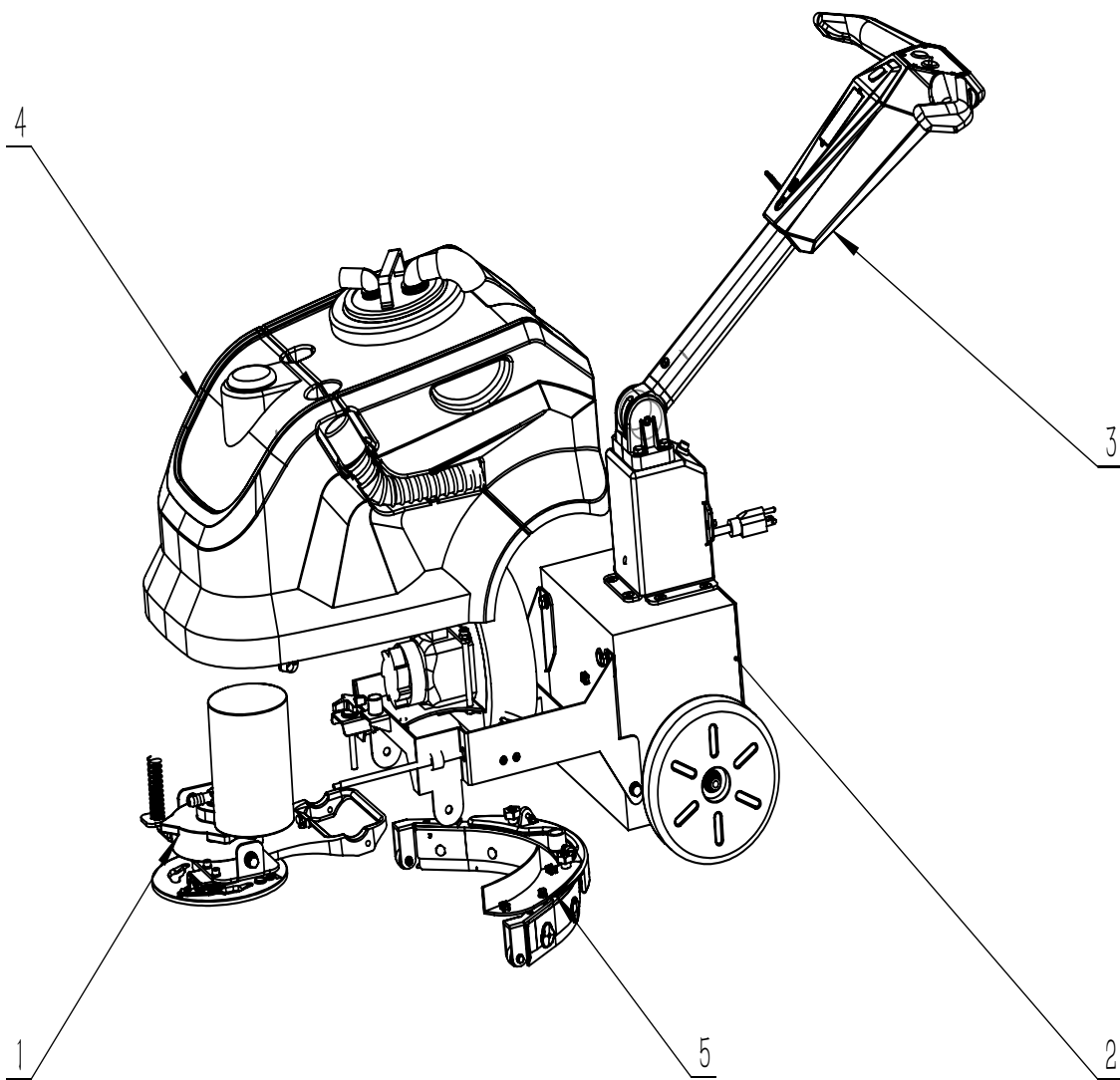


手推式洗地机 T15E AC110V

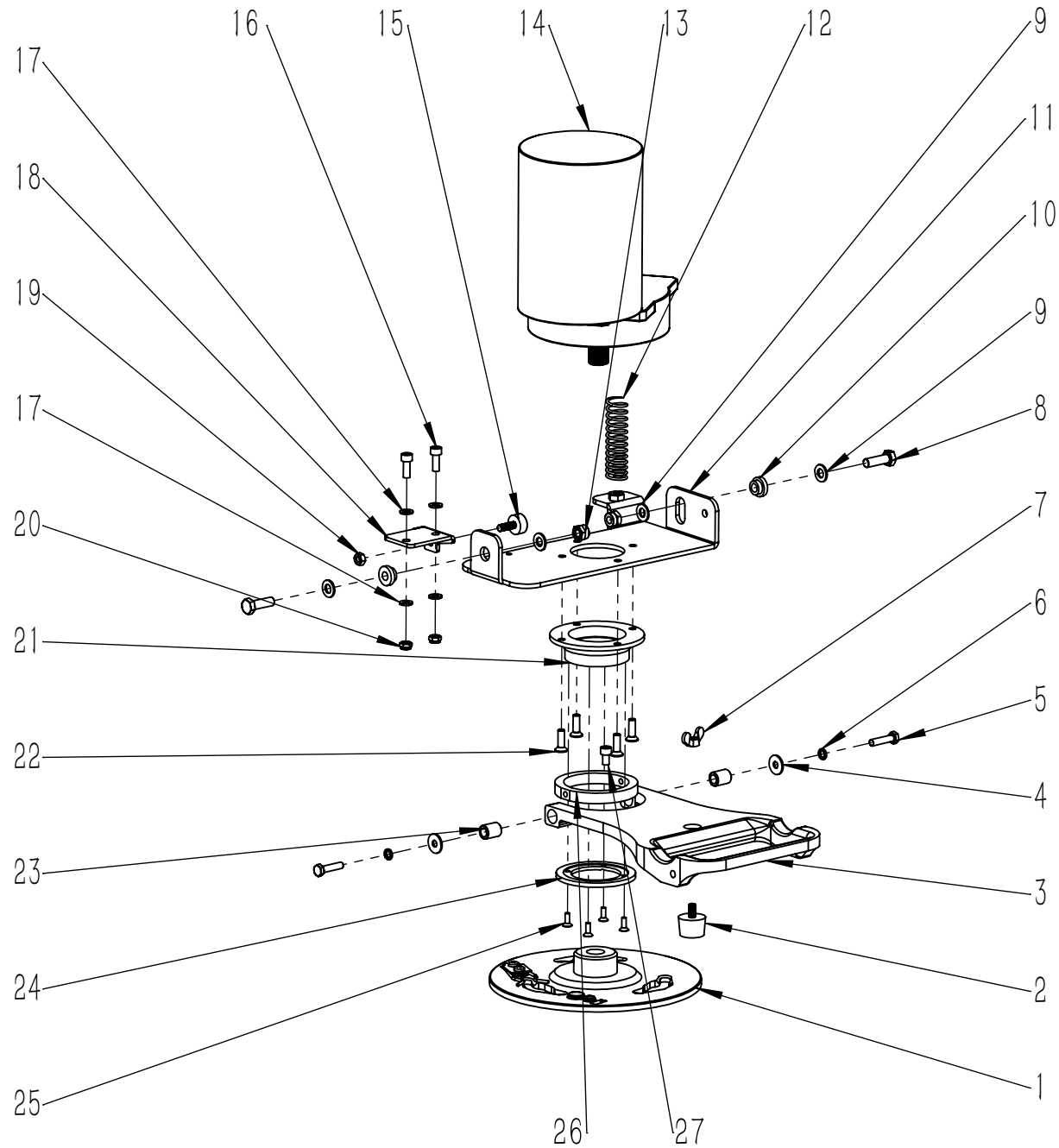
Scrubber Dryer T15E AC110V



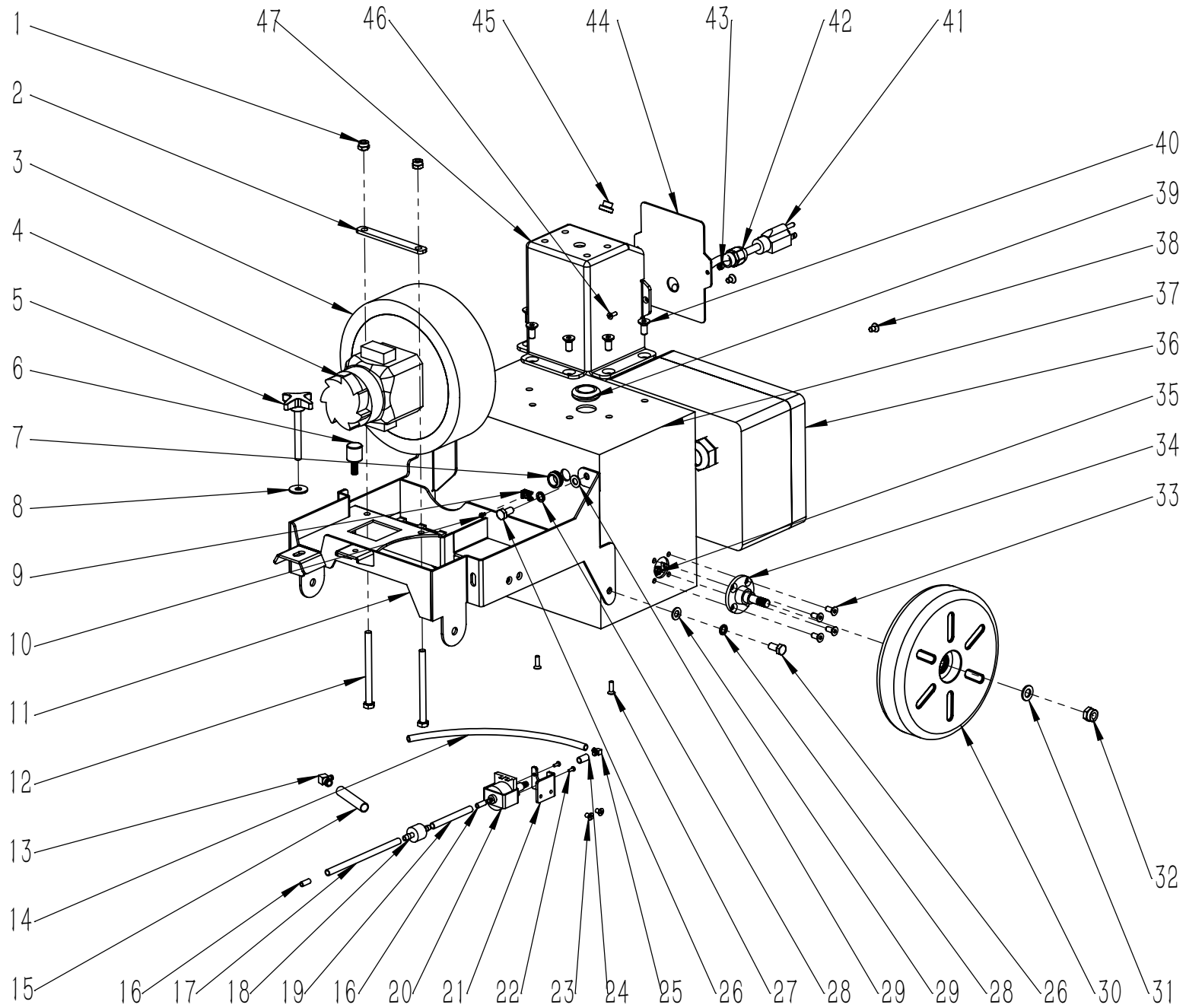
目 录



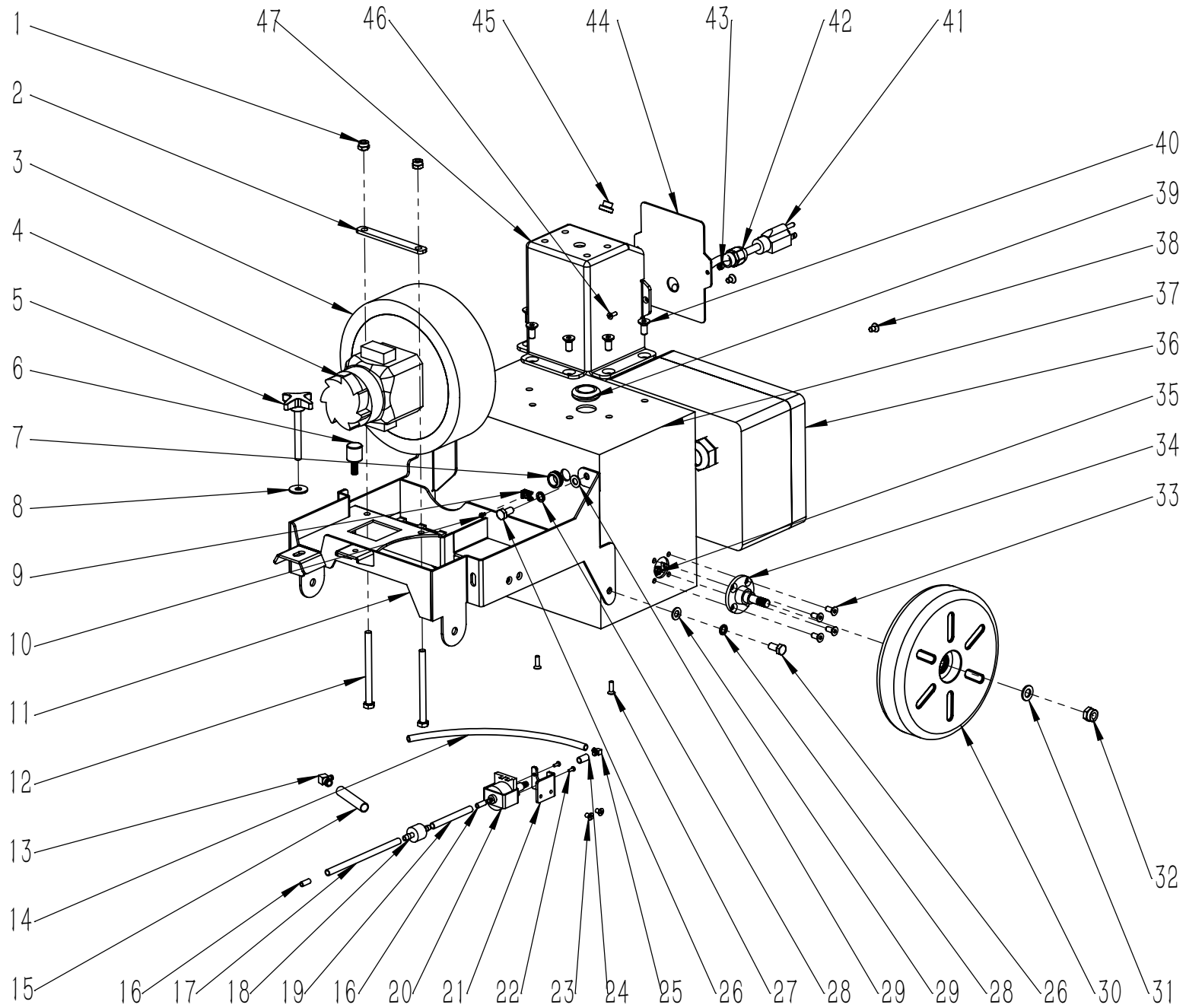
1. 机头组件·····1—2
NOSE ASSEMBLY
2. 底座架组件·····3—8
FRAME ASSEMBLY
3. 手柄盒组件·····9—12
HANDLE BOX ASSEMBLY
4. 水箱体组件 ·····13—14
WATER TANK ASSEMBLY
5. 扒头组件 ·····15—18
SQUEEGEE ASSEMBLY
6. 包装组件·····19
ACCESSORIES



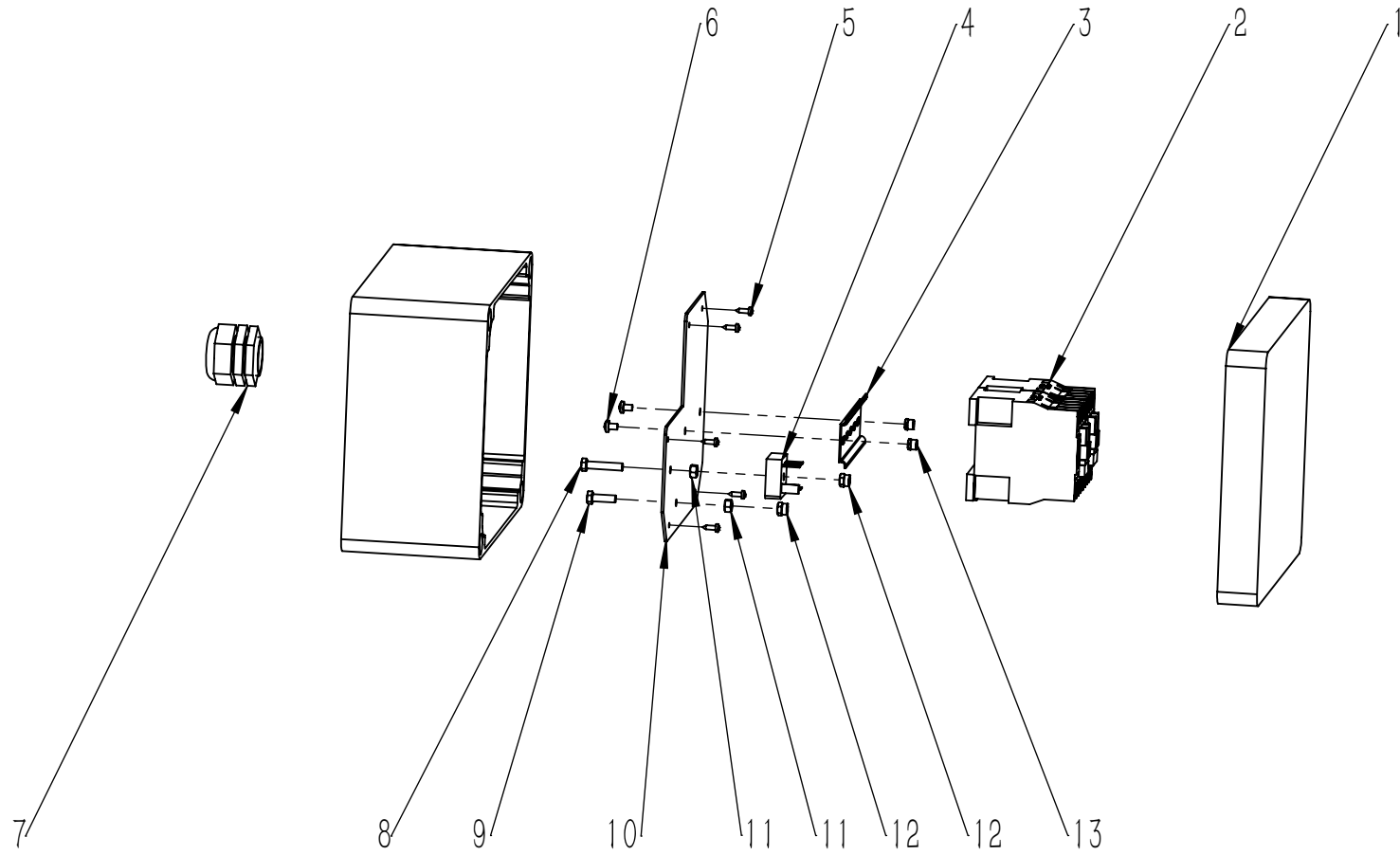
项目号 ITEM	零件号 P/N	数量 QTY	名称	DESCRIPTION
1	W020077	1	刷盘锁紧器组件-左	LOCKER ASSEMBLY-LEFT
2	C020222	1	橡胶减震垫 D25X17	RUBBER DAMPING PAD D25X17
3	D010031	1	扒头支架 T15	SUPPORT T15
4	N030008	2	平垫 6x18x1.6 镀锌	WASHER 6x18x1.6 ZINC
5	N010020	2	外六角 M6x25 镀锌	SCREW M6x25 ZINC
6	N040001	2	弹垫 6 镀锌	LOCK WASHER M6 ZINC
7	N020057	1	蝶形螺母-M6-不锈钢	WING NUT M6 A2
8	N010007	2	外六角 M8x25 镀锌	SCREW M8x25 ZINC
9	N030006	4	平垫 8x16x1.6 镀锌	WASHER 8x16x1.6 ZINC
10	B020038	2	机头安装铜套 T15	MACHINE HEAD MOUNTING MOUNTING COPPER
11	A030095	1	电机安装板 15	MOTOR MOUNTING PLATE T15
12	B070033	1	机头压簧 D2XD20X75	HEAD COMPRESSION SPRING D2XD20X75 T15
13	N020001	2	自锁螺母 M8 镀锌	LOCK NUT M8 ZINC
14	E040174	1	刷盘电机-110V-120W-T15E(交流转直流)	MOTOR-110V-120W-T15E
15	C020280	1	橡胶减震垫 D18xH8xM6	RUBBER DAMPING PAD D18xH8xM6
16	N010222	2	内六角圆柱头-M6x16-不锈钢	SCREW M6x16 A2
17	N030024	4	平垫-6x12x1.6-不锈钢	WASHER 6x12x1.6 A2
18	A040093	1	限位块 T15	LIMIT BLOCK T15
19	N020022	1	螺母-M6-镀锌	NUT M6 ZINC
20	N020006	2	自锁螺母-M6-不锈钢	LOCK NUT M6 A2
21	A050074	1	连接套 T15	CONNECTION SLEEVE T15
22	N010016	4	沉头内六角-M6x20-不锈钢	SCREW M6x20 A2
23	B020039	2	铜套-13x8.2x15-T15	BUSHING 13x8.2x15 T15
24	A040090	1	底部盖板 T15	BOTTOM COVER T15
25	N010047	4	沉头十字螺钉 M4x12 不锈钢	SCREW M4x12 A2
26	A050075	1	扒头支架安装套 T15	GRILLING HEAD BRACKET MOUNTING SLEEVE T15
27	N010264	1	圆头内六角 M6X10 滚花发黑	SCREW M6X10 KNURLED BLACK



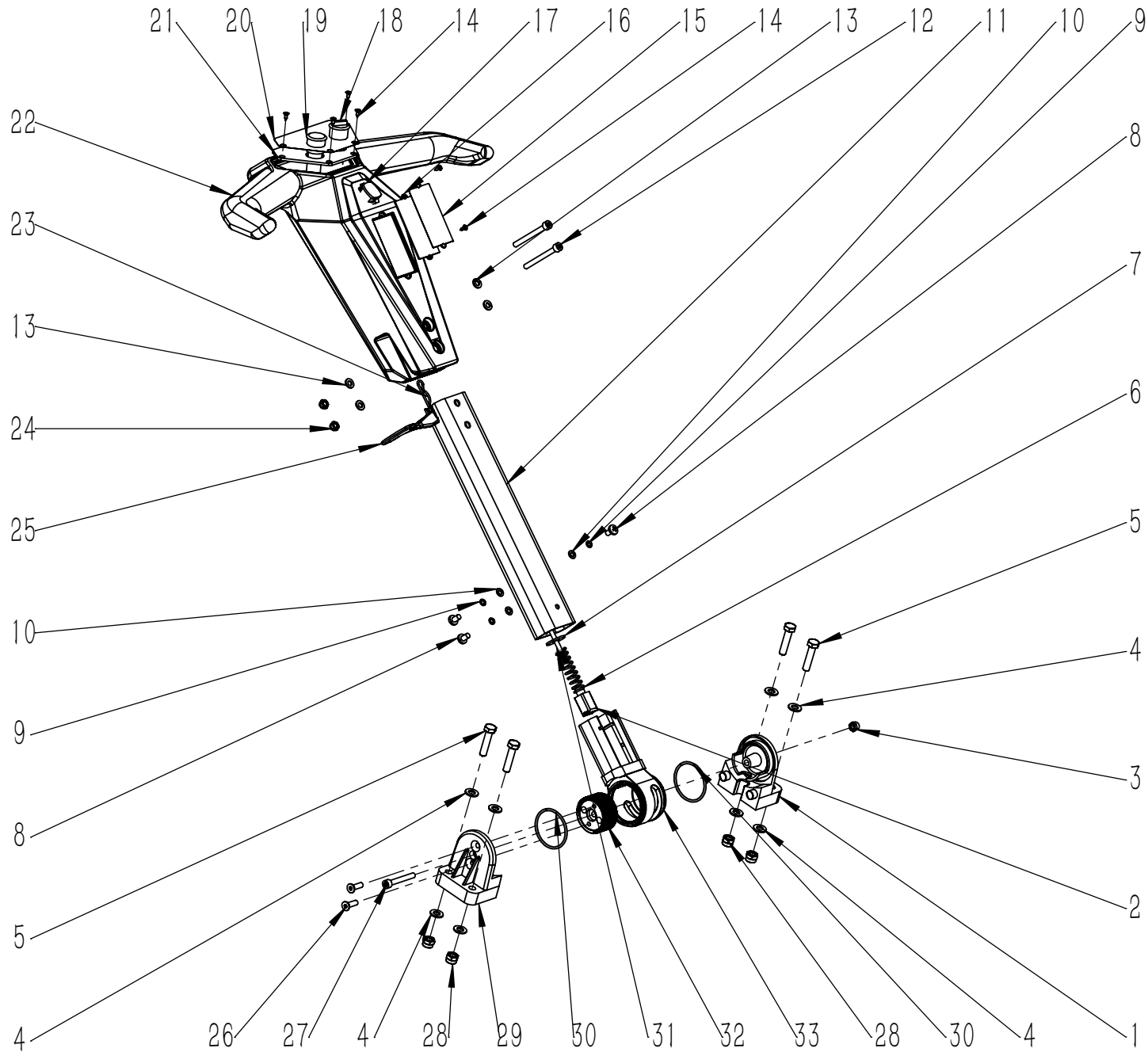
项目号 ITEM	零件号 P/N	数量 QTY	名称	DESCRIPTION
1	N020001	8	自锁螺母-M8-镀锌	LOCK NUT M8 ZINC
2	A020052	1	真空电机安装板 T15	SUCTION SUPPORT T15
3	C020263	1	电机消音棉 1 T15	MOTOR SILENCER COTTON 1 T15
4	E040178	1	真空电机-110V-400W-T15E	VACUUM MOTOR 110V 400W T15E
5	N100037	1	调节手柄 M8x70	ADJUSTER MEX70
6	C020251	1	前部水箱垫脚 T15	FRONT WATER TANK FEET T15
7	E080121	1	线圈护套-14x2.5-T15	COIL SHEATH 14x2.5 T15
8	N030028	1	平垫-8x24x2-不锈钢	WASHER 8x24x2 A2
9	N090073	1	14.6x10 小线扣 T15	14.6x10 SMALL WIRE BUCKLE T15
10	N010245	1	内六角圆柱头-M3x5-发黑	SCREW M3x5 BLACK
11	A030096	1	底座架 T15	BASE FRAM T15
12	N010258	2	外六角-M8x100-镀锌	SCREW M8x100 A2
13	F020039	1	变径宝塔接头-10-6-T15	REDUCER PAGODA CONNECTOR-10-6-T15
14	F050084	1	硅胶水管 D=8 d=6 L=250	SILICONE HOSE D=8-d=6-L=250
15	F050065	1	硅胶水管 D=14 d=10 L=50 T15	SILICONE HOSE D=14 d=10 L=50 T15
16	F050069	2	PE 管 D=6 d=4 L=25 T15	PE PIPE D=6 d= 4 L=25 T15
17	F050083	1	硅胶水管 D=8 d=6 L=140	SILICONE HOSE D=8-d=6-L=140
18	F030072	1	过滤器 T15	FILTER T15
19	F050082	1	硅胶水管 D=8-d=6-L=75	SILICONE HOSE D=8-d=6-L=75
20	E010006	1	电磁泵-120V-60HZ-18W	ELECTROMAGNETIC PUMP-120V-60HZ-18W
21	A050077	1	电磁泵支架 T15	ELECTROMAGNETIC PUMP BRACKET T15
22	N010257	2	十字盘头-M3x8-不锈钢	SCREW M3x8 A2
23	N010296	2	沉头十字 M5x8 镀锌	SCREW M5x8 ZINE
24	F050068	1	硅胶水管 D=8 d=6 L=30 T15	SILICONE HOSE D=8 d=6 L=30 T15
25	F020040	1	变径宝塔接头-6-6-T15	REDUCER PAGODA CONNECTOR-6-6-T15
26	N010121	4	外六角-M8x16-镀锌	SCREW M8x16 ZINC
27	N010230	2	沉头十字-M5x16-镀黑锌	SCREW M5x16 BLACK ZINC PLATING
28	N040013	4	弹垫-M8-镀锌	LOCK WASHER M8 ZINC



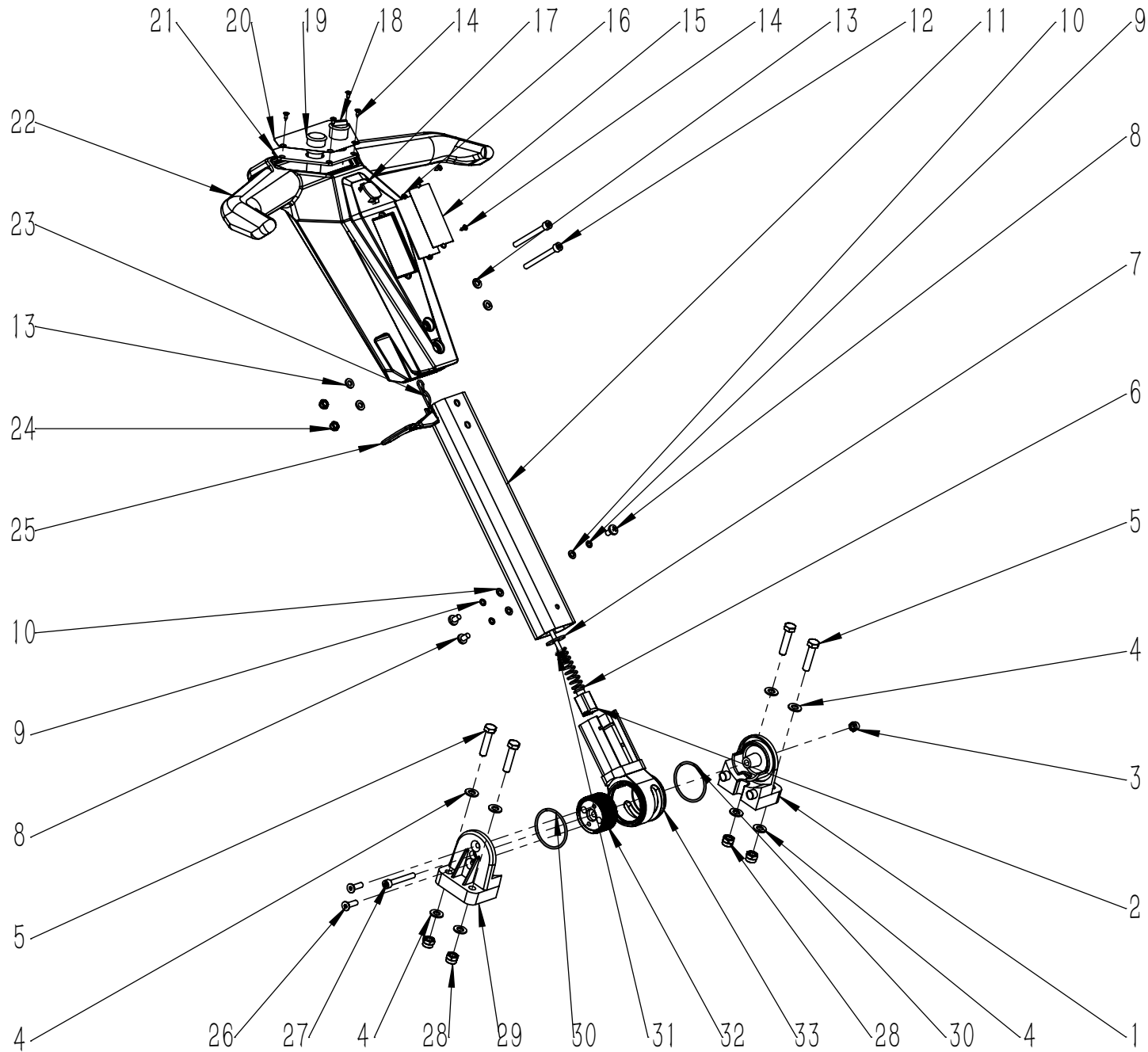
项目号 ITEM	零件号 P/N	数量 QTY	名称	DESCRIPTION
29	N030006	4	平垫-8x16x1.6-镀锌	WASHER 8x16x1.6 ZINC
30	C020221	2	无驱轮-200X50-T15	DRIVELESS WHEEL 200x50 T15
31	N030004	2	平垫-10x20x2-镀锌	WAHSE 10x20x2 ZINC
32	N020002	2	自锁螺母-M10-镀锌	LOCK NUT M10 ZINC
33	N010236	8	沉头内六角-M6X14-不锈钢	SCREW M6X14 A2
34	A020051	2	定向后轮安装支架 T15	MOUNTING BRACKET FOR DIRECTIONAL REAR
35	N020006	8	自锁螺母-M6-不锈钢	LOCK NUT M6 A2
36	W020132	1	电器盒组件 T15E	ELECTRICAL BOX ASSEMBLY T15E
37	A030099	1	电控盒 T15E	ELECTRIC CONTROL BOX T15E
38	N010255	2	沉头内六角-M6x10-发黑	SCREW M6x10 BLACK
39	E080118	1	线圈护套-22x3-T15	COIL SHEATH 22x3 T15
40	N010019	6	沉头内六角-M8x18-镀锌	SCREW M8x18 ZINC
41	E080131	1	外接电源线 T15E	EXTERNAL POWER CORD T15E
42	N090083	1	防水接头-M18x1.5-黑色	WATERPROOF CONNECTOR M18x1.5 BLACK
43	N020068	2	自锁螺母-M4-不锈钢发黑	LOCK NUT M4 A2 BLACK
44	A020056	1	后封板 T15E	REAR COVER T15E
45	E020070	1	复位开关 3A	RESET SWITCH 3A
46	N010299	2	沉头十字螺钉-M4X12-不锈钢发黑	SCREW-M4x12-A2 BLACK
47	A010193	1	齿轮安装座 T15E	GEAR MOUNT T15E



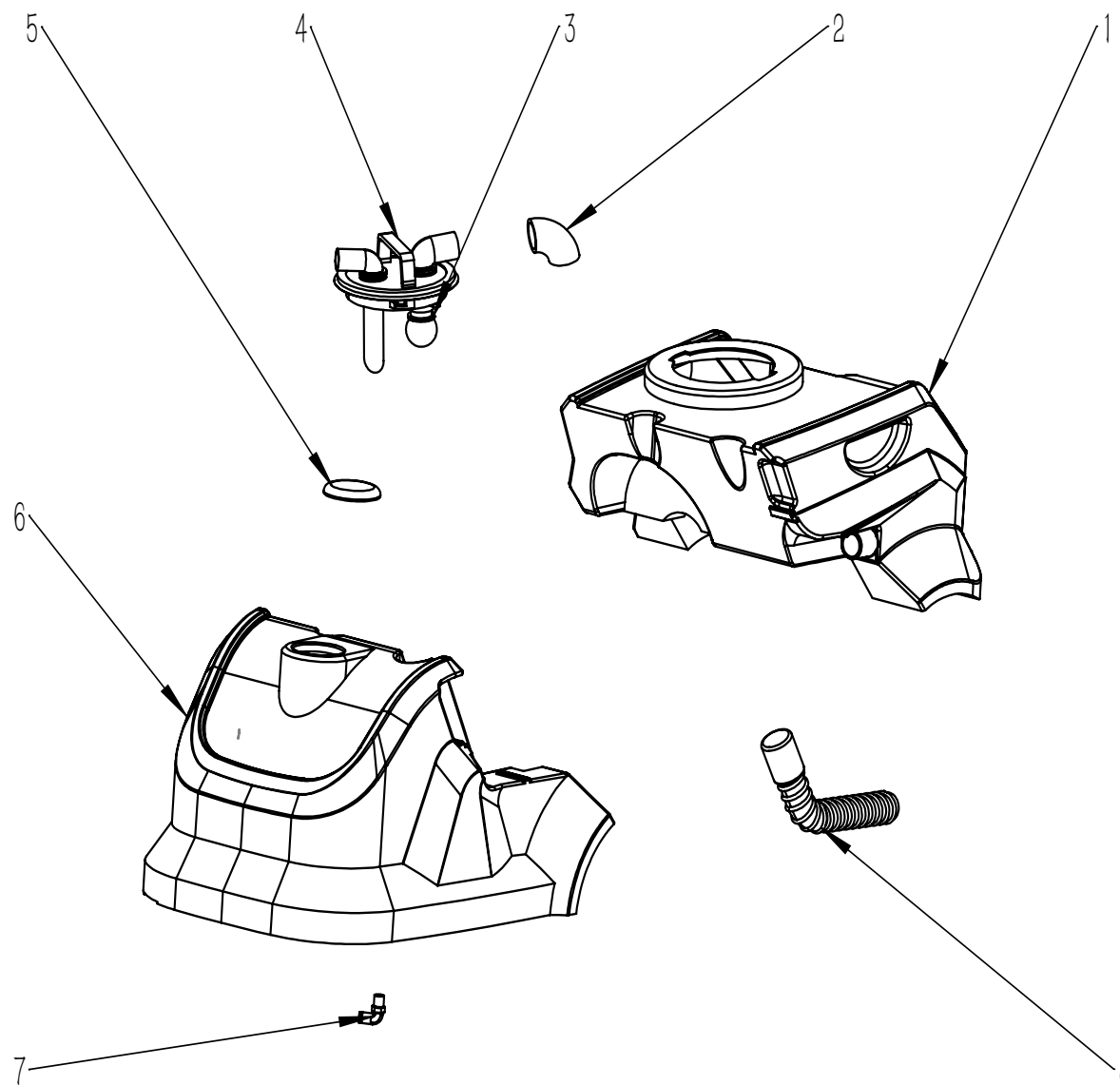
项目号 ITEM	零件号 P/N	数量 QTY	名称	DESCRIPTION
1	N090082	1	电器盒-238x180x125-T15E	ELECTRICAL BOX 238x180x125 T15E
2	E030004	2	交流接触器-110V-20A	A.C. CONTACTOR 110V 20A
3	E080055	1	电气导轨	ELECTRICAL RAIL
4	E030044	1	整流桥 BR6006	RECTIFYING BRIDGE BR6006
5	N010297	5	十字盘头自攻螺钉-ST2.9x9.5-不锈钢	SELF TAPPING SCREW ST2.9x9.5 A2
6	N010113	2	圆头十字-M4x6-不锈钢	SCREW M4x6 A2
7	N090013	1	防水夹紧接头-PG25-M30	CONNECTOR WATERPROOF PG25 M30
8	N010009	1	外六角-M5x25-镀锌	SCREW M5x25 ZINC
9	N010025	1	外六角-M5x16-镀锌	SCREW M5x16 ZINC
10	A030100	1	安装板 T15E	MOUNTING PLATE T15E
11	N020014	2	螺母-M5-镀锌	NUT M5 ZINC
12	N020016	2	自锁螺母-M5-镀锌	LOCK NUT M5 ZINC
13	N020025	2	自锁螺母-M4-镀锌	LOCK NUT M4 ZINC



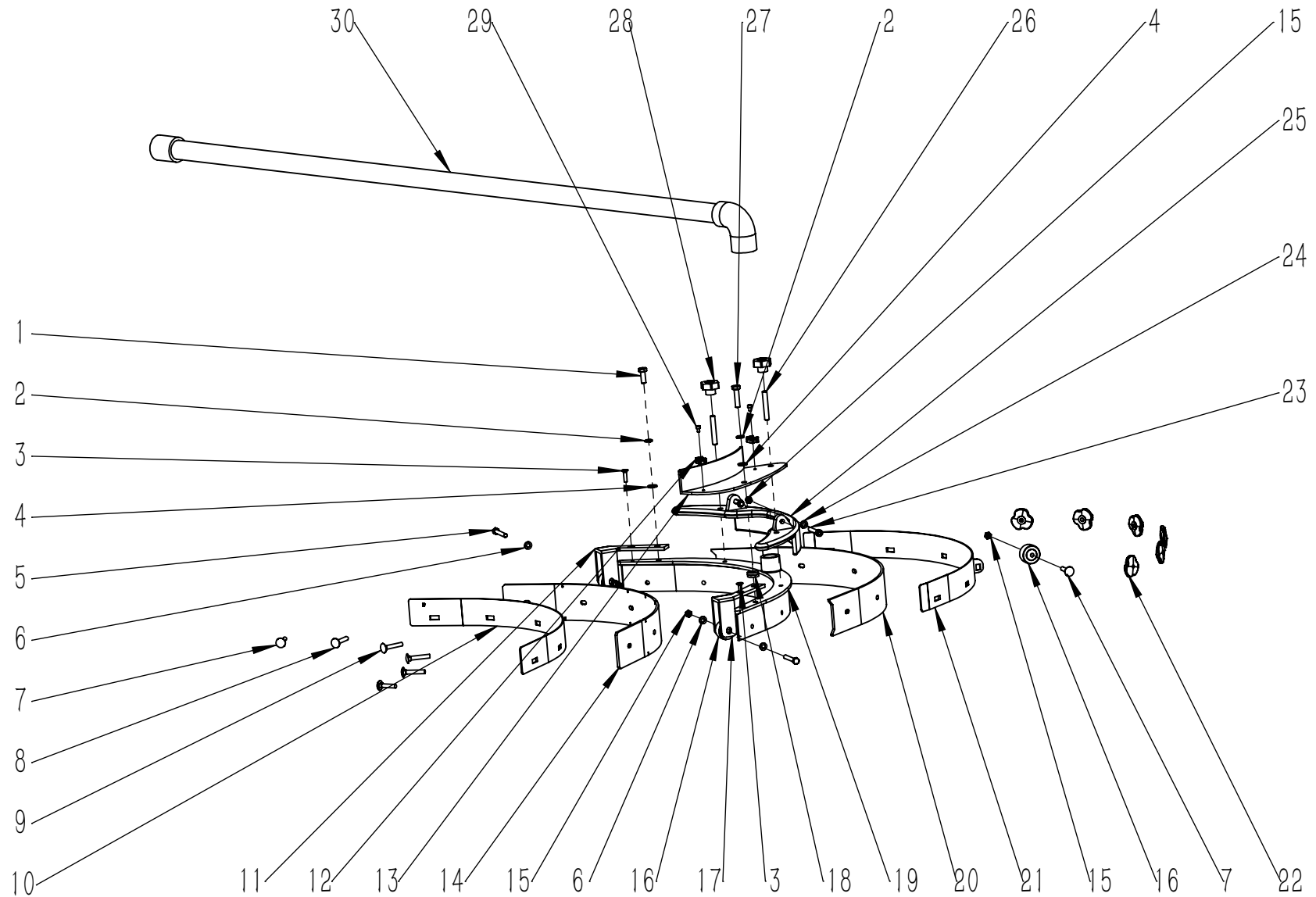
项目号 ITEM	零件号 P/N	数量 QTY	名称	DESCRIPTION
1	D010034	1	齿轮下安装座-左-T15	GEAR LOWER MOUNT LEFT T15
2	B060163	1	限位小齿轮 T15	LIMIT PINION T15
3	N020012	1	自锁螺母-M6-镀锌	LOCK NUT M6 ZINC
4	N030006	8	平垫-8x16x1.6-镀锌	WASHER 8x16x1.6 ZINC
5	N010008	4	外六角-M8x35-镀锌	SCREW M8x35 ZINC
6	B070034	1	压簧-D2xD15xD56-T15	SPRING D2xD15xD56 T15
7	N030027	1	平垫-8x24x2-镀锌	WASHER 8x24x2 ZINC
8	N010086	3	圆头十字-M5x10-不锈钢	SCREW M5x10 A2
9	N040023	3	弹垫-M5-不锈钢	LOCK WASHER M5
10	N030016	3	平垫-5x10x1-不锈钢	WASHER 5x10x1
11	B060160	1	推杆 T15	PUTTER T15
12	N010262	2	内六角圆柱头-M6x60-不锈钢	SCREW M6x60 A2
13	N030024	4	平垫-6x12x1.6-不锈钢	WASHER 6x12x1.6 A2
14	N010239	6	沉头十字自攻-ST2.9x10- 发黑	SCREW ST2.9X10 BLACK
15	C040317	1	电量显示盖板标签 T15E 绿色	ELECTRICITY DISPLAY COVER LABEL T15E GREEN
16	E040180	1	电量显示盖板 T15E	POWER DISPLAY COVER T15E
17	E020066	1	电源开关 T15	POWER SWITCH T15
18	E020069	1	三档开关双常开 110V 绿灯 D22 T15E	THREE SPEED SWITCH 110V D22 T15E
19	E020037	1	按键自锁开关-双常开-110V-绿灯	SELF-LOCKING SWITCH GREEN 110V
20	C040309	1	操作面板标签绿 T15E	CONTROL PANEL LABEL GREEN T15E
21	E040179	1	操作面板 T15E	OPERATION PANEL T15E
22	C010105	1	手柄盒-T15B-绿色	HANDLE BAR T15B GREEN
23	N100035	1	R 型弹簧插销 D2x40	BOLT TYPE R
24	N020006	2	自锁螺母-M6-不锈钢	LOCK NUT M6 A2
25	D010038	1	角度调节拨块 T15	ANGLE ADJUSTMENT DIAL T15
26	N010016	2	沉头内六角-M6x20-不锈钢	SCREW M6x20 A2
27	N010238	1	内六角圆柱头-M6x45-镀锌	SCREW M6X45 ZINC
28	N020001	4	自锁螺母-M8-镀锌	LOCK NUT M8 ZINC



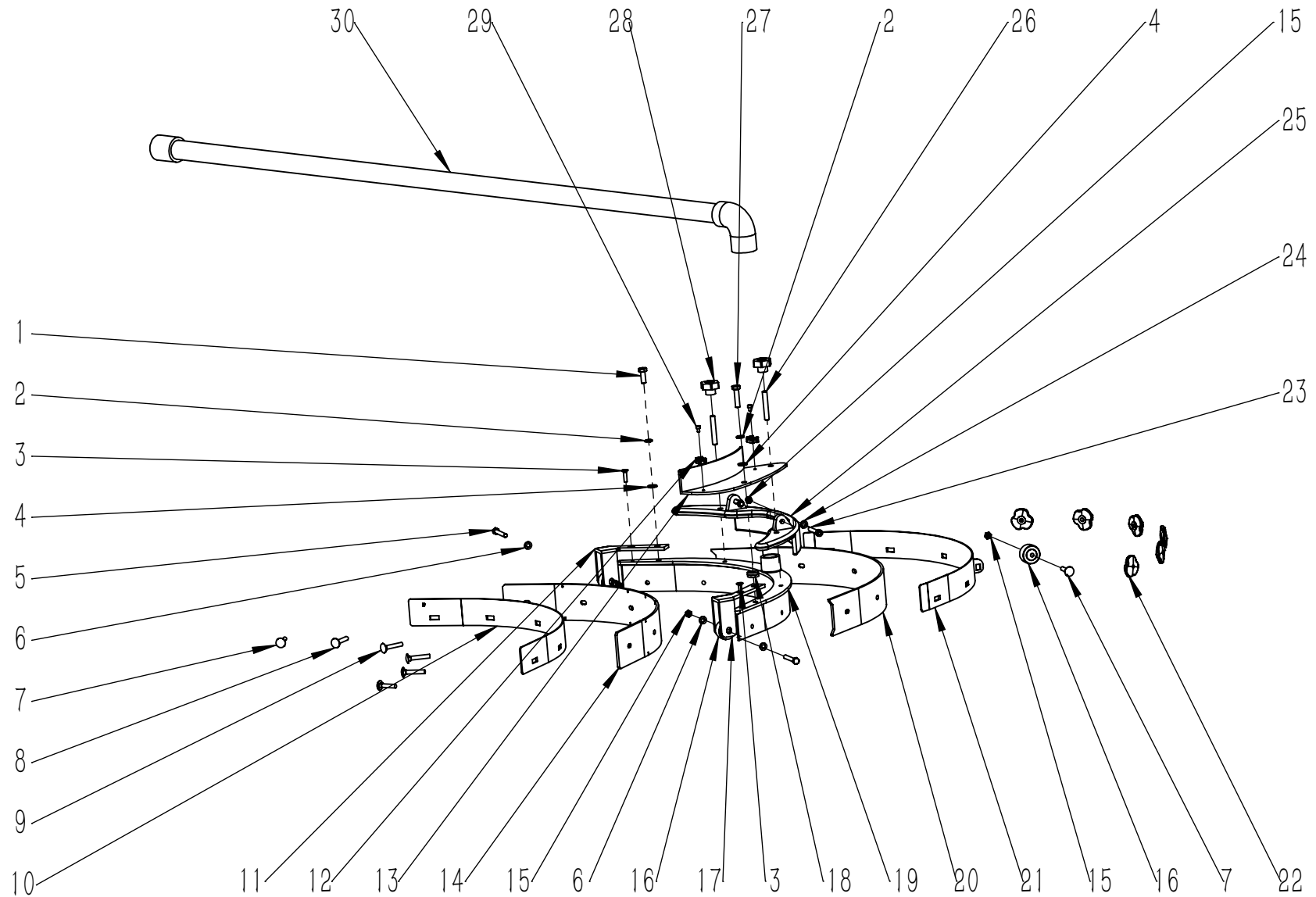
项目号 ITEM	零件号 P/N	数量 QTY	名称	DESCRIPTION
29	D010033	1	齿轮下安装座-右-T15	GEAR LOWER MOUNT RIGHT T15
30	N090074	2	O 型密封圈 D51(外径)XD2.65(线径)	O RING D51XD2.65
31	B060162	1	角度调节拉杆 T15	ANGLE ADJUSTMENT LEVER T15
32	B060164	1	角度调节齿轮 T15	ANGLE ADJUSTMENT GESR T15
33	D010032	1	齿轮上安装座 T15	GEAR MOUNT T15
34	W020131	1	线束 T15E	WIRE HARNESS T15E



项目号 ITEM	零件号 P/N	数量 QTY	名称	DESCRIPTION
1	C010102	1	污水箱-T15	RECOVERY TANK T15
2	F060024	1	吸风管 T15	SUCTION PIPE T15
3	C030074	1	橡胶密封垫 D33xD26x3.5x10	RUBBER GASKET D33xD26x3.5x10
4	C020218	1	吸水口主体 T15	SUCTION BODY T15
5	C020048	1	清水箱注水口盖子 D76	THREADED COVER Φ76
6	C010101	1	清水箱-T15	SOLUTION TANK T15
7	F020038	1	快速接头弯头 1/4 T15	QUICK CONNECTOR ELBOW 1/4 T15
8	F060023	1	排污管 T15	DRAINAGE PIPE T15



项目号 ITEM	零件号 P/N	数量 QTY	名称	DESCRIPTION
1	N010182	1	外六角-M6x16-不锈钢	SCREW M6x16 A2
2	N040011	2	弹垫 6 不锈钢	LOCK WASHER M6 A2
3	N010153	2	沉头十字螺钉 M4x16 不锈钢	SCREW M4x16 A2
4	N030024	2	平垫 6x12x1.6 不锈钢	WASHER 6x12x1.6 A2
5	N010229	2	外六角 M5x35 不锈钢	SCREW M5x35 A2
6	N030016	4	平垫 5x10x1 不锈钢	WASHER 5x10x1
7	N010218	3	圆头方颈螺栓 M5X25 不锈钢	SCREW M5x25 A2
8	N010217	2	圆头方颈螺栓 M5X30 不锈钢	SCREW M5x30 A2
9	N010219	2	圆头方颈螺栓 M5X3 不锈钢	SCREW M5x35 A2
10	A010191	1	扒头前固定板 T15	FRONT FIXING PLATE T15
11	D010039	1	扒头主体改右 T15	SQUEEGEE BODY CHANGED RIGHT T15
12	N090073	2	14.6x10 小线扣 T15	14.6x10 SMALL WIRE BUCKLE T15
13	D010037	1	吸污管固定板 T15	SEWAGE PIPE FIXING PLATE T15
14	C030064	1	扒头前胶条 T15	FRONT SQUEEGE BLADE RUBBER T15
15	N020037	5	自锁螺母 M5 不锈钢	LOCK NUT M5 A2
16	C020223	3	扒头定向脚轮	GRILLED DIRECTIONAL CASTERS T15
17	D010036	1	扒头主体改-左 T15	SQUEEGEE BODY CHANGED LEFT T15
18	D010035	1	扒头主体 T15	SQUEEGEE BODY T15
19	N030061	2	平垫-15x6.5x3-不锈钢	WASHER 15x6.5x3 A2
20	C030065	1	扒头后胶条 T15	REAR SQUEEGE BLADE RUBBER T15
21	A010192	1	扒头后固定板 T15	REAR FIXING PLATE T15
22	N020064	6	花型螺母 M5	NUT M5
23	N010246	2	内六角圆柱头 M5X30 不锈钢	SCREW M5x30 A2
24	N030031	2	平垫 5X10X1 镀锌	WASHER 5x10x1 ZINC
25	B060161	1	扒头配重块 T15	GRILLED WEIGHT T15
26	N010015	2	内六角平端紧定螺钉 M6x40 不锈钢	SCREW M6x40 A2
27	N010106	1	外六角-M6x25-不锈钢	SCREW M6x25 A2
28	N020007	2	滚花高螺母 M6	NUT M6





项目号 ITEM	零件号 P/N	数量 QTY	名称	DESCRIPTION
29	N010245	2	内六角圆柱头 M3X5 发黑	SCREW M3x5 BLACK
30	F060022	1	吸污管 T15	SUCTION HOSE T15

项目号 ITEM	零件号 P/N	数量 QTY	名称	DESCRIPTION
1	C040292	1	前标 T15	FRONT LABEL T15
2	C040293	1	左侧标签 T15	DECAL LEFT T15
3	C040294	1	右侧标签 T15	DECAL RIGHT T15
4	P010004	1	保修卡	WARRANTY CARD
5	P010012	1	测试报告	TEST REPORT
6	M010098	1	刷盘保护膜 T15	BRUSH GUARD FOAM
7	M010100	1	真空棉-410X245X20-T15	VACUUM COTTON 410X245X20 T15
8	M010102	1	纸箱-T15	CARTON BOX T15
9	C040306	1	转运警示标贴英文 T15	TRANSIT WARNING LABEL ENGLISH T15
10	M010101	1	纸箱上盖 T15	CARTON BOX COVER T15
11	M010014	1	说明书自封袋 340x240mm	PLASTIC PACKAGE BAG 340x240mm
12	M020036	4	木条-40X40X640-T15	BATTEN 40x40x640 T15
13	M020007	12	支撑护角 50x50x100	ANGLE BEAD 50x50x100
14	HC10005	50	P 钉	P NAIL
15	HC10015	2	尼龙编织带长 545x35mm	NYLON BRAIDED TAPE LONG 545x35
16	HC10017	8	封箱钉 35mmx18mm	SEALING BOX NAIL 35mmx18mm
17	M010015	1	塑料包装袋 1400x700x1000	PLASTIC PACKAGE BAG 1400x700x1000
18	M020037	1	木托盘 T15	WOOD PALLET T15
19	M020008	4	三角挡块 50x50x100	TRIANGLE BLOCK 50x50x100
20	M020024	2	三角挡块 50x50x70	TRIANGLE BLOCK 50x50x70
21	N010130	1	内六角圆柱头-M8x60-不锈钢	SCREW M8x60 A2
22	N010159	4	沉头十字自攻螺丝-ST4x25-发黑	SELF TAPPING SCREW ST4x25 BLACK
23	N010160	10	沉头十字自攻螺丝-ST4x40-发黑	SELF TAPPING SCREW ST4x40 BLACK
24	N030022	4	平垫-6x18x1.6-不锈钢	WASHER 6x18x1.6 A2
25	N100056	1	内六角扳手 4MM	HEXAGONAL WRENCH 4MM