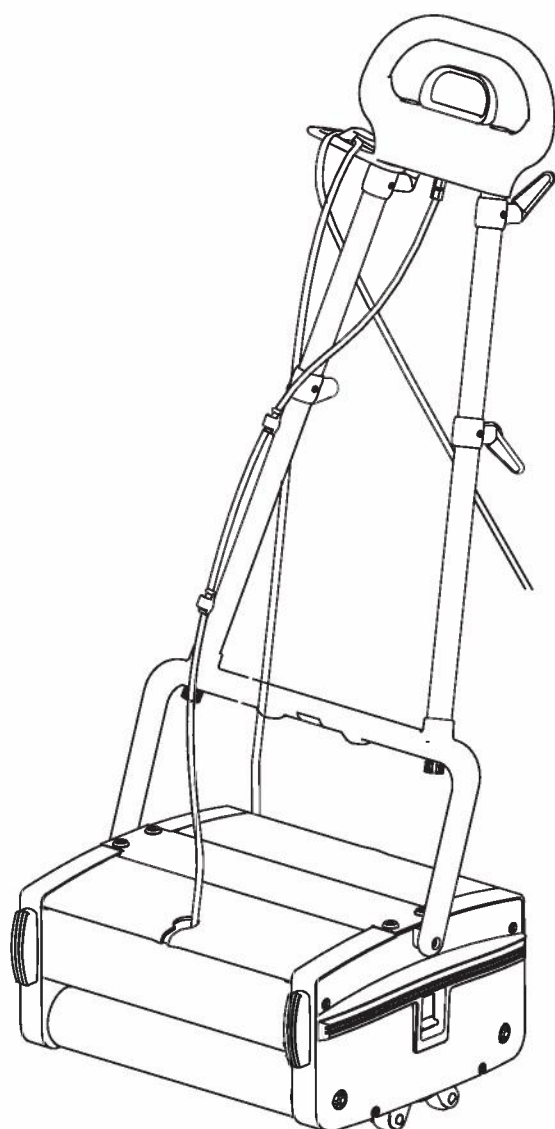


Spare parts list

Machine serial number starting from
002700 P 08

MW240
Series C



NOTES

Spare parts orders should be sent to your designated Truvox agent or contact Truvox direct using the details at the bottom of this page.

All information, illustrations and specifications contained in this manual are based on the latest production information available at the time of publication. The right is reserved to make changes on all information at any time without notice.

Repairs and servicing should only be completed by a Truvox International authorised and approved organisation, where only original Truvox supplied components will be fitted. Failure to comply with this will invalidate the warrantee.

When ordering spare parts please state the following:

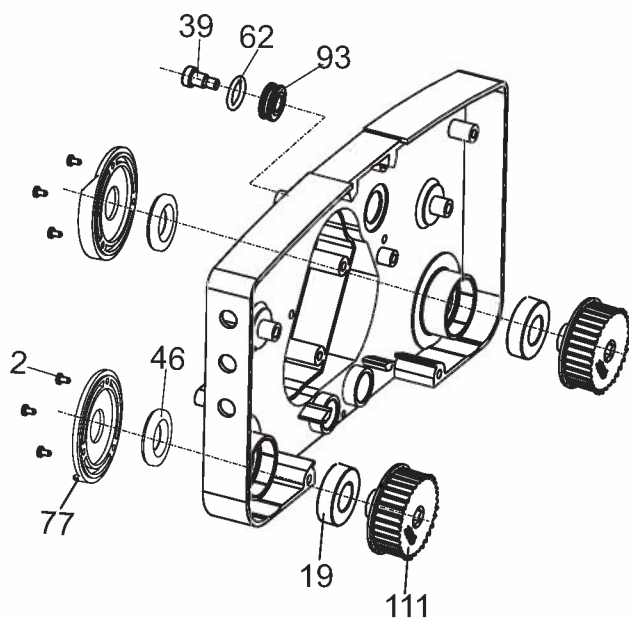
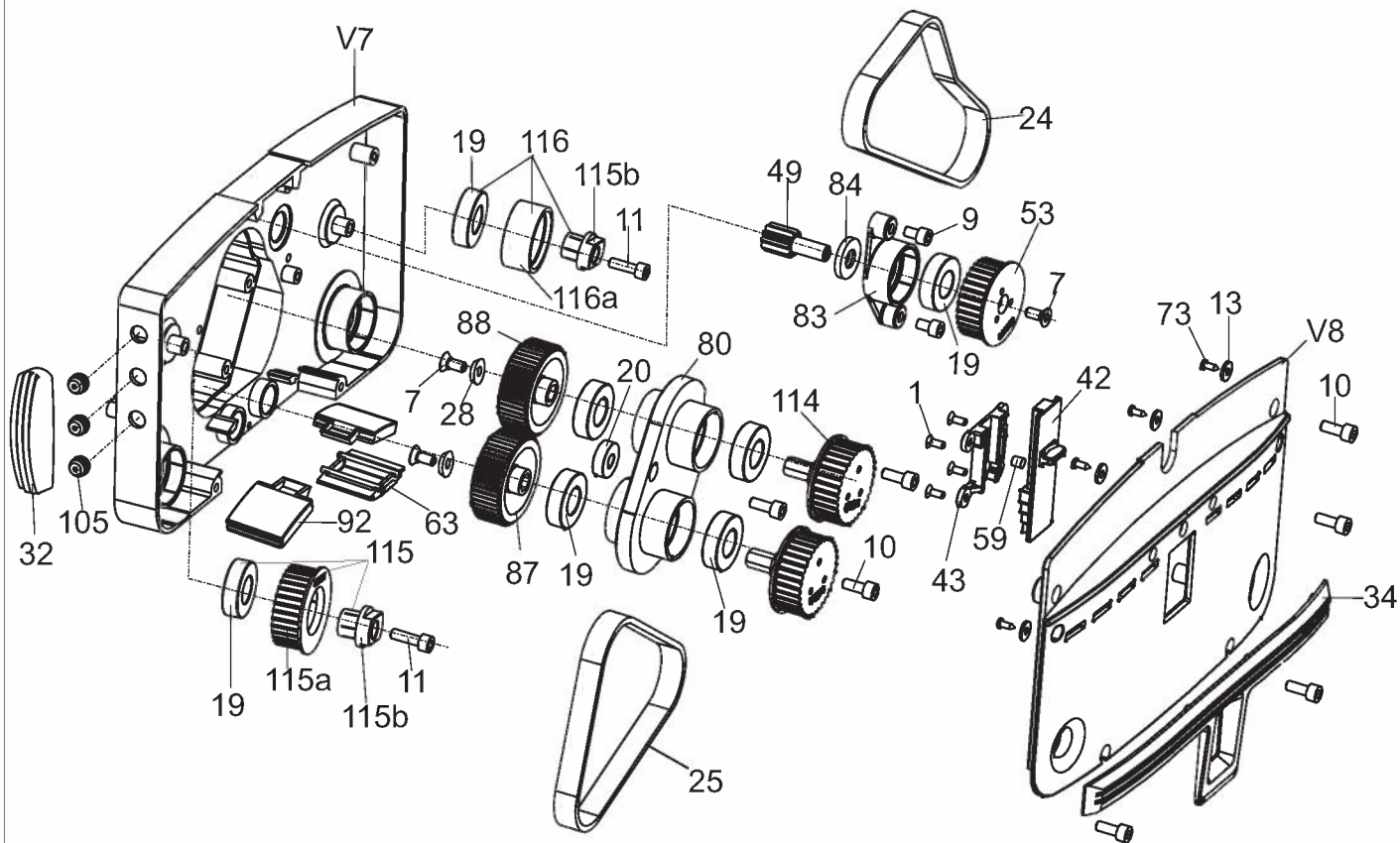
- a) Type and Serial number of the machine.
- b) Complete description and part number (as given in this booklet) of the required spare part and quantity required



Truvox International Limited,
Third Avenue, Millbrook, Southampton,
Hampshire SO15 0LE England
Tel: +44 (0) 23 8070 2200 Fax: +44 (0) 23 8070 5001
e-mail: truvox@truvox.com <http://www.truvox.com>

CONTENTS

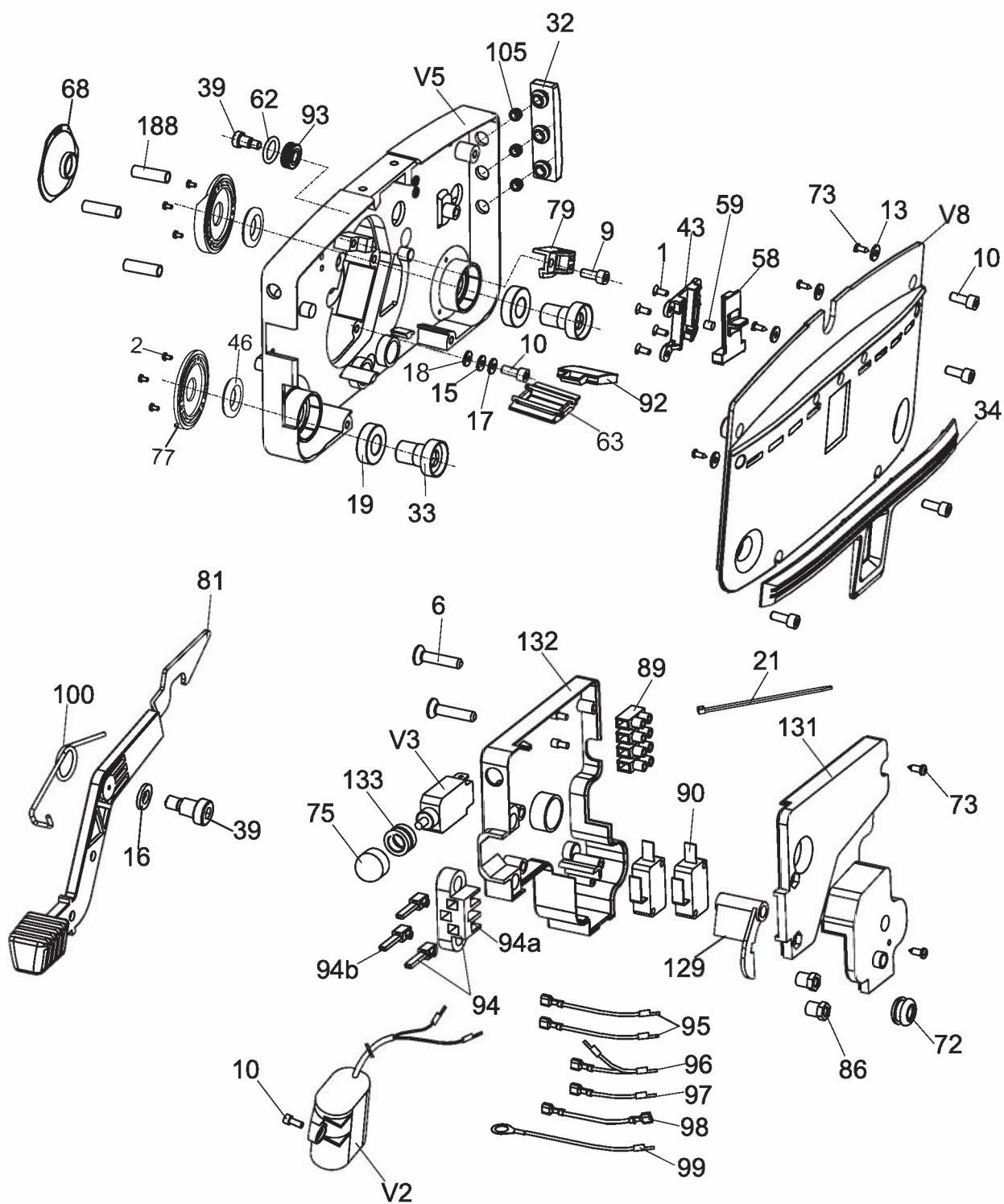
Housing-Drive Side	5
Housing-Idle Side	7 & 9
Tank Assembly	11
Lever and Guide Link Mechanism	13
Handle Assembly	15
Motor, Drum and Bridge Assembly	17
Accessories	19



Housing-Drive Side

5

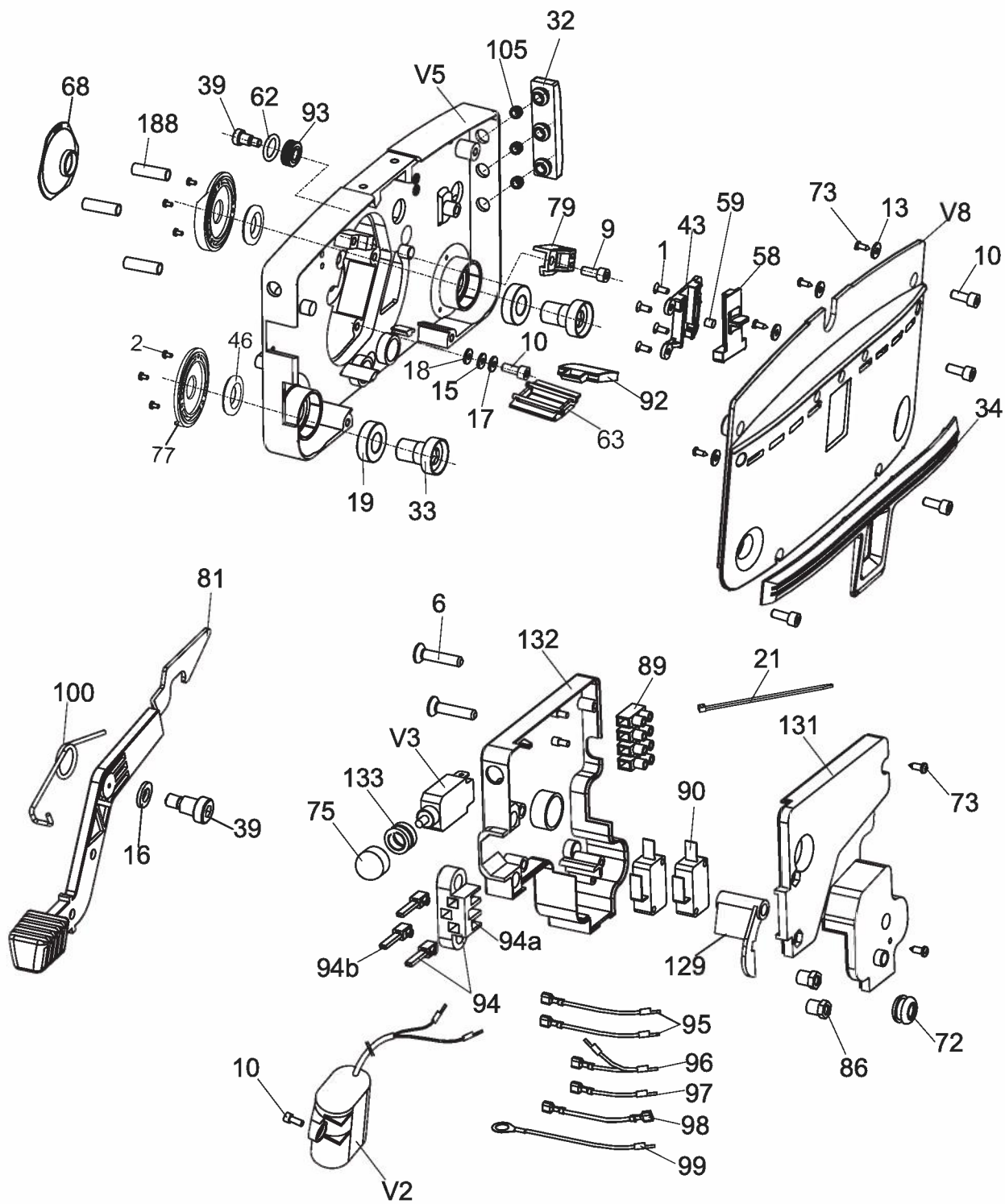
Ref. No	Part No	Description	Size	Qty
1	90-0258-0000	CSK SCREW	M4x10	4
2	90-0001-0000	CRPH SCREW	M3x6	6
7	90-0143-0000	CSK SCREW	M6x14	3
9	90-0293-0000	ALLEN SCREW	M6x10	2
10	90-0144-0000	ALLEN SCREW	M6x16	7
11	90-0005-0000	ALLEN SCREW	M6x20	2
13	90-0007-0000	WASHER	4.2x12x1.6	4
19	90-0009-0000	BEARING	6003 2RS	9
20	90-0121-0000	BEARING	608 2Z	1
24	90-0011-0000	BELT	500 5 M	1
25	90-0012-0000	BELT	425 5 M	1
28	90-0152-0000	WASHER		2
32	90-0154-0000	BUMPER		1
34	90-0156-0000	BUMPER		1
39	90-0123-0000	STUB AXLE		1
42	90-0024-0000	BRUSH SLIDER		1
43	90-0025-0000	SLIDER HOUSING		1
46	90-0027-0000	SEAL		2
49	90-0029-0000	PINION		1
53	90-0031-0000	DRUM SPROCKET		1
59	90-0035-0000	PIN		1
62	90-0176-0000	O' RING		1
63	90-0040-0000	SHIELD		1
73	90-0183-0000	SELF TAPPING SCREW		4
77	90-0020-0000	CAP		2
80	90-0285-0000	GEAR HOUSING		1
83	90-0268-0000	HOUSING SPROCKET		1
84	90-0264-0000	SEAL		1
87	90-0286-0000	GEAR – LH		1
88	90-0287-0000	GEAR - RH		1
92	90-0267-0000	SHIELD		2
93	90-0294-0000	ROLLER		1
105	90-0390-0000	BUMPER SLEEVE		3
111	90-0061-0000	BRUSH SPROCKET		2
114	90-0063-0000	GEAR SPROCKET		2
115	90-0065-0000	IDLER ASSY		1
115a	90-0169-0000	SPROCKET		1
115b	90-0161-0000	HUB		2
116	90-0197-0000	IDLER ASSY		1
116a	90-0166-0000	SLEEVE		1
V7,V8		Variant's Refer Page No. 19		



Housing-Idle Side

7

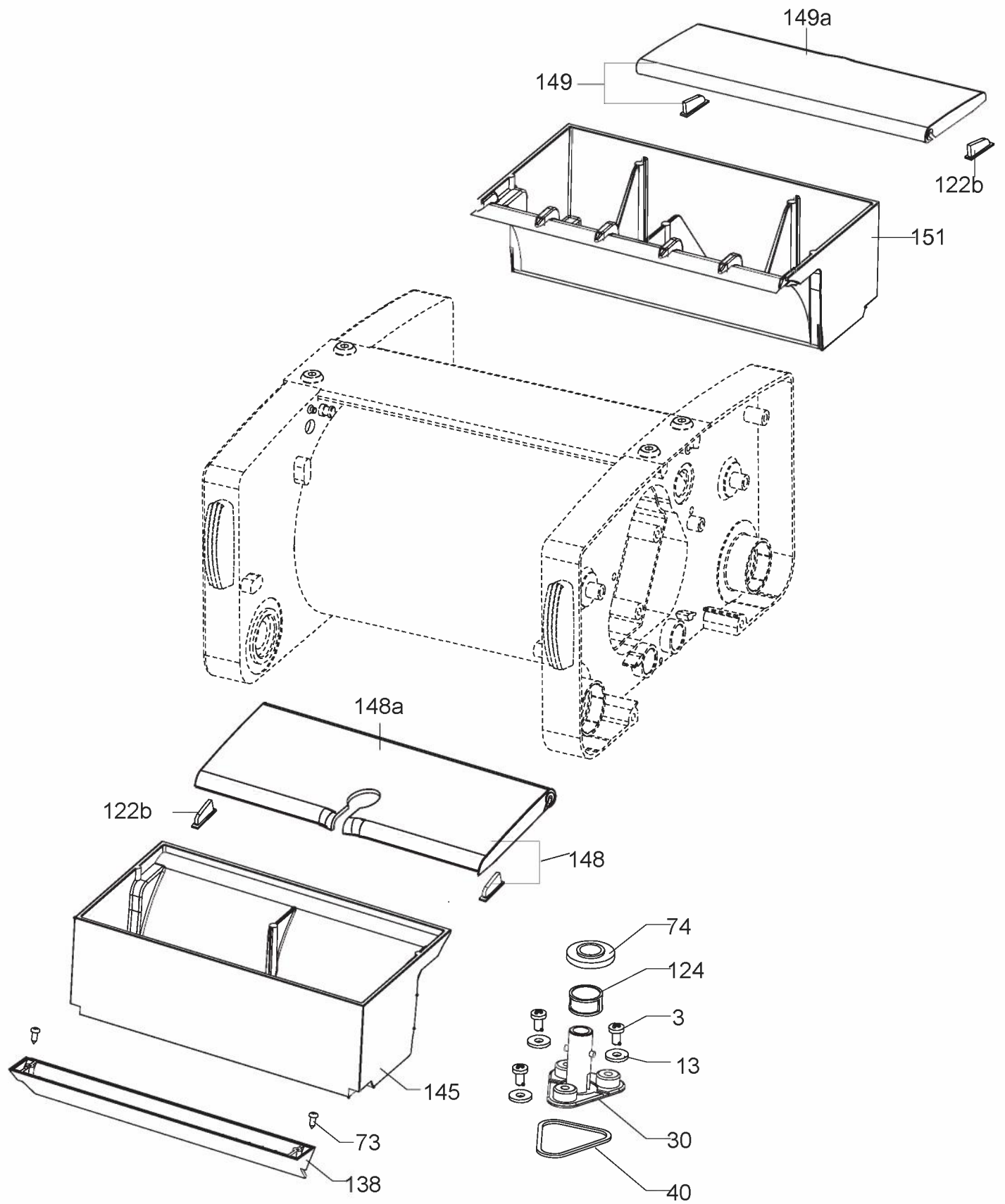
Ref. No	Part No	Description	Size	Qty
1	90-0258-0000	CSK SCREW	M4x10	4
2	90-0001-0000	CRPH SCREW	M3x6	6
6	90-0261-0000	CSK SCREW	M5x25	2
9	90-0293-0000	ALLEN SCREW	M6x10	1
10	90-0144-0000	ALLEN SCREW	M6x16	6
13	90-0007-0000	WASHER	4.2x12x1.6	4
15	90-0147-0000	WASHER	6.4x12x1.6	1
16	90-0395-0000	WASHER	9x17x1.6	1
17	90-0298-0000	SPRING WASHER	M6	1
18	90-0148-0000	TOOTHED WASHER	M6	1
19	90-0009-0000	BEARING	6003 2RS	2
21	90-0149-0000	WIRE TIE		2
32	90-0154-0000	BUMPER		1
33	90-0155-0000	BUSH		2
34	90-0156-0000	BUMPER		1
39	90-0123-0000	STUB AXLE		2
43	90-0025-0000	SLIDER HOUSING		1
46	90-0027-0000	SEAL		2
58	90-0033-0000	TRANSPORT SLIDER		1
59	90-0035-0000	PIN		1
62	90-0176-0000	O' RING		1
63	90-0040-0000	SHIELD		1
68	90-0179-0000	FAN COVER		1
72	90-0045-0000	GROMMET		1
73	90-0183-0000	SELF TAPPING SCREW		6
75	90-0048-0000	CAP		1
77	90-0020-0000	CAP		2
79	90-0188-0000	STOPPER		1
81	90-0259-0000	PEDAL		1
86	90-0297-0000	NUT		2
89	90-0269-0000	CONNECTOR		1
90	90-0283-0000	SWITCH		2
92	90-0267-0000	SHIELD		1
93	90-0294-0000	ROLLER		1
94	90-0290-0000	SOCKET ASSY		1
94a	90-0291-0000	SOCKET		1
94b	90-0292-0000	TERMINAL		3
95	90-0278-0000	CABLE		2
96	90-0279-0000	CABLE		1
97	90-0280-0000	CABLE		1
98	90-0281-0000	CABLE		1



Housing-Idle Side

9

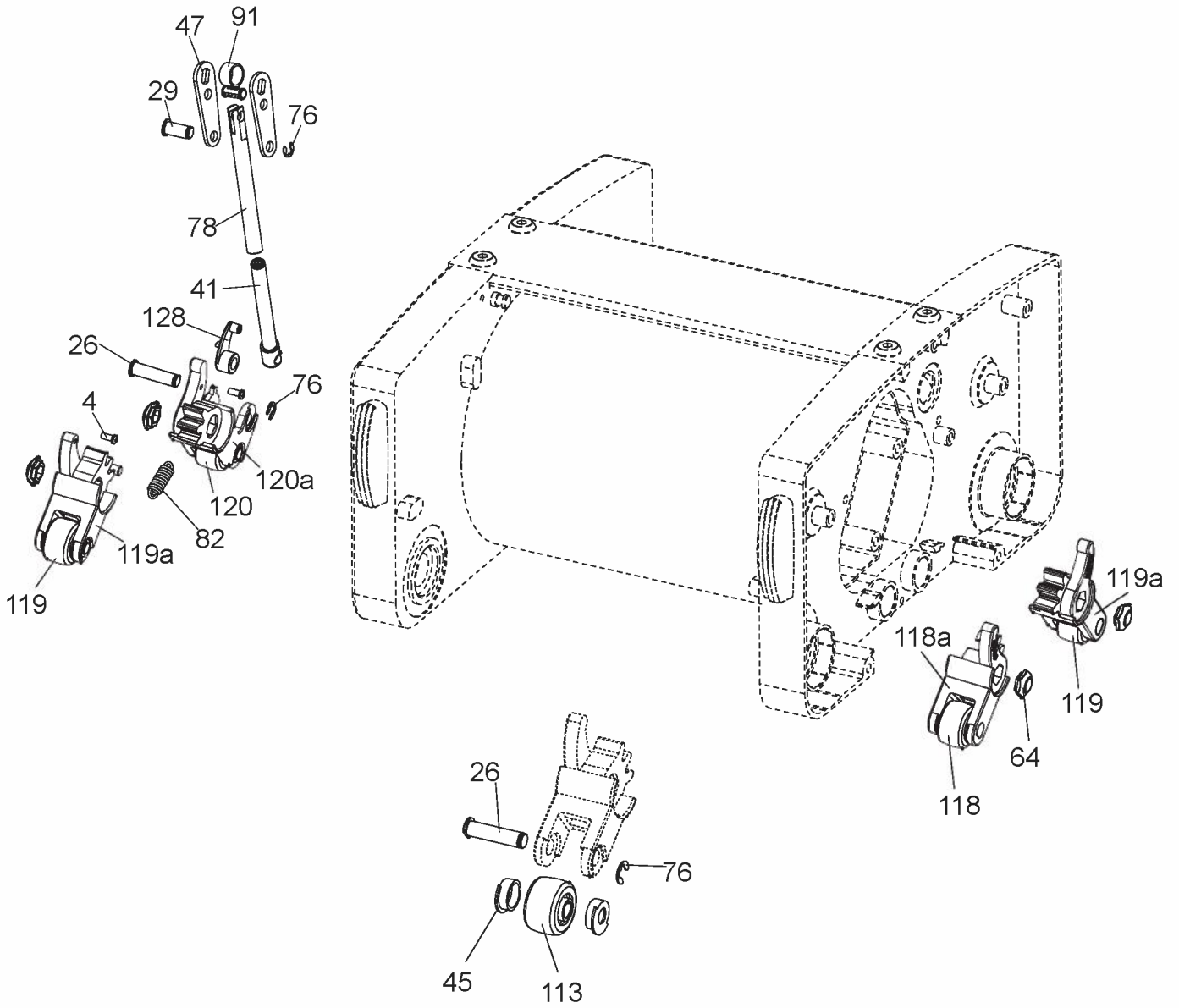
Ref. No	Part No	Description	Size	Qty
99	90-0282-0000	CABLE		1
100	90-0260-0000	SPRING-PEDAL		1
105	90-0390-0000	BUMPER SLEEVE		3
129	90-0265-0000	LEVER SWITCH ACT		1
131	90-0262-0000	INSULATION TOP		1
132	90-0263-0000	INSULATION BOTTOM		1
133	90-0295-0000	NUT		1
188	90-0397-0000	SLEEVE TIE ROD		3
V2,V3,		Variant's Refer Page No. 19		
V5,V8		Variant's Refer Page No. 19		



Tank Assembly

11

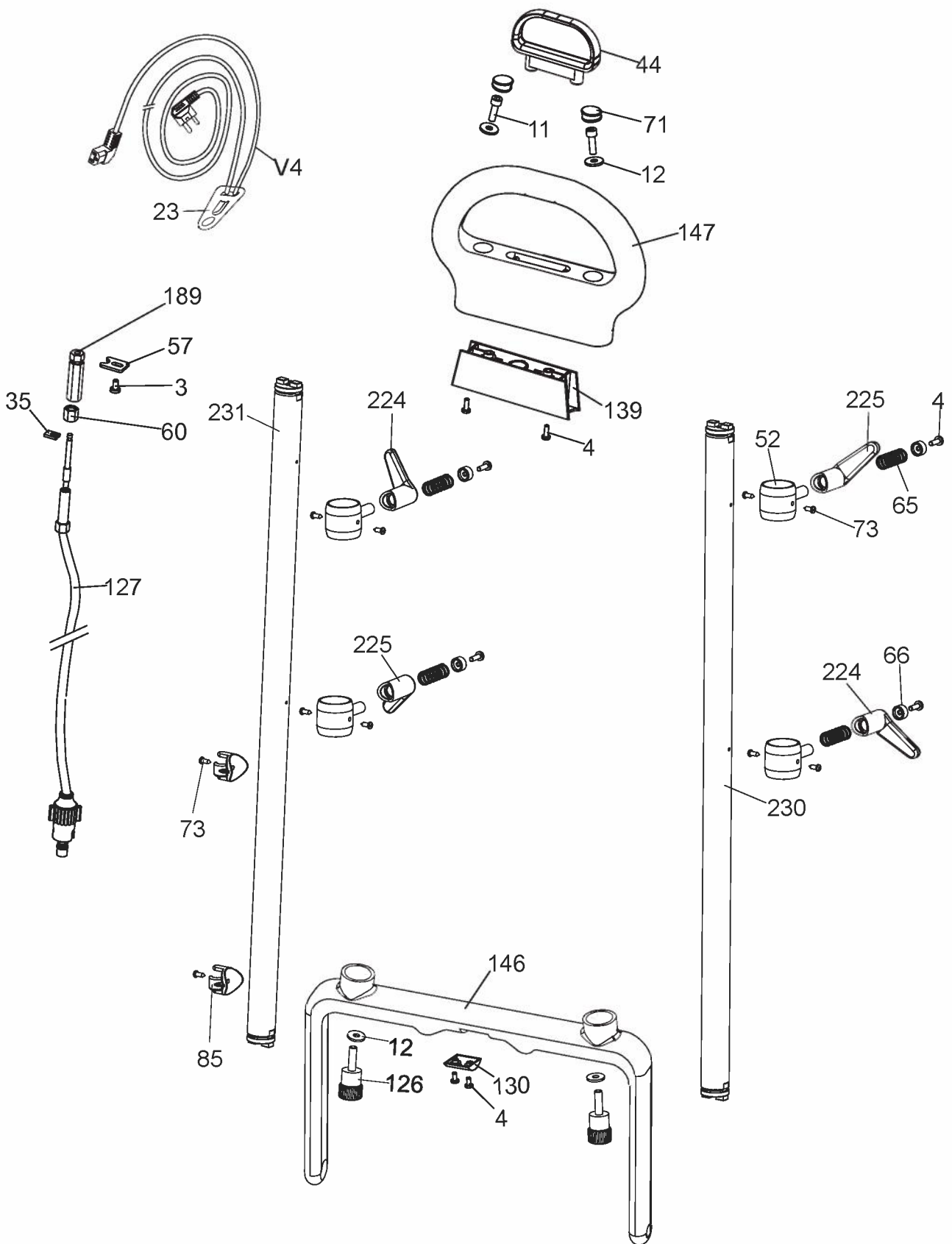
Ref. No	Part No	Description	Size	Qty
3	90-0002-0000	CRPH SCREW	M4x8	3
13	90-0007-0000	WASHER	4.2x12x1.6	3
30	90-0016-0000	VALVE BODY		1
40	90-0023-0000	GASKET		1
73	90-0183-0000	SELF TAPPING SCREW		2
74	90-0047-0000	SPACER		1
122b	90-0055-0000	LID PAD		4
124	90-0076-0000	FILTER		1
138	90-0091-0000	CHANNEL-TANK		1
145	90-0106-0000	FRESH WATER TANK		1
148	90-0108-0000	LID ASSY-FRESH WATER		1
148a	90-0201-0000	LID-FRESH WATER		1
149	90-0109-0000	LID ASSY-DIRTY WATER		1
149a	90-0217-0000	LID-DIRTY WATER		1
151	90-0237-0000	DIRTY WATER TANK		1



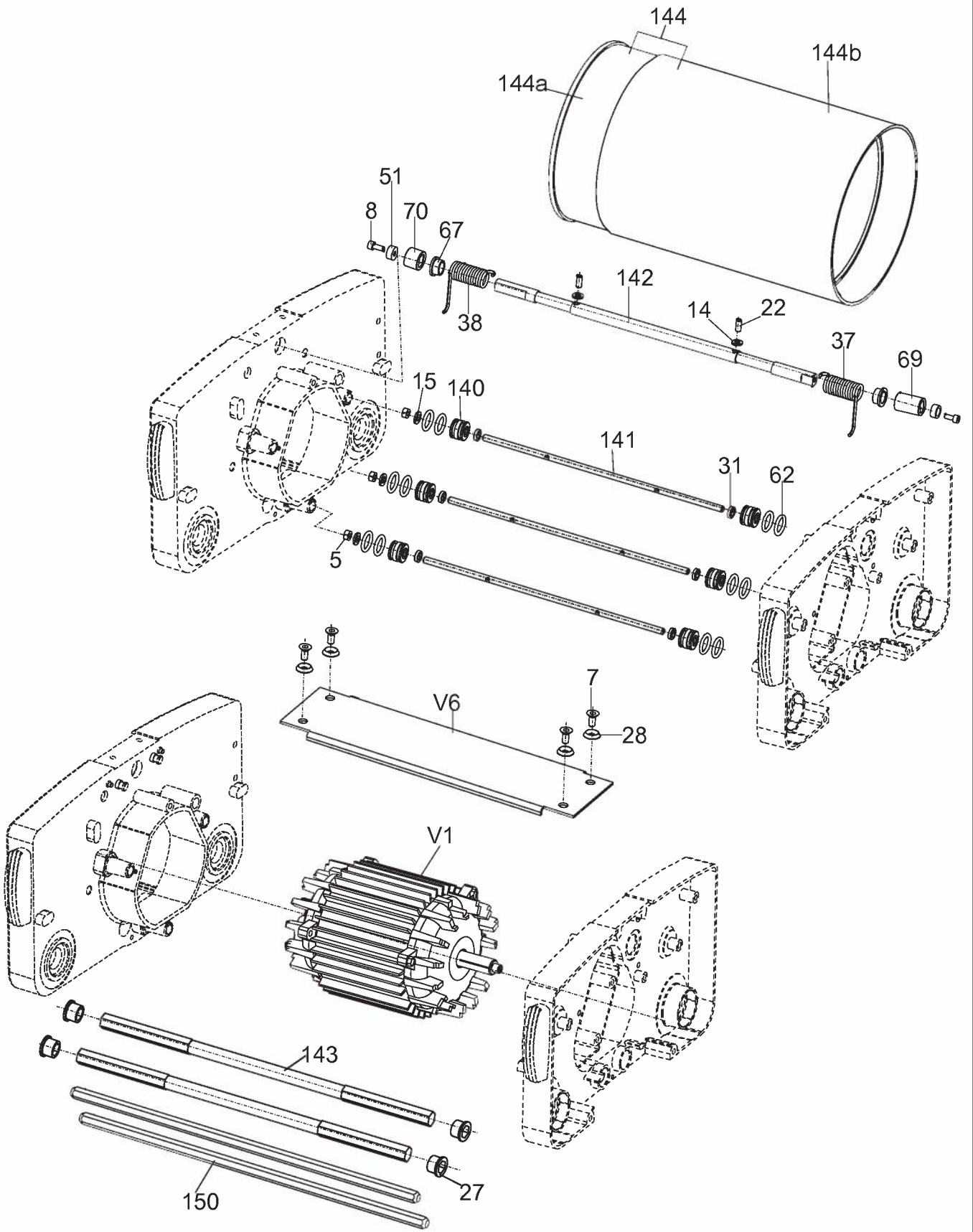
Lever and Guide Link Mechanism

13

Ref. No	Part No	Description	Size	Qty
4	90-0046-0000	CRPH SCREW	M4x12	2
26	90-0151-0000	CLEVIS PIN		5
29	90-0153-0000	CLEVIS PIN		1
41	90-0159-0000	LINK		1
45	90-0162-0000	SHIELD		8
47	90-0163-0000	LEVER		2
64	90-0177-0000	LEVER BUTTON		4
76	90-0051-0000	CIRCLIP		6
78	90-0186-0000	LINK GUIDE		1
82	90-0284-0000	SPRING		1
91	90-0257-0000	BUSH		1
113	90-0196-0000	WHEEL		4
118	90-0068-0000	LEVER ASSY		1
118a	90-0173-0000	LEVER		1
119	90-0069-0000	LEVER ASSY		2
119a	90-0174-0000	LEVER		2
120	90-0070-0000	LEVER ASSY		1
120a	90-0175-0000	LEVER		1
128	90-0266-0000	LEVER SWITCH		1



Ref. No	Part No	Description	Size	Qty
3	90-0002-0000	CRPH SCREW	M4x8	1
4	90-0046-0000	CRPH SCREW	M4x12	8
11	90-0005-0000	ALLEN SCREW	M6x20	2
12	90-0006-0000	WASHER	6.4x18x2	4
23	90-0010-0000	CABLE RETAINER		1
35	90-0018-0000	CLAMP		1
44	90-0026-0000	PULL HANDLE		1
52	90-0168-0000	BASE-CABLE HOLDER		4
57	90-0032-0000	CLAMP		1
60	90-0038-0000	NUT		1
65	90-0041-0000	SPRING		4
66	90-0042-0000	WASHER		4
71	90-0044-0000	PLUG		2
73	90-0183-0000	SELF TAPPING SCREW		10
85	90-0050-0000	GUIDE		2
126	90-0296-0000	KNOB		2
127	90-0234-0000	PULL CABLE		1
130	90-0270-0000	DUMMY		1
139	90-0207-0000	CAP		1
146	90-0232-000	BOTTOM HANDLE		1
147	90-0233-0000	TOP HANDLE		1
189	90-0465-0000	SLEEVE		1
224	90-0402-0000	KNOB-CABLE HOLDER-II		2
225	90-0429-0000	KNOB-CABLE HOLDER-I		2
230	90-0451-0000	PIPE-LH		1
231	90-0452-0000	PIPE-RH		1
V4		Variants Refer Page No. 19		



Motor, Drum and Bridge Assembly

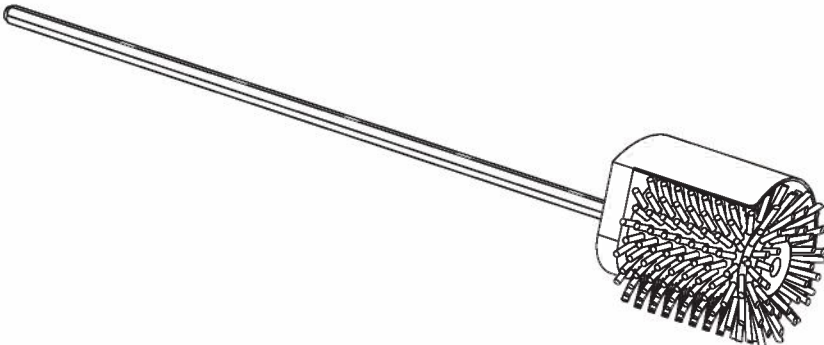
17

Ref. No	Part No	Description	Size	Qty
5	90-0142-0000	HEX NUT	M6	3
7	90-0143-0000	CSK SCREW	M6x14	4
8	90-0004-0000	ALLEN SCREW	M4x10	2
14	90-0146-0000	WASHER	5.2x10x1.6	2
15	90-0147-0000	WASHER	6.4x12x1.6	3
22	90-0150-0000	GRUB SCREW	M5x12	2
27	90-0015-0000	BUSH		4
28	90-0152-0000	WASHER		4
31	90-0017-0000	WASHER		6
37	90-0157-0000	SPRING		1
38	90-0158-0000	SPRING		1
51	90-0030-0000	WASHER		2
62	90-0176-0000	O' RING		12
67	90-0178-0000	BUSH		2
69	90-0180-0000	BUSH		1
70	90-0181-0000	BUSH		1
140	90-0215-0000	ROLLER		6
141	90-0097-0000	TIE ROD		3
142	90-0098-0000	SHAFT		1
143	90-0216-0000	HEX SHAFT		2
144	90-0305-0000	DRUM ASSY		1
144a	90-0288-0000	DRUM		1
144b	90-0289-0000	DRUM SLEEVE		1
150	90-0114-0000	BRUSH SHAFT		2

V1, V6 Variants Refer Page No. 19

Side Brush Assembly

90-0134-0000



BRUSH

SL.NO	PART NO	DESCRIPTION
1	90-0127-0000	BRUSH-STD
2	90-0133-0000	BRUSH-POLISHING
3	90-0339-0000	BRUSH-HARD

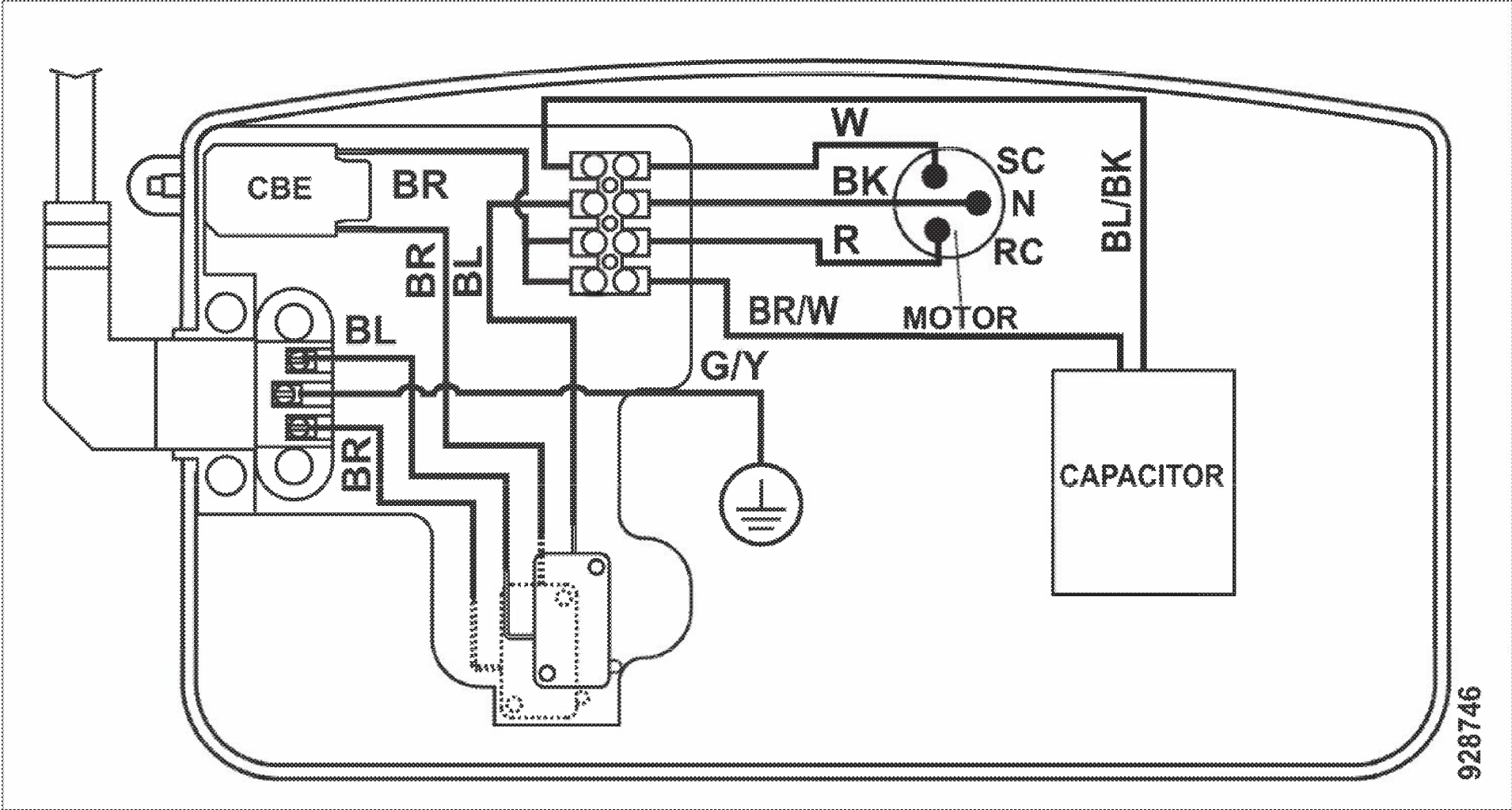
TROLLEY

1	05-3395-0000	TROLLEY
---	--------------	---------

Variants

Ref. No	Part No	Description	Qty
V1	90-0271-0000	MOTOR (230V, 50Hz)	1
V2	90-0272-0000	CAPACITOR (13 MFD)	1
V3	90-0056-0000	CIRCUIT BREAKER (3.5A)	1
V4	90-0299-0000	POWER CORD (UK)	1
V5	90-0329-0000	IDLE HOUSING	1
V6	90-0245-0000	BRIDGE	1
V7	90-0330-0000	DRIVE HOUSING	1
V8	90-0126-0000	COVER	2

Electrical Diagram



1. Electrical layout of N/T model



SPARES & TECHNICAL SUPPORT +44 (0) 23 8070 6601
TRUVOX CUSTOMER SERVICE HELPLINE +44 (0) 23 8070 2200

Truvox International Limited, Third Avenue, Millbrook, Southampton, Hampshire SO15 0LE England
Tel: +44 (0) 23 8070 2200 Fax: +44 (0) 23 8070 5001
e-mail: truvox@truvox.com <http://www.truvox.com>
