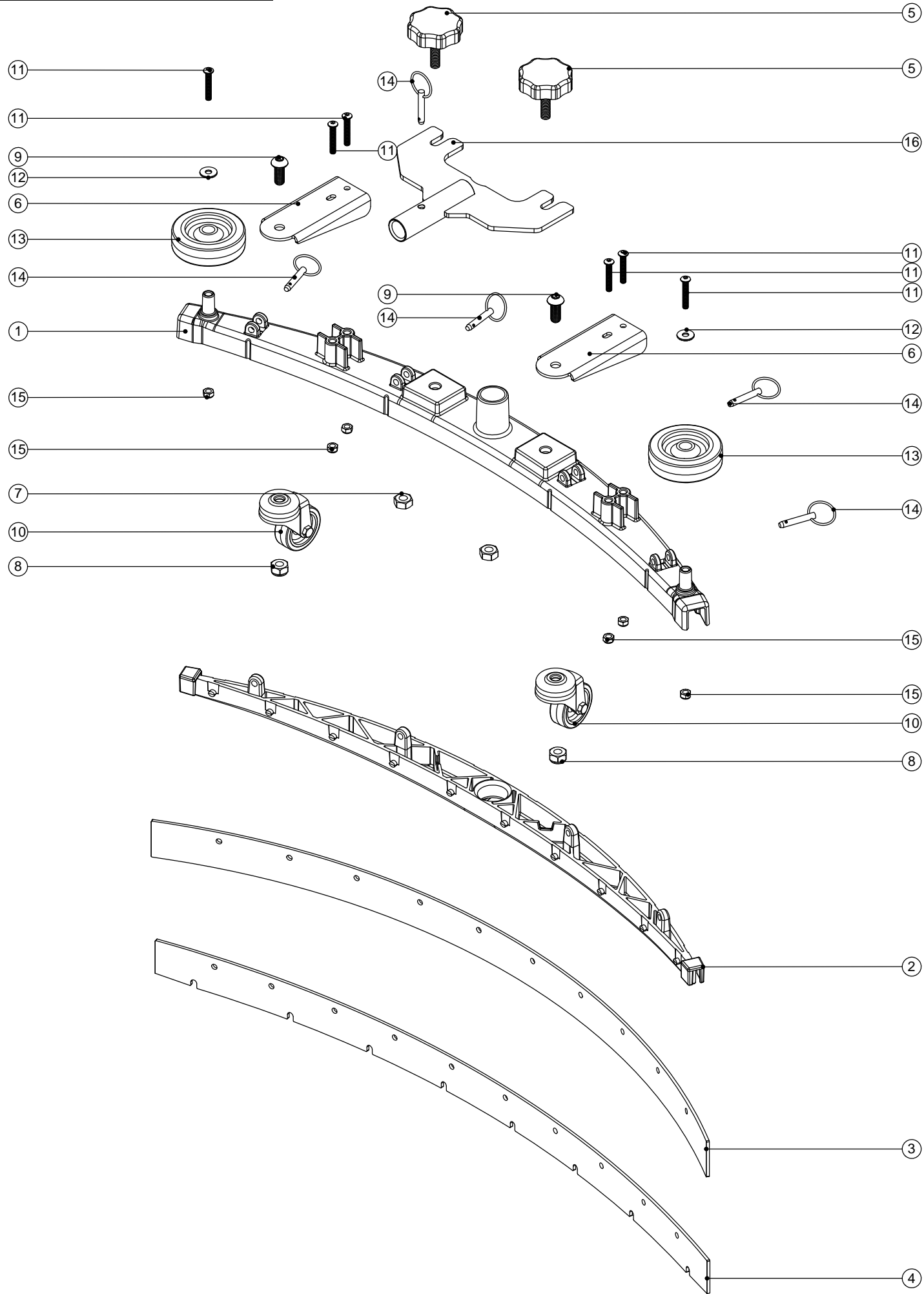


Numatic International Spare Parts

Model No:TTV678 Squeegee Assy (650mm Scrub Width/38mm Hose)

234566
DRAWING: EXP-0995 ISS:A07
03/11/2010

NB: FOR WIRING SEE DRAWING: N/A



Numatic International Spare Parts

Model No: TTV678 Squeegee Assy (650mm Scrub Width/38mm Hose)

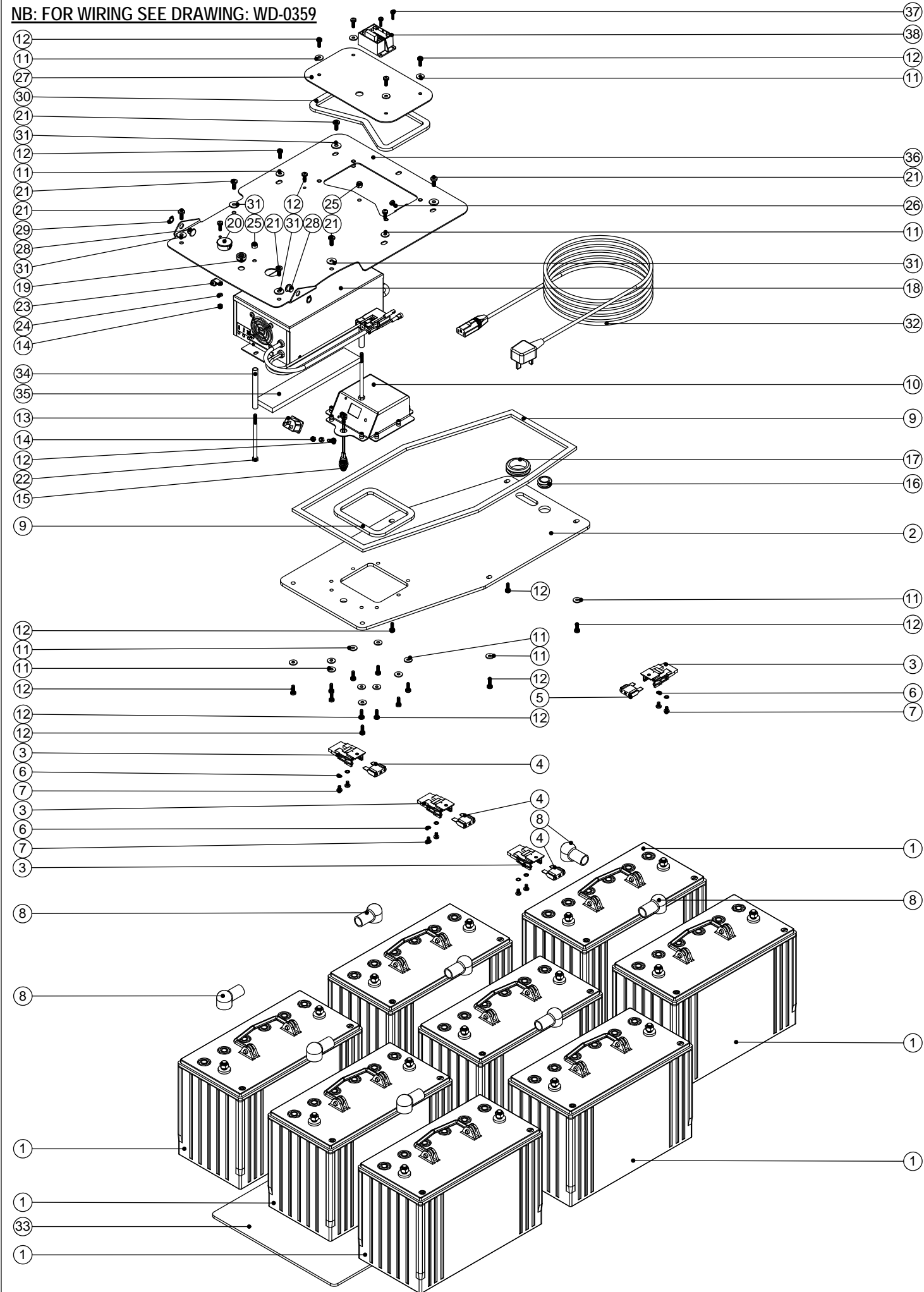
POS.	ITEM NO.	DESCRIPTION:	COMMENTS:
1	208198	(650MM SCRUB WIDTH) ALUMINIUM SQUEEGEE CASTING (38MM HOSE FITTING)	
2	229987	(650MM SCRUB WIDTH) BLADE HOLDER MouldING (SLOPING PROFILE) (32MM & 38MM HOSE FITTING)	
3	206978	(650MM SCRUB WIDTH) REPLACEMENT (3.2MM / 43 SHORE A) REAR POLY/BLADE (847MM LONG)	STANDARD BLADE OPTION
	208202	(650MM SCRUB WIDTH) REPLACEMENT (4.0MM / 50 SHORE A) REAR POLY/BLADE (847MM LONG)	PREMIUM BLADE OPTION
	208203	(650MM SCRUB WIDTH) REPLACEMENT (4.0MM / 40 SHORE A) REAR RED LINATEX PREMIUM NATURAL RUBBER /BLADE (847MM LONG)	PREMIUM BLADE OPTION
4	206977	(650MM SCRUB WIDTH) REPLACEMENT (3.2MM / 43 SHORE A) FRONT POLY/BLADE (819MM LONG)	STANDARD BLADE OPTION
	208199	(650MM SCRUB WIDTH) REPLACEMENT (3.2MM / 50 SHORE A) FRONT POLY/BLADE (819MM LONG)	PREMIUM BLADE OPTION
	208201	(650MM SCRUB WIDTH) REPLACEMENT (3.2MM / 40 SHORE A) FRONT RED LINATEX PREMIUM NATURAL RUBBER /BLADE (819MM LONG)	PREMIUM BLADE OPTION
5	206951	QUICK RELEASE KNOB	
6	329825	CASTOR PLATE	
7	219963	M10 STAINLESS STEEL FULL NUT	
8	219897	M10 STAINLESS STEEL NYLON INSERT NUT	
9	219910	M10 X 25MM LONG SOCKET BUTTON HEAD STAINLESS STEEL SCREW	
10	204018	50MM CASTOR/GREY RUBBER TYRE	
11	219933	M6 X 35MM SOCKET BUTTON HEAD BOLT STAINLESS STEEL	
12	219647	M6 FORM G STAINLESS STEEL WASHER	
13	204068	3 INCH GREY WHEEL	
14	206953	DETENT PINS	
15	219853	M6 NYLOC HALF NUT (STAINLESS STEEL)	
16	303795	QUICK RELEASE TUBE/PLATE WELDED ASSEMBLY	

Numatic International Spare Parts

Model No: Vario Charger/Charger Plate/Batteries Assembly

234611
DRAWING: EXP-1039 ISS:A05
30/04/2010

NB: FOR WIRING SEE DRAWING: WD-0359



Numatic International Spare Parts

Model No: Vario Charger/Charger Plate/Batteries Assembly

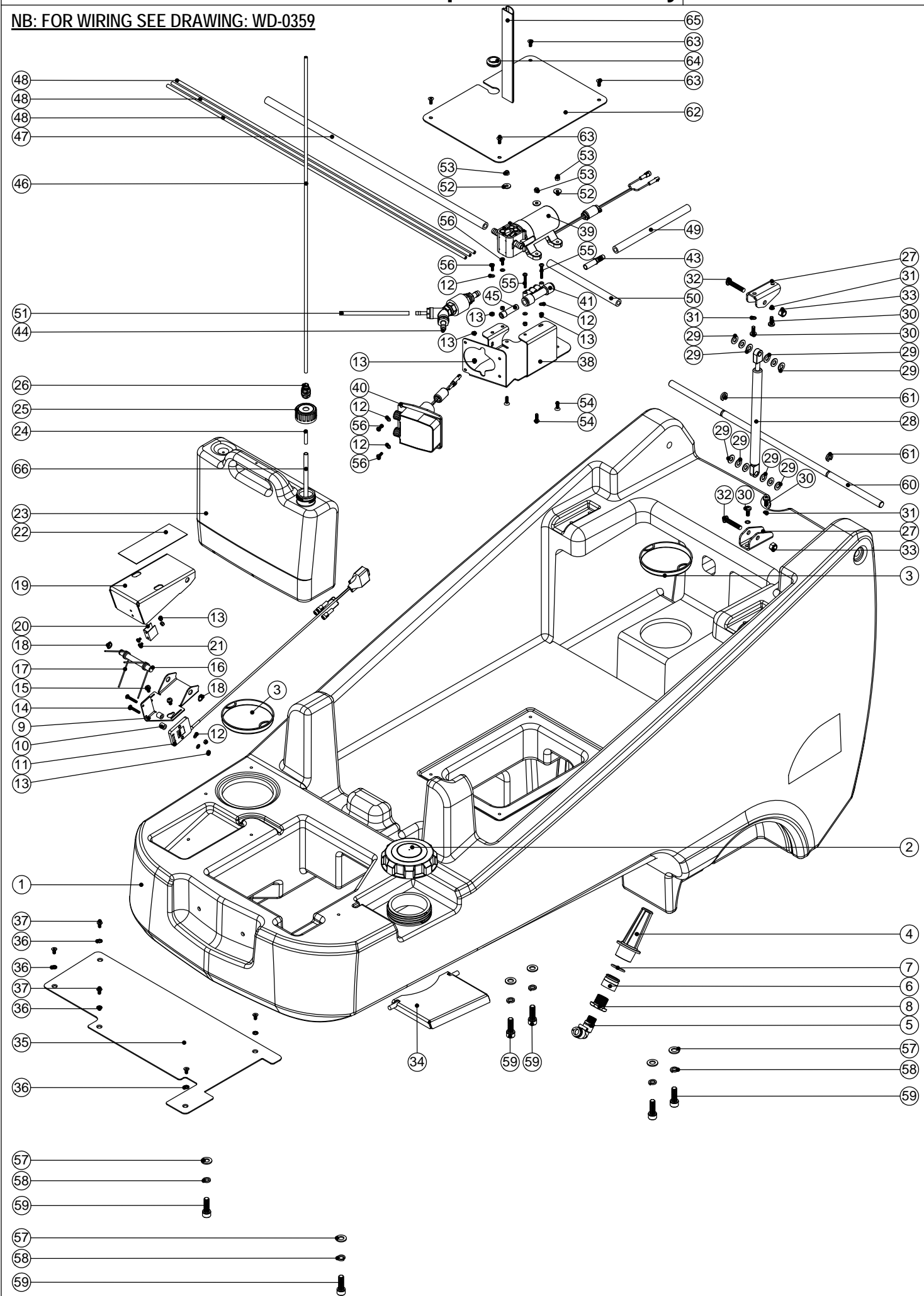
POS:	ITEM NO:	DESCRIPTION:	COMMENTS:
1	205112	100 AMP/HOUR REPLACEMENT BATTERY (C/W PACKGING FOR 230138 BATTERY)	
2	329875	TOP TANK PLASTIC COVER PLATE	
3	230102	FUSE HOLDER RATED AT 60 AMPS	
4	221047	40 AMP MAXI FUSE	6 BATTERY MACHINES ONLY
	230104	30 AMP MAXI FUSE	8 BATTERY MACHINES ONLY
5	230104	30 AMP MAXI FUSE	8 BATTERY MACHINES ONLY
6	219016	M5 SHAKEPROOF WASHER	
7	219864	M5 X 8MM LONG POZI PAN SCREW	
8	206861	RED PVC TERMINAL CAP	
9	212997	6MM X 12MM X 12METERS ROLL INSEAL	
10	303851	NUTSERTED CHARGING BOX	USE ISS: A03 FOR MACHINE BEFORE:12/01/2009
11	219005	M5 FORM G WASHER	
12	219045	M5 X 16MM LONG POZI PAN SEMS SCREW	
13	208078	IEC INLET SOCKET	
14	219076	M5 NYLON INSERT NUT	
15	270193	NEON INDICATOR RED LENS 230V C/W LINK WIRES	
	270195	NEON INDICATOR RED LENS 120V C/W LINK WIRES	
16	208143	20MM GROMMET X 6MM PANEL THICKNESS	
17	208144	38MM GROMMET X 6MM PANEL THICKNESS	
18	230143	220-240V MENTZER 35 AMP CHARGER	
	230142	110-120V MENTZER 35 AMP CHARGER	
19	208140	IP66/67 GROMMET	
20	206314	WINDOW PLUG	
21	219618	M6 X 16MM LONG POZI PAN SCREW	
22	219863	M6 X 100MM LONG HEXAGONAL HEAD BOLT	
23	219393	P CLIP	
24	219003	M5 FORM A STEEL WASHER	
25	219088	M6 NYLON INSERT NUT	
26	219047	M5 X 10MM LONG POZI PAN SEMS SCREW	
27	329924	CHARGER ACCESS PANEL	
	303943	CHARGER ACCESS PANEL (120V)	120V MACHINES ONLY
28	206647	PIVOT BUSH	
29	219586	10MM EXTERNAL CIRCLIP	
30	212997	6MM X 12MM X 12METERS ROLL INSEAL	
31	219008	M6 FORM G WASHER	
32	220386	UK TYPE CHARGING LEAD	
	221079	EURO TYPE CHARGING LEAD	
	220389	USA TYPE CHARGING LEAD	
33	208160	RUBBER MAT	
34	391266	88.5MM LONG X 10MM DIAMETER X 1MM WALL STAINLESS STEEL TUBE	
35	229303	BATTERY PLATE PAD	
36	303852	NUTSERTED SEAT PIVOT BRACKET / CHARGER PLATE	
37	219472	M4 X 16MM LONG POZI PAN SEMS SCREW	120V MACHINES ONLY
38	208387	SURGE ARRESTER PCB (POTTED IN BOX)	120V MACHINES ONLY

Numatic International Spare Parts

Model No: Vario Bottom Tank / Pump / Pedal Assembly

234610
DRAWING: EXP-1038 ISS:A03
06/06/2010

NB: FOR WIRING SEE DRAWING: WD-0359



Numatic International Spare Parts

Model No: Vario Bottom Tank / Pump / Pedal Assembly

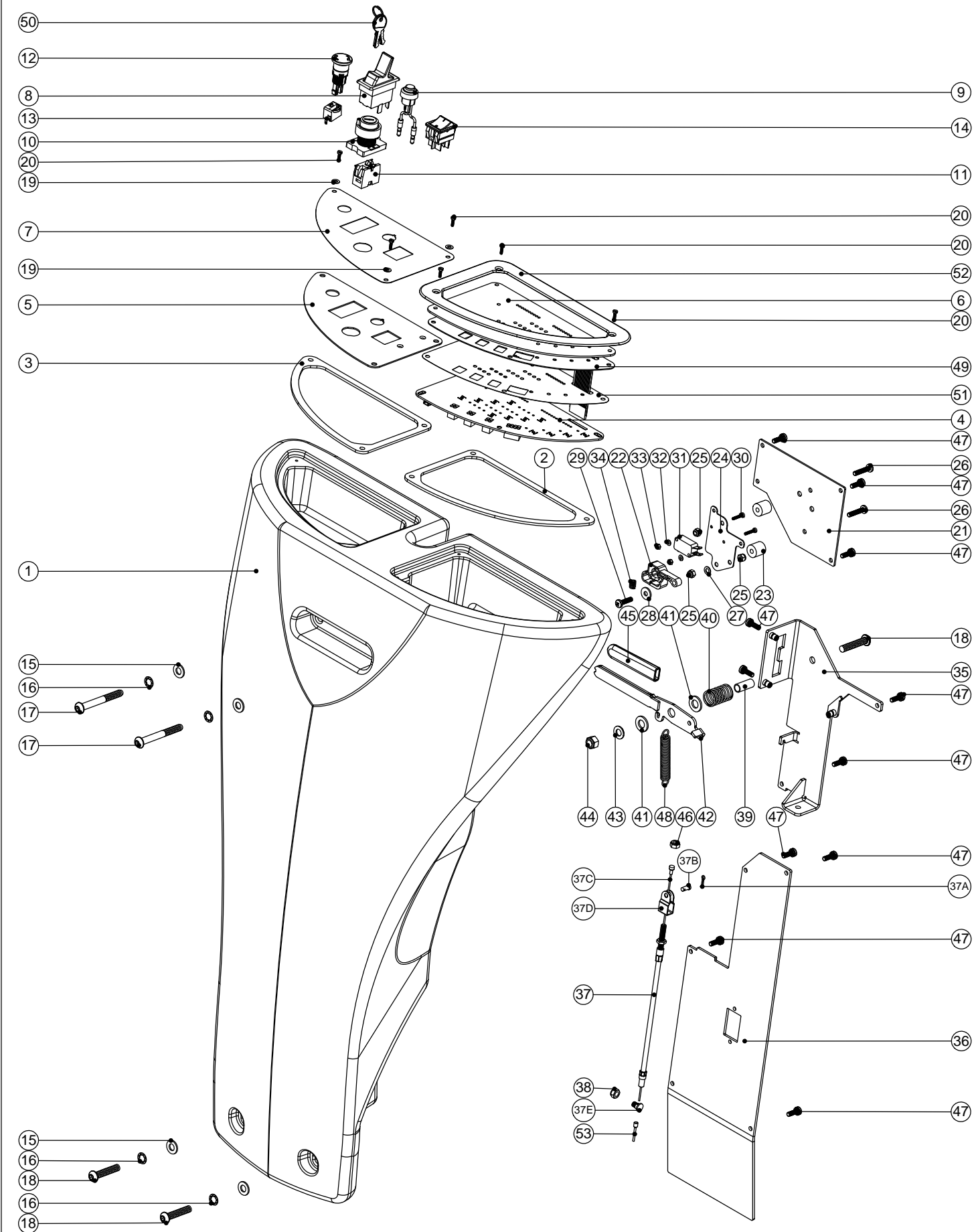
POS:	ITEM NO:	DESCRIPTION:	COMMENTS:
1	229838	BOTTOM TANK MOULDING	
2	208077	FILLER CAP	
3	219452	100MM DIAMETER HOLE PLUG	
4	206265	BARREL FILTER	
5	206799	3/8 INCH BSP MALE SWIVEL ELBOW X 12MM TUBE	
6	206274	FILTER CONNECTOR	
7	219626	23MM I/D X 2.5MM SECTION O RING	
8	206275	TAP CONNECTOR FITTING	
9	329841	ACCELERATOR HINGE PLATE	
10	219574	NYLON SPACER	
11	206905	ACCELERATOR SENSOR	
12	219206	M4 FORM A WASHER	
13	219083	M4 NYLON INSERT NUT	
14	219267	M4 X 20MM LONG POZI PAN SEMS SCREW	
15	219047	M5 X 10MM LONG POZI PAN SEMS SCREW	
16	208046	CIRCLIP BAR	
17	208047	TORSION SPRING (LEFT HAND)	
18	219586	10MM EXTERNAL CIRCLIP	
19	329840	ACCELERATOR PEDAL	
20	404051	GILL SENSOR ACTIVATOR PLATE (PAINTED ANTHRACITE GREY)	
21	219697	M4 X 8MM LONG POZI PAN STAINLESS STEEL SCREW	
22	391222	ACCELERATOR GRIP PAD	
23	303800	PROCESSED DOSING TANK MOULDING	
24	391219	6MM X 30MM LONG CLEAR POLYURETHANE TUBE	
25	303827	PROCESSED BLUE CAP	
26	208032	6MM BULKHEAD CONNECTOR	
27	329893	GAS STRUT BRACKET	
28	208042	GAS STRUT	
29	219010	M8 FORM A WASHER	
30	219618	M6 X 16MM LONG POZI PAN SCREW	
31	219544	M6 SHAKEPROOF WASHER	
32	219865	M8 X 40MM LONG SOCKET BOLT	
33	219078	M8 NYLON INSERT NUT	
34	303822	FILLER CAP COVER WELDED ASSEMBLY	
35	329839	FLOOR PLATE	
36	219972	M5 COUNTERSUNK EXTERNAL SHAKEPROOF WASHER	
37	291008	M5 X 10MM LONG POZI PAN COUNTERSUNK STAINLESS STEEL SCREW	
38	329891	RIDE-ON PUMP ASSEMBLY BRACKET (SEKO PUMP)	
39	321406	WATER PUMP & LEAD ASSEMBLY	
40	321417	DETERGENT PUMP & SOLDERED LEAD ASSEMBLY	
41	208031	3 WAY MANIFOLD (10MM DIAMETER INPUT / 6MM DIAMETER OUTPUT)	
42	206818	HOSE CLIP	
43	208035	10MM X 8MM BARBED CONNECTOR	
44	208118	NONE RETURN VALVE ASSEMBLY	
45	208034	10MM BLANKING PLUG	
46	391218	6MM X 1500MM LONG CLEAR POLYURETHANE TUBE	
47	391216	SILICON TUBE 600MM LONG X 8MM I/D X 3.2MM WALL SECTION	
48	391220	6MM X 820MM LONG CLEAR POLYURETHANE TUBE	
49	391215	SILICON TUBE 200MM LONG X 8MM I/D X 3.2MM WALL SECTION	
50	391214	SILICON TUBE 190MM LONG X 8MM I/D X 3.2MM WALL SECTION	
51	391217	UNREINFORCED SILICON HOSE 135MM LONG X 4MM I/D X 7.1MM O/D	
52	219005	M5 FORM G WASHER	
53	219076	M5 NYLON INSERT NUT	
54	219282	M5 X 16MM LONG POZI PAN COUNTERSUNK SCREW	
55	219321	M4 X 30MM LONG POZI PAN SCREW	
56	221151	M4 X 12MM LONG POZI PAN SCREW	
57	219012	M10 FORM E WASHER	
58	219349	M10 SINGLE COIL WASHER	
59	219966	M10 X 30 FULLY THREADED SOCKET	
60	208071	TOP TANK PIVOT TUBE	
61	208072	PLASTIC FIXING RING	
62	404035	RIDE ON PUMP COVER PLATE (PAINTED GREY)	
63	219330	M5 X 12MM LONG POZI PAN COUNTERSUNK SCREW	
64	219934	GROMMET	
65	391228	210MM LONG SELF ADHESIVE CABLE DUCTING	
66	227998	260MM LONG SOLUTION TUBE	

Numatic International Spare Parts

Model No: Vario Front Moulding/Lever/Panel Assembly

234609
DRAWING: EXP-1037 ISS:A05
25/01/2011

NB: FOR WIRING SEE DRAWING: WD-0359



Numatic International Spare Parts

Model No: Vario Front Moulding/Lever/Panel Assembly

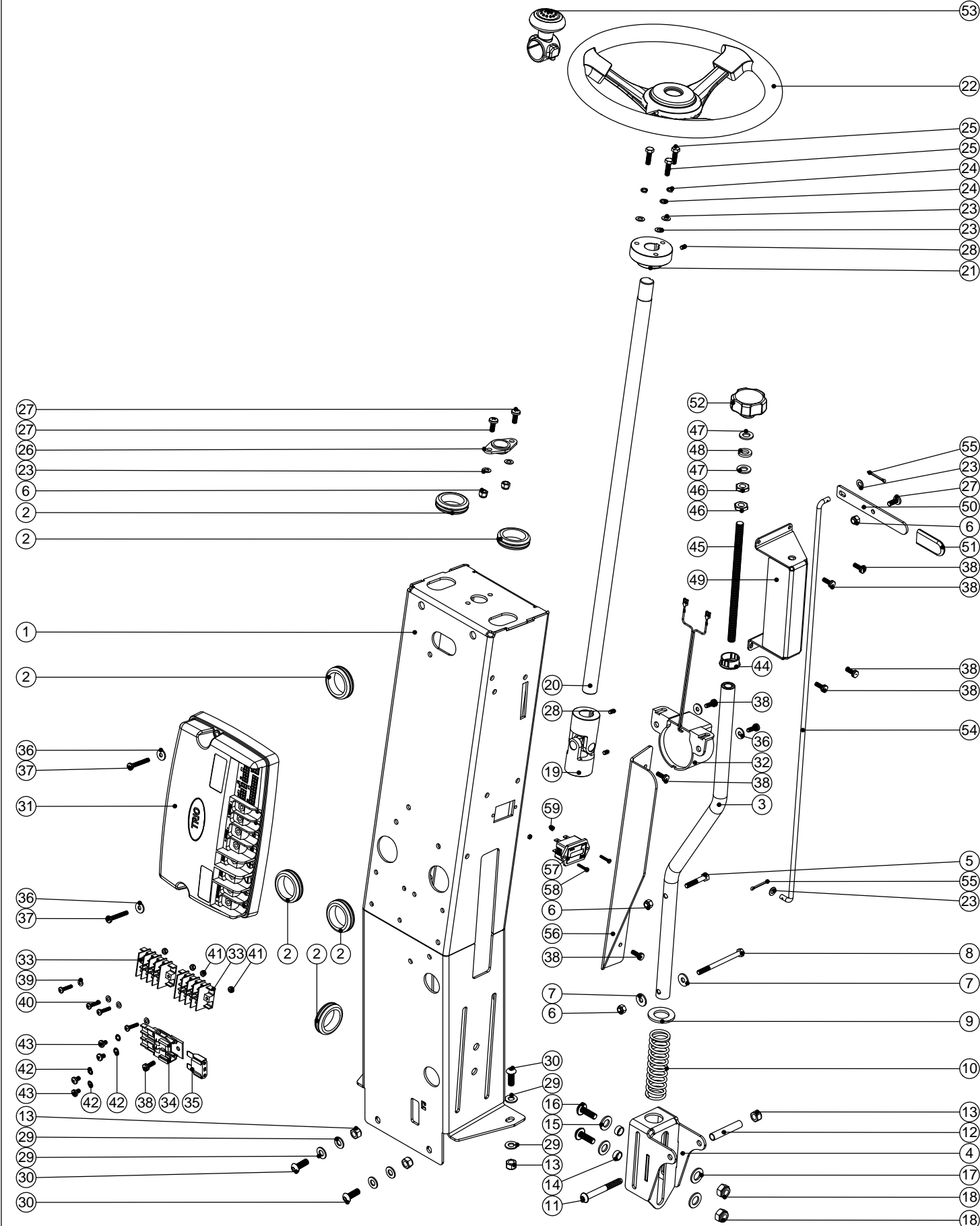
POS:	ITEM NO:	DESCRIPTION:	COMMENTS:
1	229858	STEERING COLUMN MOULDING	
2	208096	PCB GASKET	
3	208097	KEY PANEL GASKET	
4	208168	USB CONTROL PANEL / PCB (MK2)	
	310043	PCB REPLACEMENT KIT (MK2) INCLUDES ITEMS: 2,4,6,49,51,51	MACHINES BUILT AFTER 12/01/09 USE THIS KIT
	310042	PCB REPLACEMENT KIT (MK1) INCLUDES ITEMS: 2,4,6,49,51,51	MACHINES BUILT BEFORE 12/01/09 USE THIS KIT
5	429116	KEY & E STOP PANEL (PAINTED GRAPHITE GREY)	MACHINES BUILT BEFORE 12/01/09 USE AO7 ISSUE
6	208048	RIDE ON DISPLAY PANEL MEMBRANE (PEDAL VERSION)	
7	208128	KEY & E STOP OVERLAY STICKER	
8	206933	PADDLE SWITCH	
9	321449	HORN SWITCH & SOLDERED LEAD ASSEMBLY	
10	208138	KEY SWITCH (2 POSITION)	
11	208137	KEY SWITCH ACTUATOR BLOCK	
12	206901	EMERGENCY STOP (A01ES) 24MM DIAMETER BUTTON	
13	208095	SWITCH BLOCK (SINGLE POLE / 2 POSITION) (A0151B)	
14	220843	BLUE ROCKER SWITCH	
15	219010	M8 FORM A WASHER	
16	219018	M8 SHAKEPROOF WASHER	
17	219806	M8 X 70MM LONG SOCKET BUTTON HEAD BOLT	
18	219865	M8 X 40MM LONG SOCKET BOLT	
19	219688	M4 FORM A STAINLESS STEEL WASHER	
20	219236	M3 X 10MM LONG SLOT SCREW	
21	404050	LEVER SWITCH PLATE PAINTED BLACK	
22	227587	CENTRE SWITCH OPERATING LEVER MOULDING	
23	219587	15.39MM O/D X 5.16MM I/D X 15.88MM LONG NYLON SPACER	
24	329831	LEVER SWITCH PLATE 2	
25	219076	M5 NYLON INSERT NUT	
26	219575	M5 X 25MM LONG POZI PAN STAINLESS STEEL SCREW	
27	219003	M5 FORM A STEEL WASHER	
28	219005	M5 FORM G WASHER	
29	219054	M5 X 20MM LONG POZI PAN SCREW	
30	219500	M3 X 16MM LONG STAINLESS STEEL SLOT SCREW	
31	229483	SNAP ACTION SWITCH	
32	219237	M3 FORM A WASHER	
33	219070	M3 NYLON INSERT NUT	
34	219804	SWITCH COMPRESSION SPRING	
35	303790	LEVER PIVOT/SELECTOR PLATE WELDED ASSEMBLY	
36	329912	STEERING COLUMN COVER	
37	206959	LIFTING CABLE ASSEMBLY	INCLUDES ITEMS: 37A,37B,37C,37D,37E
37A	208155	COTTER PIN	
37B	208158	CABLE U BRACKET PIN	
37C	208154	INNER CABLE	
37D	208157	CABLE U BRACKET	
37E	208156	CABLE NIPPLE	
38	219853	M6 NYLOC HALF NUT (STAINLESS STEEL)	
39	391191	LEVER PIVOT SPACER (S/S 10MM O/D 8MM I/D X 24MM LONG)	
40	219592	COMPRESSION SPRING	
41	219449	M10 FORM A WASHER	
42	303789	LEVER PLATE WELD ASSEMBLY	
43	219578	M8 FORM A STAINLESS STEEL WASHER	
44	219078	M8 NYLON INSERT NUT	
45	206991	LEVER HANDLE MOULDING	
46	219642	M6 STAINLESS STEEL NYLON INSERT NUT	
47	219045	M5 X 16MM LONG POZI PAN SEMS SCREW	
48	226093	EXTENSION SPRING	
49	329926	VARIO PCB PLASTIC COVER PLATE	
50	208167	SPARE SET OF KEYS (2 KEYS)	
51	208343	PCB COVER 3M DOUBLE SIDED ADHESIVE	
52	208378	DOMED PCB OUTER SEAL	
53	208451	RED INSULATED BOOTLACE FERRULE -18MM PIN	1 PER REQUIRED WHEN ORDERING ITEM 37

Numatic International Spare Parts

Model No: Vario Steering Column Assembly

NB: FOR WIRING SEE DRAWING: WD-0359

234608
DRAWING: EXP-1036 ISS:A04
17/03/2009



Numatic International Spare Parts

Model No: Vario Steering Column Assembly

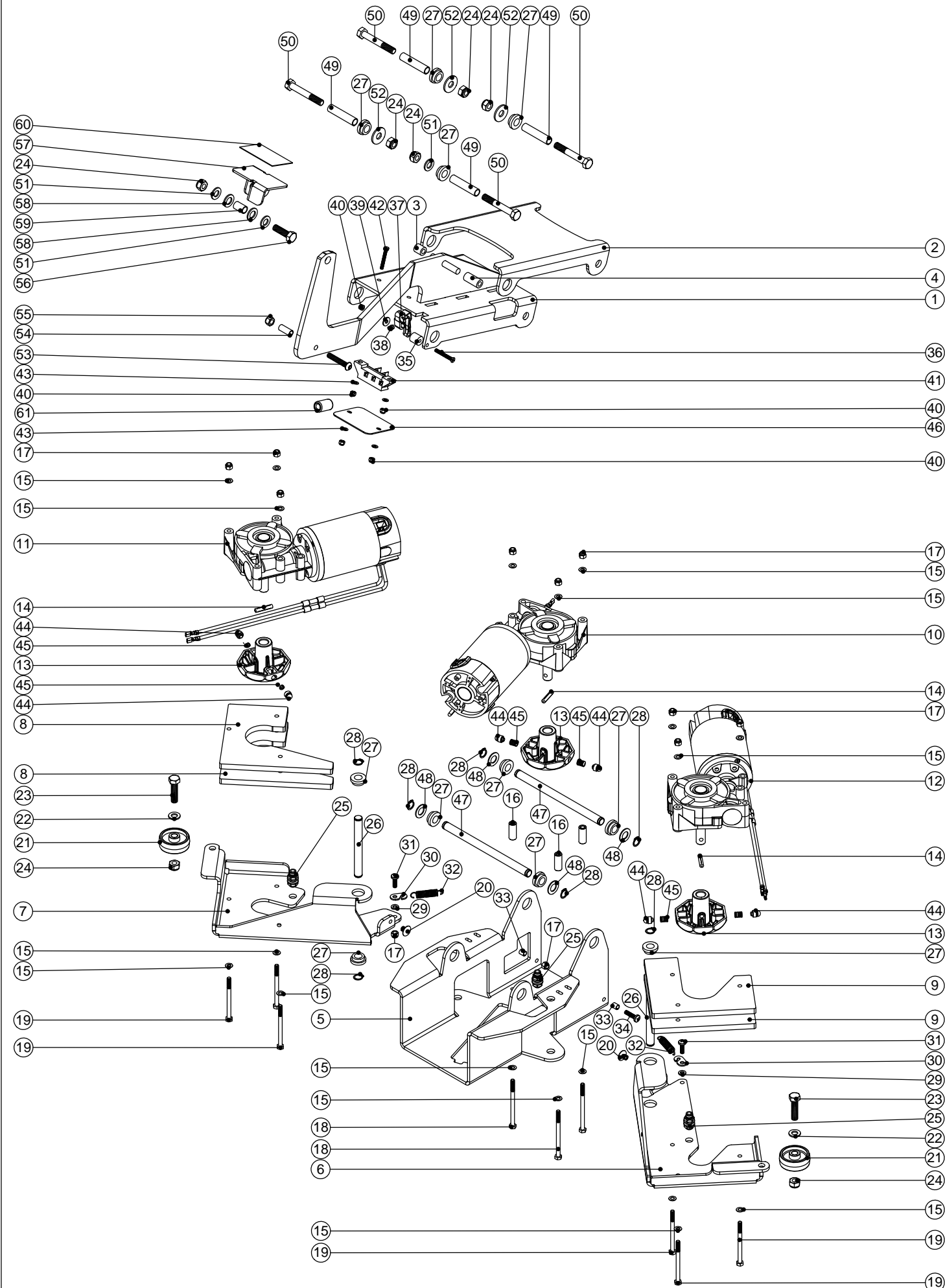
POS:	ITEM NO:	DESCRIPTION:	
1	404046	STEERING COLUMN WELDED ASSEMBLY (MANUAL VERSION) (PAINTED ANTHRACITE GREY)	HOURS METER MACHINES USE A05+
2	208029	GROMMET (32MM I/D)	
3	303817	BRUSH PRESSURE ADJUSTMENT TUBE WELD ASSEMBLY	
4	329864	BRUSH PRESSURE ADJUSTMENT SLIDE	
5	219064	M6 X 35MM LONG HEX BOLT	
6	219088	M6 NYLON INSERT NUT	
7	219008	M6 FORM G WASHER	
8	219915	M6 X 80MM LONG STAINLESS STEEL HEXAGONAL HEAD BOLT	
9	219949	M20 FORM 'A' WASHER	
10	208016	MANUAL BRUSH DECK ADJUSTMENT SPRING	
11	219806	M8 X 70MM LONG SOCKET BUTTON HEAD BOLT	
12	391199	54MM LONG X 10MM DIAMETER STAINLESS STEEL TUBE	
13	219078	M8 NYLON INSERT NUT	
14	303812	12.7MM DIAMETER X 18G X 5.5MM LONG STAINLESS STEEL TUBE	
15	219012	M10 FORM E WASHER	
16	219910	M10 X 25MM LONG SOCKET BUTTON HEAD STAINLESS STEEL SCREW	
17	219911	PLASTIC WASHER	
18	219649	M10 NYLON INSERT NUT	
19	206936	UNIVERSAL JOINT	
20	206940	STEERING SHAFT	
21	206960	WHEEL HUB (TO SUIT 300MM STEERING WHEEL)	
22	206961	300MM STEERING WHEEL C/W CENTRE CAP	
23	219007	M6 FORM B WASHER	
24	219549	M6 SINGLE COIL WASHER	
25	219455	M6 X 20MM LONG HEX HEAD SCREW	
26	208110	IGUS (R) 2 BOLT PLAIN BEARING 20MM I/D	
27	219618	M6 X 16MM LONG POZI PAN SCREW	
28	219784	M5 X 8MM LONG BLACKODISED GRUB SCREW	
29	219010	M8 FORM A WASHER	
30	219658	M8 X 22MM LONG SOCKET BOLT	
31	208169	PG CONTROLLER (Trio+HD 100) (MK2)	
32	321407	HORN & LEAD ASSEMBLY	
33	221095	TERMINAL BLOCK (4 POLE X 6 WAY/TERMINALS)	
34	230102	FUSE HOLDER RATED AT 60 AMPS	
35	221091	20 AMP MAXI FUSE	
36	219005	M5 FORM G WASHER	
37	220033	M5 X 35MM LONG POZI PAN SCREW	
38	219045	M5 X 16MM LONG POZI PAN SEMS SCREW	
39	219206	M4 FORM A WASHER	
40	21990V	M4 X 20MM LONG POZI PAN SCREW	
41	219083	M4 NYLON INSERT NUT	
42	219016	M5 SHAKEPROOF WASHER	
43	219864	M5 X 8MM LONG POZI PAN SCREW	
44	208021	19MM (3/4 INCH) SNAP BUSHING	
45	219969	M10 X 1.5MM X 190MM LONG S/S THREADED BAR	
46	219951	A4 (STAINLESS STEEL) M10 HEX LOCK NUT (HALF NUT)	
47	219449	M10 FORM A WASHER	
48	219964	NYLON WASHER (18MM O/D X 10.4MM I/D X 3MM THICK)	
49	329863	BRUSH PRESSURE ADJUSTMENT BRACKET	
50	329850	RELEASE HANDLE	
51	391226	50MM LONG DIP MOULDED HANDLE COVER	
52	208023	LOBE KNOB M10 X 1.5MM X 50MM DIAMETER	
53	208104	STEERING WHEEL KNOB	
54	391195	PEDAL LATCH RELEASE ROD	
55	208030	COTTER PIN (2.4MM X 38.1MM)	
56	329888	STEERING COLUMN SPLASH GAURD	
57	208178	HOURS METER	
58	219500	M3 X 16MM LONG STAINLESS STEEL SLOT SCREW	
59	219502	M3 STAINLESS STEEL FULL NUT	

Numatic International Spare Parts

Model No: Vario Brush Deck / Lifting Link Assembly

234607
DRAWING: EXP-1035 ISS:A01
20/10/2008

NB: FOR WIRING SEE DRAWING: WD-0359



Numatic International Spare Parts

Model No: Vario Brush Deck / Lifting Link Assembly

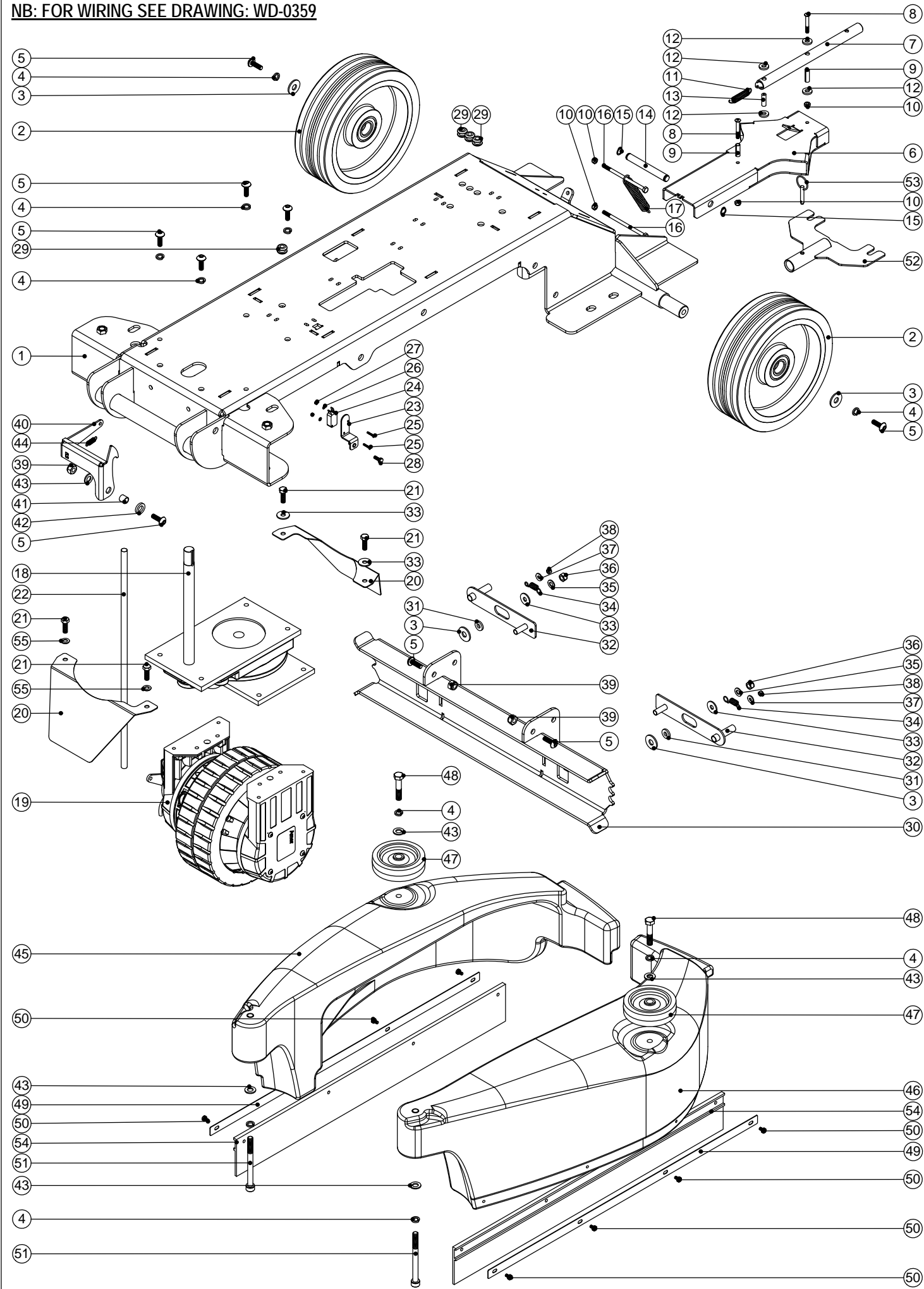
POS:	ITEM NO:	DESCRIPTION:	COMMENTS:
1	303794	BRUSH DECK PEDAL ARM WELDED ASSEMBLY	
2	329817	BRUSH DECK REAR LINK	
3	391210	15MM LONG SILICON TUBE	
4	391211	30MM LONG SILICON TUBE	
5	329816	BRUSH DECK CENTRE PIVOT	
6	404042	WELDED BRUSH DECK LEFT PIVOT (PAINTED ANTHRACITE GREY)	
7	404043	WELDED BRUSH DECK RIGHT PIVOT (PAINTED ANTHRACITE GREY)	
8	404037	RIGHTHAND BRUSH DECK WEIGHT (PAINTED ANTHRACITE GREY)	
9	404036	LEFTHAND BRUSH DECK WEIGHT (PAINTED ANTHRACITE GREY)	
10	321458	EMD BRUSH DRIVE MOTOR (LEADS EXTENDED 100MM)	
11	321459	EMD BRUSH DRIVE MOTOR (LEADS EXTENDED 400MM)	
12	321460	EMD BRUSH DRIVE MOTOR (LEADS EXTENDED 300MM)	
13	206966	CHUCK CASTING	
14	219523	GROOVED PIN	
15	219007	M6 FORM B WASHER	
16	206851	MOTOR MOUNTING SPACER	
17	219088	M6 NYLON INSERT NUT	
18	219534	M6 X 90MM LONG HEX BOLT	
19	219915	M6 X 80MM LONG STAINLESS STEEL HEXAGONAL HEAD BOLT	
20	208024	PUSH IN BARBED FASTENER	
21	206712	50MM DIAMETER BLACK WHEEL	
22	219449	M10 FORM A WASHER	
23	219589	M10 X 40MM LONG HEX BOLT	
24	219649	M10 NYLON INSERT NUT	
25	208032	6MM BULKHEAD CONNECTOR	
26	206981	BRUSH DECK PIVOT PIN	
27	208058	SHOULDERED BUSH - Ø12.9MM I/D	
28	219151	13MM EXTERNAL CIRCIIP	
29	219493	M6 NYLON WASHER	
30	329920	BRUSH DECK SPRING PIVOT BRACKET	
31	219701	M6 X 20MM LONG POZI PAN STAINLESS STEEL SCREW	
32	208050	BRUSH DECK ROTATION SPRING	
33	219843	6MM I/D X 9.5MM LONG SPIROL SPACER (STAINLESS STEEL)	
34	219056	M6 X 25MM LONG POZI PAN SCREW	
35	219587	15.39MM O/D X 5.16MM I/D X 15.88MM LONG NYLON SPACER	
36	219376	M5 X 40MM LONG POZI-COUNTERSUNK SCREW	
37	227587	CENTRE SWITCH OPERATING LEVER MOULDING	
38	219804	SWITCH COMPRESSION SPRING	
39	219005	M5 FORM G WASHER	
40	219076	M5 NYLON INSERT NUT	
41	206788	TERMINAL BLOCK	
42	219971	M5 X 35MM LONG HEXAGONAL HEAD SCREW	
43	219003	M5 FORM A STEEL WASHER	
44	208135	CHUCK DOME	
45	206957	DRIVE SYSTEM SPRING	
46	329922	BRUSH DECK TERMINAL SPLASH GAURD	
47	206980	PIVOT TUBE	
48	219302	M12 FORM B STAINLESS STEEL WASHER	
49	391194	PIVOT TUBE A	
50	219570	M10 X 70MM LONG HEX BOLT	
51	219012	M10 FORM E WASHER	
52	219948	M10 PENNY WASHER	
53	219822	M8 X 45MM LONG SOCKET BUTTON STAINLESS STEEL HEAD BOLT	
54	391191	LEVER PIVOT SPACER (S/S 10MM O/D 8MM I/D X 24MM LONG)	
55	219078	M8 NYLON INSERT NUT	
56	219341	M10 X 35MM LONG HEX BOLT	
57	329807	FOOT PEDAL HINGE BRACKET	
58	219911	PLASTIC WASHER	
59	303811	12.7MM DIAMETER X 18G X 20MM LONG STAINLESS STEEL TUBE	
60	391221	FOOT PEDAL GRIP PAD	
61	230097	AXIAL FERRITE BEAD	

Numatic International Spare Parts

Model No: Vario Chassis / Drive Motor Assembly

NB: FOR WIRING SEE DRAWING: WD-0359

234606
DRAWING: EXP-1034 ISS:A02
30/09/2009



Numatic International Spare Parts

Model No: Vario Chassis / Drive Motor Assembly

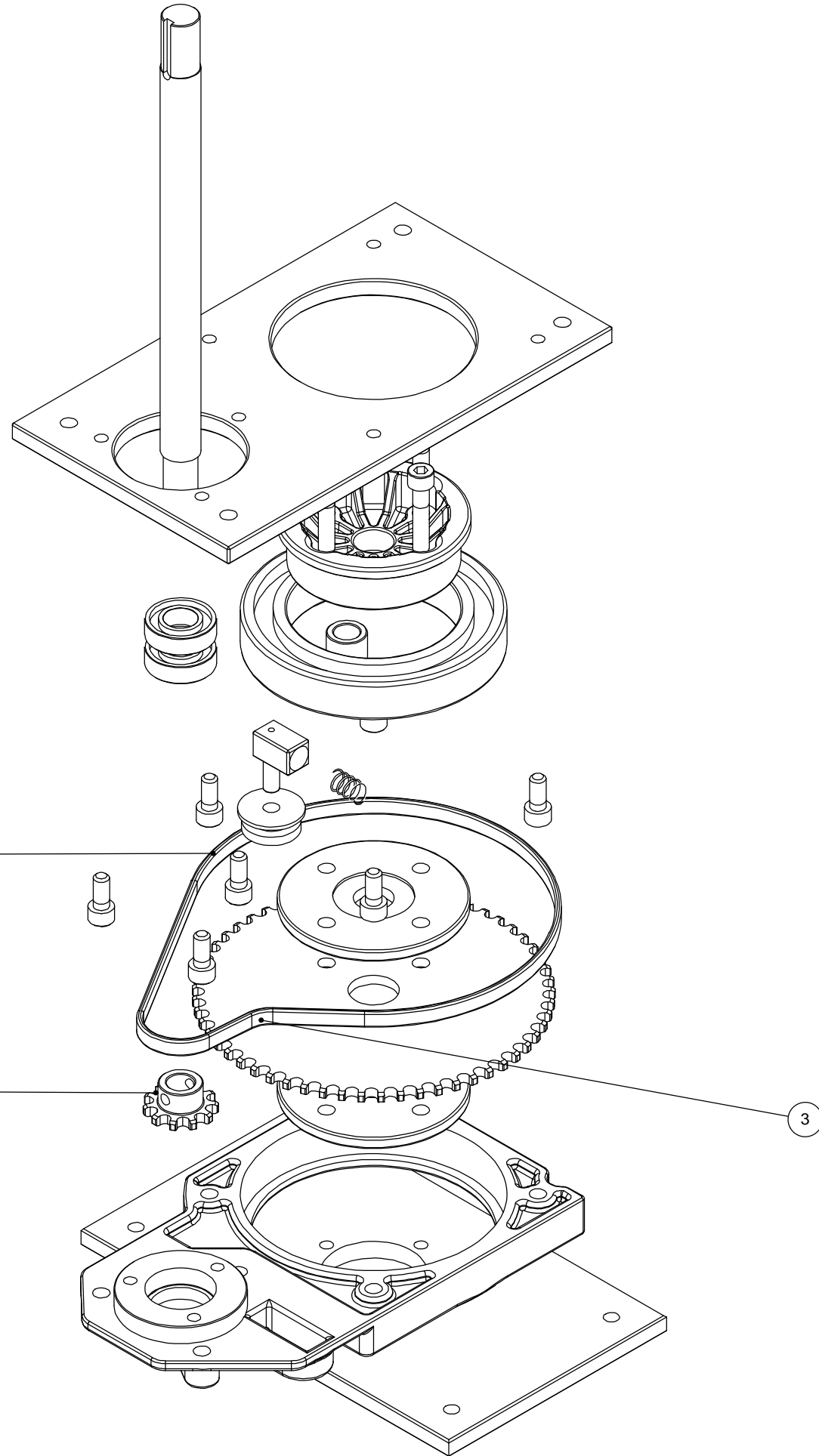
POS:	ITEM NO:	DESCRIPTION:	COMMENTS:
1	404038	CHASSIS WELDED ASSEMBLY (PAINTED ANTHRACITE GREY)	
2	206939	254MM DIAMETER WHEEL	
3	219948	M10 PENNY WASHER	
4	219349	M10 SINGLE COIL WASHER	
5	219910	M10 X 25MM LONG SOCKET BUTTON HEAD STAINLESS STEEL SCREW	
6	303797	TOP/BOTTOM LIFTING PLATE WELDED ASSEMBLY	
7	303799	PIVOT TUBE WELDED ASSEMBLY	
8	219807	M6 X 40MM LONG SOCKET BUTTON HEAD BOLT	
9	206954	SPIRO SPACER	
10	219642	M6 STAINLESS STEEL NYLON INSERT NUT	
11	206955	RETURN SPRING	
12	206964	SLIDE NYLON SPACER	
13	206963	VERTICAL NYLON SPACER	
14	206965	PIVOT AXLE	
15	219345	12MM EXTERNAL CIRCLIP	
16	219945	M6 X 110MM LONG HEXAGONAL HEAD BOLT ZINC PLATED	
17	20695V	SPRING	
18	206928	STEERING SYSTEM	
19	321450	MOTOR WHEEL & MODIFIED BRAKE LEAD ASSEMBLY	
20	329852	SPLASH GAURD	
21	219092	M8 X 25MM LONG HEX BOLT	
22	208091	PB15MM X 500MM LONG / SEALED ENDS / BLACK POLYESTER BRAIDING	
23	303841	NUTSERTED BRUSH DECK MICROSWITCH BRACKET	
24	229483	SNAP ACTION SWITCH	
25	219038	M3 X 16MM LONG SLOT SCREW	
26	219237	M3 FORM A WASHER	
27	219070	M3 NYLON INSERT NUT	
28	219045	M5 X 16MM LONG POZI PAN SEMS SCREW	
29	229025	STANDARD GROMMET	
30	303808	SIDE POD RUNNER WELDED ASSEMBLY	
31	219959	M8 PLASTIC WASHER	
32	303813	SIDE POD ADJUSTER BRACKET WELDED ASSEMBLY	
33	219716	M8 FORM G STAINLESS STEEL WASHER	
34	208079	EXTENSION SPRING	
35	219010	M8 FORM A WASHER	
36	219639	M8 STAINLESS STEEL NYLON INSERT NUT	
37	219005	M5 FORM G WASHER	
38	219076	M5 NYLON INSERT NUT	
39	219649	M10 NYLON INSERT NUT	
40	329849	BRUSH DECK FOOT PEDAL LATCH	
41	303810	12.7MM DIAMETER X 18G X 12.5MM LONG STAINLESS STEEL TUBE	
42	229346	SPACER	
43	219012	M10 FORM E WASHER	
44	208019	BRUSH PEDAL LATCH SPRING	
45	229834	RIGHT HAND SIDE POD MOULDING	
46	229835	LEFT HAND SIDE POD MOULDING	
47	329187	100MM WHEEL (MODIFIED)	
48	219968	M10 X 50MM LONG HEX HEAD BOLT Z/PL	
49	329843	SPLASH SKIRT FIXING STRIP	
50	219047	M5 X 10MM LONG POZI PAN SEMS SCREW	
51	219967	M10 X 110MM LONG SOCKET CAP SCREW	
52	303795	QUICK RELEASE TUBE/PLATE WELDED ASSEMBLY	
53	206953	DETENT PINS	
54	206947	SPLASH SKIRT	
55	219578	M8 FORM A STAINLESS STEEL WASHER	

Numatic International Spare Parts

Model No: Vario Motor Wheel Gearbox Assembly

234605
DRAWING: EXP-1033 ISS:A02
11/11/2008

NB: FOR WIRING SEE DRAWING: WD-0359



Numatic International Spare Parts

Model No: Vario Motor Wheel Gearbox Assembly

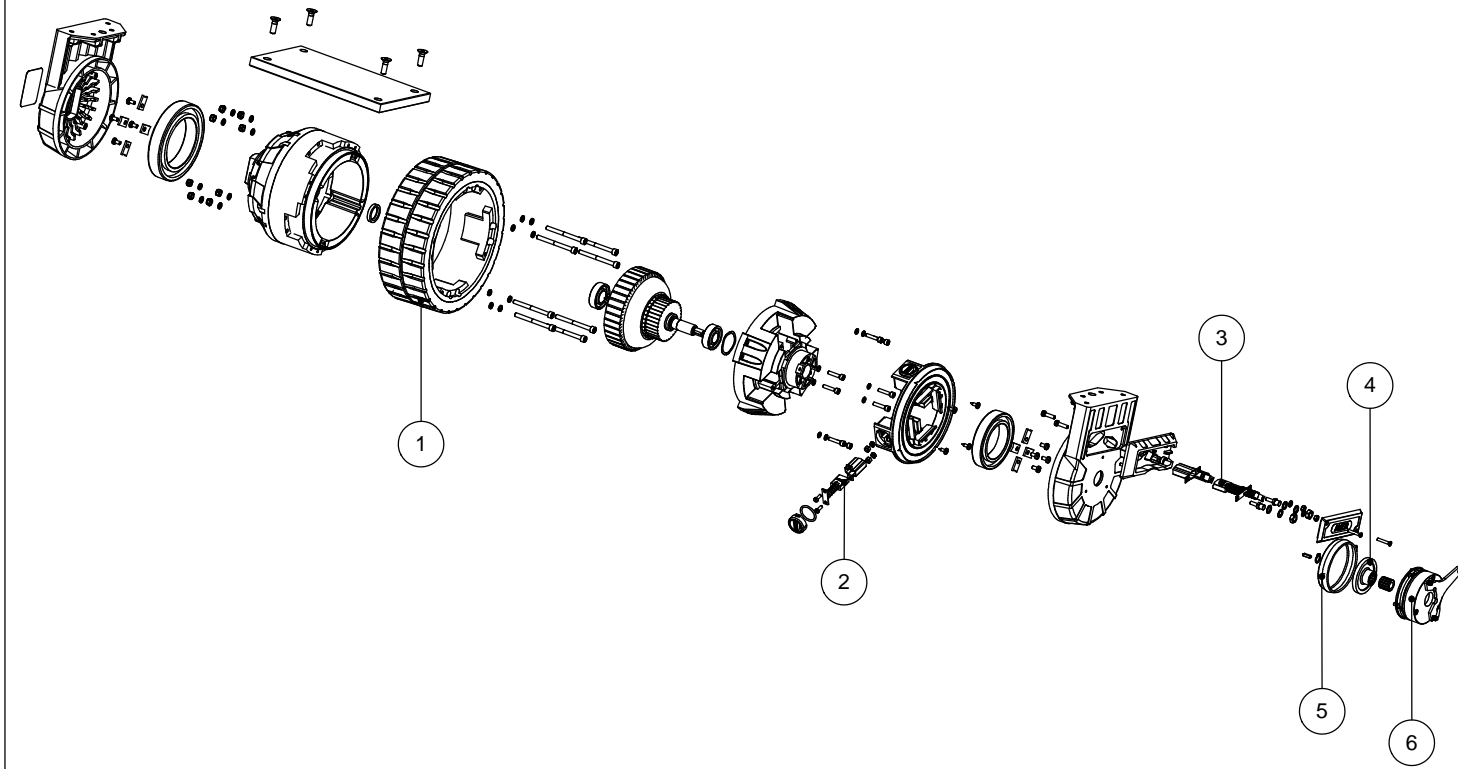
POS:	ITEM NO:	DESCRIPTION:	COMMENTS:
1	208151	PINION	
2	208152	STEERING CHAIN	
3	208153	STEERING CHAIN MASTER LINK	

Numatic International Spare Parts

Model No: Vario Motor Wheel & Brake Assembly

234604
DRAWING: EXP-1032 ISS:A02
05/01/2009

NB: FOR WIRING SEE DRAWING: WD-0359



Numatic International Spare Parts

Model No: Vario Motor Wheel & Brake Assembly

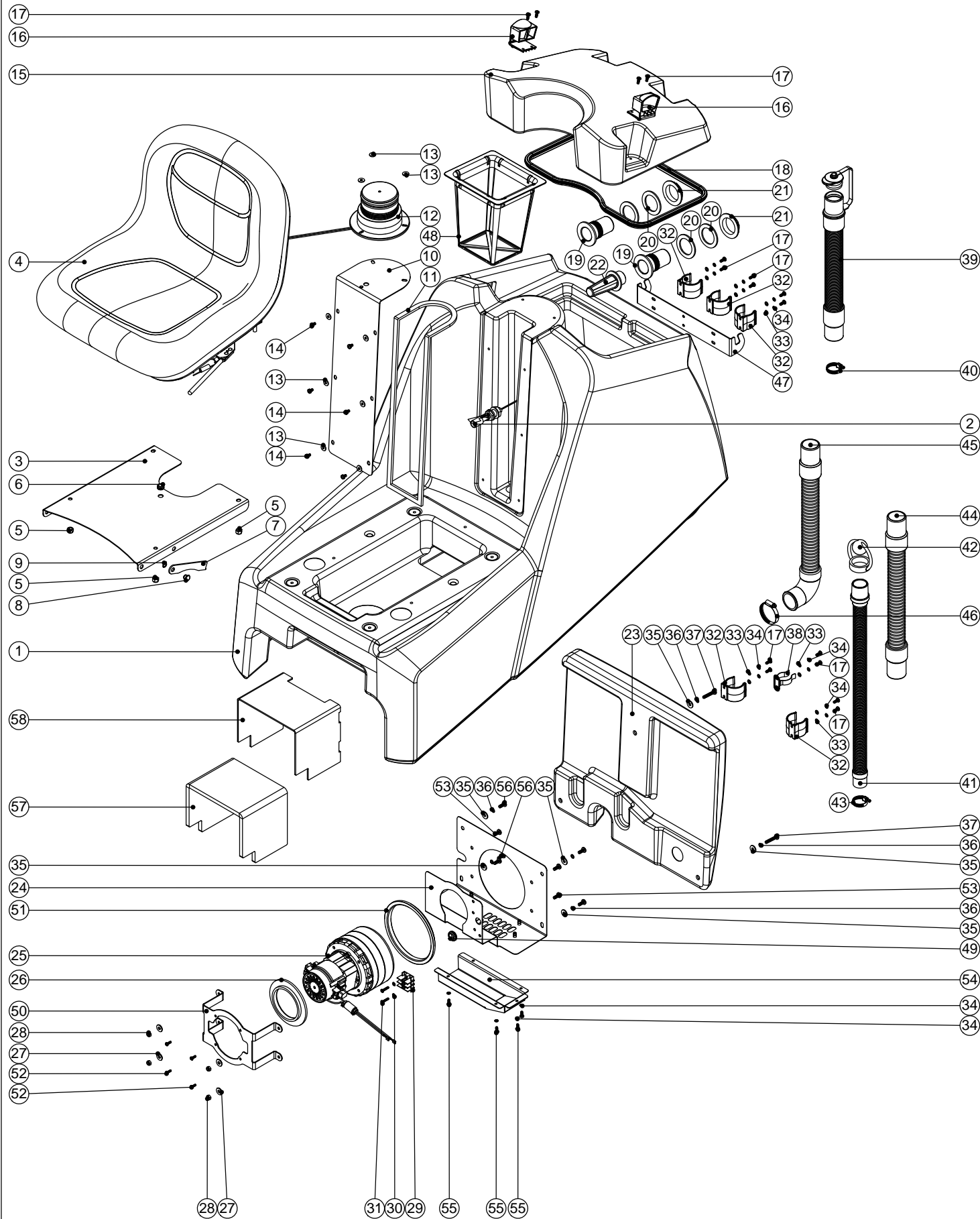
POS:	ITEM NO:	DESCRIPTION:	COMMENTS:
1	208145	WHEEL	
2	208146	ARMATURE BRUSH	
3	208147	MOTOR BRUSH	
4	208148	FRICTION DISC	
5	208149	RUBBER GASKET	
6	321506	MODIFIED ELECTRONICALLY RELEASED BRAKE C/W PINION & SCREWS	

Numatic International Spare Parts

Model No:Vario Top Tank/Light/Vac Pod & Hose Assembly

234612
DRAWING: EXP-1040 ISS:A07
29/04/2010

NB: FOR WIRING SEE DRAWING: WD-0359



Numatic International Spare Parts

Model No:Vario Top Tank/Light/Vac Pod & Hose Assembly

POS:	ITEM NO:	DESCRIPTION:	COMMENTS:
1	229837	TOP TANK MOULDING	
2	206944	FLOAT SWITCH	
3	329846	SEAT PLATE	
4	206934	MILSCO MID BACK SEAT	
	208163	OPERATOR PRESENCE SEAT SWITCH	NOT SHOWN SEPARATELY
5	219078	M8 NYLON INSERT NUT	
6	219680	GROMMET	
7	329894	SEAT PLATE LATCH	
8	206647	PIVOT BUSH	
9	219586	10MM EXTERNAL CIRCLIP	
10	303824	VARIO LIGHT BRACKET NUTSERTED ASSEMBLY	
11	212997	6MM X 12MM X 12METERS ROLL INSEAL	
12	321413	CURTIS MULTIVOTAGE XENON BEACON & LEAD ASSEMBLY	
	208164	LIGHT AMBER LENS	NOT SHOWN SEPARATELY
	208165	LIGHT BULB	NOT SHOWN SEPARATELY
	208166	LIGHT MOUNTING RING	NOT SHOWN SEPARATELY
13	219005	M5 FORM G WASHER	
14	219047	M5 X 10MM LONG POZI PAN SEMS SCREW	
15	229836	SEPARATOR MOULDING	
16	229494	CLIP MOULDING	
17	219049	M5 X 12MM LONG POZI PAN SCREW	
18	391209	1225MM LONG SEALING STRIP	
19	237018	38MM DRAIN HOSE CONNECTOR	
20	219310	RUBBER WASHER	
21	206116	BLACK NUT	
22	206265	BARREL FILTER	
23	229849	BATTERY BACK DOOR MOULDING	
24	303886	NUTSERTED 3 STAGE MOTOR PLATE	
25	303880	24V PERIPHERAL 3-STAGE VAC MOTOR & TERMINAL ASSEMBLY	
26	202008	MOTOR CAP GASKET	
27	219647	M6 FORM G STAINLESS STEEL WASHER	
28	219642	M6 STAINLESS STEEL NYLON INSERT NUT	
29	220114	2 WAY TERMINAL BLOCK	
30	219206	M4 FORM A WASHER	
31	21990V	M4 X 20MM LONG POZI PAN SCREW	
32	229762	HOSE CLIP MOULDING	
33	219003	M5 FORM A STEEL WASHER	
34	219016	M5 SHAKEPROOF WASHER	
35	219008	M6 FORM G WASHER	
36	219544	M6 SHAKEPROOF WASHER	
37	219268	M6 X 35MM LONG POZI PAN SCREW	
38	206818	HOSE CLIP	
39	213047	38MM X 470MM LONG 3:1 STRETCH HOSE C/W CAP & STRAP	
40	206209	A.B.A HOSE CLIP	
41	213025	600MM - 630MM LONG DUMP HOSE ASSEMBLY	
42	206111	HOSE CLOSURE	
43	219674	30/40MM DIAMETER STAINLESS STEEL JUBILEE CLIP	
44	208192	38MM FLOOR TOOL SUCTION HOSE (1900MM LONG)	
45	208191	38MM VAC SUCTION HOSE (1250MM LONG)	
46	219919	32MM-50MM STAINLESS STEEL HOSE CLIP	
47	329904	RIDE-ON SQUEEGEE STORAGE BRACKET	
48	206439	TANK FILTER	
49	219631	19MM GROMMET	
50	329987	MOTOR BRACKET	
51	237032	>TPE< 3 STAGE MOTOR GASKET	
52	219569	No8 X 1/2 INCH LONG POZI PAN STAINLESS STEEL PLASTITE SCREW	
53	219646	M6 X 16MM LONG POZI PAN STAINLESS STEEL SCREW	
54	329989	SILENCER BOX	
55	219740	M5 X 12MM LONG STAINLESS STEEL POZI PAN SCREW	
56	219618	M6 X 16MM LONG POZI PAN SCREW	
57	208274	SILENCER FOAM	
58	392019	SILENCER SHROUD	