

# Hydromist 20HD Parts List

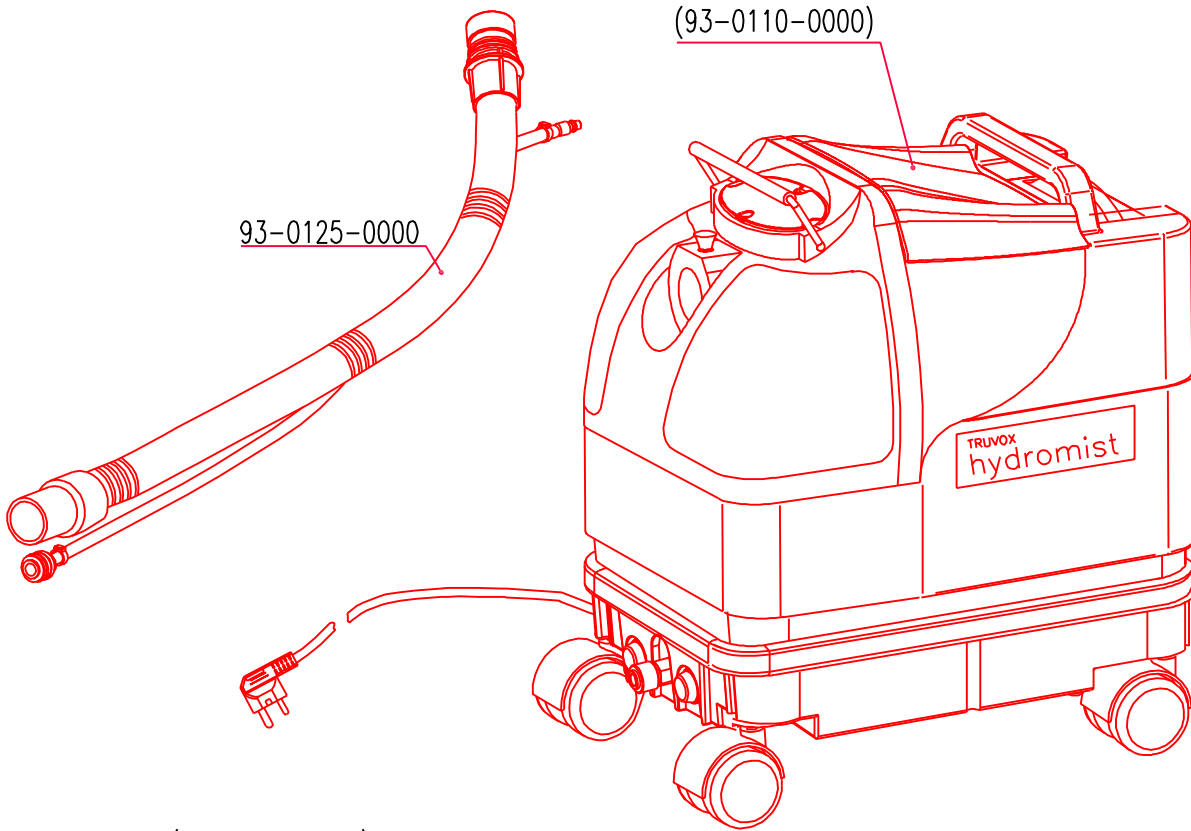
Model Ref.: HM20HD Series B

Service Parts List Issue 2

23rd March 2010

Part No.	Description	Qty
93-0001-0000	Label (Vacuum)	1
93-0002-0000	Label (Spray)	1
93-0007-0000	Suppressor wiring	1
93-0008-0000	Diaphragm Pump 230v 40W	1
93-0009-0000	Brown wire connection	1
93-0014-0000	Vacuum motor	1
93-0021-0000	Water feed hose coupling flat washer	1
93-0025-0000	Bumper strip	1
93-0028-0000	Switch (Pump / Vacuum)	2
93-0182-0000	Exhaust moulding (Black RAL9005)	1
93-0042-0000	Mains lead fitted with UK Plug	1
93-0045-0000	Diaphragm pump hose	2
93-0057-0000	Straight water feed connection	1
93-0058-0000	Water feed hose coupling	1
93-0183-0000	Solution tank cover (Black RAL9005)	1
93-0184-0000	Base moulding top cover (Black RAL9005)	1
93-0185-0000	Base moulding bottom cover (Black RAL9005)	1
93-0106-0000	Airflow inlet pipe	1
93-0119-0000	Hydromist Base moulding fastener kit	1
93-0121-0000	20 Litre castor kit (4off castors)	1
93-0127-0000	Diaphragm Pump Motor	1
93-0150-0000	HM10HD and HM20HD Wiring kit	1
93-0141-0000	Metal floor tool with stainless steel tube	1
<b>93-0103-0000</b>	<b>Recovery tank lid assembly (Includes the following parts)</b>	<b>1</b>
93-0084-0000	Recovery tank lid filter shaft	1
93-0085-0000	Recovery tank lid gauze 5/10E stainless steel	1
93-0086-0000	Recovery tank lid foam float	1
93-0087-0000	Recovery tank lid M5 Nylon nut	1
93-0095-0000	Recovery tank lid	1
93-0097-0000	Recovery tank lid gasket	1
<b>93-0102-0000</b>	<b>20 Litre Recovery tank assembly (Includes the following parts)</b>	<b>1</b>
03-7874-0000	Recovery tank inlet cover	1
03-7893-0000	Recovery tank inlet cover seal	1
93-0071-0000	M5x14 F ZN Screw	4
93-0089-0000	Vacuum hose securing pin	1
93-0094-0000	20 Litre Recovery tank	1
93-0107-0000	Recovery tank handle assembly	1
<b>93-0188-0000</b>	<b>20 Litre Solution tank assembly (Includes the following parts)</b>	<b>1</b>
93-0022-0000	Solution tank filter	1
93-0076-0000	Plastic elbow coupling 1/4 BSPT	1
93-0189-0000	20 Litre Solution tank (Black RAL9005)	1
93-0112-0000	Hydromist Label	2
<b>93-0113-0000</b>	<b>Vacuum motor holder assembly (Includes the following parts)</b>	<b>1</b>
93-0020-0000	Rubber washer D.142x78mm EP.4mm	1
93-0030-0000	Vacuum motor holder and gasket	1
<b>93-0125-0000</b>	<b>Hydromist 3m hose assembly (Includes the following parts)</b>	<b>1</b>
93-0027-0000	3m Vacuum hose assembly	1
93-0066-0000	3m Spray hose assembly	1
93-0074-0000	Velcro strap 3off	1

**Truvox International Ltd.,**  
 Third Avenue, Millbrook,  
 Southampton. Hampshire.  
 SO15 0LE.  
 Service & Spares: 023 80706601  
 Customer Services: 023 80706600  
 General Enquiries: 023 80702200

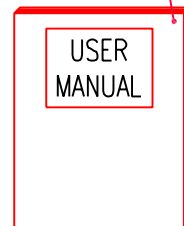
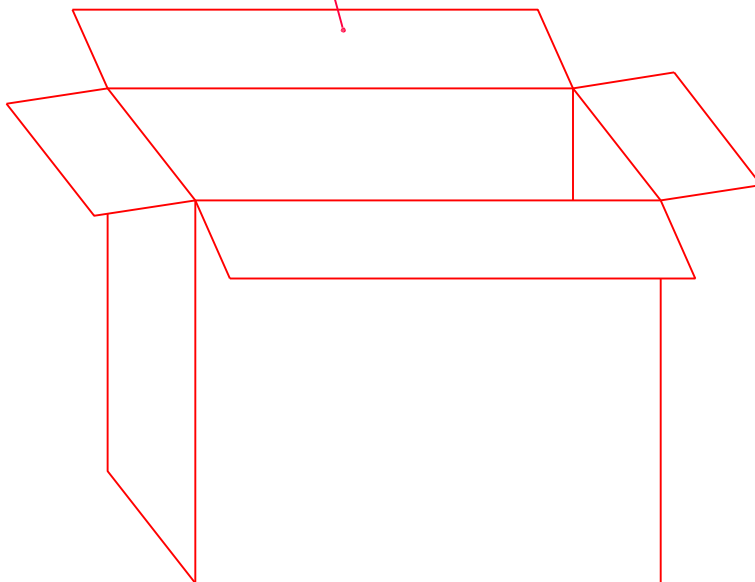


93-0125-0000

(93-0110-0000)

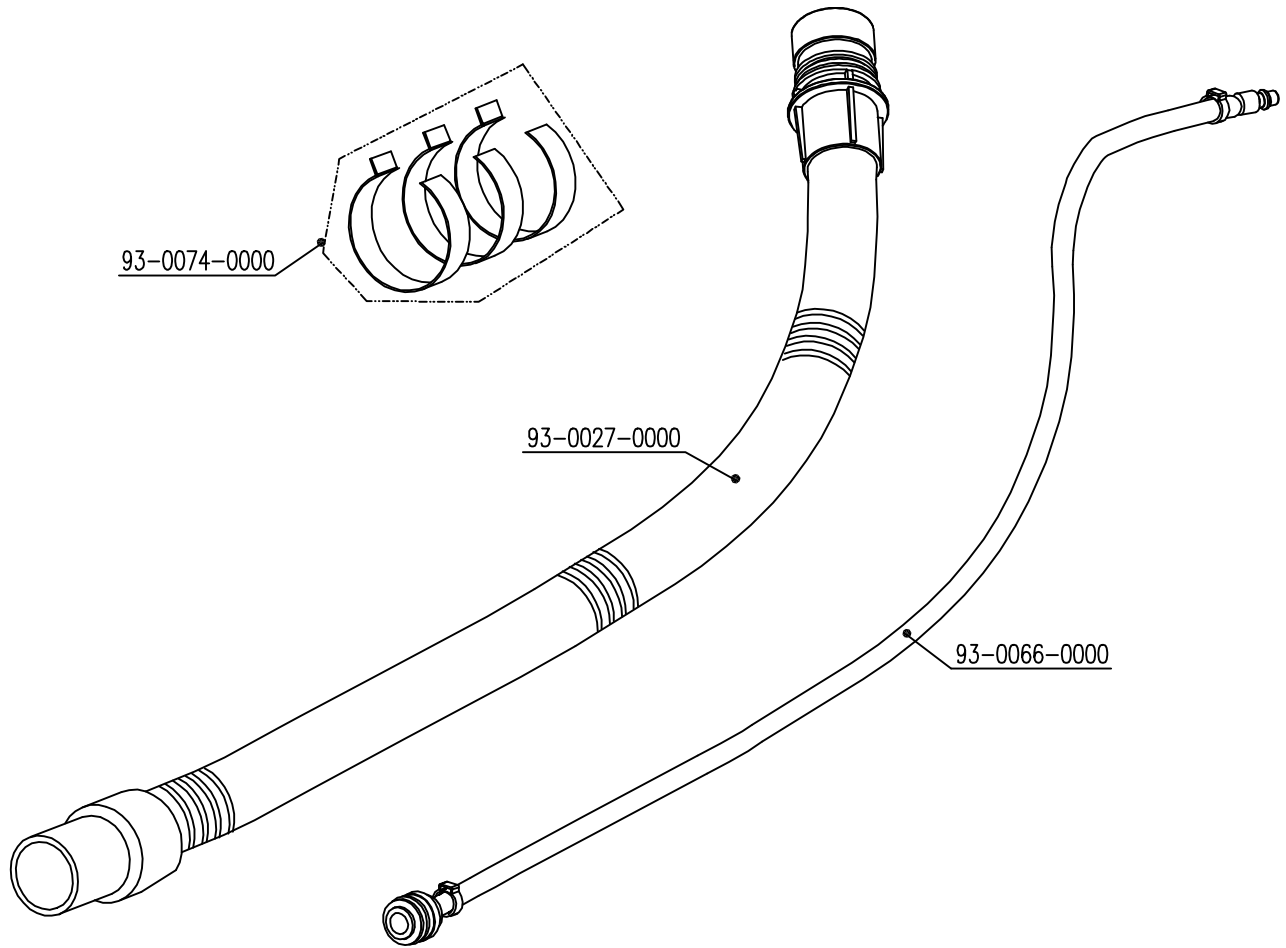
(93-0064-0000)

(03-8015-0000)



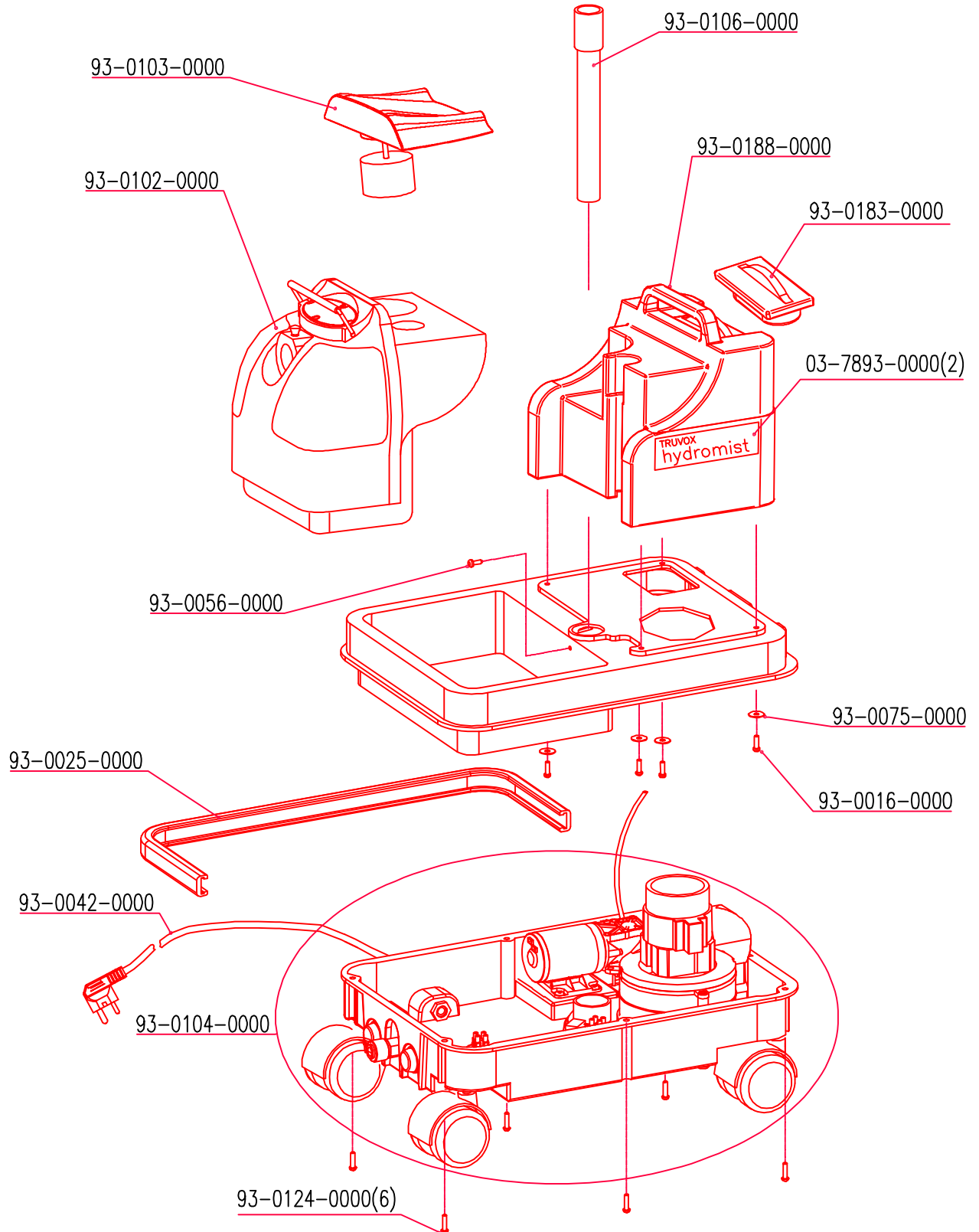
					SCALE	NTS	TITLE	HYDROMIST HM20HD		
					CHECKED	M.D.C.	PRODUCT	DRAWING/PART No		SHEET 1 OF
10.11.05		A	NEW DRAWING	MC	MC	DRN	HM20HD	HM20HD	A4	1 SHEETS
DATE	CRO No	ISS	REVISION RECORD	DR	CHK	M.D.C.				

**Truvox International Ltd.,**  
 Third Avenue, Millbrook,  
 Southampton. Hampshire.  
 SO15 0LE.  
 Service & Spares: 023 80706601  
 Customer Services: 023 80706600  
 General Enquiries: 023 80702200



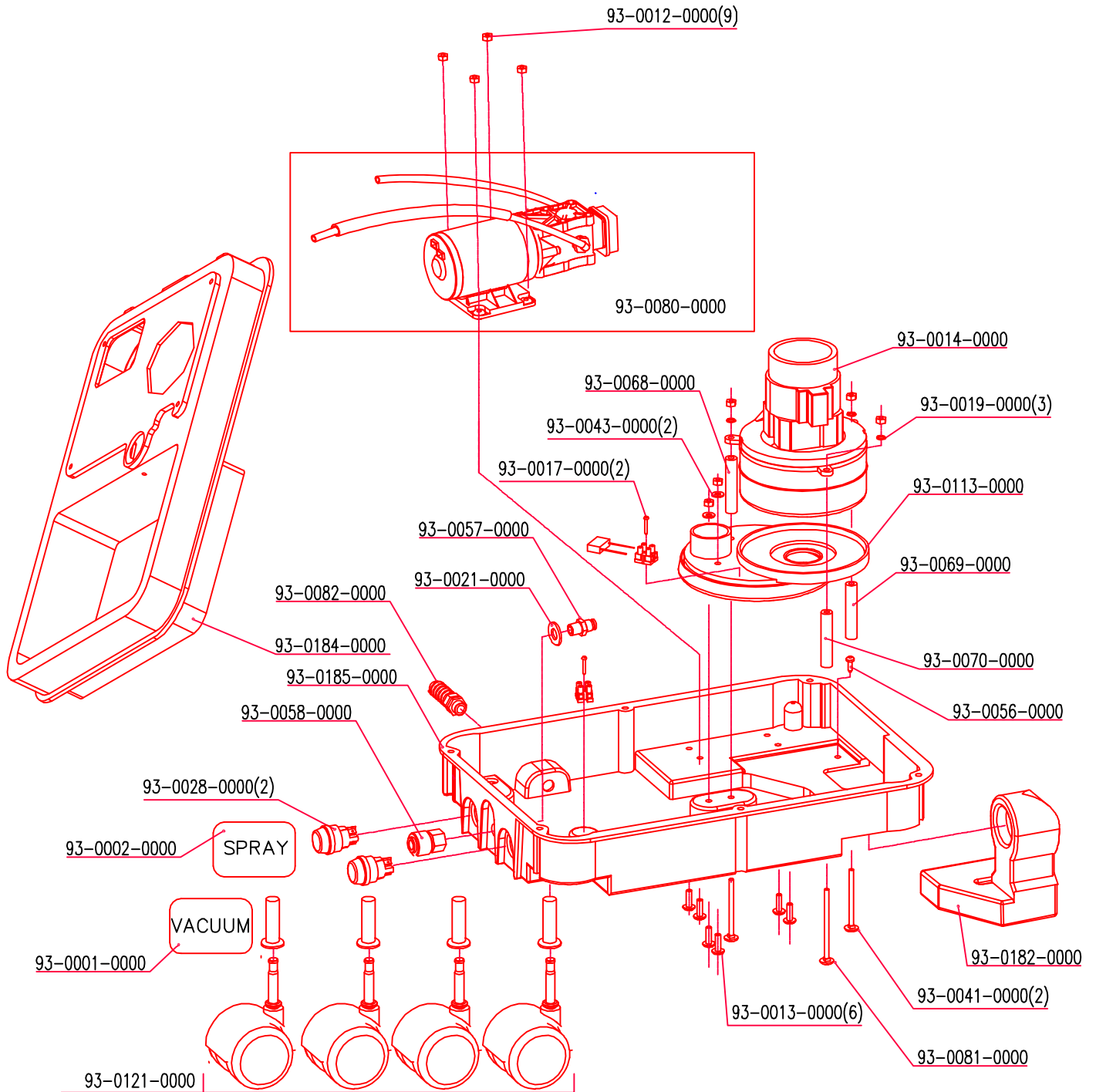
					SCALE	NTS	TITLE			
					CHECKED	M.D.C.	HYDROMIST 3M HOSE ASSEMBLY			
10.11.05		A	NEW DRAWING	MC	MC	DRN	PRODUCT	DRAWING/PART No	A4	SHEET 1 OF 1 SHEETS
DATE	CRO No	ISS	REVISION RECORD	DR	CHK	M.D.C.	HM10,10HD & 20HD	93-0125-0000		

Truvox International Ltd.,  
 Third Avenue, Millbrook,  
 Southampton. Hampshire.  
 SO15 0LE.  
 Service & Spares: 023 80706601  
 Customer Services: 023 80706600  
 General Enquiries: 023 80702200



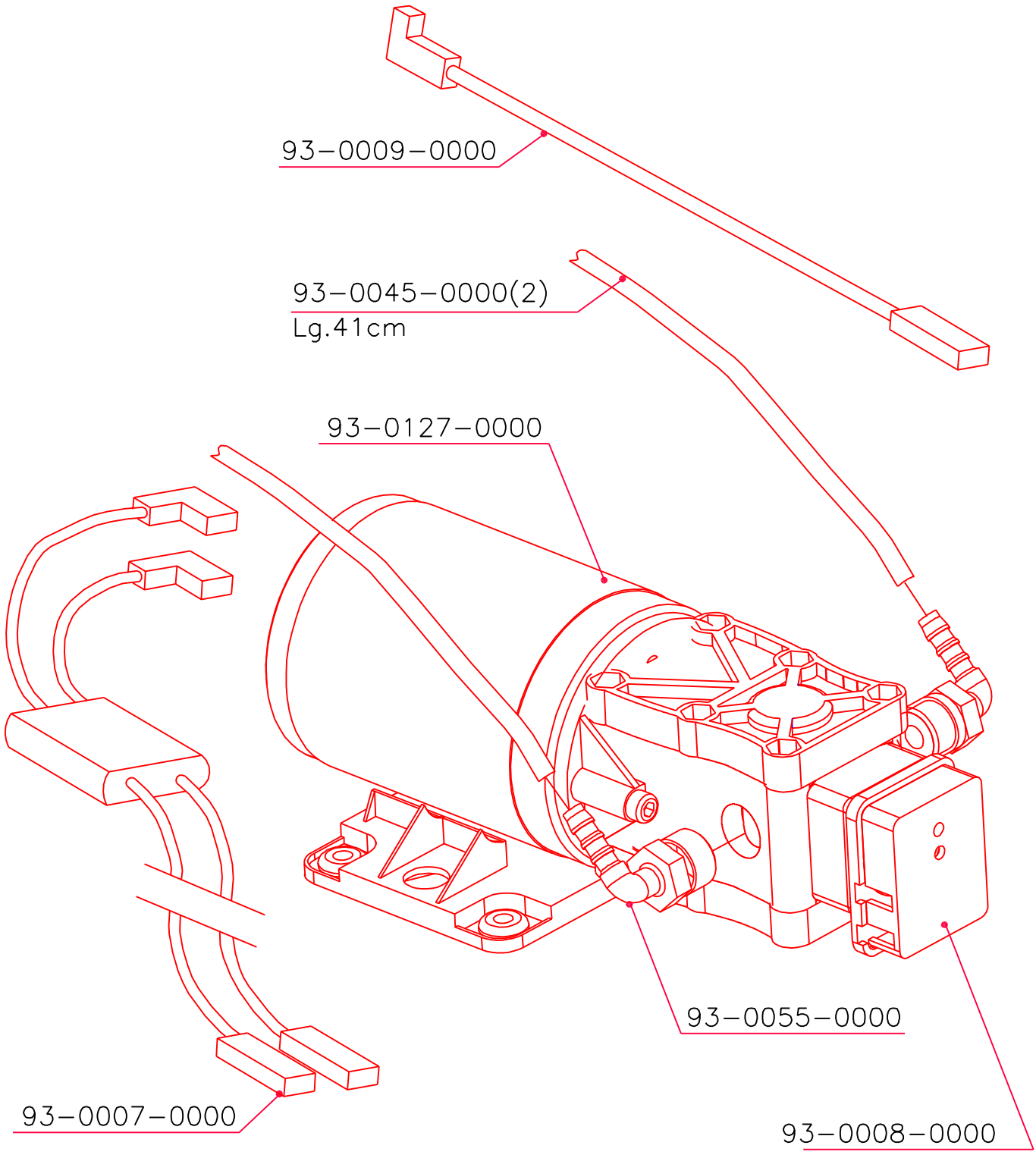
					SCALE	TITLE				
					NTS	BASIC UNIT 20L ES PUMP 230V				
23.03.10		B	COLOUR CHANGE	MC	MC	CHECKED	PRODUCT	DRAWING/PART No	A4	SHEET 1 OF 1 SHEETS
10.11.05		A	NEW DRAWING	MC	MC	M.D.C.	HM20HD	93-0110-0000		
DATE	CRO No	ISS	REVISION RECORD	DR	CHK	DRN				
						M.D.C.				

Truvox International Ltd.,  
 Third Avenue, Millbrook,  
 Southampton. Hampshire.  
 SO15 0LE.  
 Service & Spares: 023 80706601  
 Customer Services: 023 80706600  
 General Enquiries: 023 80702200



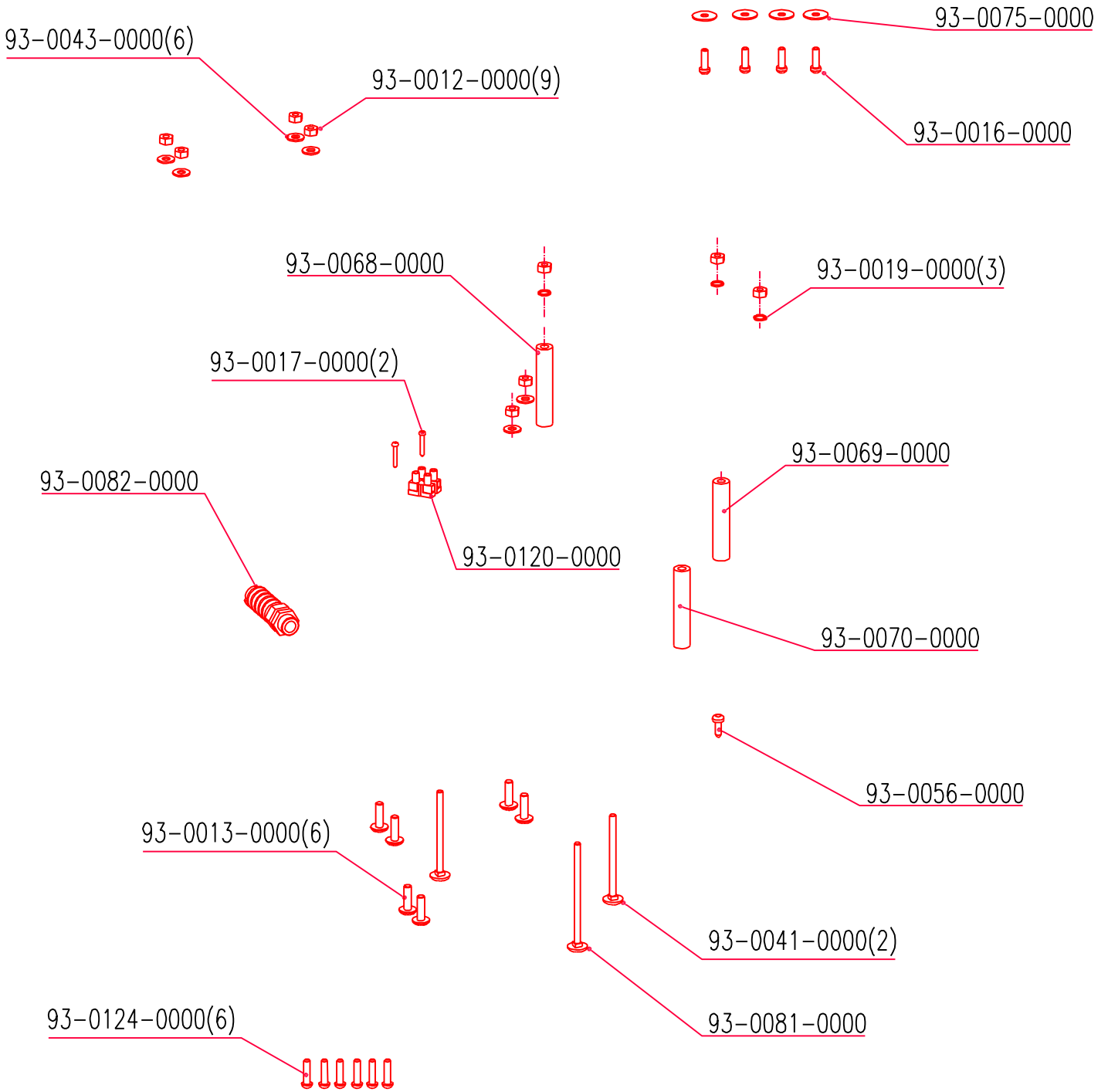
					SCALE NTS	TITLE BASE HYDROMIST 20 L ASS.			
23.03.10		B	COLOUR CHANGE	MC	MC	CHECKED M.D.C.	PRODUCT HM20HD	DRAWING/PART No 93-0104-0000	A4 SHEET 1 OF 1 SHEETS
10.11.05		A	NEW DRAWING	MC	MC	DRN M.D.C.			
DATE	CRO No	ISS	REVISION RECORD	DR	CHK				

Truvox International Ltd.,  
 Third Avenue, Millbrook,  
 Southampton. Hampshire.  
 SO15 0LE.  
 Service & Spares: 023 80706601  
 Customer Services: 023 80706600  
 General Enquiries: 023 80702200

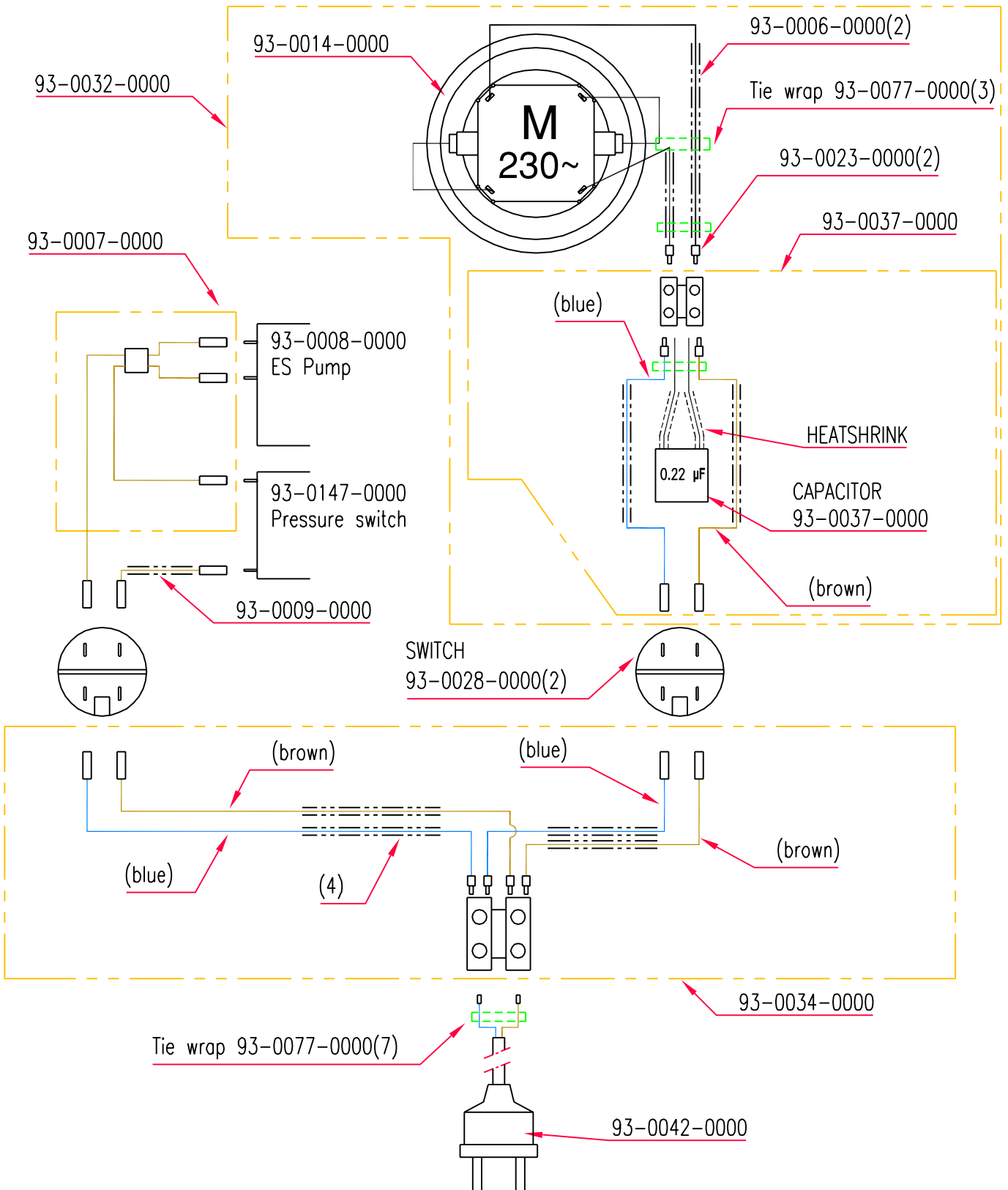


					SCALE	TITLE					
					NTS	COMPLETE PUMP ES95 145 230V					
					CHECKED	PRODUCT		DRAWING/PART No		A4	SHEET 1 OF 1 SHEETS
10.11.05		A	NEW DRAWING	MC	M.D.C.	HM10HD & HM20HD		93-0080-0000			
DATE	CRO No	ISS	REVISION RECORD	DR	CHK	DRN					
						M.D.C.					

Truvox International Ltd.,  
 Third Avenue, Millbrook,  
 Southampton. Hampshire.  
 SO15 0LE.  
 Service & Spares: 023 80706601  
 Customer Services: 023 80706600  
 General Enquiries: 023 80702200



					SCALE NTS	TITLE HYDROMIST BASE MOULDING FASTENER KIT		
					CHECKED M.D.C.	PRODUCT	DRAWING/PART No	A4 SHEET 1 OF 1 SHEETS
10.11.05		A	NEW DRAWING	MC MC	DRN M.D.C.	HM10,10HD & 20HD	93-0119-0000	
DATE	CRO No	ISS	REVISION RECORD	DR	CHK			



				SCALE NTS	TITLE HYDROMIST HM10HD & 20HD WIRING KIT			
				CHECKED M.D.C.	PRODUCT HM10HD & 20HD			
10.11.05	A	NEW DRAWING	MC MC	DRN	DRAWING/PART No 93-0150-0000		A4	SHEET 1 OF 1 SHEETS
DATE	CRO No	ISS	REVISION RECORD	DR	CHK			