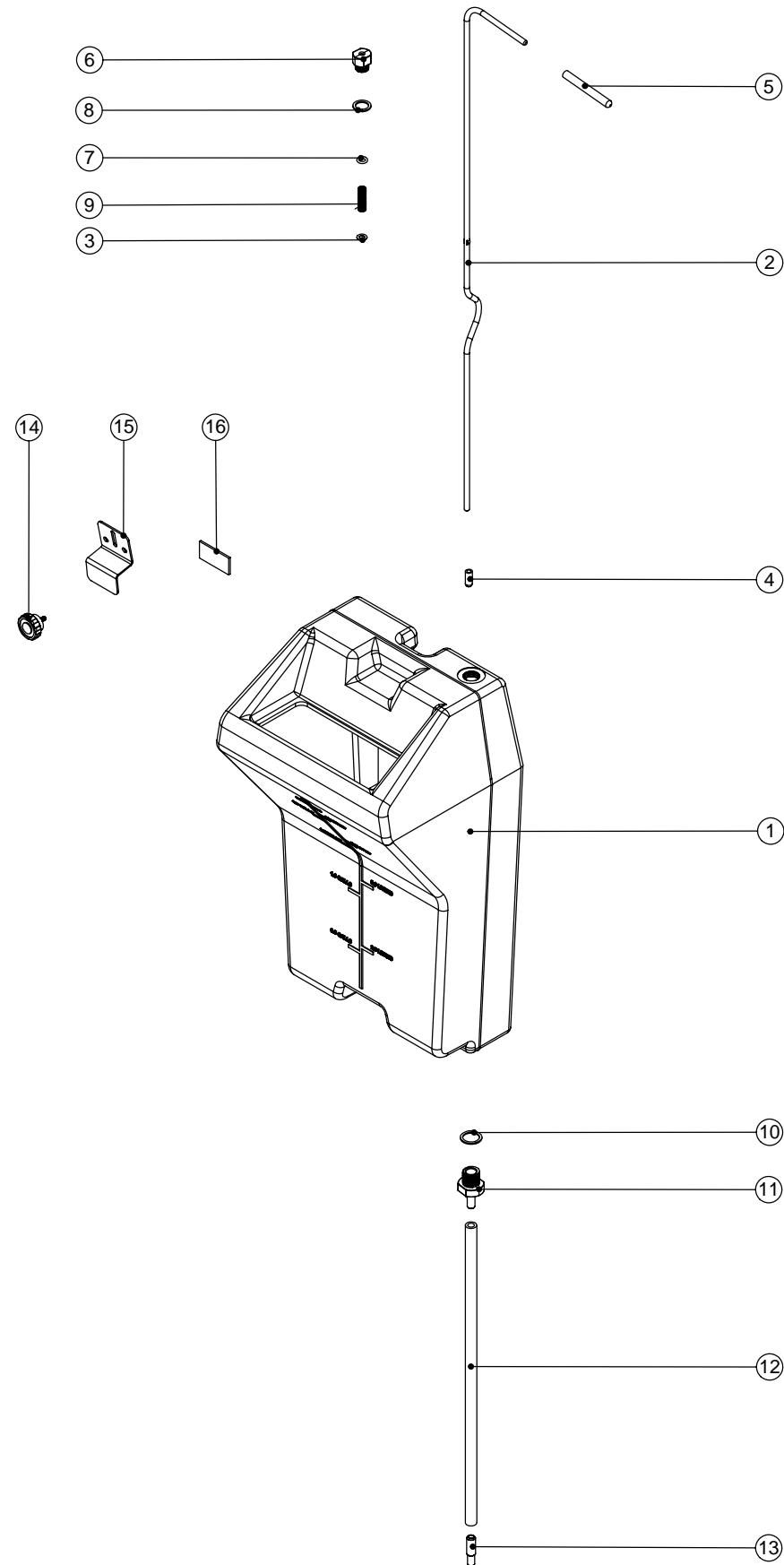


Numatic International Spare Parts

Model No: NR / NS SOLUTION TANK

234545
DRAWING: EXP-0974 ISS:A01
26/07/2007

NB: FOR WIRING SEE DRAWING: WD-????



Numatic International Spare Parts

Model No: NR / NS SOLUTION TANK

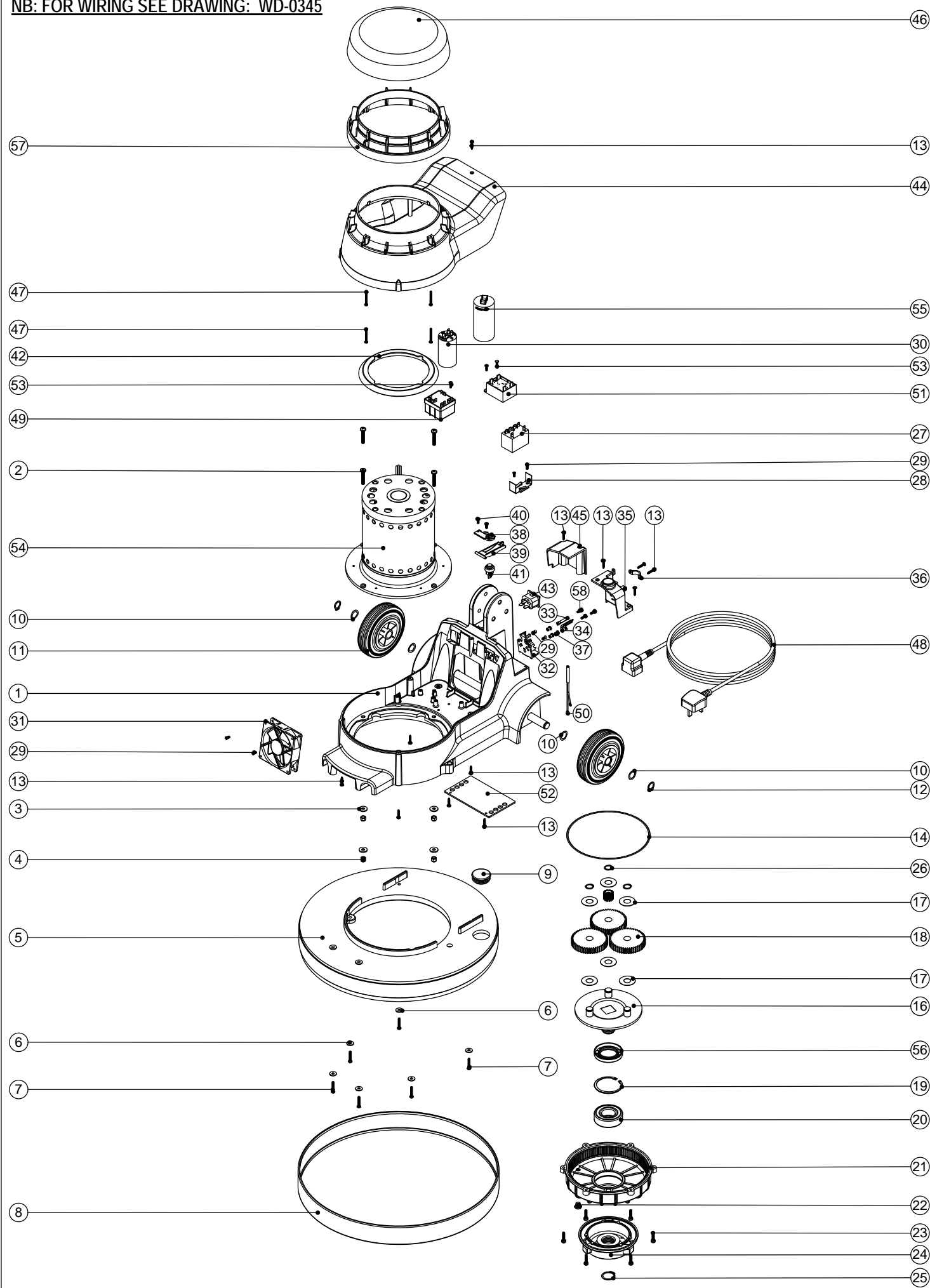
POS:	ITEM NO:	DESCRIPTION:	COMMENTS:
1	229109	SOLUTION TANK (LARGE)	TANK LENGTH 500 mm
1	229460	SOLUTION TANK (SMALL)	TANK LENGTH 390 mm
2	229504	PULL HANDLE (NS LARGE TANK) MK2	
2	229503	PULL HANDLE (NS SMALL TANK) MK2	
3	219560	M6 FORM B STAINLESS STEEL WASHER	
4	229006	END TIP	
5	229007	ROD CAP	
6	229093	TOP FITTING	
7	229082	O RING	
8	206908	RUBBER WASHER 21.5MM O/D X 16MM I/D	
9	229130	SPRING	
10	206907	RUBBER WASHER 25.5MM O/D X 20MM I/D	
11	229094	BOTTOM FITTING	
12	303694	430MM LONG SOLUTION TUBE	
13	229092	TUBE CONNECTOR	
14	219141	M5 SOLUTION TANK KNOB	
15	329240	SOLUTION TANK BRACKET	
16	229261	FOAM CLAMP PAD	

Numatic International Spare Parts

Model No: NR 1500S Base Assembly

NB: FOR WIRING SEE DRAWING: WD-0345

234486
DRAWING: EXP-0917 ISS: A12
26/08/2009



Numatic International Spare Parts

Model No: NR 1500S Base Assembly

POS:	ITEM NO:	DESCRIPTION:	COMMENTS:
1	338580	PRINTED GRAPHITE BASE MOULDING SUB ASSEMBLY C/W M8 MULTISERT	
2	219268	M6 X 35MM LONG POZI PAN SCREW	
3	219008	M6 FORM G WASHER	
4	219088	M6 NYLON INSERT NUT	
5	329110	GREY SANDING DECK	
6	219005	M5 FORM G WASHER	
7	219369	No8 X 1 INCH LONG POZI PAN STAINLESS STEEL PLASTITE SCREW	
8	206478	GREY MEDIUM BUFFER RING	
9	229400	BLACK END STOP	
10	219219	21.5MM X 16.3MM WAVE WASHER	
11	229060	WHEEL GREY BLACK HUB	
12	229051	EXTERNAL CIRCLIP	
13	219914	NO6 X 5/8 INCH LONG POZI-PAN PLASTITE STAINLESS STEEL SCREW	
14	230001	V OIL SEAL	
15	230027	12 TOOTH PINION GEAR (STANDARD SPEED)	
16	230291	PLANET CARRIER & PIN ASSEMBLY (50HZ STANDARD SPEED)	
17	230215	35MM X 15 I/D ALUMINIUM WASHER	
18	230013	48 TOOTH SPUR GEAR(STANDARD SPEED 50/60HZ)	
19	230200	62MM INTERNAL CIRCLIP	
20	230094	62MM O/D X 30MM I/D X 20MM BEARING (WITH SEALS)	
21	230060	BOTTOM PLATE WITH MACHINED GEAR TEETH	
22	219801	GEAR BOX OIL PLUG	
23	219820	M5 X 20MM LONG SOCKET CAP SCREW	
24	230059	DIE CAST CHUCK	
25	230048	26MM EXTERNAL CIRCLIP	
26	230015	15MM EXTERNAL CIRCLIP	
27	206575	240V / 25A RELAY	
28	206500	RELAY BRACKET	
29	219651	M4 X 10MM LONG POZI PAN THREAD CUTTING SCREW	
30	220876	20 MFD MOTOR RUN CAPACITOR (450V)	
31	205072	PROCESSED 12V DC BRUSHLESS FAN	
32	216288	TERMINAL BLOCK	
33	206562	CONTACT PIN	
34	206563	EARTH CONTACT PIN	
35	206865	16A INPUT COVER C/W WINDOW PLUG	
36	216290	CABLE CLAMP	
37	219009	M4 BRASS TAPPEX INSERT	
38	216293	LEVER PLATE	
39	216292	CUT OUT LEVER	
40	219677	No4 X 10MM LONG POZI PAN PLASTITE SCREW	
41	229454	HANDLE SWITCH	
42	227556	TOP MOTOR GASKET	
43	220964	APPLIANCE OUTPUT SOCKET	
44	229441	FLOOR MACHINE MIDDLE SECTION MOULDING	
45	216291	OUTPUT COVER	
46	328112	NU SPEED TOP SECTION MOULDING PRINTED	
47	219848	NO6 X 1 3/8 INCH LONG POZI PAN SCREW	
48	236072	MAINS CABLE (15.0 METERS / 1.5MM / 3 CORE CABLE / SOCKET + UK PLUG)	
	236136	MAINS CABLE (15.0 METERS / 1.5MM / 3 CORE YELLOW CABLE / SOCKET + EURO PLUG)	
	236087	MAINS CABLE (15.0 METERS / 1.5MM / 3 CORE CABLE / SOCKET + AUSTRALIAN PLUG)	
	236078	MAINS CABLE (15.0 METERS / 1.5MM / 3 CORE CABLE / SOCKET + SWISS PLUG)	
	236081	MAINS CABLE (15.0 METERS / 1.5MM / 3 CORE CABLE / SOCKET + SOUTH AFRICAN PLUG)	
49	206823	230V VOLTAGE RELAY	
50	321193	AC LED WITH TERMINALS	
51	206753	UNIVERSAL POWER SUPPLY	
52	329228	GAURD PLATE	
53	219318	No6 X 1/2 INCH LONG POZI PAN PLASTITE SCREW	
54	205217	COMBINED INDUCTION MOTOR 4POLE 220-240V 50Hz	
55	208265	MOTOR START CAPACITOR 100 MFD C/W RESISTOR & M8 STUD	
56	230158	VITON OIL SEAL (BROWN)	
57	229486	GREY TALL MOTOR INSERT MOULDING	
58	219471	M4 X 12MM LONG POZI PAN SEMS SCREW	