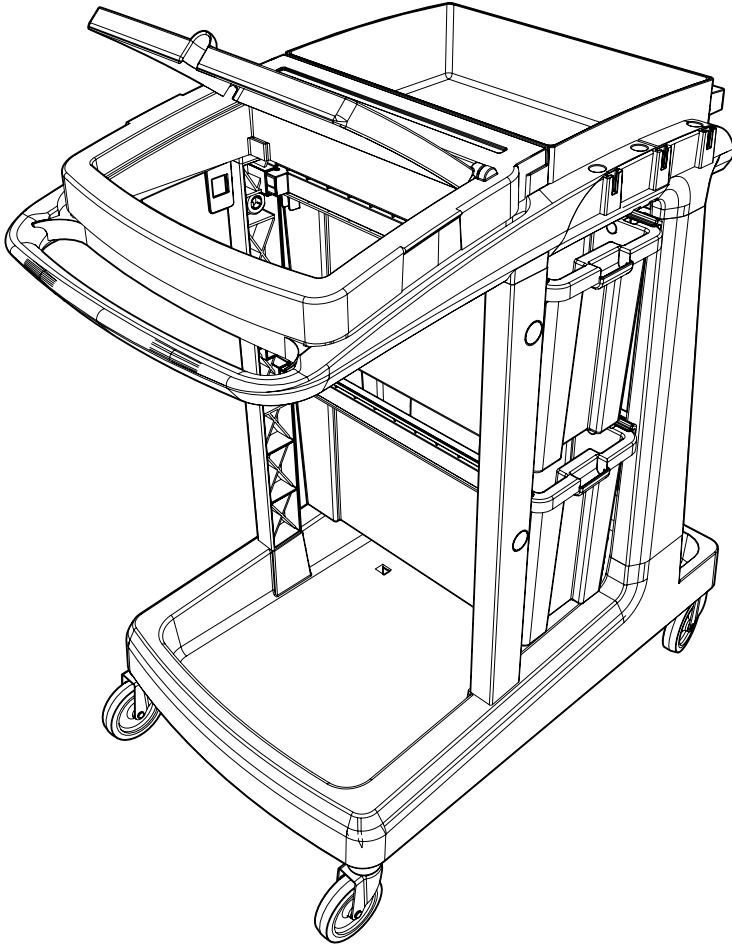


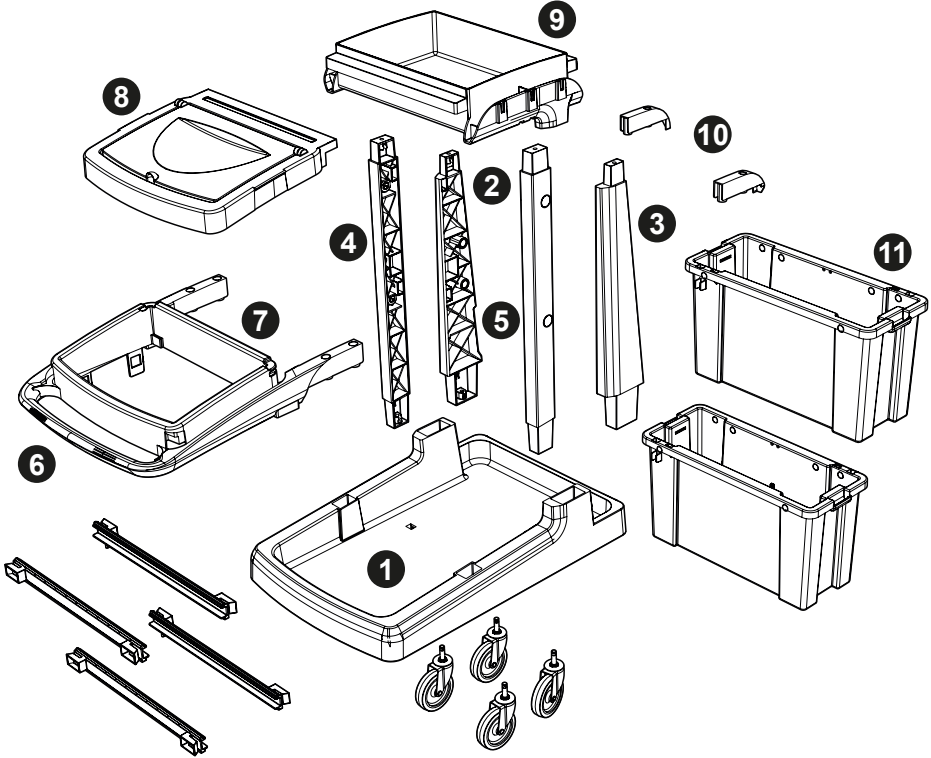
EcoMatic EM-2

Trolley Assembly



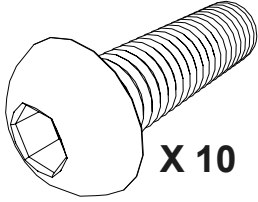


0.25 HR

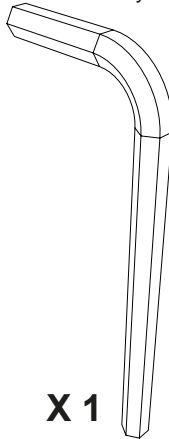


| Item | Description | Qty |
|------|--------------------------------|-----|
| 1 | Ecomatic short reflo base | 1 |
| 2 | Rear right hand reflo upright | 1 |
| 3 | Rear left hand reflo upright | 1 |
| 4 | Front right hand reflo upright | 1 |
| 5 | Front left hand reflo upright | 1 |
| 6 | Reflo bag frame | 1 |
| 7 | Reflo bag securing frame | 1 |
| 8 | Lid moulding | 1 |
| 9 | Reflo tray | 1 |
| 10 | Ecomatic cover moulding | 2 |
| 11 | Narrow reflo storage box | 2 |

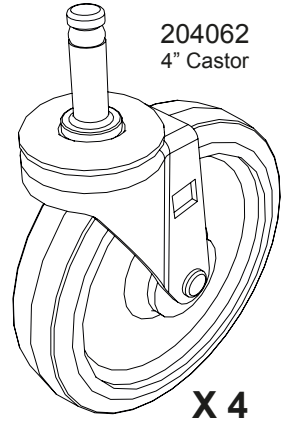
219555
M8 25mm Socket Bolt



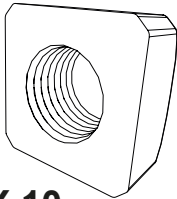
219554
Allen Key



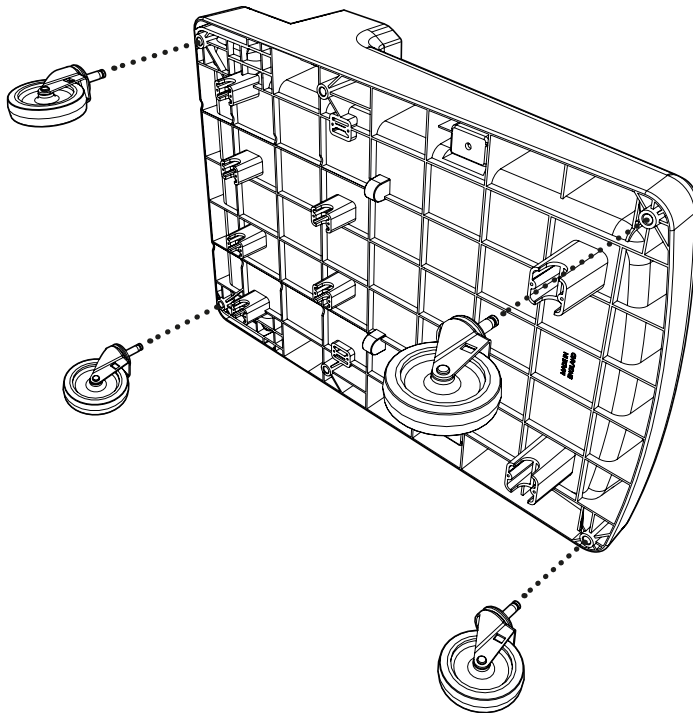
204062
4" Castor



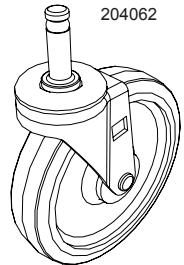
909372
M8 Square Nut



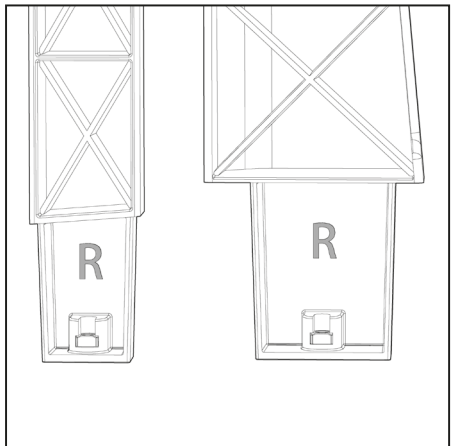
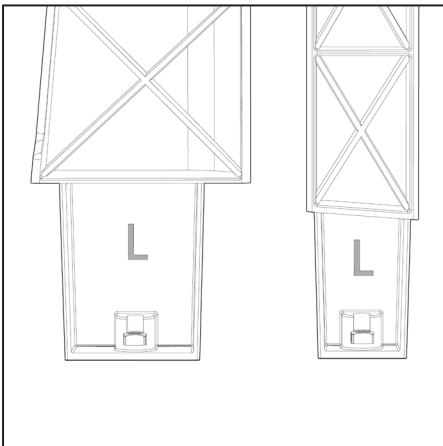
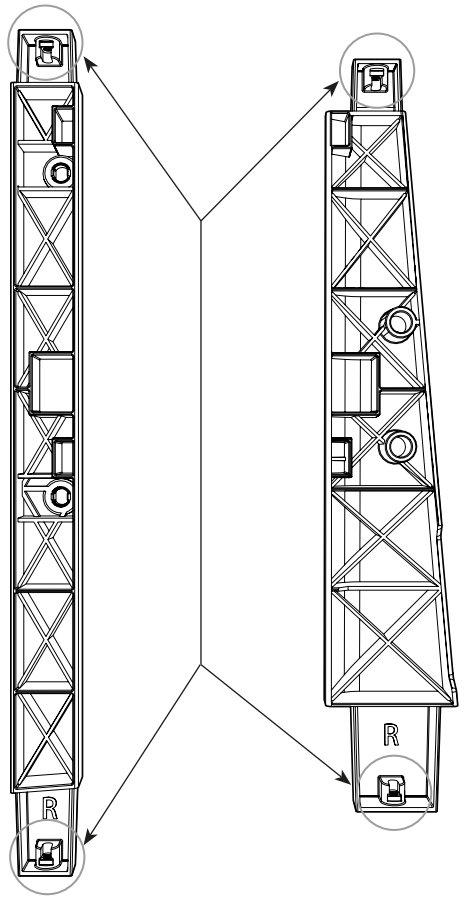
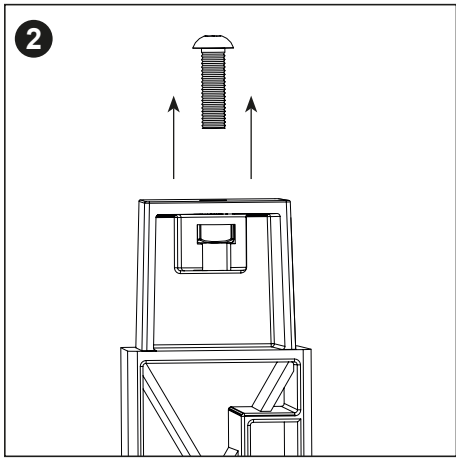
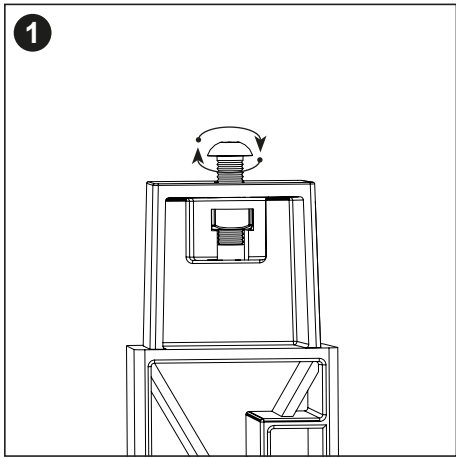
X 10

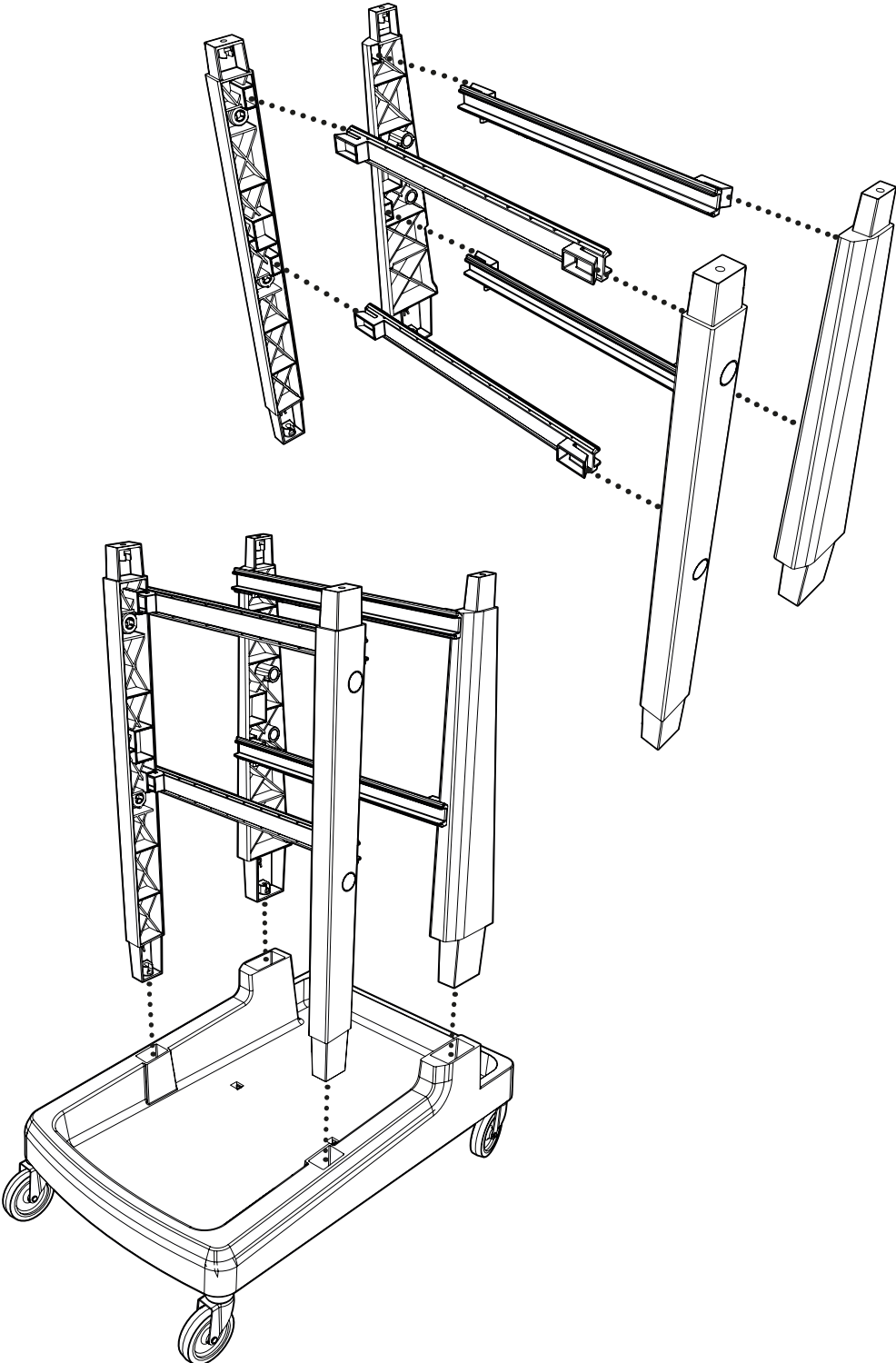


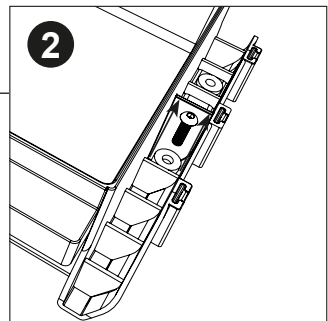
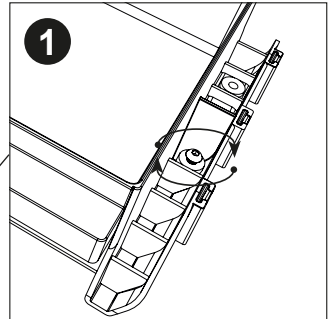
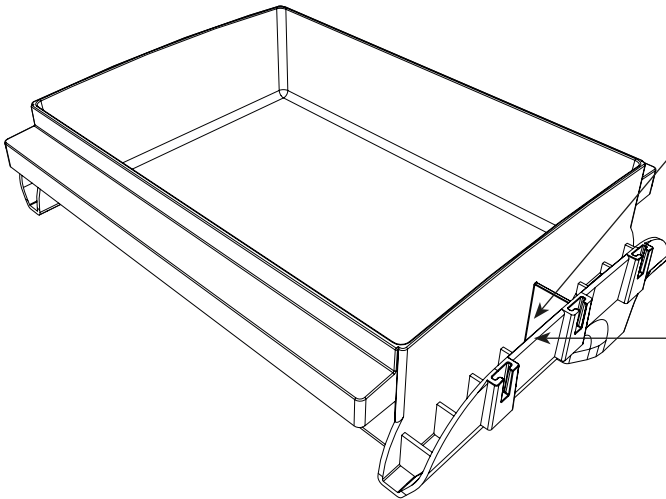
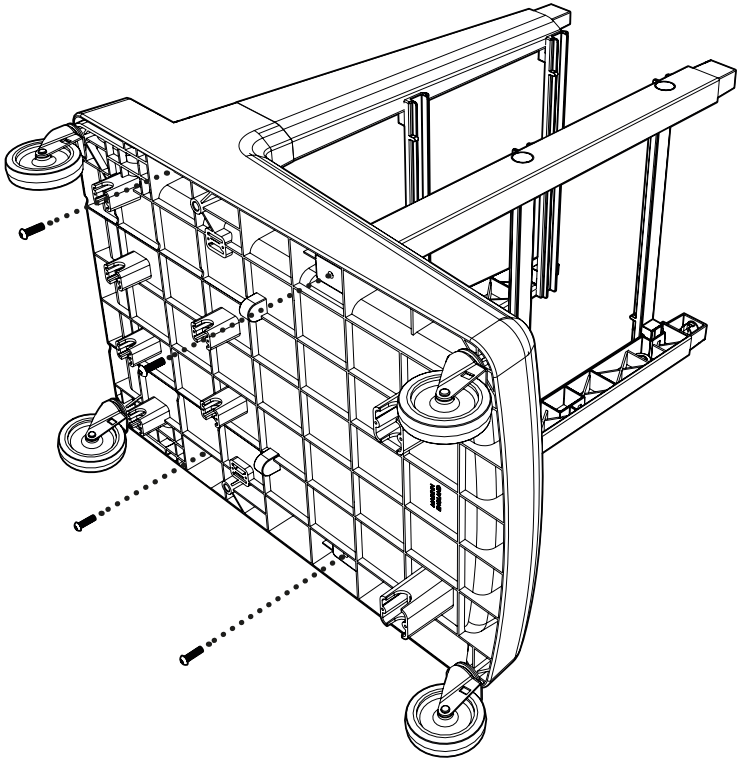
204062

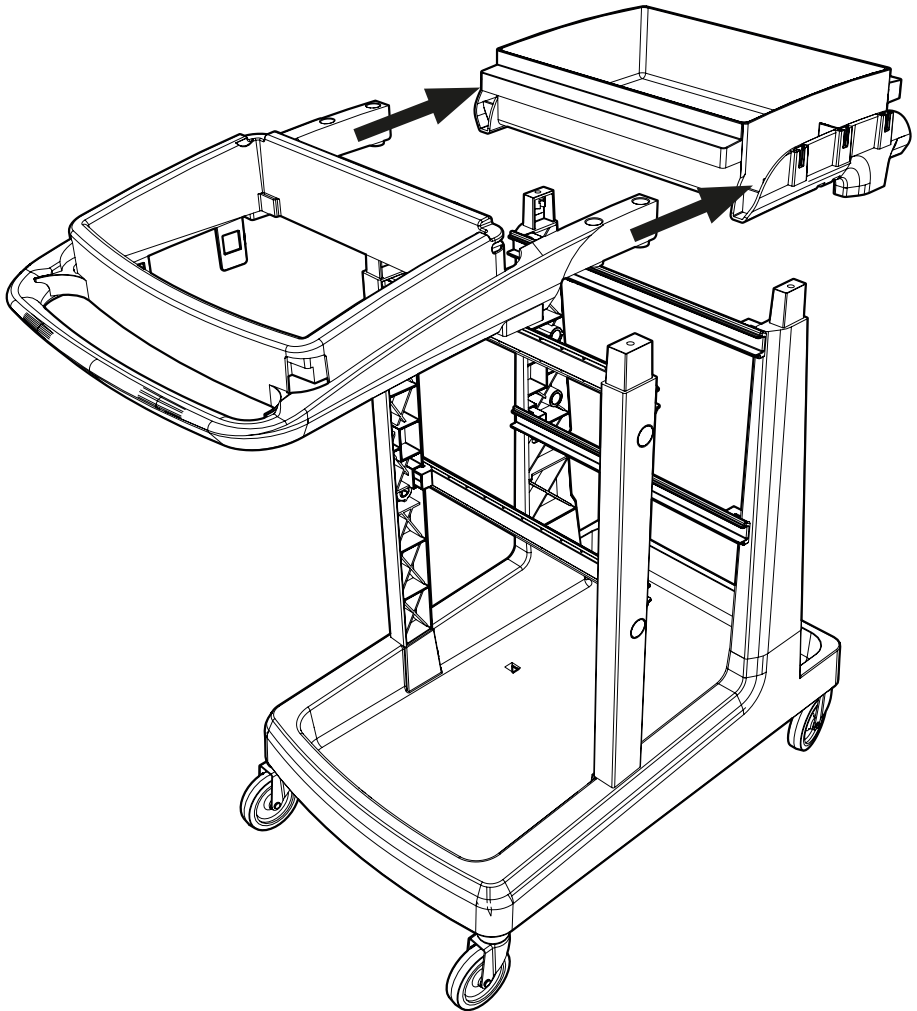
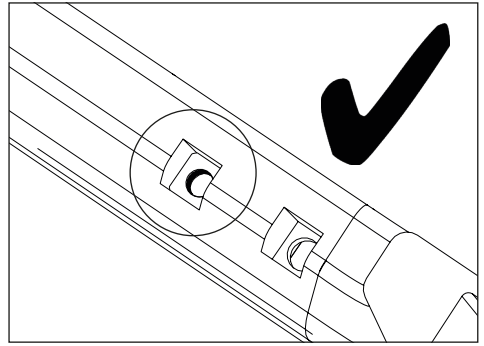
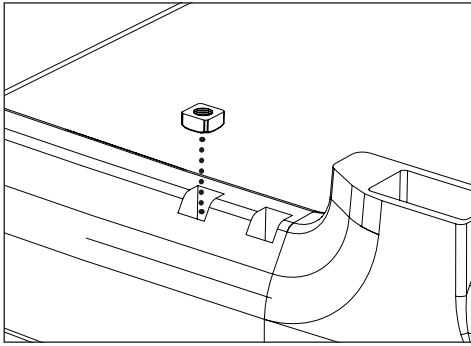


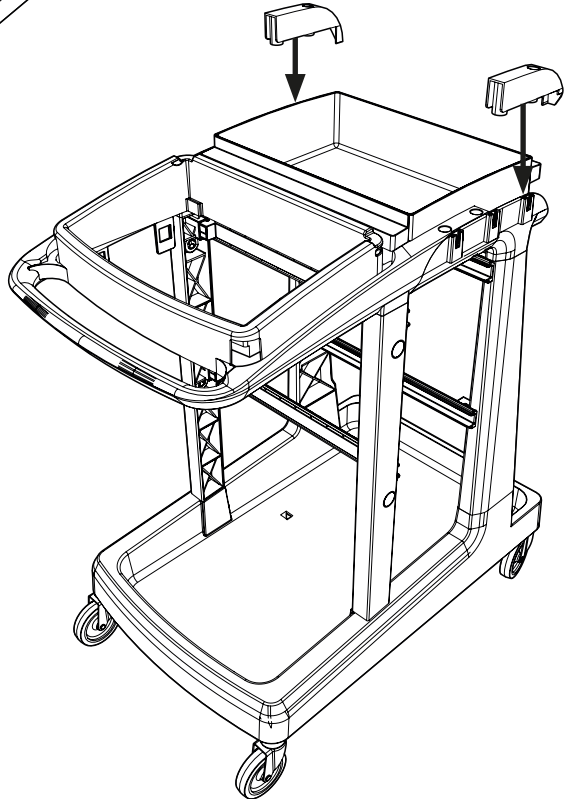
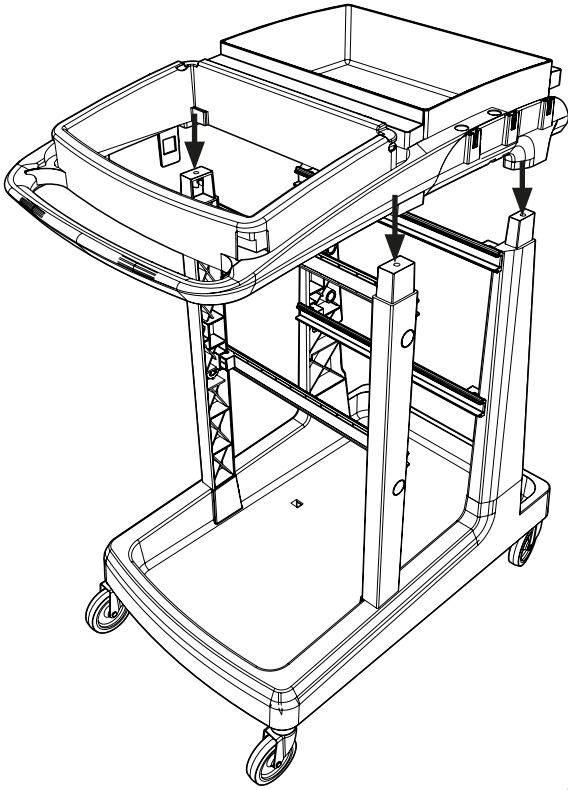
X 4

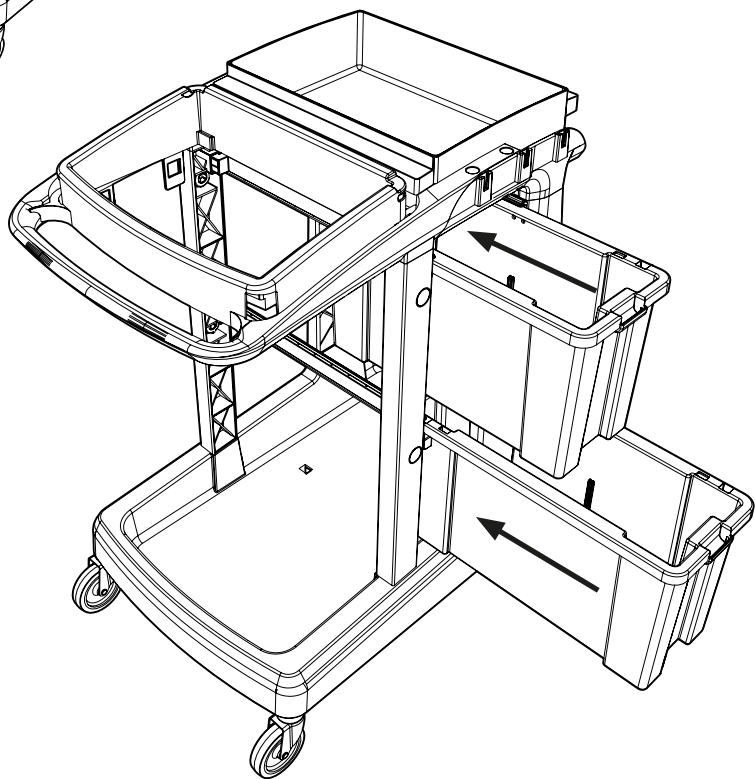
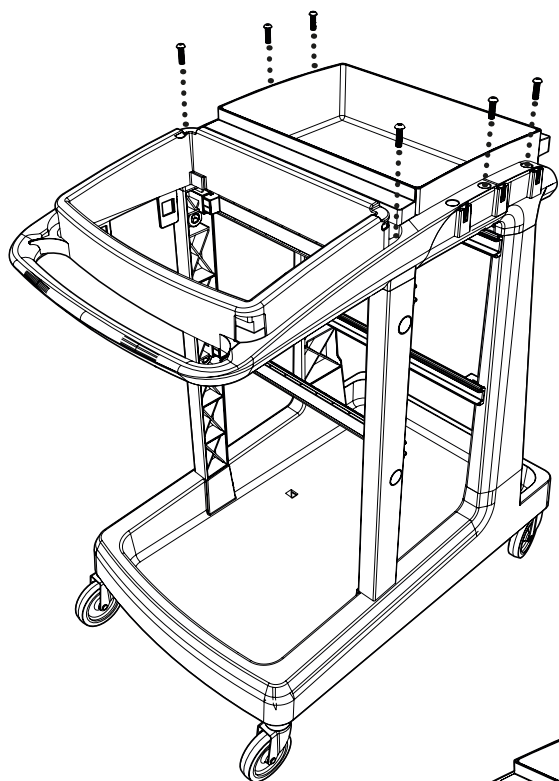


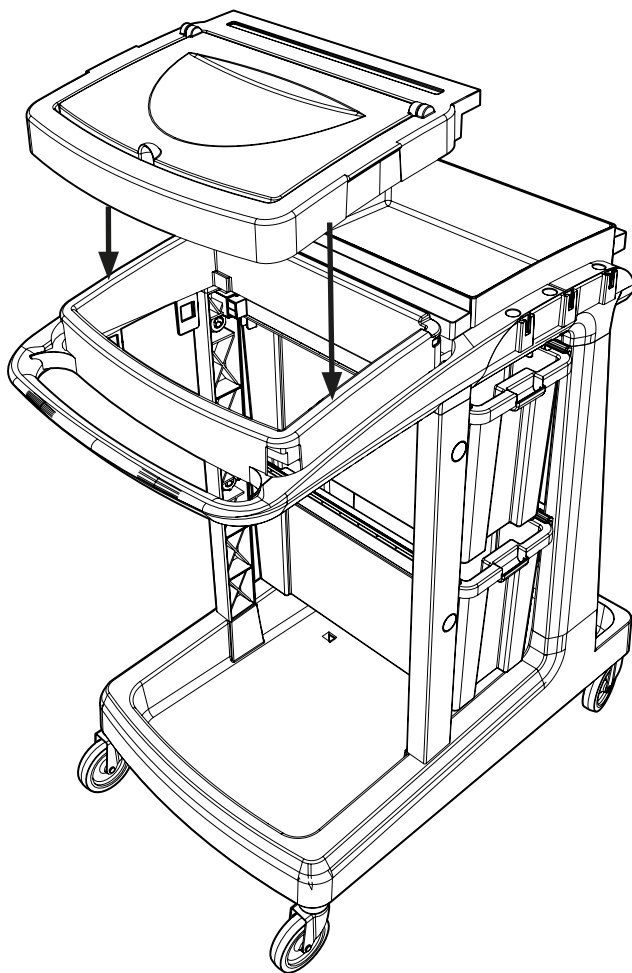












EcoMatic EM-2 Trolley Assembly

