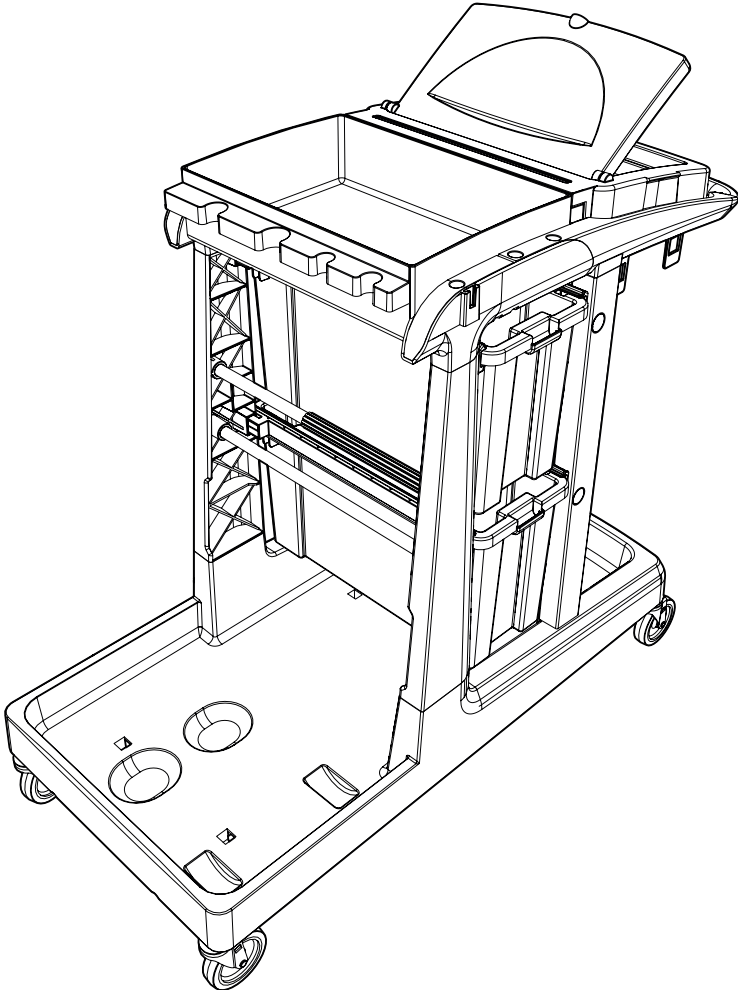


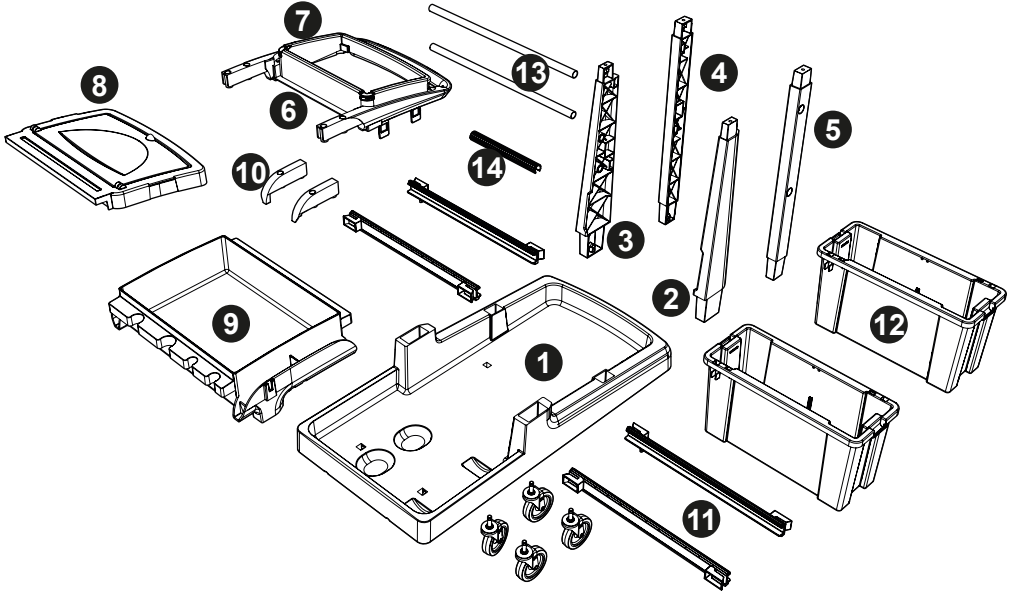
# EcoMatic EM-5

## Trolley Assembly



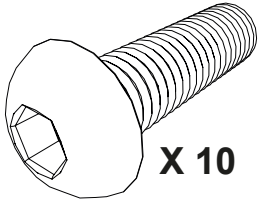


0.25 HR

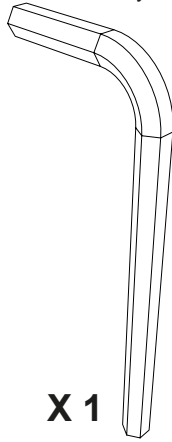


Item	Description	Qty
1	Ecomatic long reflo base	1
2	Rear right hand reflo upright	1
3	Rear left hand reflo upright	1
4	Front right hand reflo upright	1
5	Front left hand reflo upright	1
6	Reflo bag frame	1
7	Reflo bag securing frame	1
8	Lid moulding	1
9	Reflo top tray	1
10	Ecomatic cover moulding	2
11	Black reflo runner moulding	4
12	Narrow reflo storage box	2
13	Press support tube	2
14	Mop tube profile	1

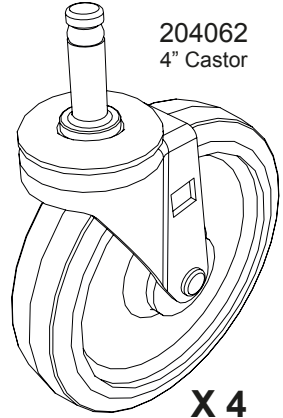
219555  
M8 25mm Socket Bolt



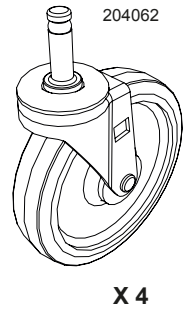
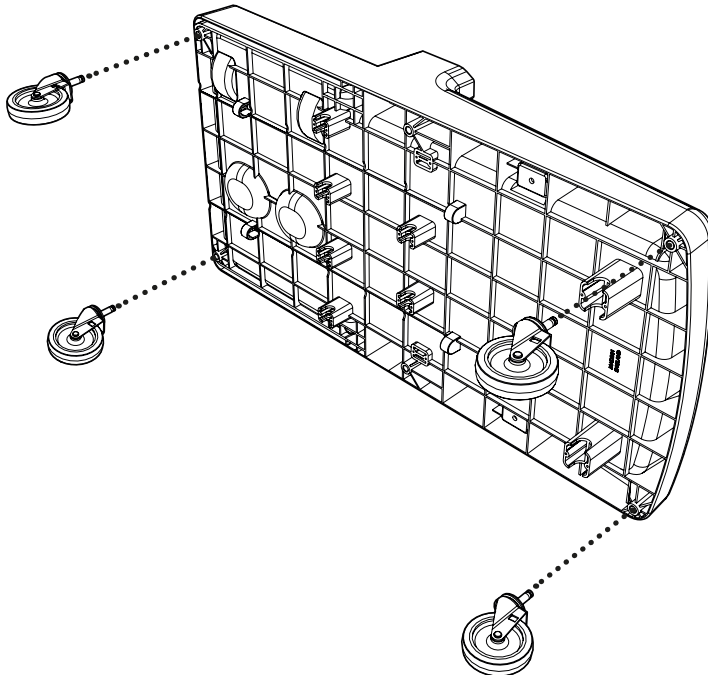
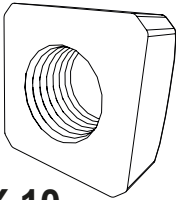
219554  
Allen Key

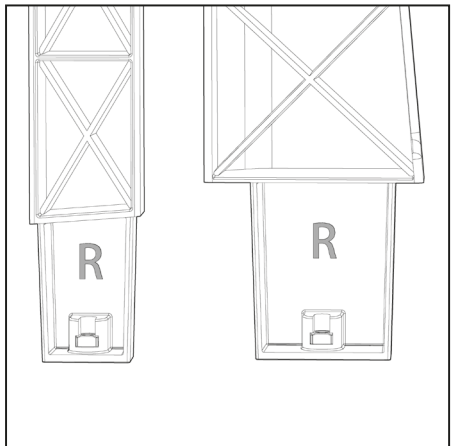
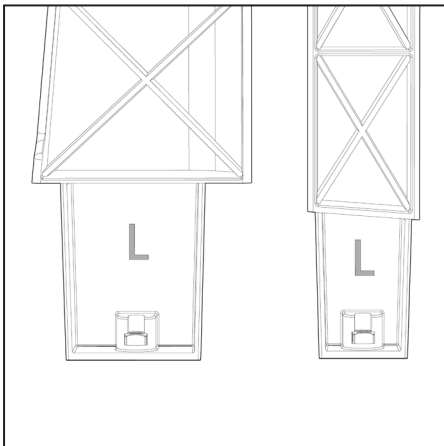
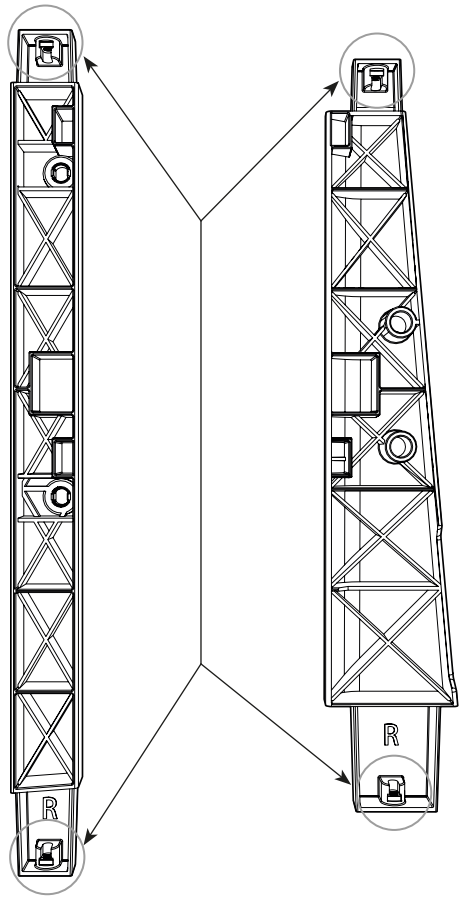
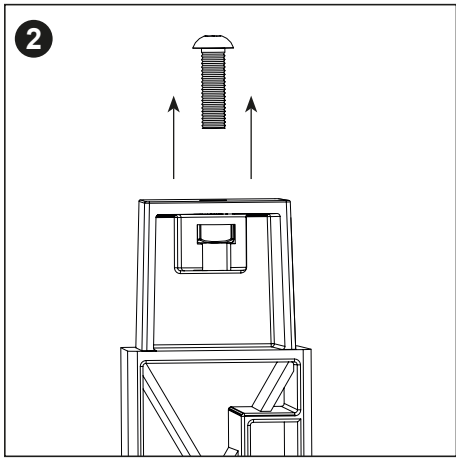
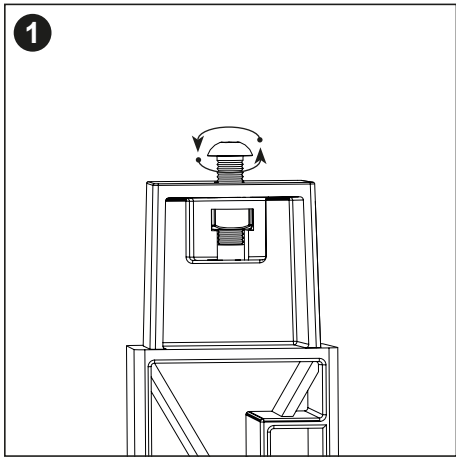


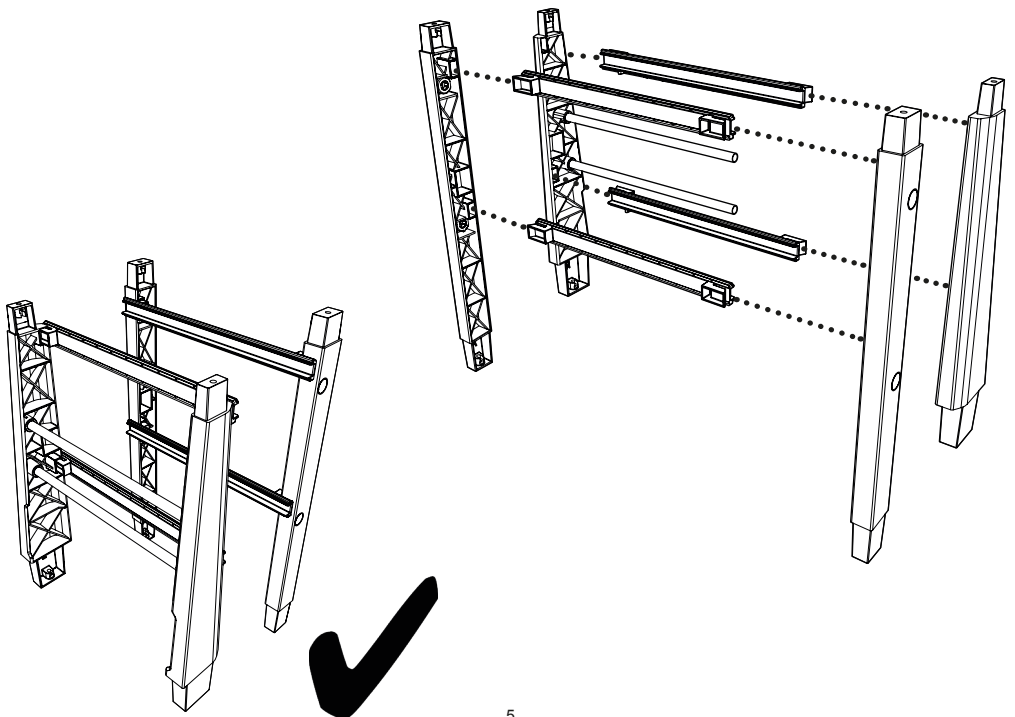
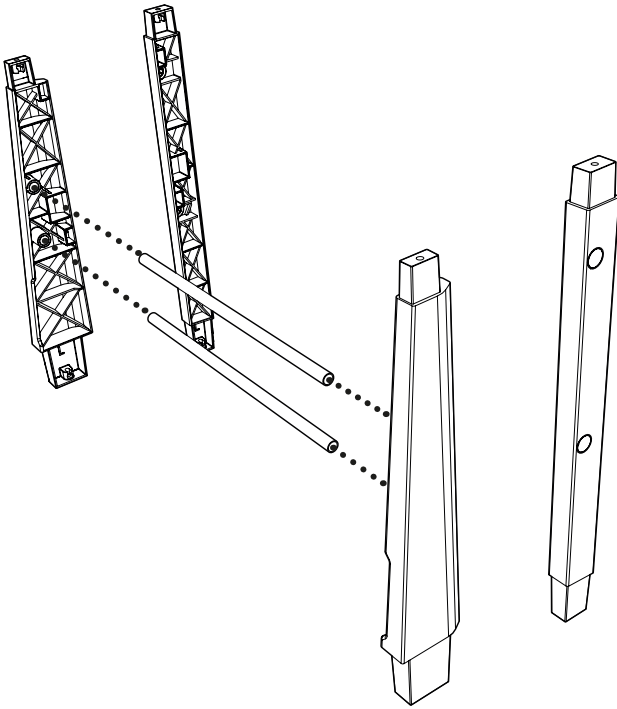
204062  
4" Castor

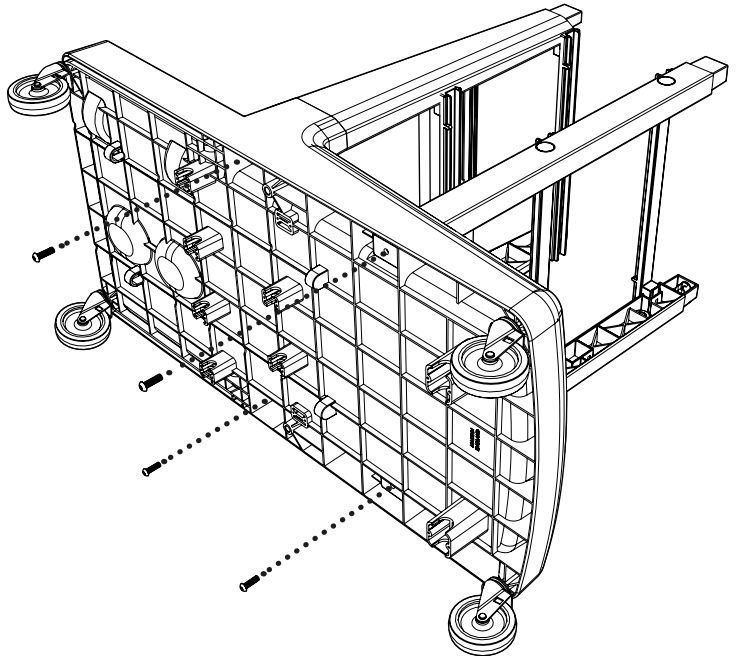
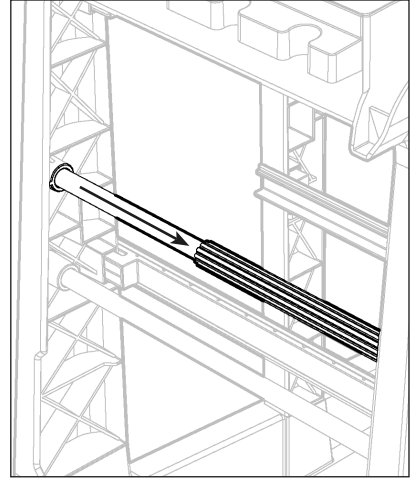
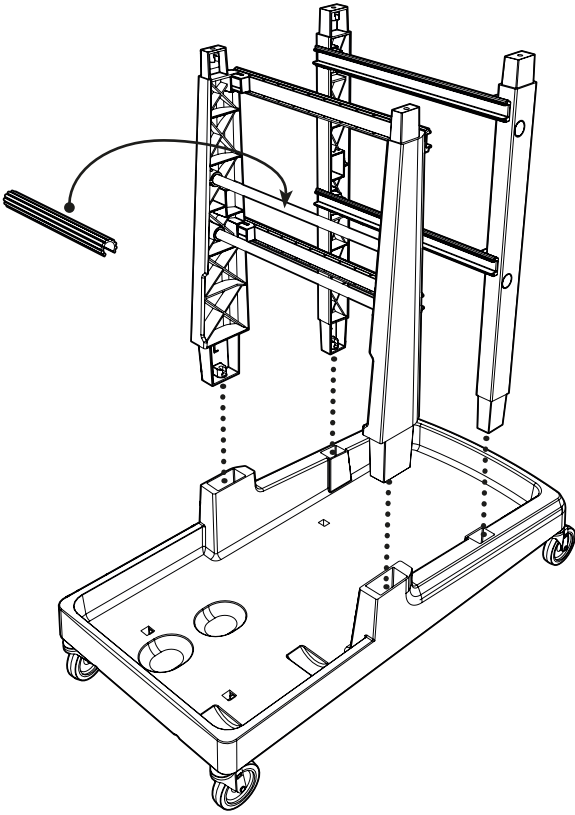


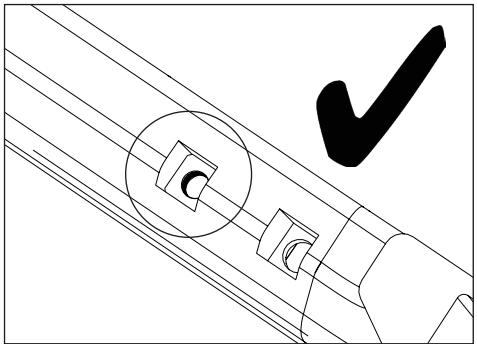
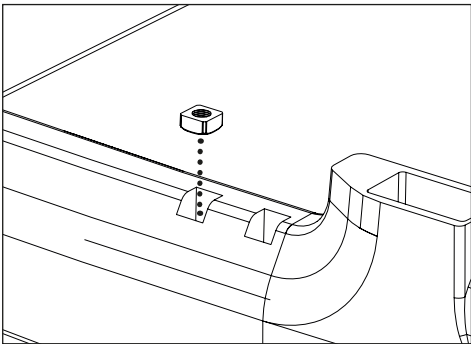
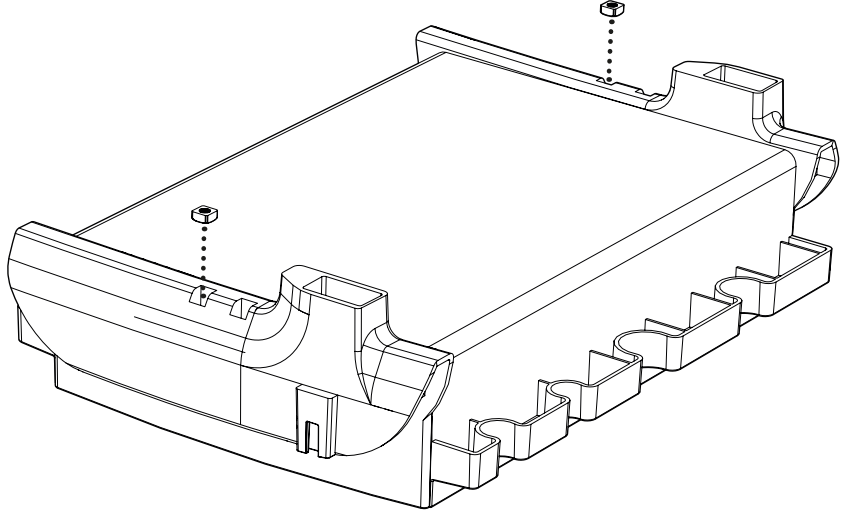
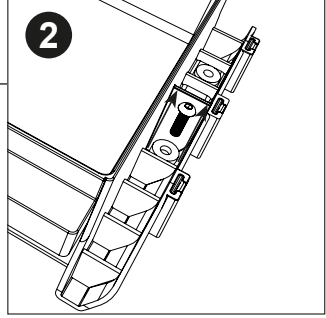
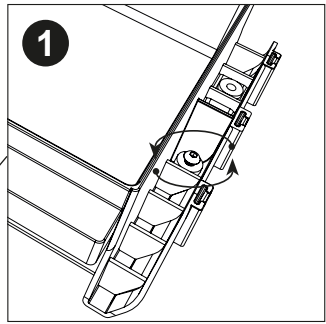
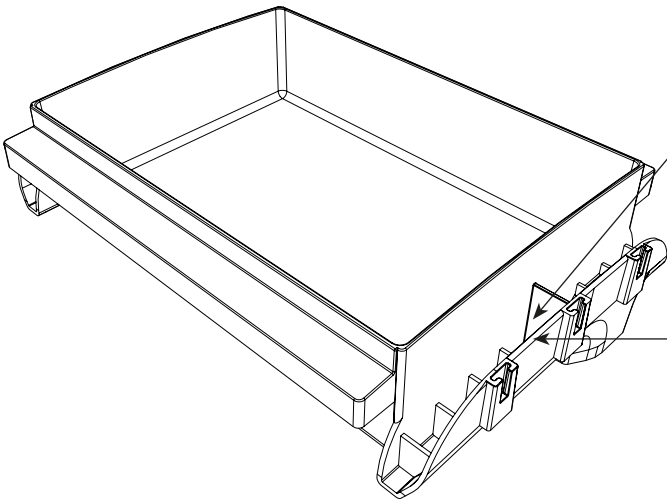
909372  
M8 Square Nut

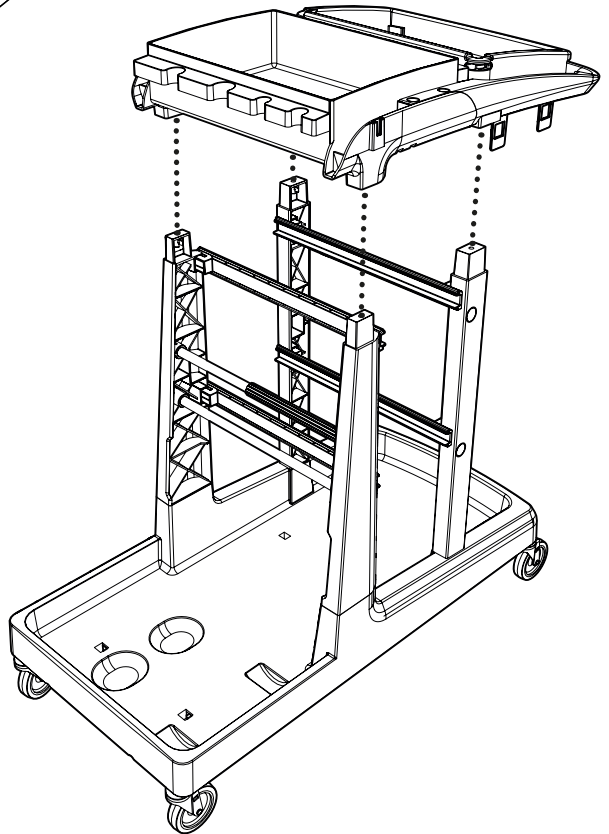
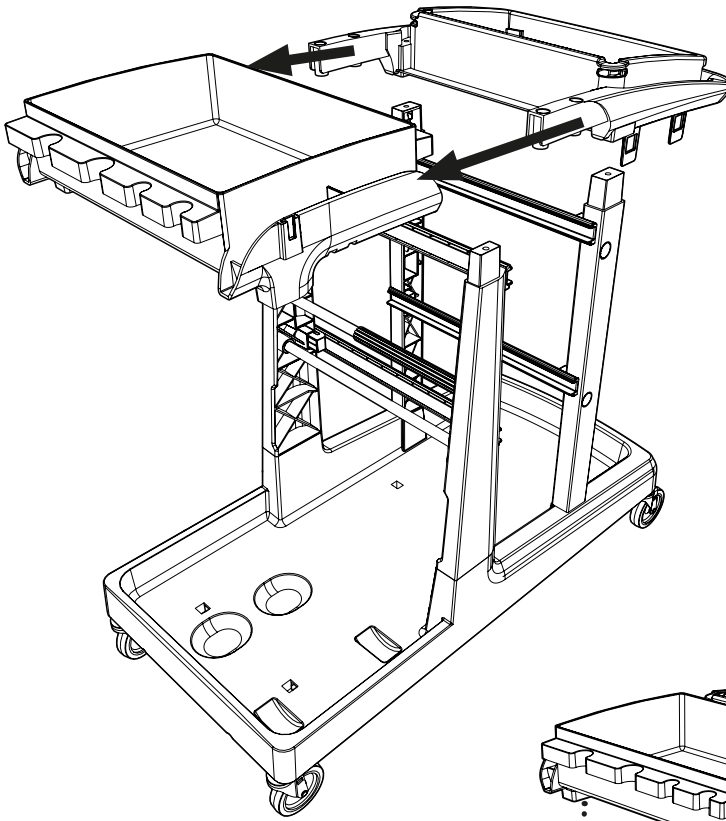




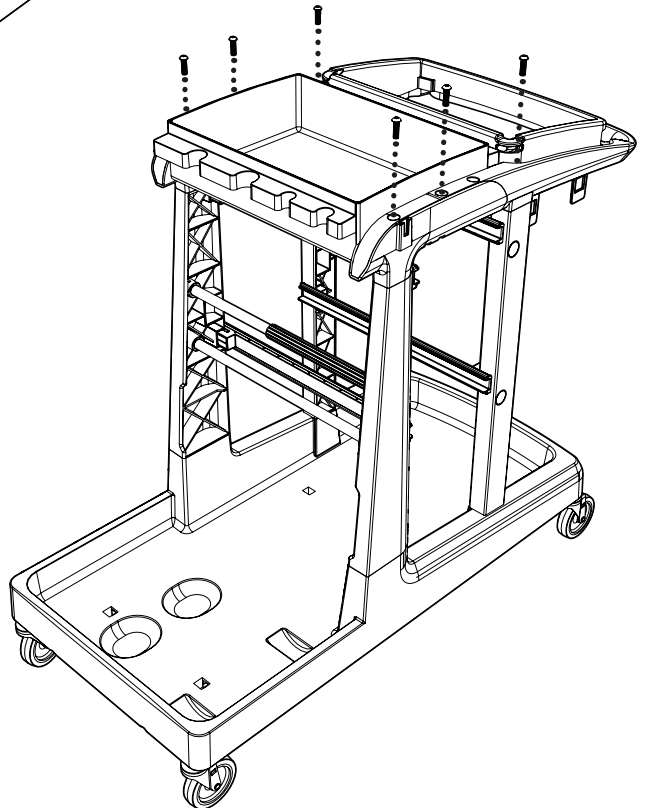
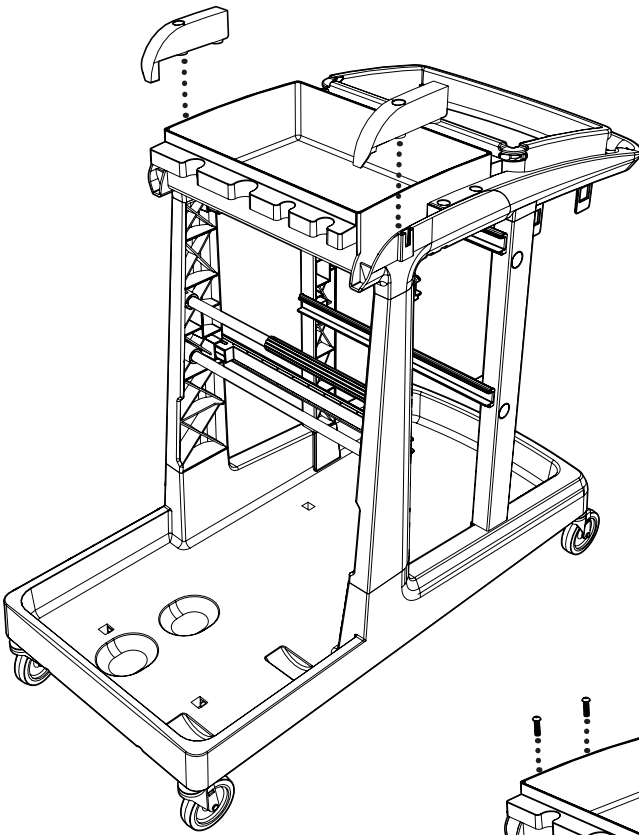


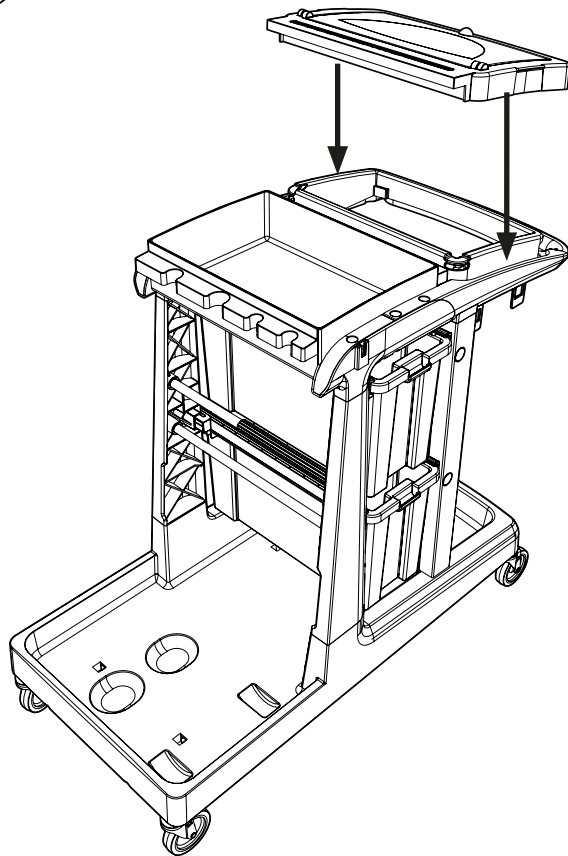
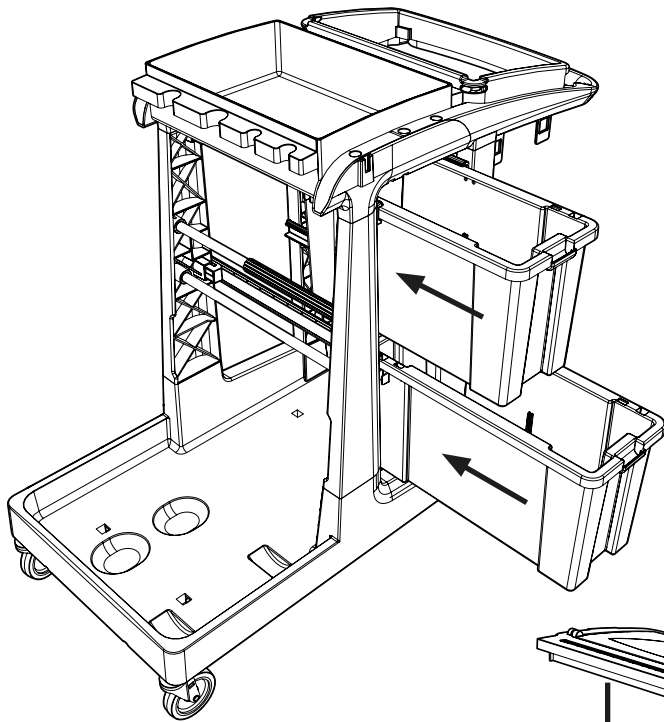














# EcoMatic EM-5 Trolley Assembly

